



US00D946371S

(12) **United States Design Patent**
Elze et al.

(10) **Patent No.:** **US D946,371 S**
(45) **Date of Patent:** **** Mar. 22, 2022**

(54) **DUNNAGE BAG INSTALLATION DEVICE**

(71) Applicants: **Helmut Elze**, Lafayette, CA (US);
Nurettin Gungor, Maltepe (TR)

(72) Inventors: **Helmut Elze**, Lafayette, CA (US);
Nurettin Gungor, Maltepe (TR)

(**) Term: **15 Years**

(21) Appl. No.: **29/749,776**

(22) Filed: **Sep. 9, 2020**

(51) **LOC (13) Cl.** **08-05**

(52) **U.S. Cl.**
USPC **D8/71; D8/363**

(58) **Field of Classification Search**
USPC D20/10, 17, 40, 41, 99; D8/71, 363, 349,
D8/373, 376
CPC F16M 13/04; F16M 13/022; B65D 81/052
See application file for complete search history.

(56) **References Cited**

U.S. PATENT DOCUMENTS

4,790,092	A *	12/1988	Farmer	G09F 7/18 40/606.19
D342,285	S *	12/1993	Boyar	D20/41
D410,253	S *	5/1999	Gagnon	D20/41
D427,642	S *	7/2000	Pugliese	D20/43
D434,082	S *	11/2000	Tsiogas	D20/41
D470,189	S *	2/2003	Nguyen	D20/41
D479,277	S *	9/2003	Strunk	D20/41
D501,228	S *	1/2005	Santana	D20/41
7,318,266	B2 *	1/2008	Bergh	A45F 3/44 248/156
D624,597	S *	9/2010	Evans	D20/41
D638,689	S *	5/2011	Wormser	D8/354
D641,793	S *	7/2011	Dumontier	D20/41

9,792,842	B2 *	10/2017	Carson	G09F 17/00
10,400,951	B2 *	9/2019	Beard	F16M 13/022
2004/0206860	A1 *	10/2004	Bolinder	G09F 7/18 248/156

* cited by examiner

Primary Examiner — Keli L Hill

Assistant Examiner — Harold E Blackwell, II

(74) *Attorney, Agent, or Firm* — Quickpatents, LLC;
Kevin Prince

(57) **CLAIM**

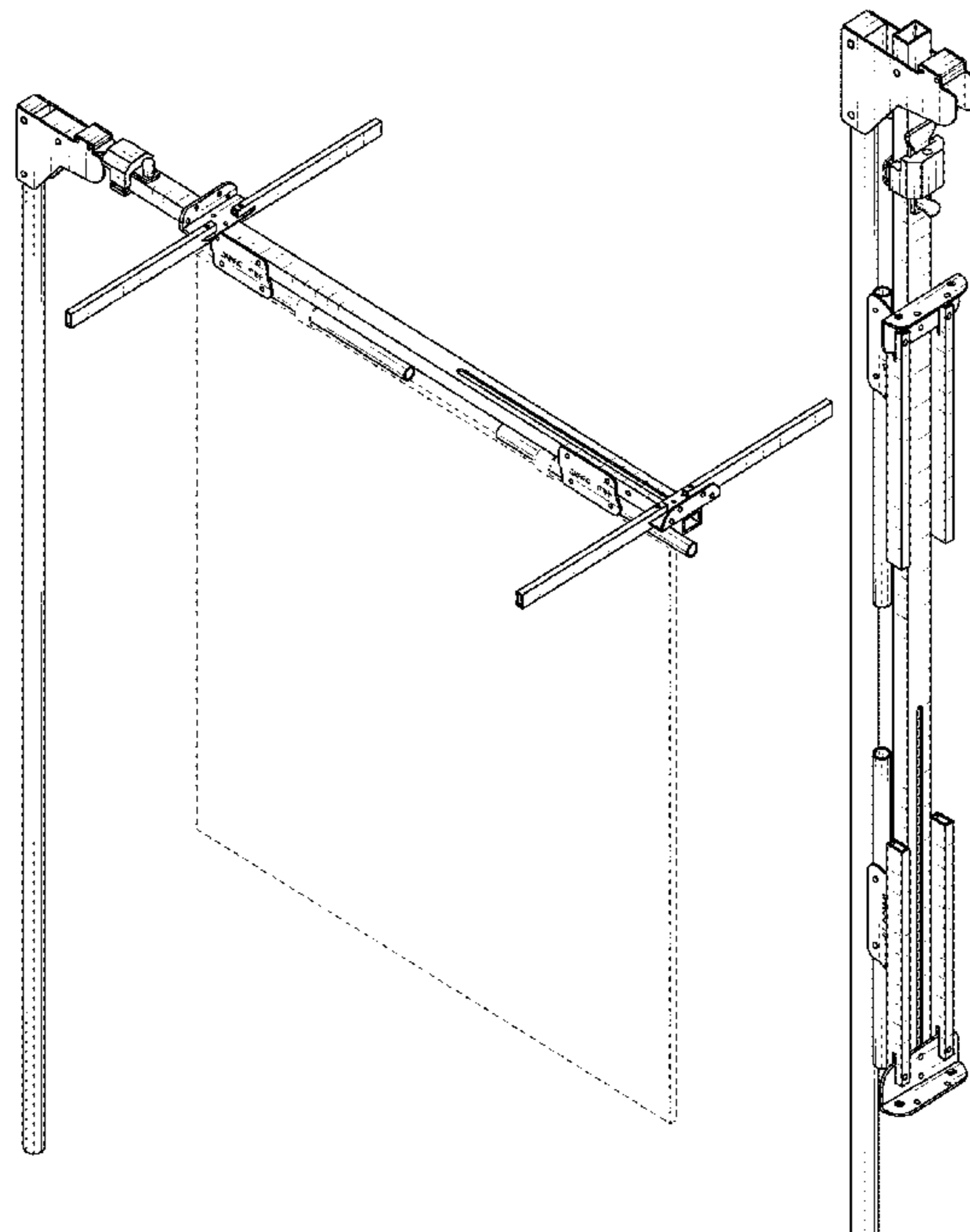
The ornamental design for a dunnage bag installation device, as shown and described.

DESCRIPTION

FIG. 1 is a perspective view of a dunnage bag installation device in an open configuration, showing our new design; FIG. 2 is a front elevational view of FIG. 1; FIG. 3 is a rear elevational view of FIG. 1; FIG. 4 is a left-side elevational view of FIG. 1, the right-side elevational view being a mirror image thereof; FIG. 5 is a top plan view of FIG. 1; FIG. 6 is a bottom plan view of FIG. 1; FIG. 7 is a perspective view in a closed configuration thereof; FIG. 8 is a front elevational view of FIG. 7; FIG. 9 is a rear elevational view of FIG. 7; FIG. 10 is a left-side elevational view of FIG. 7, the right-side elevational view being a mirror image thereof; FIG. 11 is a top plan view of FIG. 7; and, FIG. 12 is a bottom plan view of FIG. 7.

The broken lines showing a dunnage bag in the figures depict environmental matter and form no part of the claimed design.

1 Claim, 9 Drawing Sheets



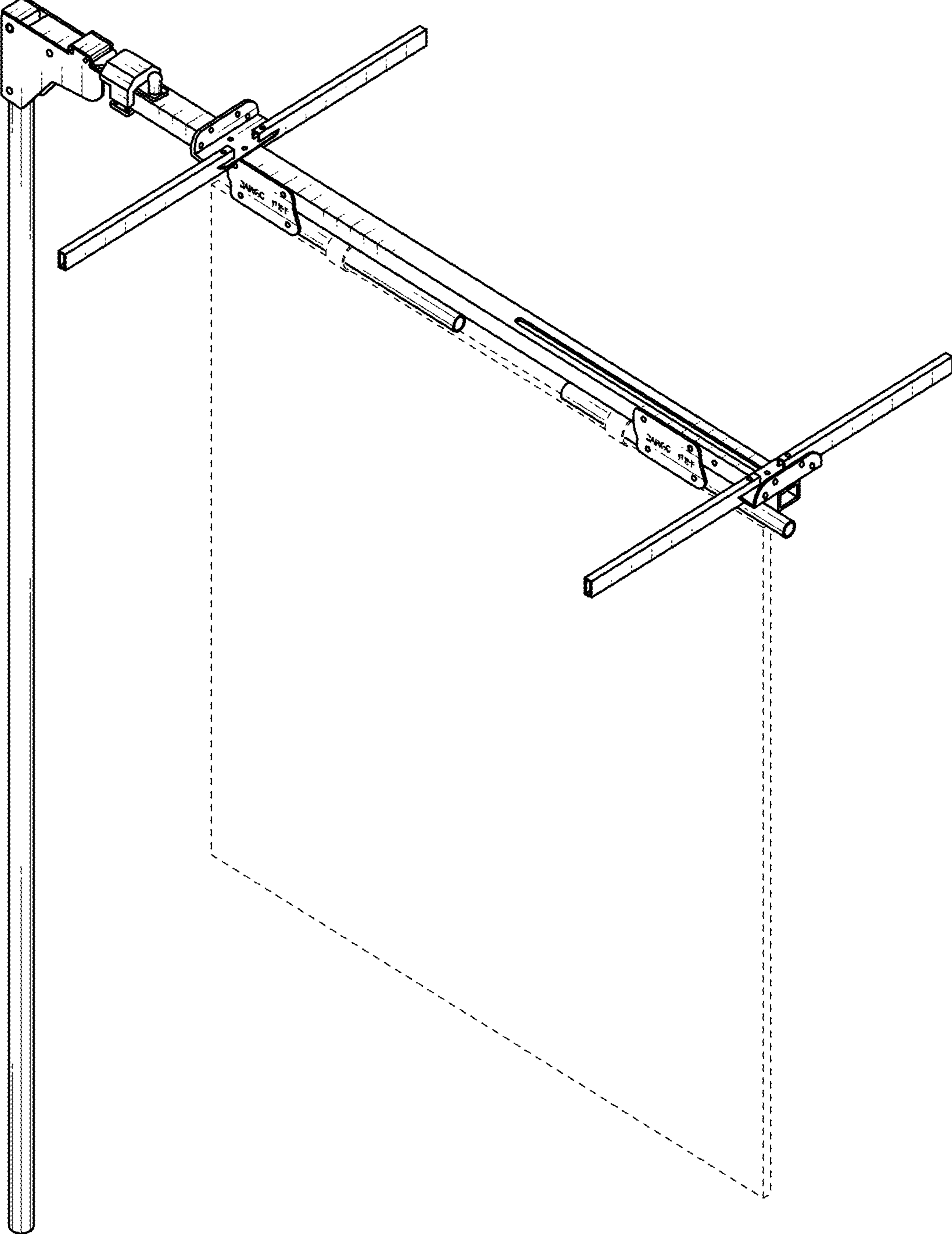


FIG. 1

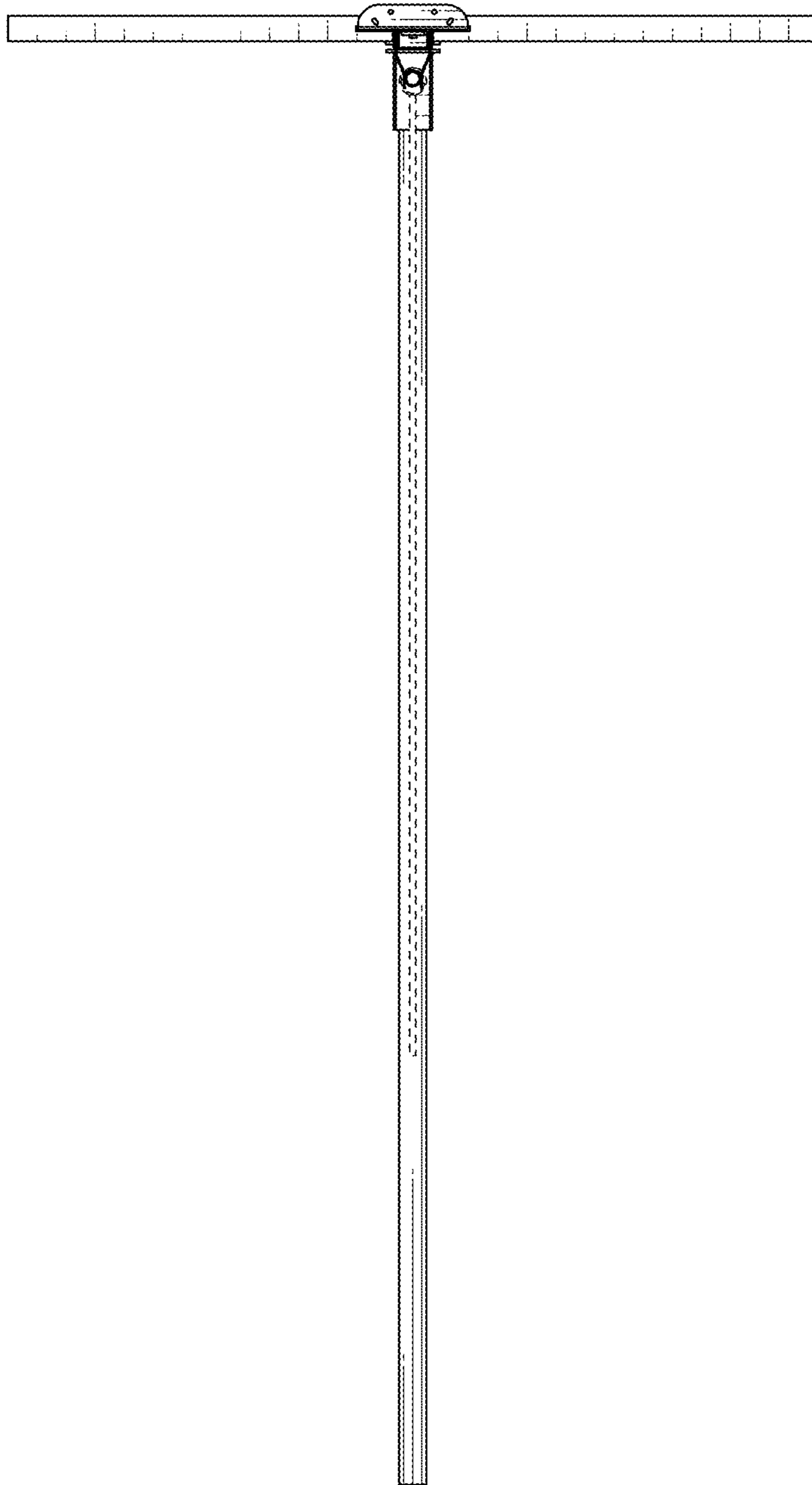


FIG. 2

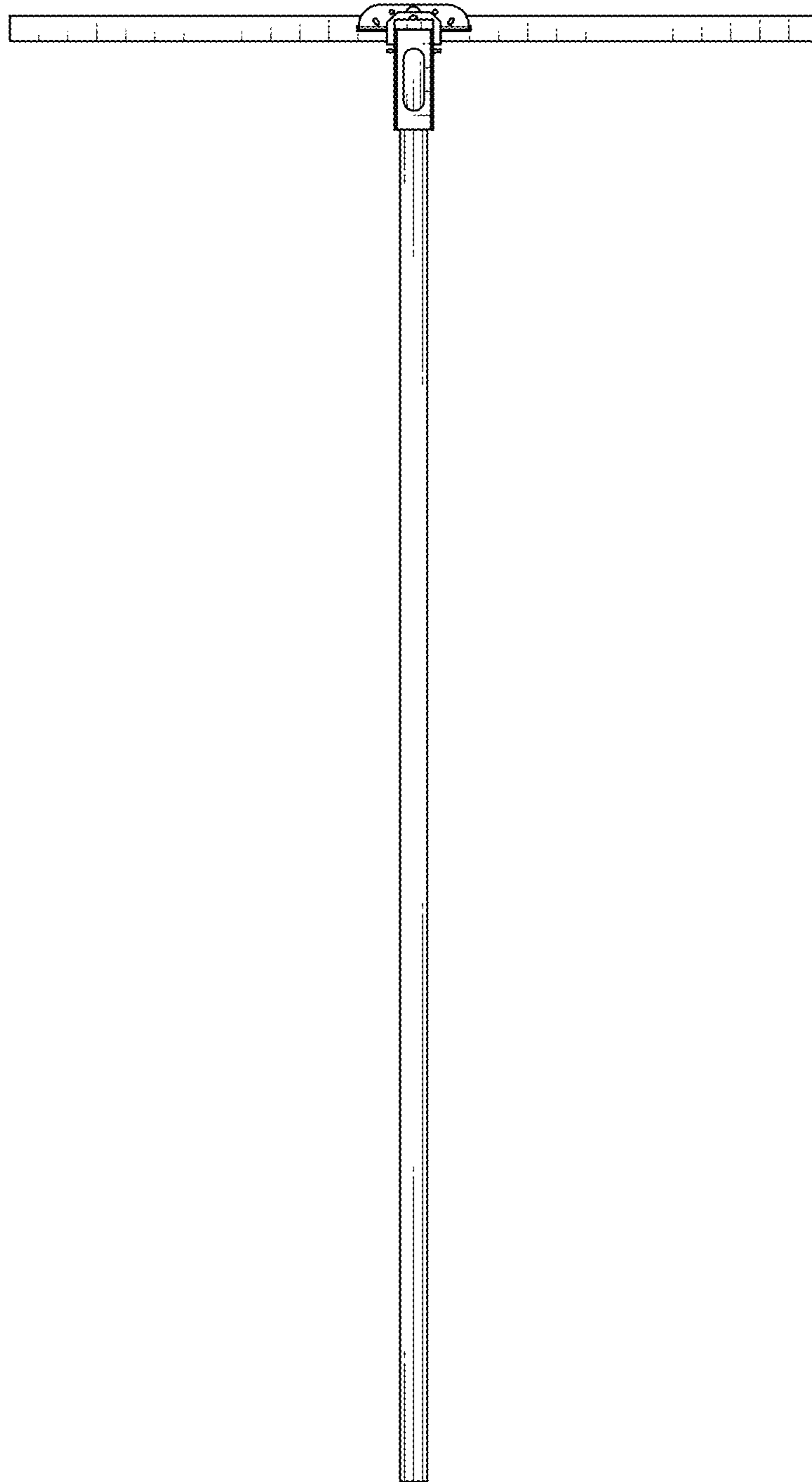


FIG. 3

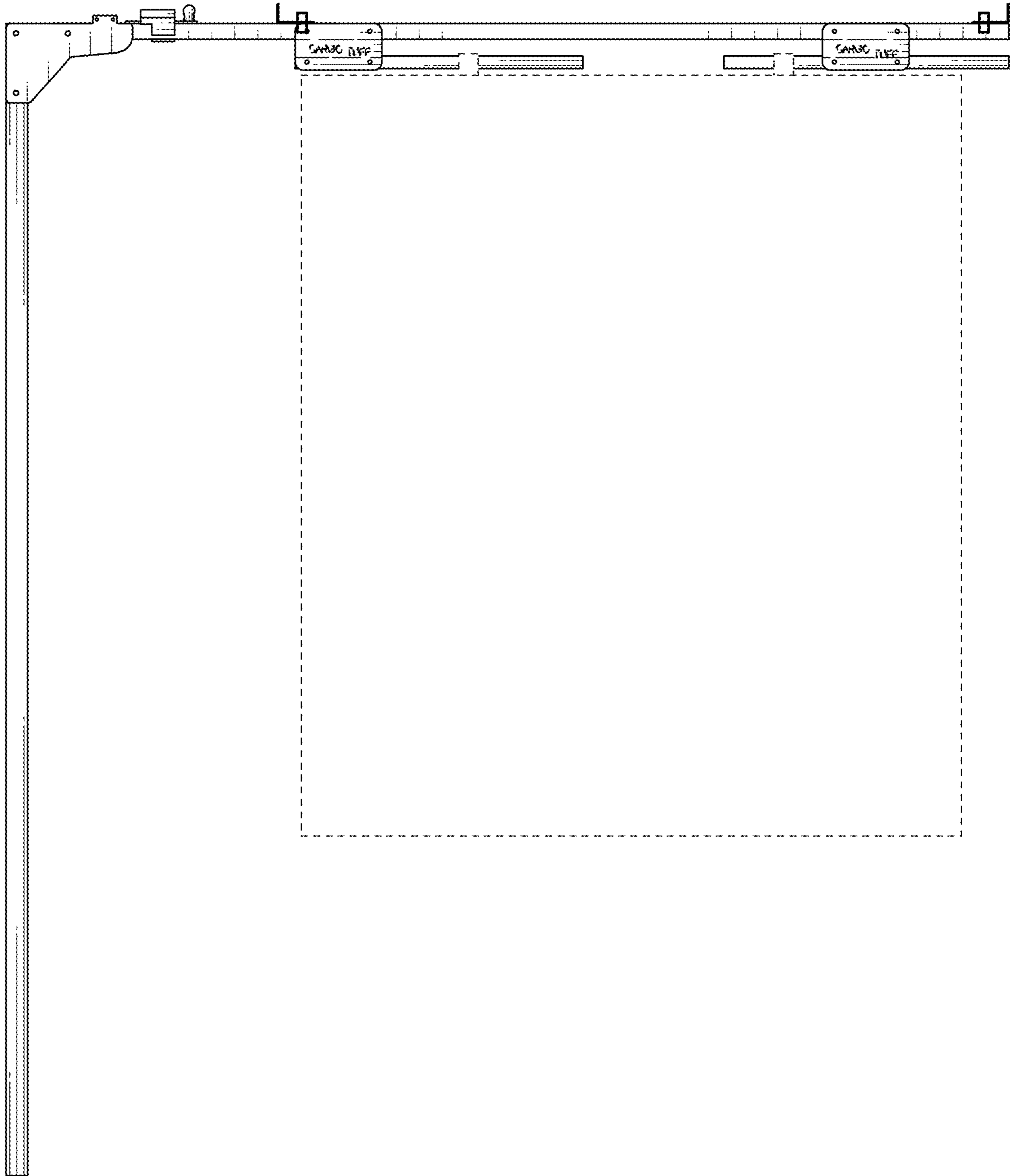


FIG. 4

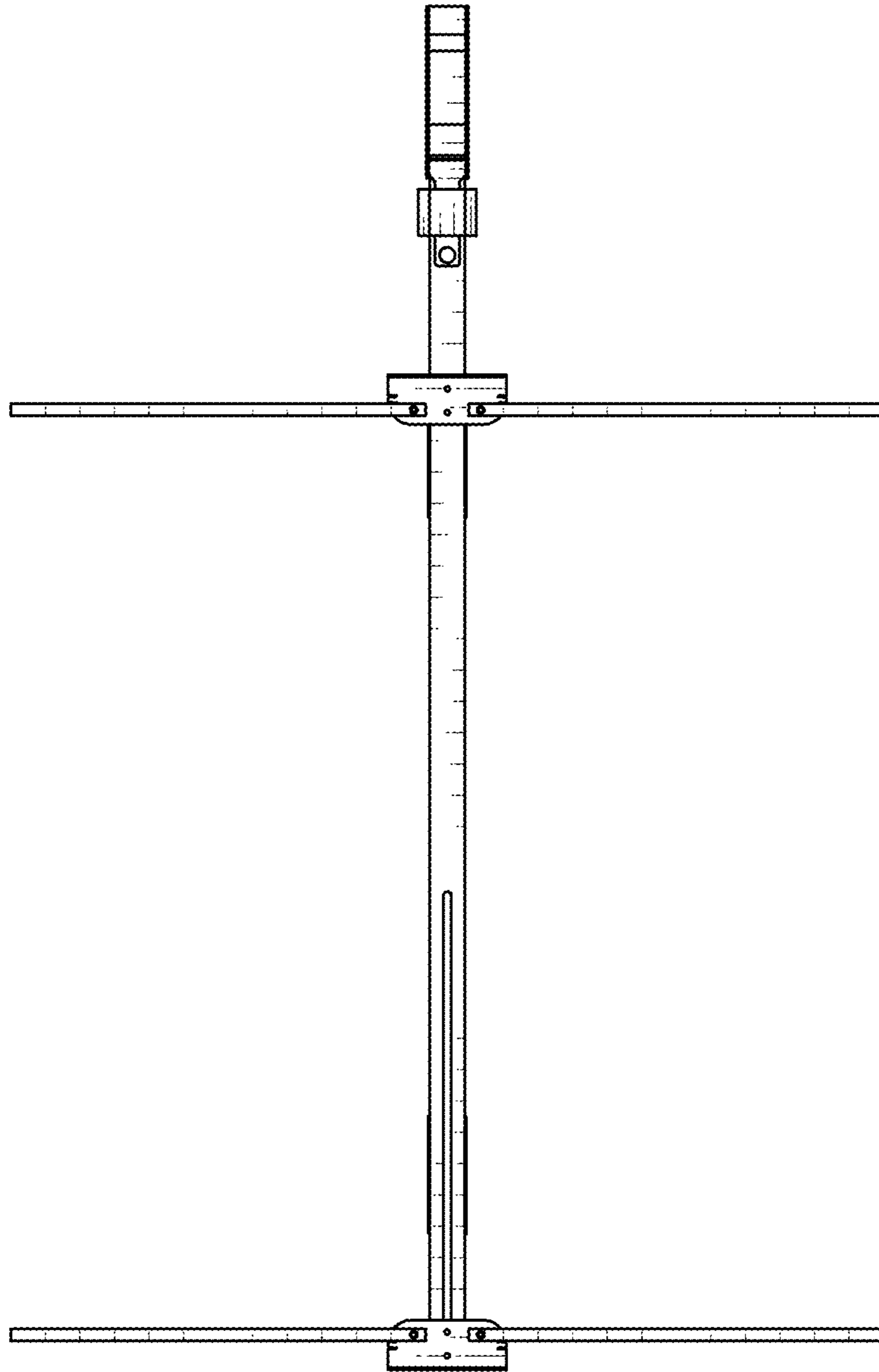


FIG. 5

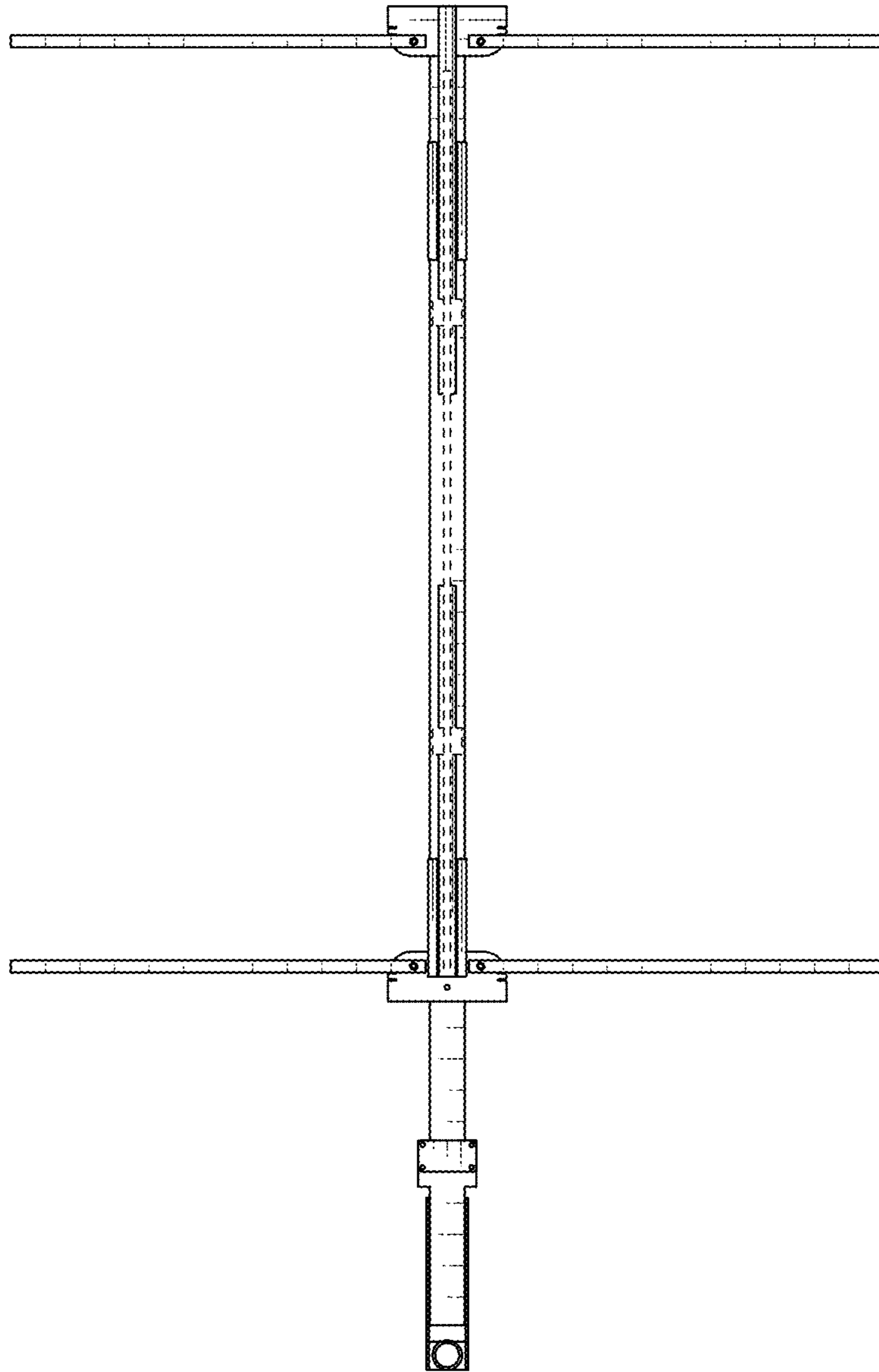


FIG. 6

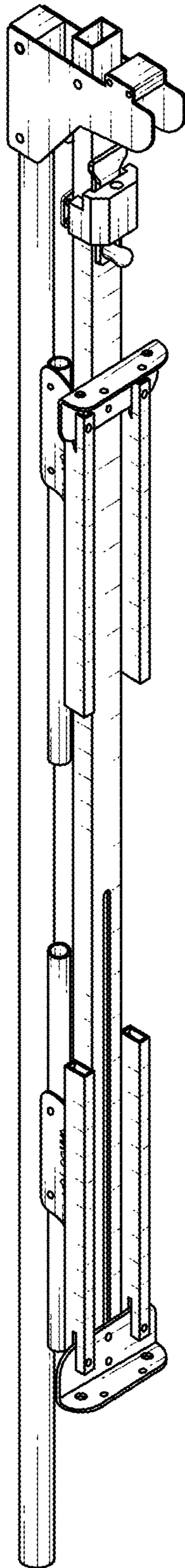


FIG. 7

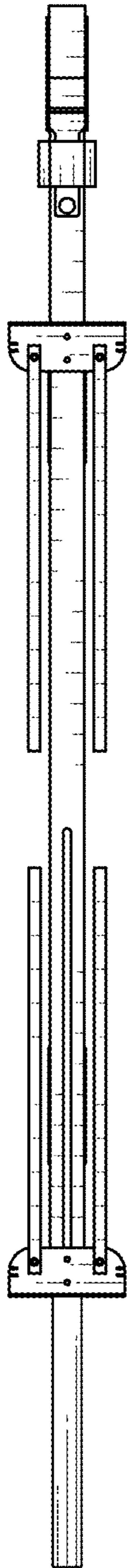


FIG. 8

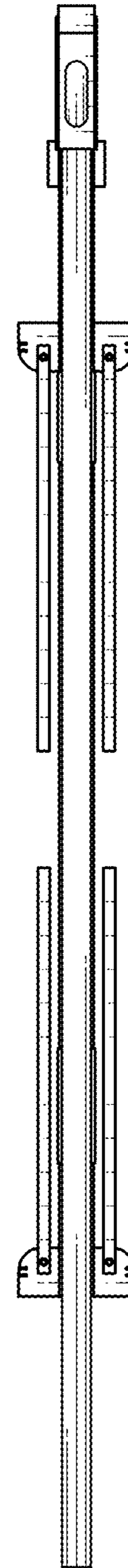


FIG. 9

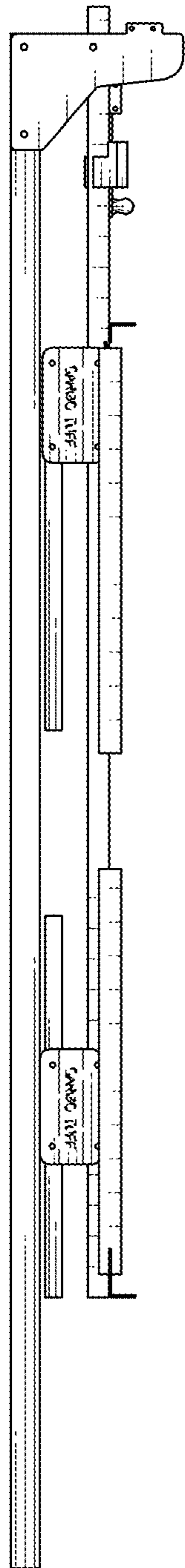


FIG. 10

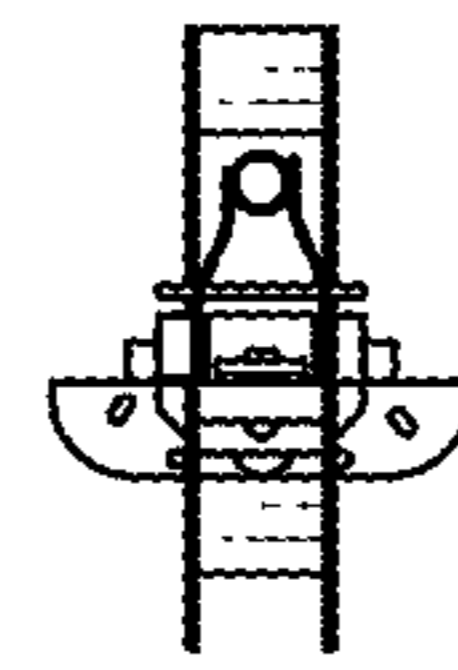


FIG. 11

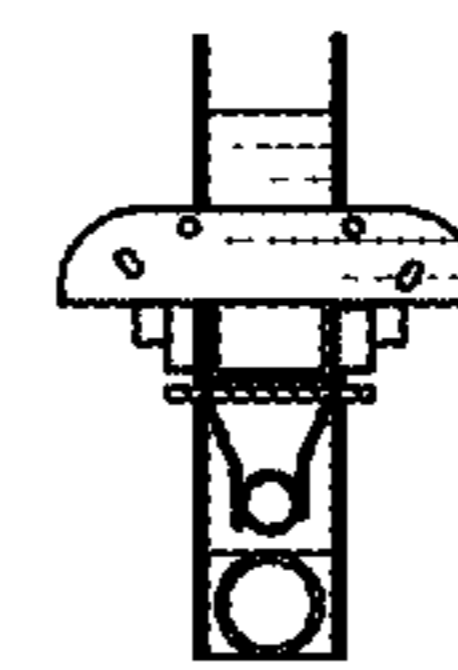


FIG. 12