



US00D946370S

(12) **United States Design Patent**
McLain

(10) **Patent No.:** **US D946,370 S**
(45) **Date of Patent:** **** Mar. 22, 2022**

(54) **ABRADING, BUFFING AND FINISHING SPHEROCYLINDER**

4,199,835 A 4/1980 Heyer et al.
4,457,038 A * 7/1984 Hammond A46B 7/04
15/144.1

(71) Applicant: **Lake Country Manufacturing, Inc.**,
Oconomowoc, WI (US)

D317,489 S 6/1991 Stillinger
5,235,717 A 8/1993 Lanzo et al.
D353,940 S * 1/1995 Joyner D28/63
D364,716 S * 11/1995 Lazar D21/491

(72) Inventor: **Scott S. McLain**, Mukwonago, WI
(US)

5,548,862 A 8/1996 Curtis
(Continued)

(73) Assignee: **Lake Country Manufacturing, Inc.**,
Oconomowoc, WI (US)

OTHER PUBLICATIONS

(**) Term: **15 Years**

Evolugos https://www.evolugos.com/index.php?main_page=product_info&products_id=635188 (Year: 2021).*

(21) Appl. No.: **29/668,184**

(Continued)

(22) Filed: **Oct. 29, 2018**

Primary Examiner — Michelle E. Wilson

(51) **LOC (13) Cl.** **08-05**

Assistant Examiner — Richard E Yenchesky

(52) **U.S. Cl.**

(74) *Attorney, Agent, or Firm* — Harness, Dickey & Pierce, P.L.C.

USPC **D8/70**; D32/40

(58) **Field of Classification Search**

USPC D4/114, 127; D8/70; D19/66; D21/707;
D28/63; D32/11, 12, 14, 18, 40, 52
CPC B24D 13/10; B24D 13/20; A46B 9/005;
A46B 13/00; A46B 13/001; A46B 7/04;
B24B 23/005; B24B 23/02; B24B 13/01;
B24B 29/00; A61C 1/14; A47L 11/4005;
A47L 11/14; A47L 13/24; A47K 7/02;
A63B 22/0046; A61H 15/00

See application file for complete search history.

(57) **CLAIM**

The ornamental design for an abrading, buffing, and finishing spherocylinder, as shown and described.

DESCRIPTION

Pat. application Ser. No. 16/173,227, filed on Oct. 29, 2018, the same day as this application, entitled "Buffing Spherocylindrical made of Compressed Material" is hereby incorporated by reference.

FIG. 1 is a side elevation view of the abrading, buffing, and finishing spherocylinder incorporating my new design;

FIG. 2 is a front elevation view thereof;

FIG. 3 is a top plan view thereof; and,

FIG. 4 is a rear elevation view thereof.

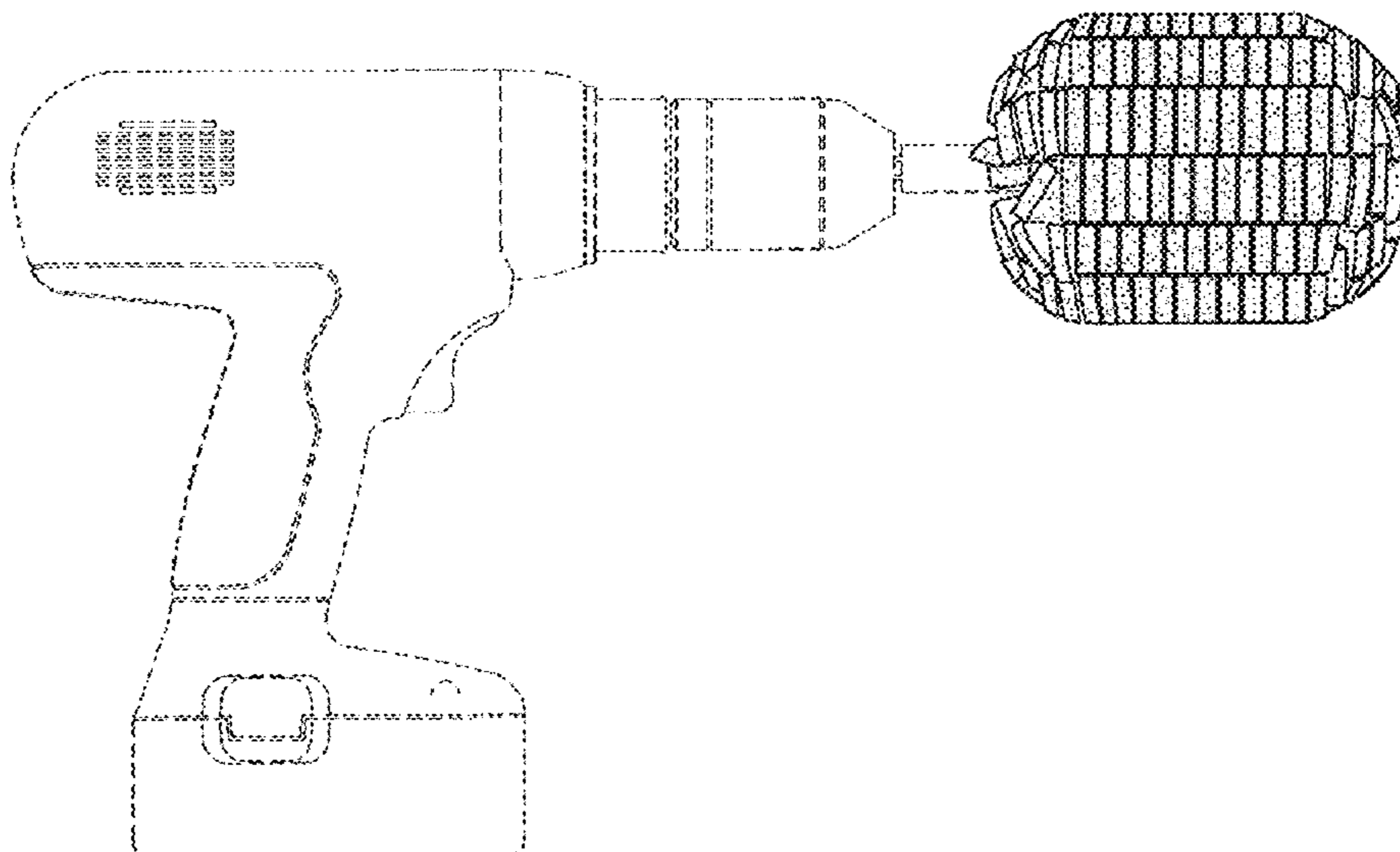
The broken line portions of the drawing disclosure are for illustrative purposes only and form no part of the claimed design.

(56) **References Cited**

U.S. PATENT DOCUMENTS

574,449 A 1/1897 Pritschau
1,517,859 A 12/1924 O'Shea
1,523,842 A 1/1925 Schroeder
1,713,975 A 5/1929 Mayer
1,995,808 A 3/1935 Homon
2,478,232 A 8/1949 Boynton
3,026,552 A * 3/1962 Price A47L 11/4005
15/97.1
D202,875 S 11/1965 Ganske

1 Claim, 2 Drawing Sheets



(56)

References Cited

U.S. PATENT DOCUMENTS

D373,398 S * 9/1996 Sedighzadeh D21/707
 D378,536 S * 3/1997 Fireman D21/479
 D381,380 S 7/1997 Fireman et al.
 5,938,515 A 8/1999 McLain et al.
 5,967,887 A * 10/1999 Synowski B24D 13/20
 451/358
 D422,207 S 4/2000 Mendis
 D423,144 S * 4/2000 Sun D28/63
 D425,276 S * 5/2000 George D32/40
 6,098,236 A 8/2000 Chen
 6,105,196 A 8/2000 Chang
 6,131,234 A 10/2000 Chen
 6,227,621 B1 5/2001 Chen
 6,315,559 B1 * 11/2001 Nakanishi A61C 1/14
 433/116
 6,589,107 B2 7/2003 Lee
 6,748,620 B2 6/2004 Ching-Chen
 6,754,931 B2 6/2004 Chen
 7,203,989 B2 * 4/2007 McLain A46B 13/001
 15/230
 D560,458 S * 1/2008 McLain D8/70
 D620,202 S * 7/2010 Chen D28/63
 8,029,070 B2 * 10/2011 McLain B24B 29/00
 300/21
 8,151,403 B2 * 4/2012 Wada A47L 13/24
 15/229.4
 D658,891 S * 5/2012 Green D4/114
 9,078,513 B2 * 7/2015 Higgins A46B 13/00
 9,108,226 B1 * 8/2015 SerVaas A46B 9/005
 D804,267 S * 12/2017 Umbrell D8/70
 9,833,650 B2 * 12/2017 Jones A63B 22/0046
 D819,734 S * 6/2018 Enterline D19/66
 D819,736 S * 6/2018 Enterline D19/66

D866,281 S * 11/2019 McLain D8/70
 D905,365 S * 12/2020 Thyson D32/50
 D905,435 S * 12/2020 Nicoline D4/127
 D908,997 S * 1/2021 Kauffman D32/40
 2003/0131429 A1 * 7/2003 Ching-Chen A47K 7/02
 15/110
 2003/0208871 A1 11/2003 Osborne
 2004/0116058 A1 * 6/2004 Meissner B24B 13/01
 451/541
 2004/0148721 A1 * 8/2004 Spaulding A46B 7/04
 15/118
 2005/0000046 A1 1/2005 Popovsky et al.
 2005/0120500 A1 6/2005 McLain
 2005/0188491 A1 9/2005 McLain
 2006/0089578 A1 * 4/2006 Hsu A61H 15/00
 601/118
 2006/0225236 A1 10/2006 Chang
 2006/0282966 A1 12/2006 Popovsky et al.
 2007/0067934 A1 3/2007 Osborne
 2007/0186365 A1 8/2007 Armaly, Jr.
 2008/0047085 A1 * 2/2008 Kolarevic A46B 13/001
 15/179
 2008/0189891 A1 * 8/2008 McLain A47L 11/14
 15/209.1
 2019/0240798 A1 * 8/2019 Valentini B24B 23/02
 2020/0130142 A1 * 4/2020 McLain B24D 13/10
 2021/0146496 A1 * 5/2021 Hwang B24B 23/005

OTHER PUBLICATIONS

Amazon https://www.amazon.com/dp/B07T8FDKD3/ref=sspa_dk_detail_5 (Year: 2019).*
 Amazon <https://us.amazon.com/BBIT-Buffer-Bit/dp/B007BJQ60G> (Year: 2012).*

* cited by examiner

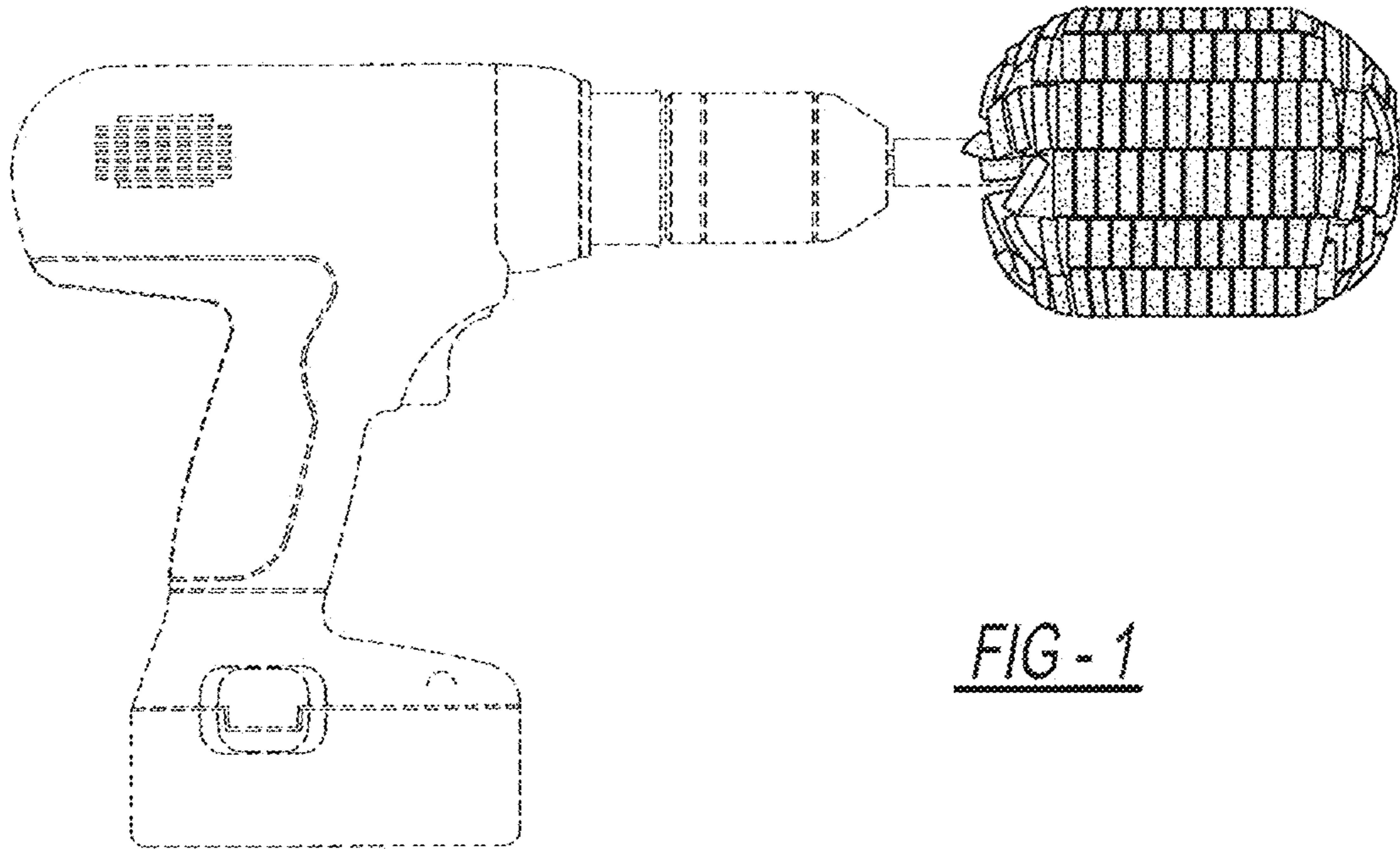


FIG - 1

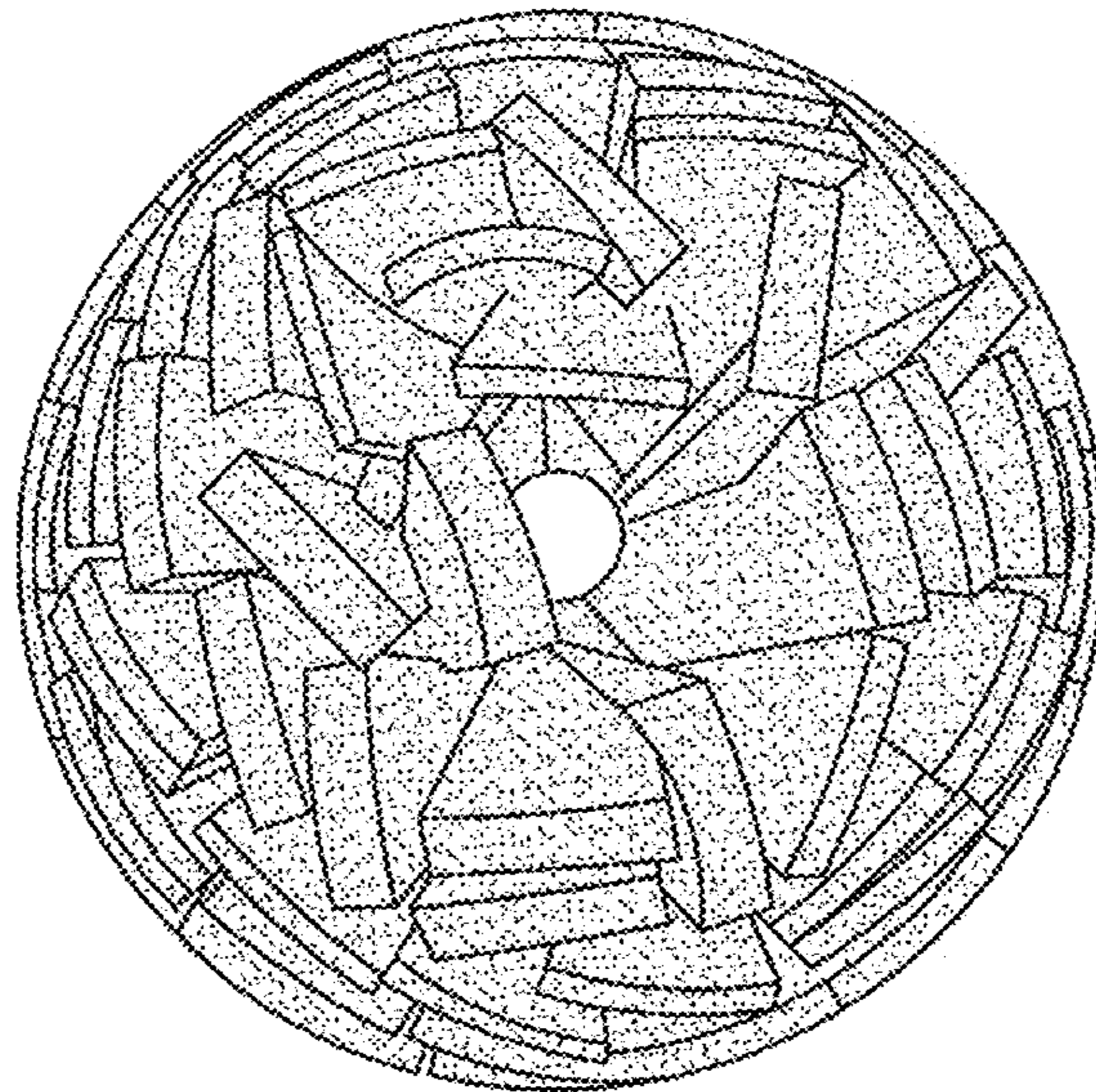


FIG - 2

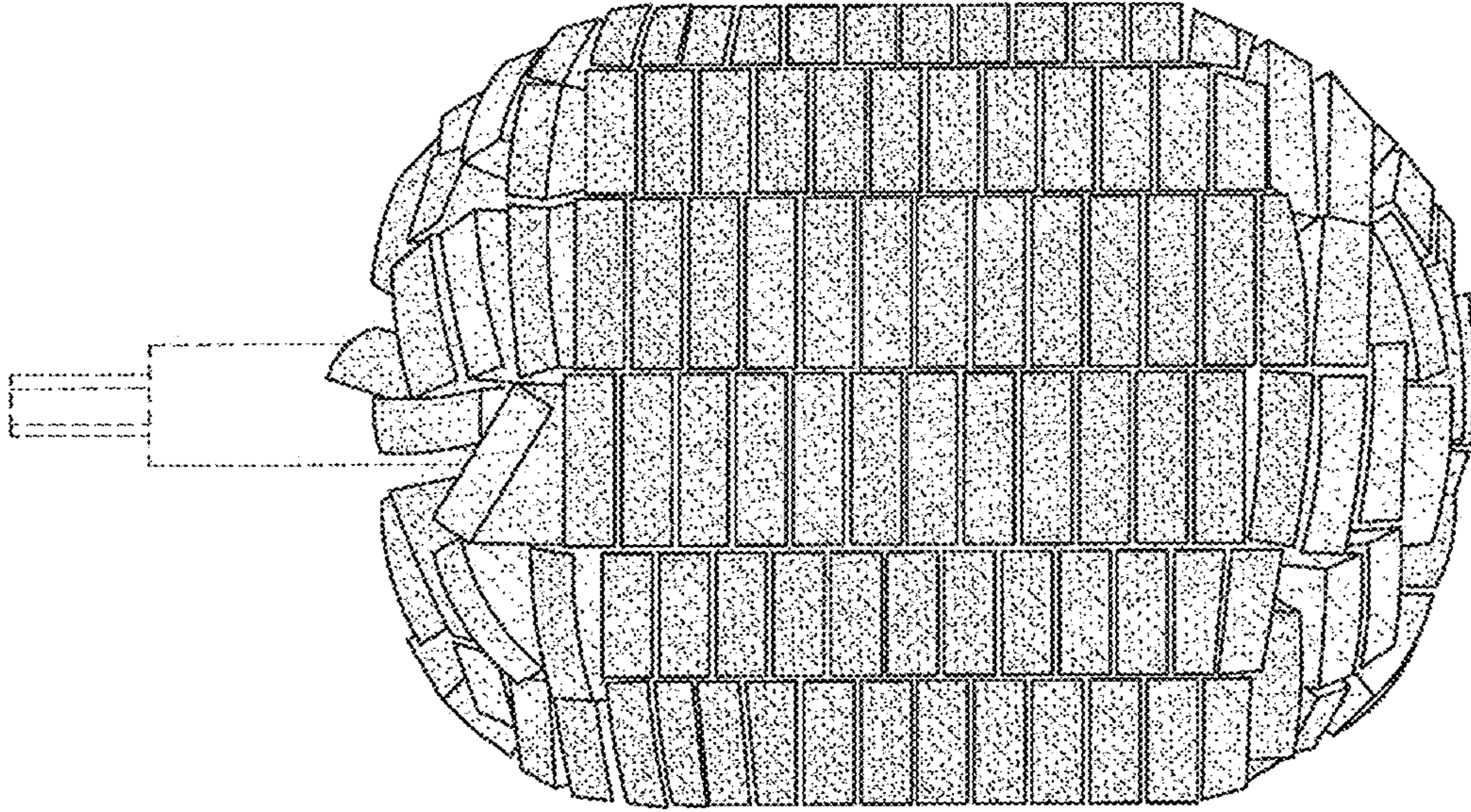


FIG - 3

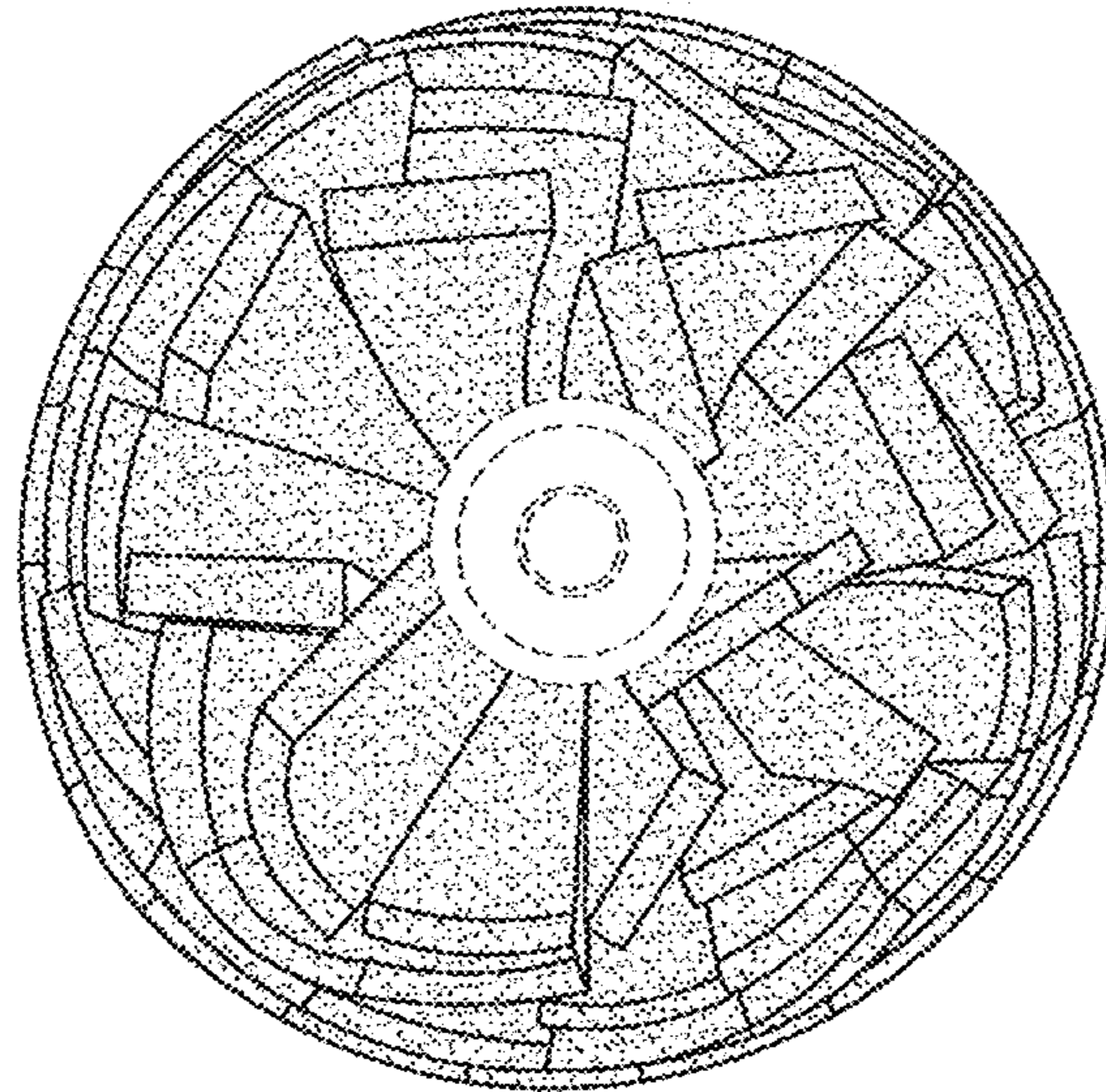


FIG - 4