



US00D946361S

(12) **United States Design Patent** (10) **Patent No.:** **US D946,361 S**
Yang (45) **Date of Patent:** **** Mar. 22, 2022**

(54) **FLAVOR INJECTOR**
(71) Applicant: **Yuyao Wandaifu Barbecue Tools Factory, Yuyao (CN)**
(72) Inventor: **Niejun Yang, Yuyao (CN)**
(**) Term: **15 Years**
(21) Appl. No.: **29/767,017**
(22) Filed: **Jan. 20, 2021**
(51) **LOC (13) Cl.** **07-99**
(52) **U.S. Cl.**
USPC **D7/669**
(58) **Field of Classification Search**
USPC D7/368, 669, 680-696; D24/112, 114, D24/130
CPC .. A47J 43/28; A47J 43/16; A23B 4/28; A23B 4/32; A61M 5/3135; A61M 5/3129; A61M 5/315; A22C 9/00; A22C 9/001; A22C 9/008; A22C 17/0053; A23L 13/72; A23P 20/25
See application file for complete search history.

D611,310 S * 3/2010 Eide D7/669
D611,594 S 3/2010 Ratjen
D779,894 S 2/2017 Davies

OTHER PUBLICATIONS

Amazon.com, Marinade Meat Injector Kit, pp. 1-6, ASIN: B092HQBRQ3, date first available May 26, 2020. (Year: 2020).*
Amazon.com, 304 Stainless Steel Meat Injector Syringe, pp. 1-3, ASIN: B07X74Z496, date first available Sep. 25, 2019. (Year: 2019).*
Amazon.com, Mangiate-Stainless Steel Meat Injector, pp. 1-4, ASIN: B089QWQMY6, date first available Jun. 5, 2020. (Year: 2020).*
Amazon.com, Meat Injector Marinades for Meats, pp. 1-6, ASIN: B08P2X8JYQ, date first available Nov. 24, 2020. (Year: 2020).*

* cited by examiner

Primary Examiner — Terry A Wallace

(57) **CLAIM**

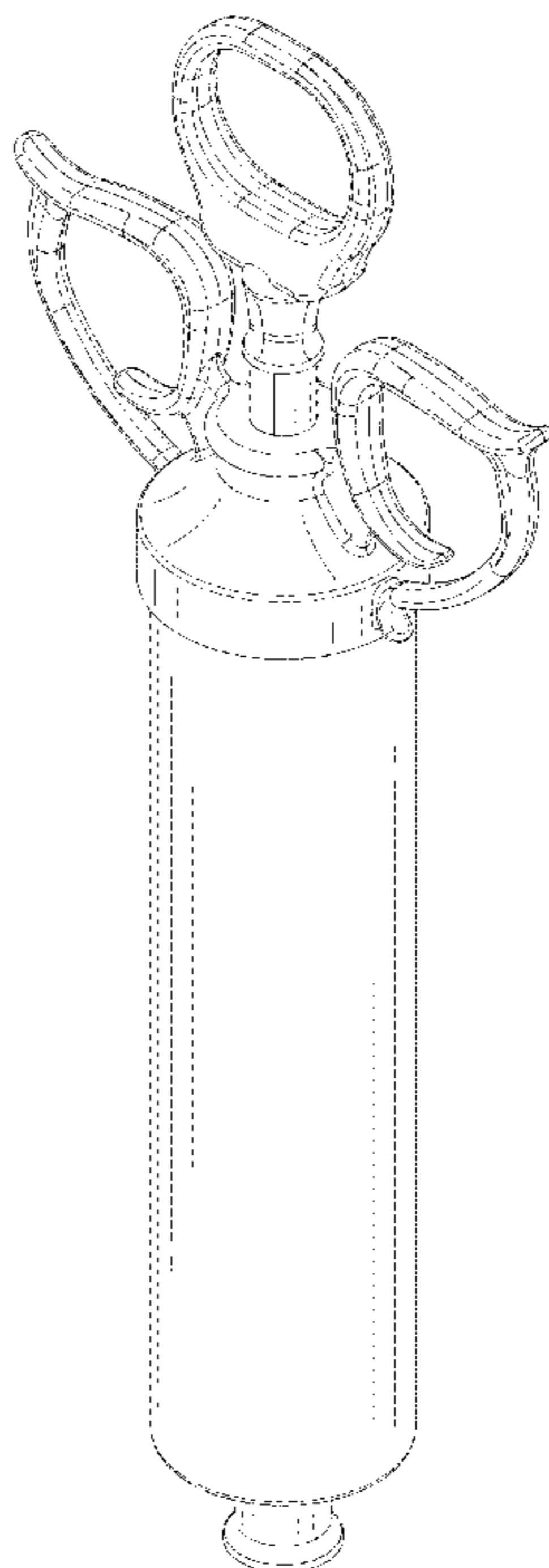
The ornamental design for a flavor injector, as shown and described.

DESCRIPTION

FIG. 1 is a front elevational view of a flavor injector showing my new design;
FIG. 2 is a rear elevational view thereof;
FIG. 3 is a left side view thereof;
FIG. 4 is a right side view thereof;
FIG. 5 is a top plan view thereof;
FIG. 6 is a bottom plan view thereof; and,
FIG. 7 is a perspective view thereof.
The broken lines shown in the drawings depict portions of the flavor injector that form no part of the claimed design.

1 Claim, 7 Drawing Sheets

(56) **References Cited**
U.S. PATENT DOCUMENTS
1,798,116 A * 3/1931 Brockway A61M 5/315 604/220
2,823,675 A * 2/1958 Scirba A61M 5/3135 604/227
4,064,879 A * 12/1977 Leibinsohn A61M 5/486 604/121
4,178,660 A * 12/1979 Olney A22C 17/0053 99/450.8
D263,271 S * 3/1982 Kalb D7/669
D557,784 S 12/2007 Stead



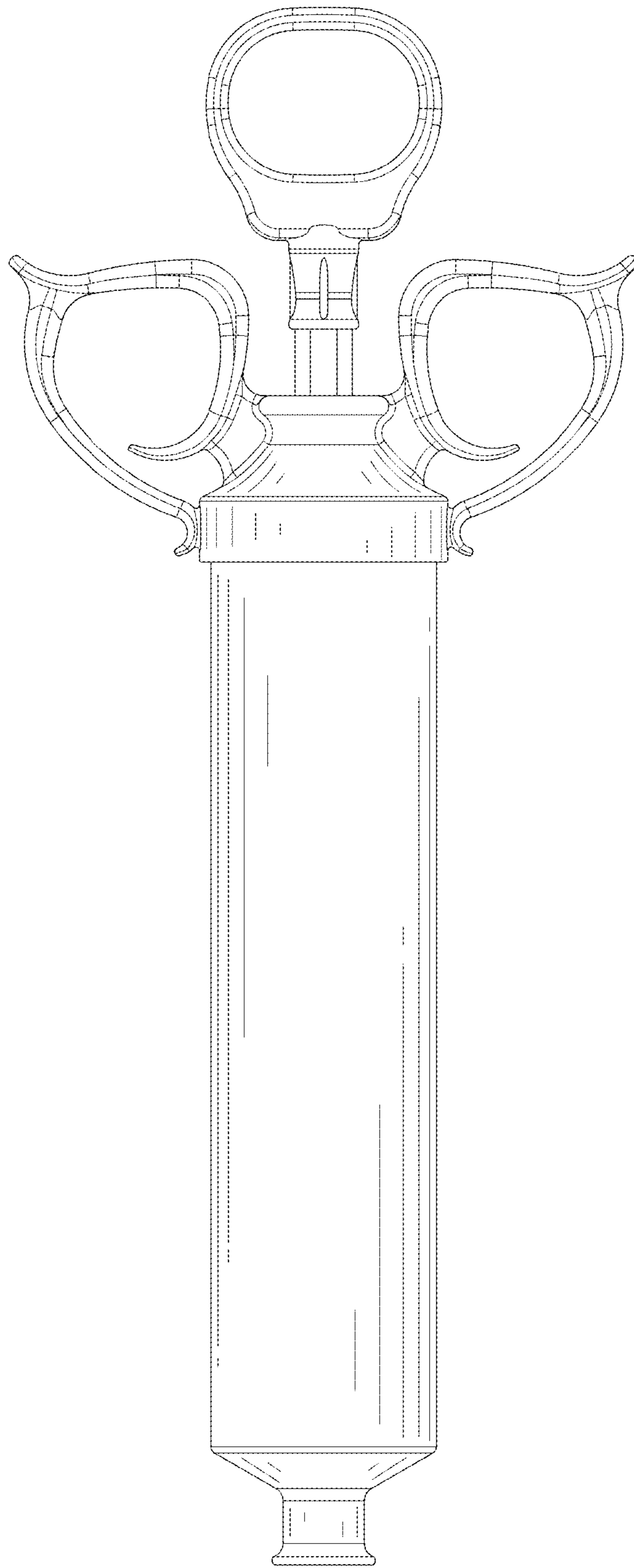


FIG. 1

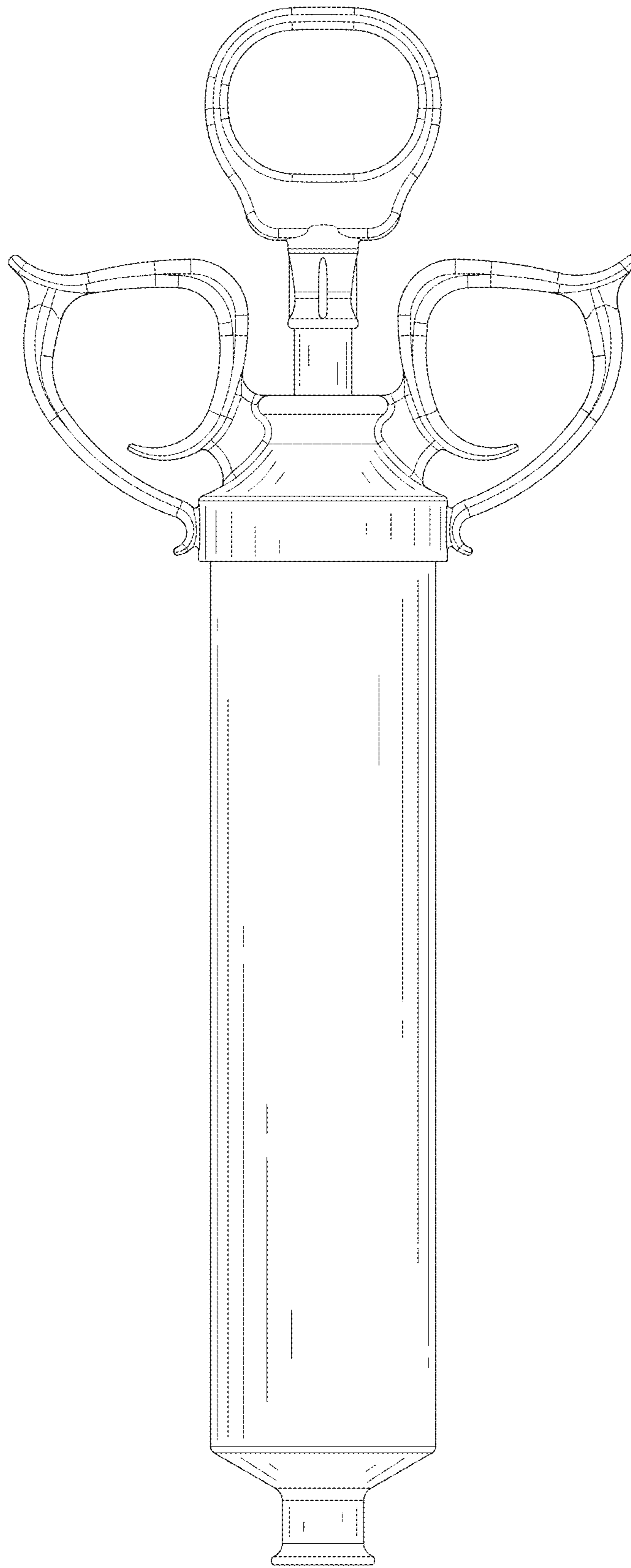


FIG. 2

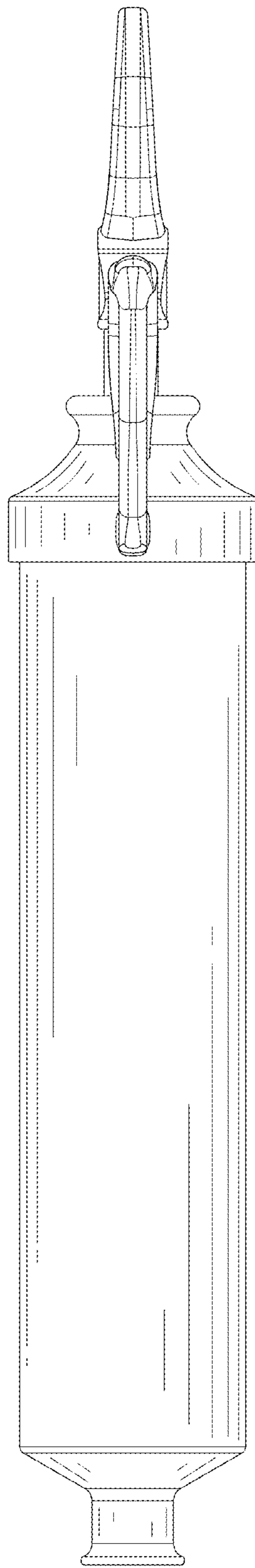


FIG. 3

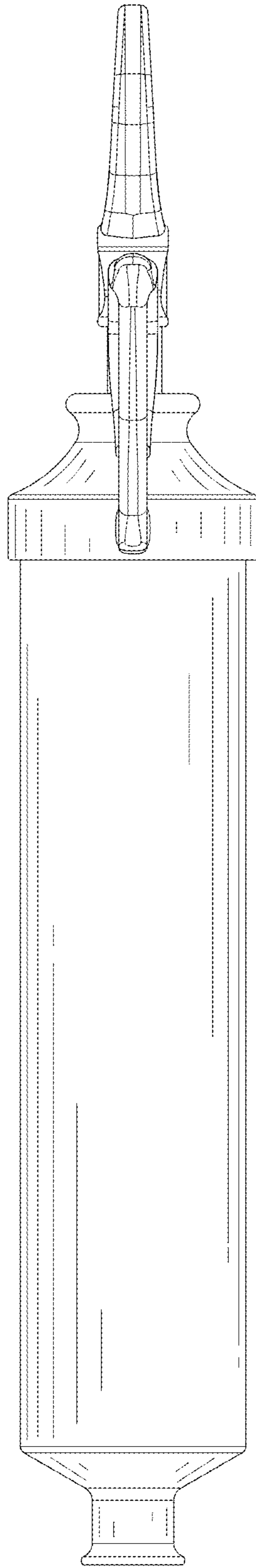


FIG. 4

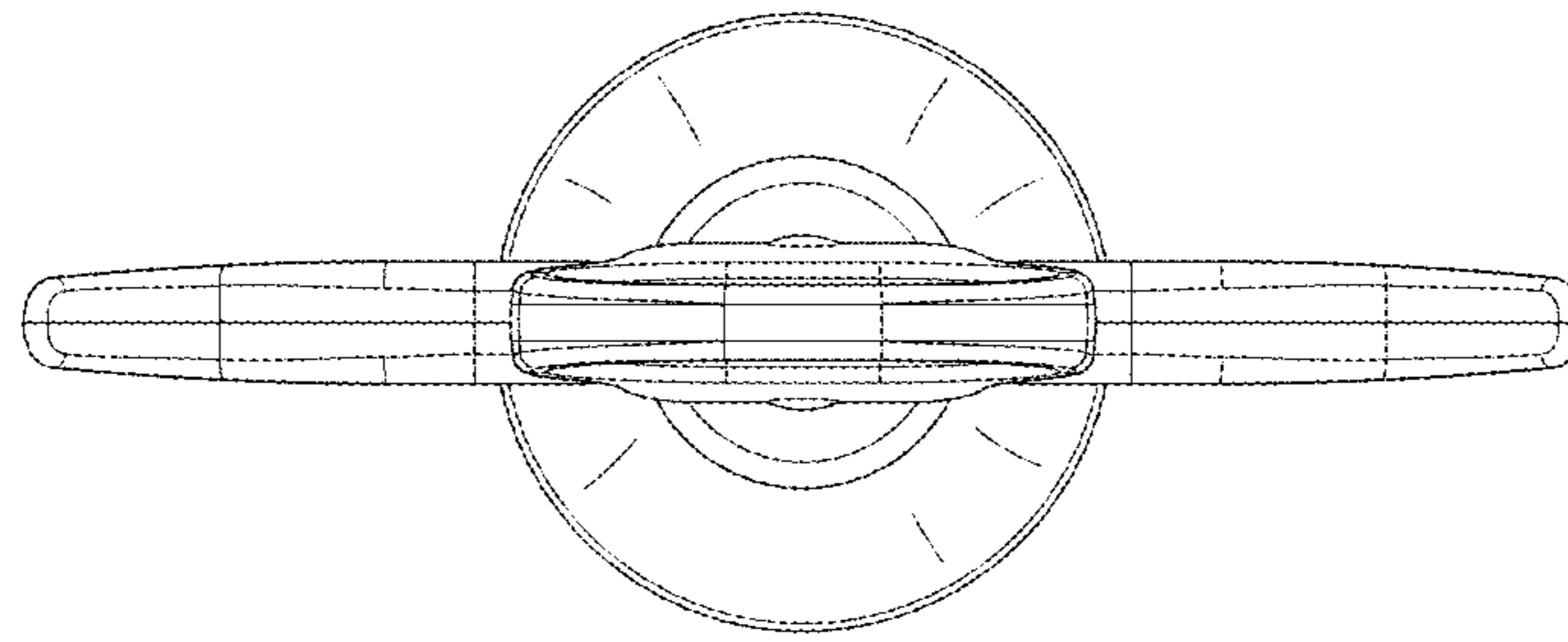


FIG. 5

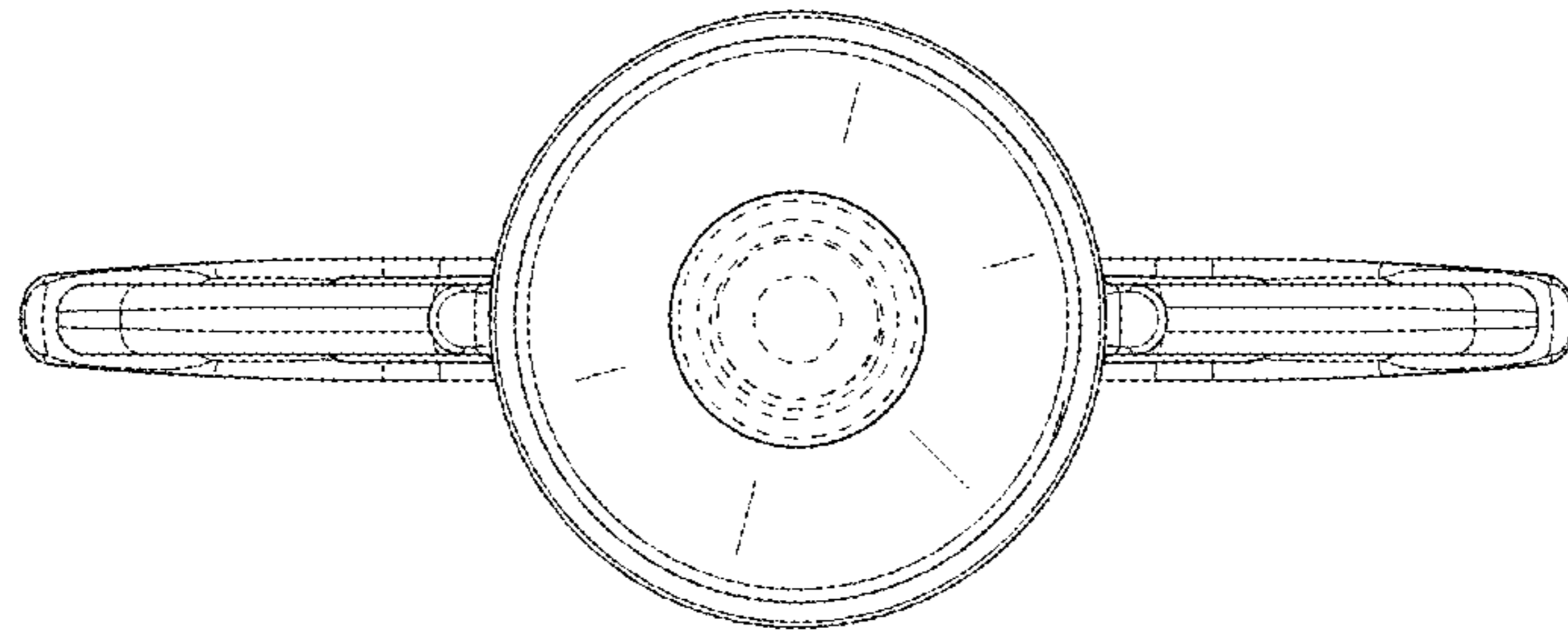


FIG. 6

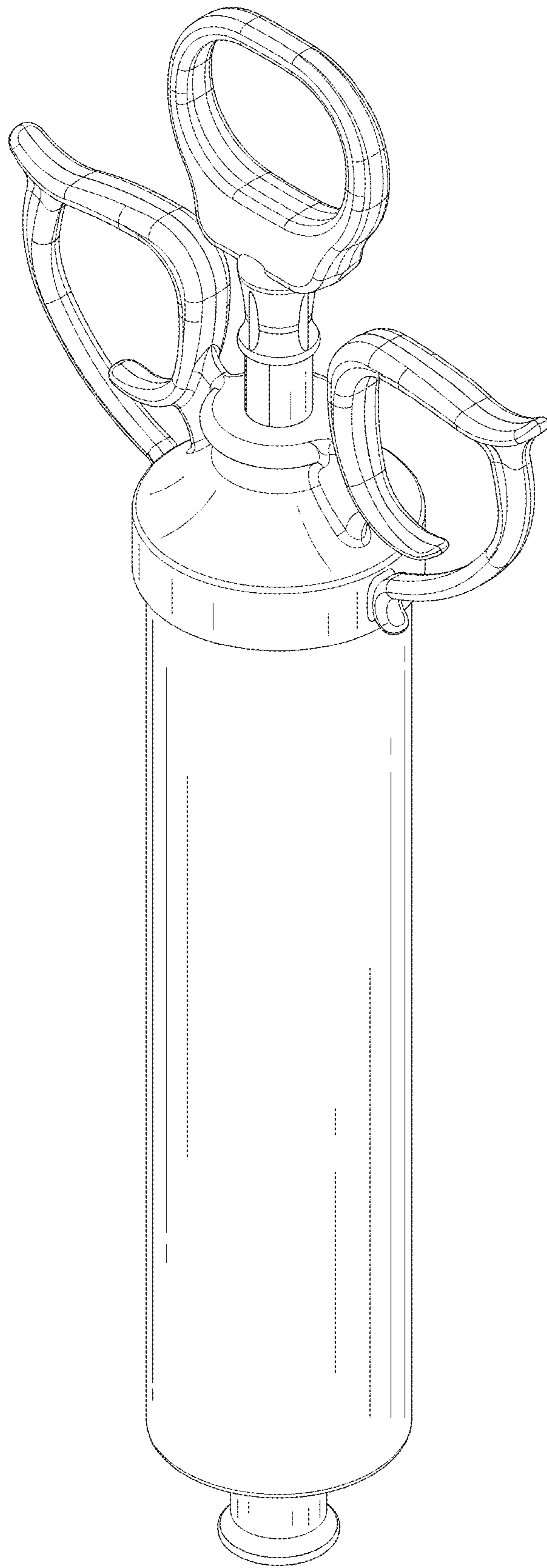


FIG. 7