



US00D946356S

(12) **United States Design Patent** (10) **Patent No.:** **US D946,356 S**
Zeitzer et al. (45) **Date of Patent:** **** Mar. 22, 2022**

(54) **BOTTLE HOLDER**

(71) Applicant: **Victoria's Secret Stores Brand Management, LLC**, Reynoldsburg, OH (US)

(72) Inventors: **Cory Zeitzer**, Yardley, PA (US); **Alex Adamowsky**, Robbinsville, NJ (US)

(73) Assignee: **Victoria's Secret Stores Brand Management, LLC**, Reynoldsburg, OH (US)

(**) Term: **15 Years**

(21) Appl. No.: **29/736,670**

(22) Filed: **Jun. 2, 2020**

(51) **LOC (13) Cl.** **09-03**

(52) **U.S. Cl.**
USPC **D7/624.2**

(58) **Field of Classification Search**
USPC D3/215, 226, 229; D7/300, 316, 318, D7/503, 507, 509, 510, 511, 602, 605, D7/608, 619.1, 619.2, 624.2, 624.3, 625, D7/701, 710; D6/417; D8/388, 391, D8/392; D9/455
CPC .. A47J 41/00; A47J 43/00; A47J 47/00; A47J 47/02; A47J 47/08; A47G 19/2205; A47G 19/2272; A47G 19/2288; A47G 19/23; A47G 21/145; A47G 23/0241; A47G 23/0266; A47G 23/16; A45F 3/16; A45F 2200/0583; A45F 2003/002; A45F 2005/006; A45F 3/02; A45F 5/00; B65D 1/265; B65D 3/22; B65D 23/08; B65D 23/0885; B65D 81/3453; B65D 81/3865; B65D 81/3881; B65D 81/3883; B65D 81/3886; B65D 81/3879; F25D 3/08; F25D 3/12; F25D 3/14
See application file for complete search history.

(56) **References Cited**

U.S. PATENT DOCUMENTS

D304,890 S * 12/1989 Canaan D3/229
D331,629 S * 12/1992 Stewart D24/199

D340,583 S * 10/1993 Kahn D3/202
D343,293 S * 1/1994 Montgomery D3/229
D347,766 S * 6/1994 Kalat D3/229
D350,024 S * 8/1994 Ryker D3/202

(Continued)

FOREIGN PATENT DOCUMENTS

CA 144552 S 9/2012
CA 144553 S 9/2012
CN 205931651 U 2/2017

OTHER PUBLICATIONS

Zeitzer et al., "Bottle Holder," Design U.S. Appl. No. 29/736,669, filed Jun. 2, 2020.

Primary Examiner — Joseph Kukella

Assistant Examiner — Darryl J Dardenne

(74) *Attorney, Agent, or Firm* — Andrus Intellectual Property Law, LLP

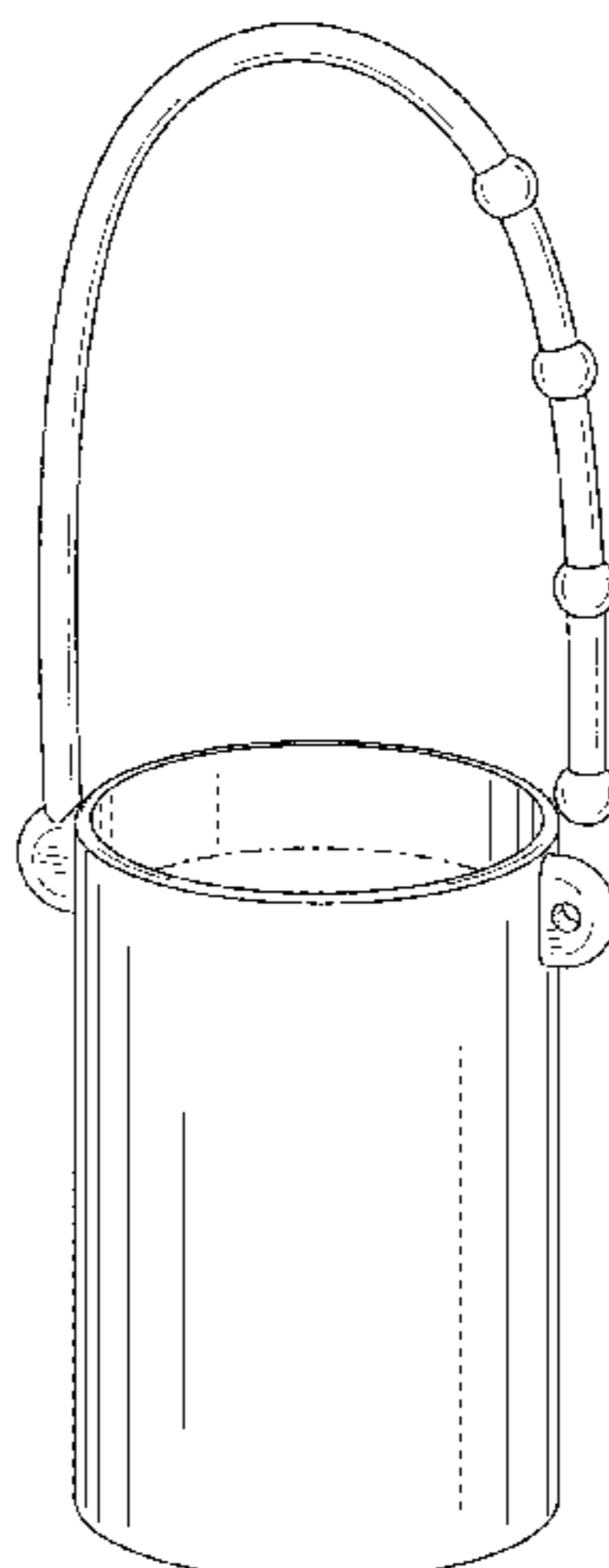
(57) **CLAIM**

The ornamental design for a bottle holder, as shown and described.

DESCRIPTION

FIG. 1 is a perspective view of a bottle holder according to our new and ornamental design;
FIG. 2 is a front elevation view thereof;
FIG. 3 is a rear elevation view thereof;
FIG. 4 is a right side elevation view thereof;
FIG. 5 is a left side elevation view thereof;
FIG. 6 is a top plan view thereof;
FIG. 7 is a bottom plan view thereof; and,
FIG. 8 is a perspective view thereof, showing the bottle holder in an alternative configuration.
The dash-dot broken lines show the boundaries of the claimed design and form no part of the claim.

1 Claim, 7 Drawing Sheets



(56)

References Cited

U.S. PATENT DOCUMENTS

D378,022	S *	2/1997	Chen	D3/229
D379,711	S *	6/1997	Fitzgerald	D3/202
D387,248	S *	12/1997	Warren	D7/507
D406,494	S *	3/1999	Corbella	D7/608
D487,660	S *	3/2004	Sayers	D6/513
D625,513	S *	10/2010	Carnes	D3/229
D675,446	S *	2/2013	Cohee	D3/318
D739,683	S *	9/2015	Krohn	D7/619.1
D779,943	S *	2/2017	Tulencik	D9/455
D779,945	S	2/2017	Tulencik	
D780,442	S *	3/2017	Tidwell	D3/229
D780,580	S *	3/2017	Tulencik	D9/455
D831,487	S *	10/2018	Schlatter	D9/455
D874,127	S *	2/2020	Wang	D3/202
D885,148	S *	5/2020	Wang	D7/701
D925,995	S *	7/2021	Wang	D7/624.2
11,172,752	B2 *	11/2021	Dow	A45F 3/02
2016/0360912	A1 *	12/2016	Chang	A47G 23/0241

* cited by examiner

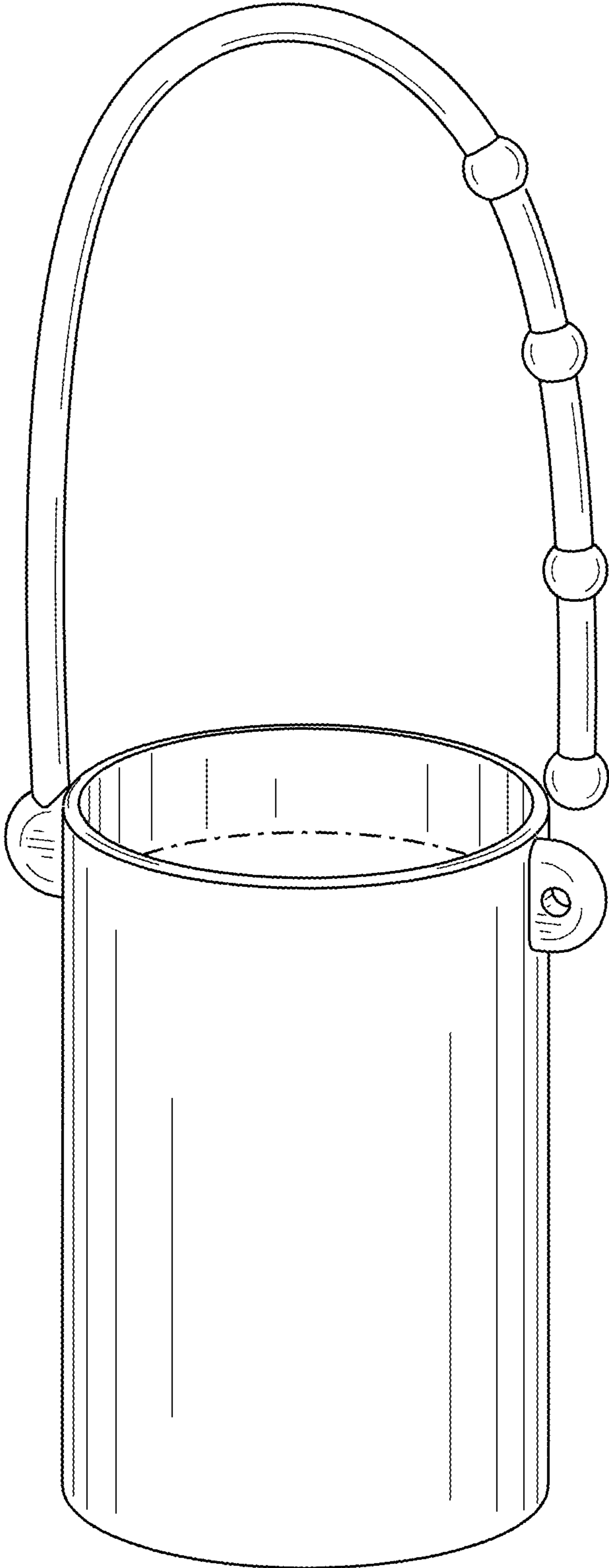


FIG. 1

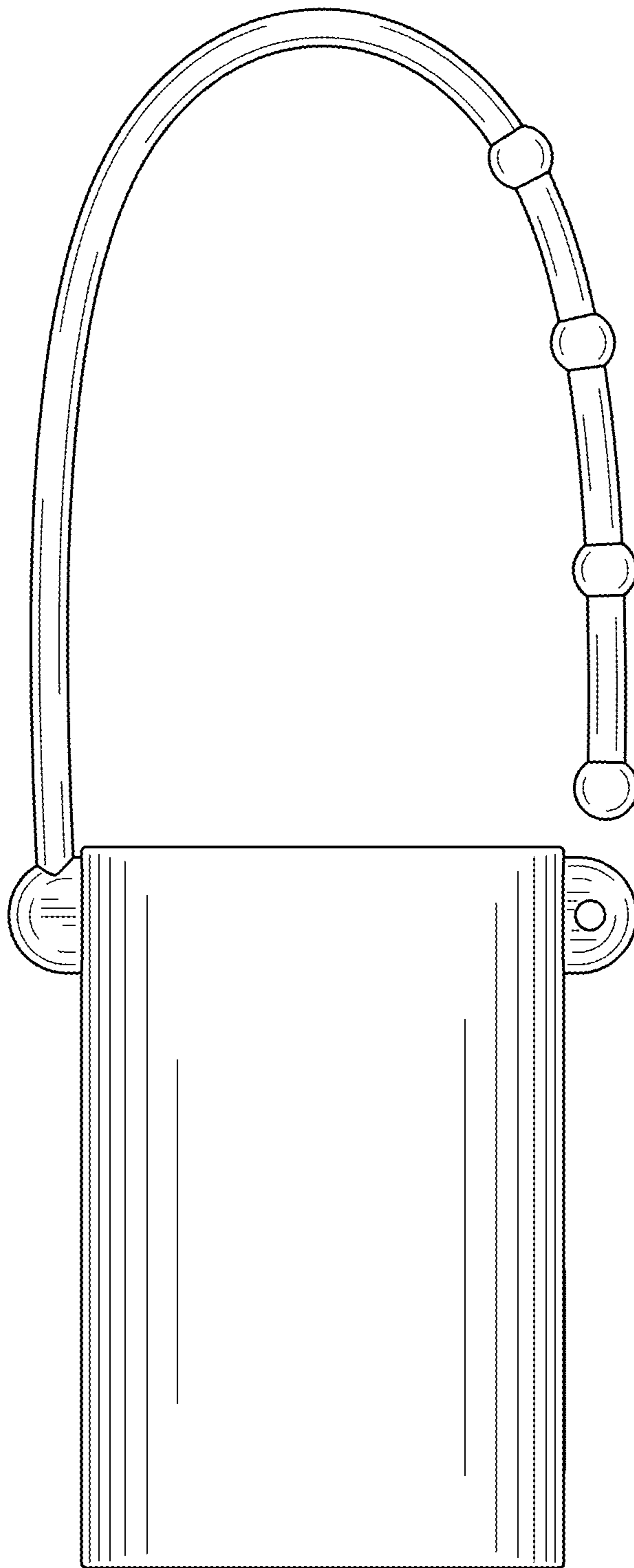


FIG. 2

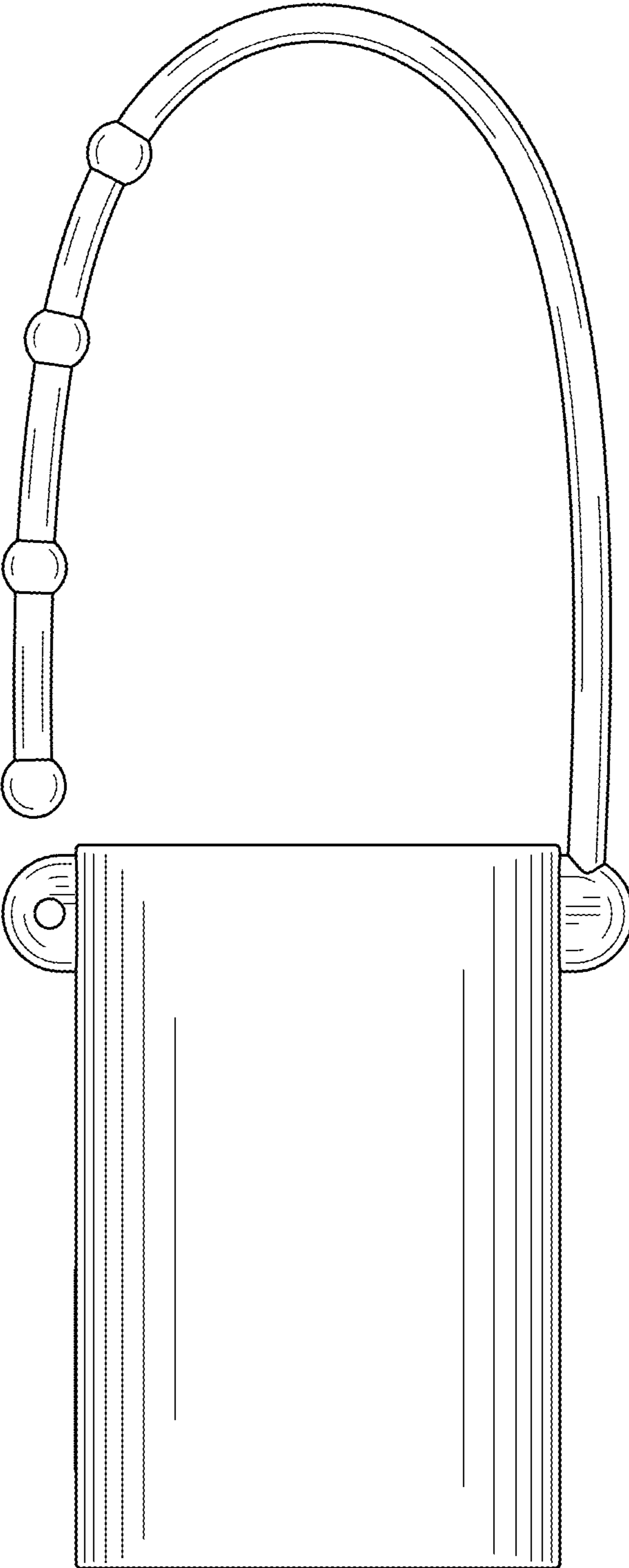


FIG. 3

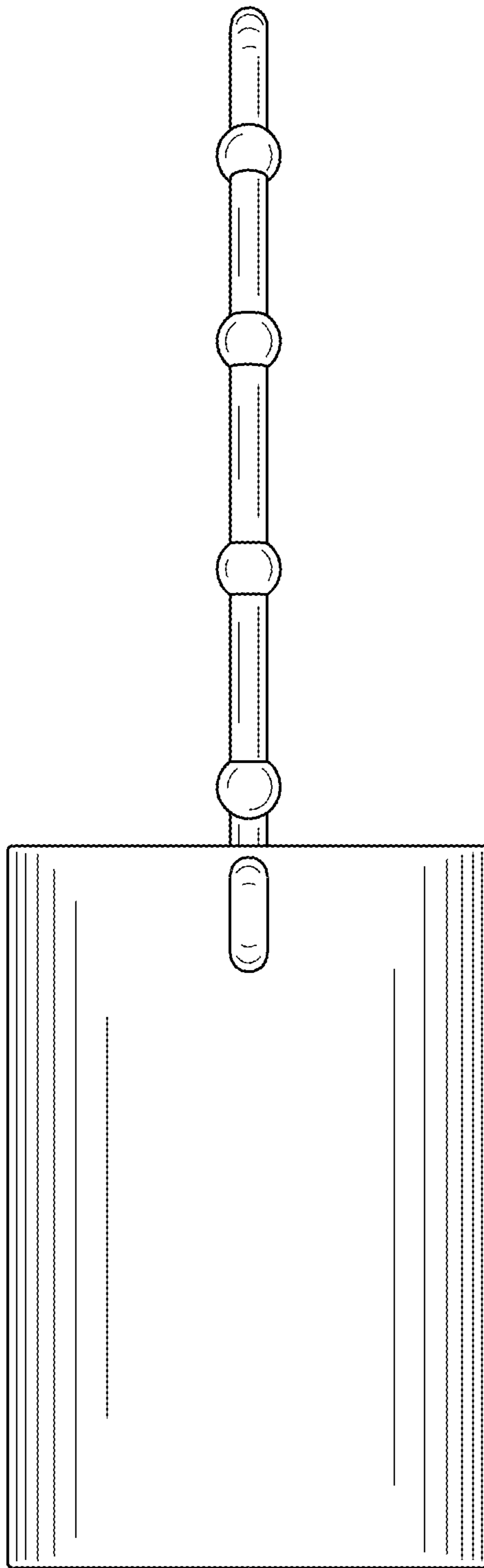


FIG. 4

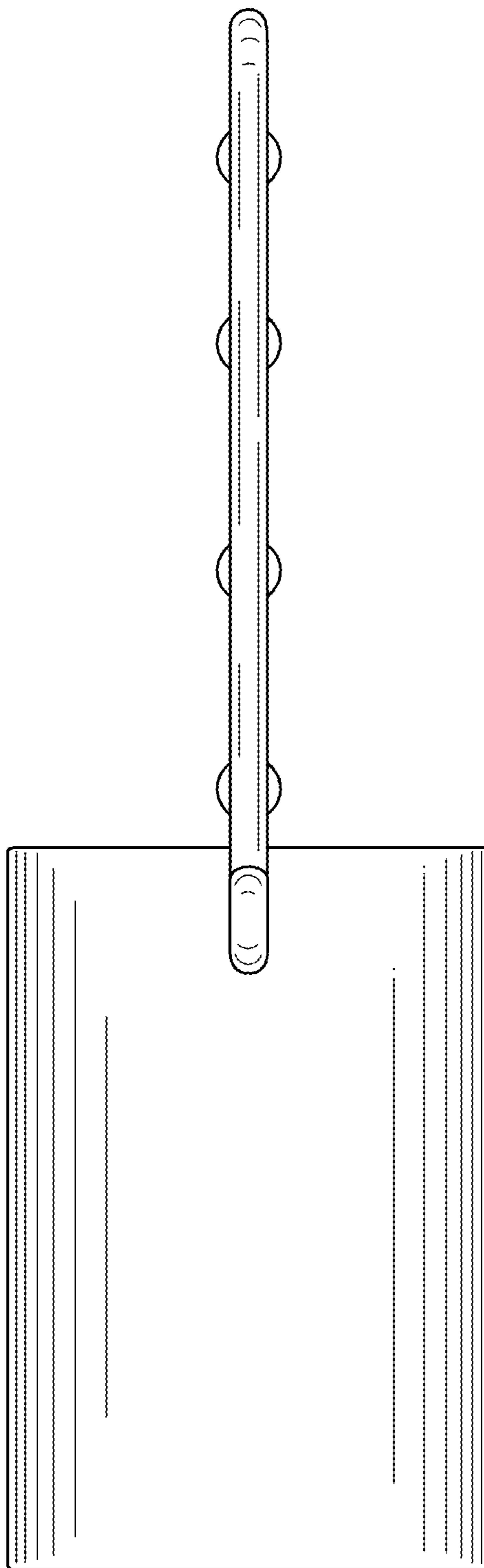


FIG. 5

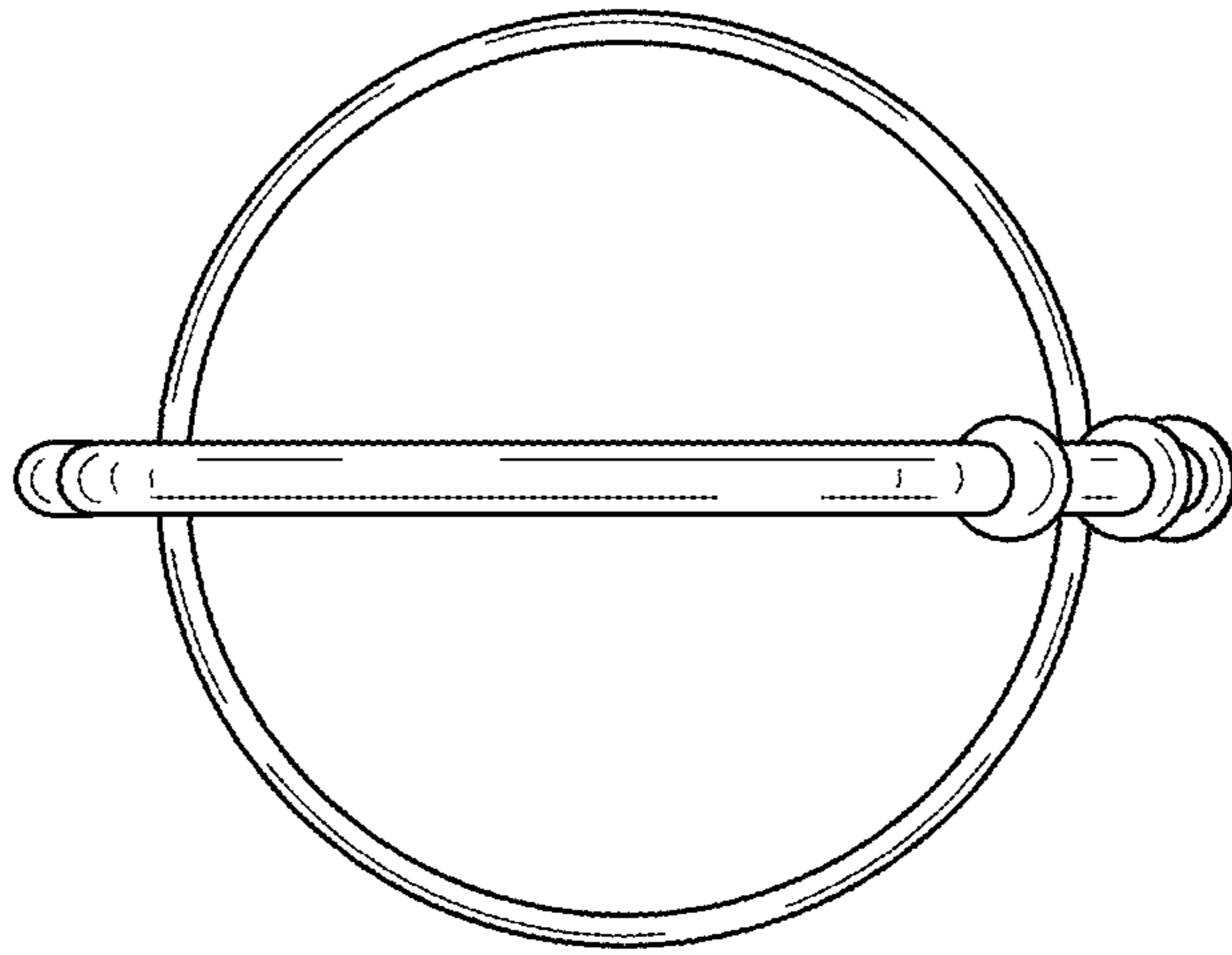


FIG. 6

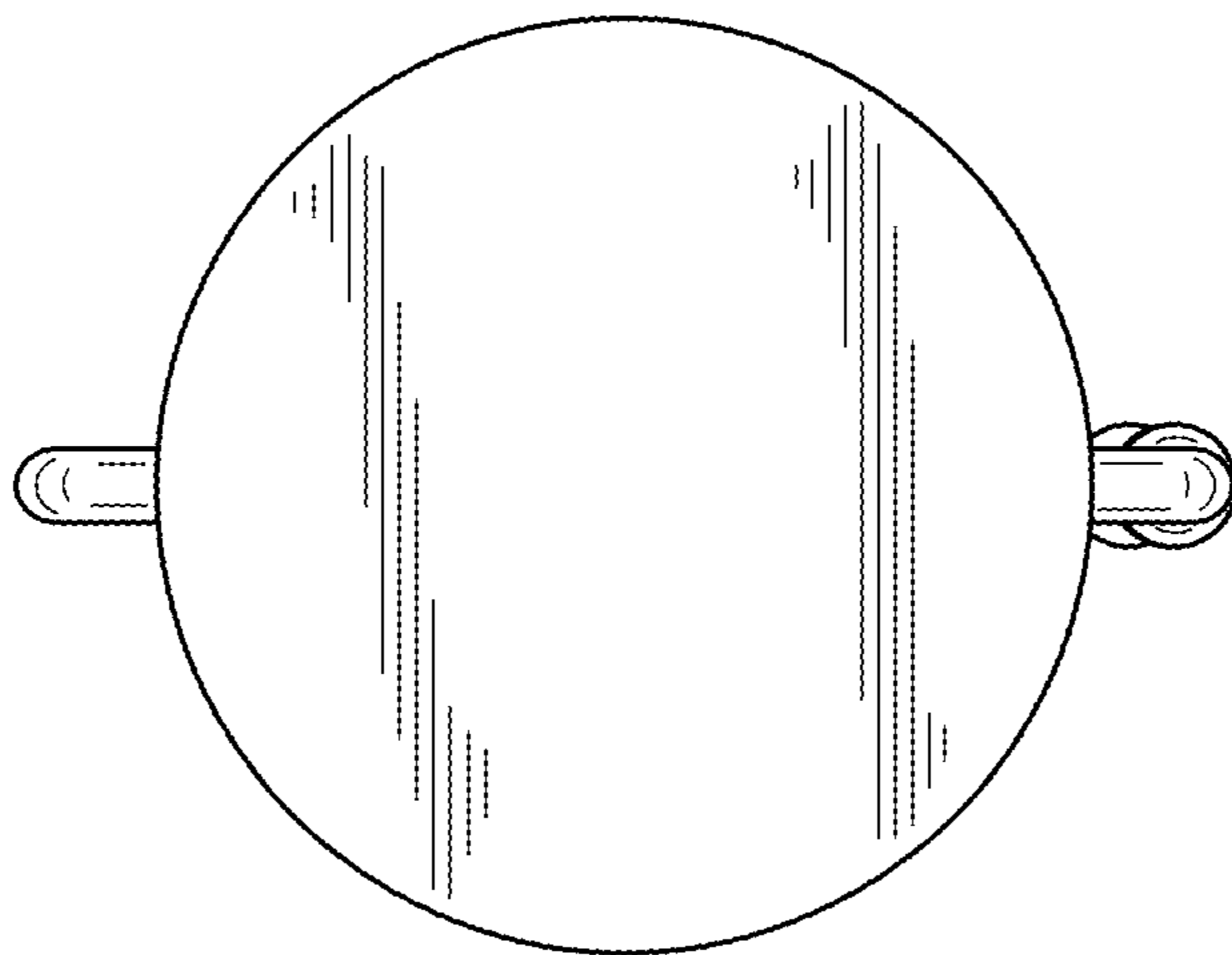


FIG. 7

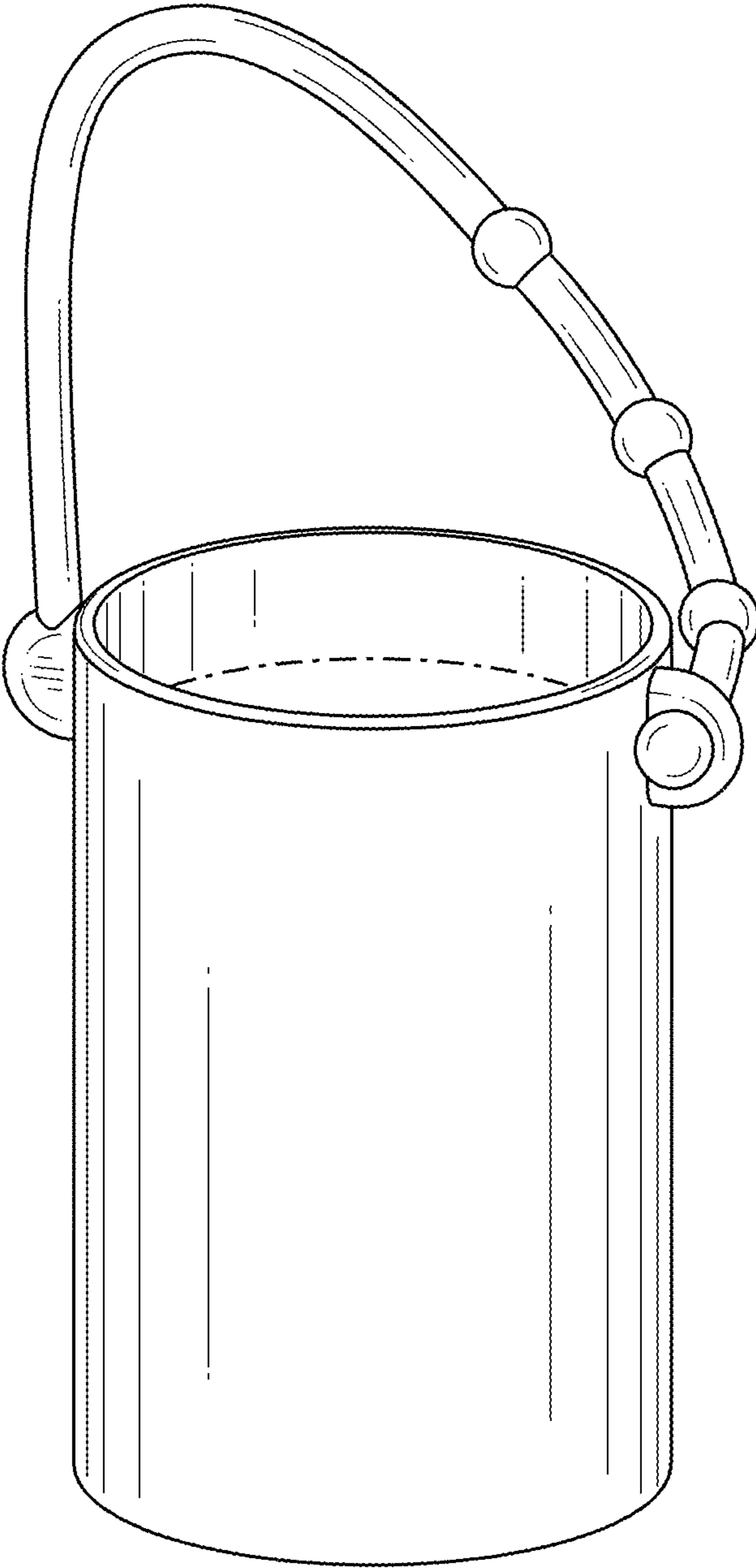


FIG. 8