

US00D946354S

(12) **United States Design Patent**
Chen

(10) **Patent No.:** **US D946,354 S**
(45) **Date of Patent:** **** Mar. 22, 2022**

(54) **CUP HOLDER**

(71) Applicant: **XIAMEN SIENLUO TRADING CO., LTD.**, Xiamen (CN)

(72) Inventor: **Honghui Chen**, Xiamen (CN)

(73) Assignee: **XIAMEN SIENLUO TRADING CO., LTD.**, Xiamen (CN)

(**) Term: **15 Years**

(21) Appl. No.: **29/782,511**

(22) Filed: **May 7, 2021**

(30) **Foreign Application Priority Data**

Apr. 19, 2021 (CN) 202130222579.7

(51) **LOC (13) Cl.** **09-03**

(52) **U.S. Cl.**
USPC **D7/619.1**

(58) **Field of Classification Search**
USPC D7/300, 313, 316, 507, 510, 511, 602,
D7/605, 608, 619.1
CPC .. A47J 41/00; A47J 43/00; A47J 44/14; A47J
44/25; A47J 47/00; A47J 47/02; A47J
47/08; A47G 19/2205; A47G 23/16;
A47G 23/02; A47G 23/0208; A47G
19/2272; A47G 19/2288; A47G 19/23;
B65D 3/22; B65D 41/26; B65D 41/56;
B65D 1/265; B65D 81/3865; B65D
81/3453

See application file for complete search history.

(56) **References Cited**

U.S. PATENT DOCUMENTS

D368,410 S * 4/1996 Shiner D7/608
D454,283 S * 3/2002 Kilgore D7/619.1

D587,572 S * 3/2009 Sanders D9/443
D777,526 S * 1/2017 Polack D7/619.1
D786,023 S * 5/2017 Polack D7/619.1
D821,790 S * 7/2018 Weirun D6/702
D824,732 S * 8/2018 Hsiao D7/624.2
D841,407 S * 2/2019 Hsiao D7/624.2
D869,910 S 12/2019 Ye
D883,900 S 5/2020 Annus et al.
D909,819 S * 2/2021 Ellison D7/587
D919,552 S * 5/2021 Jeon D12/419
D933,427 S * 10/2021 Ellison A47G 23/0313
D7/587
2009/0114791 A1* 5/2009 Alger A47G 23/0313
248/346.11

* cited by examiner

Primary Examiner — Joseph Kukella
Assistant Examiner — Darryl J Dardenne

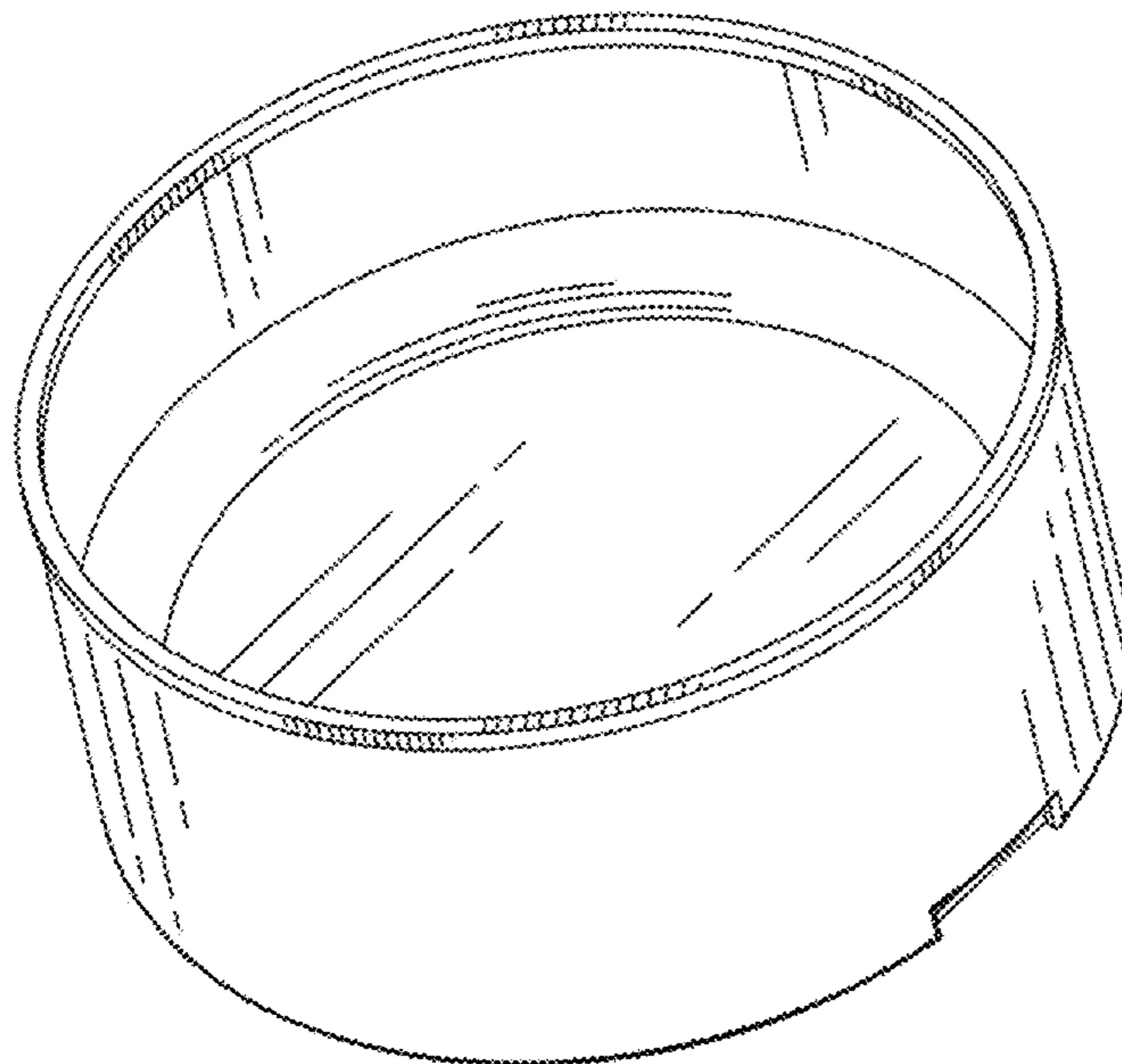
(57) **CLAIM**

The ornamental design for a cup holder, as shown and described.

DESCRIPTION

FIG. 1 is a perspective view of a cup holder showing my new design;
FIG. 2 is another perspective view thereof;
FIG. 3 is a front elevational view thereof;
FIG. 4 is a left side elevational view thereof;
FIG. 5 is a right side elevational view thereof;
FIG. 6 is a top plan view thereof;
FIG. 7 is a bottom plan view thereof; and,
FIG. 8 is a perspective view of the cup holder where the cup holder is in a configuration of use.
The broken lines in FIG. 8 showing a bottle depict environment only and form no part of the claimed design. The other broken lines in the drawings depict portions of the cup holder that form no part of the claimed design.

1 Claim, 8 Drawing Sheets



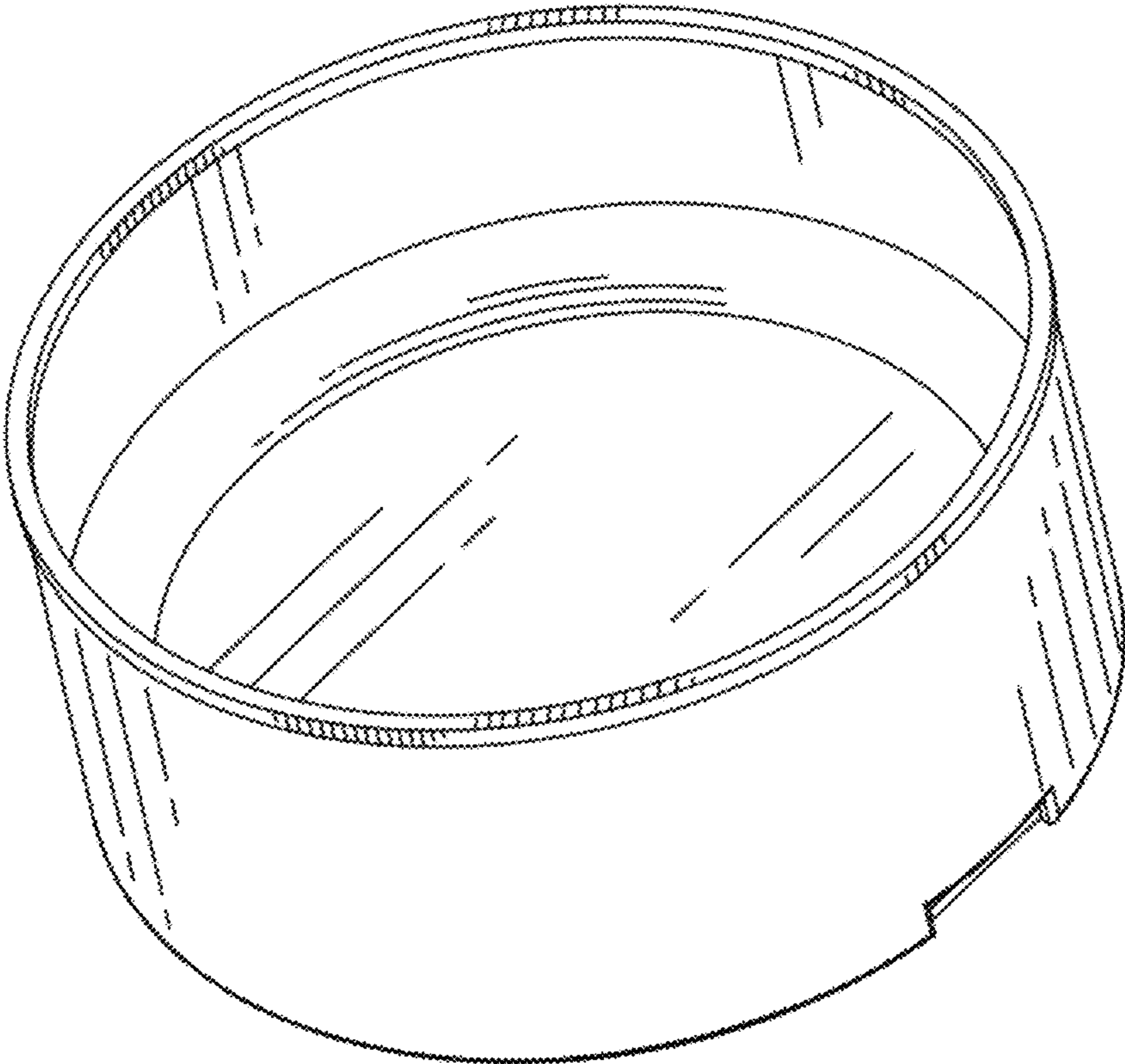


FIG.1

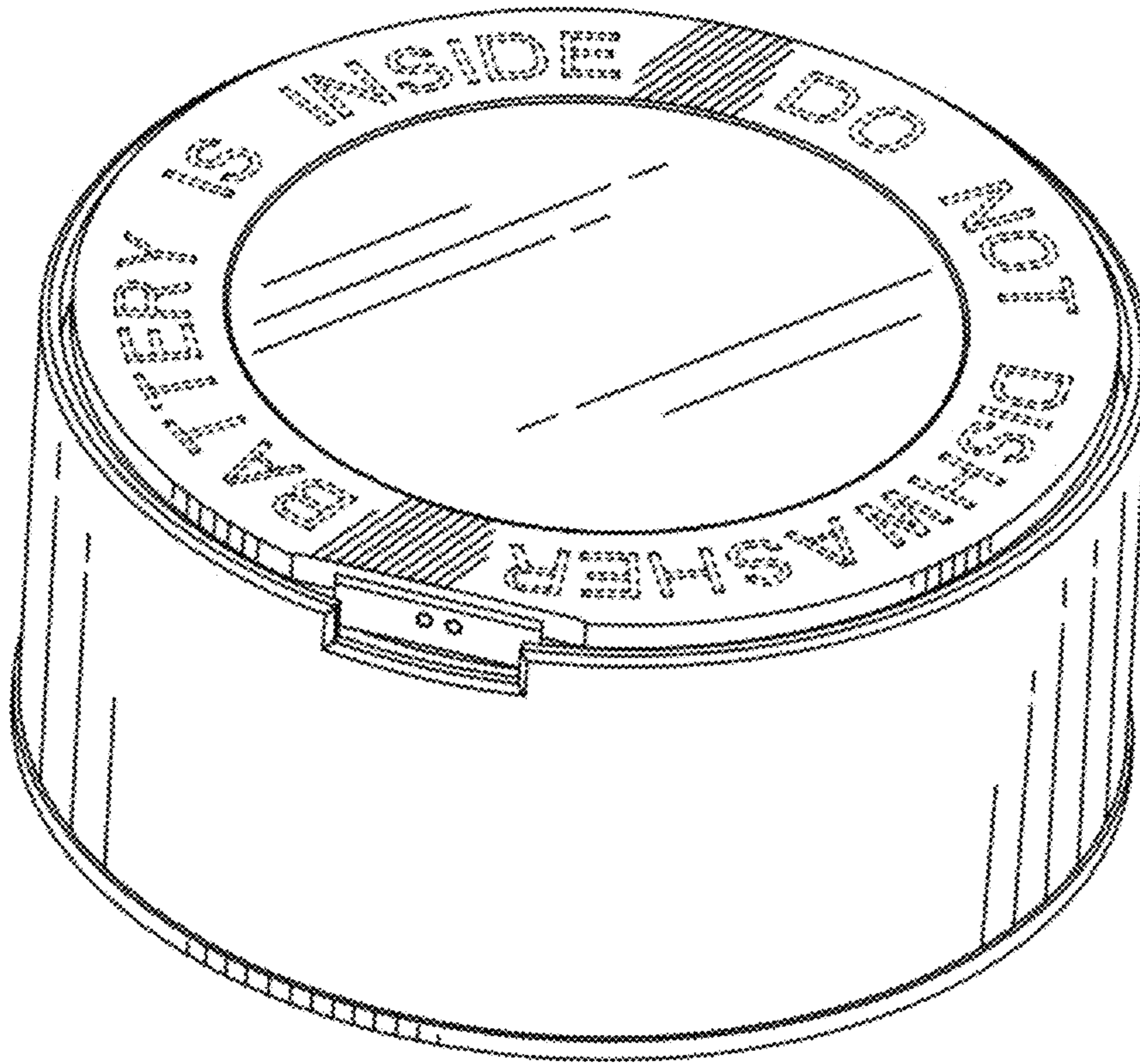


FIG.2

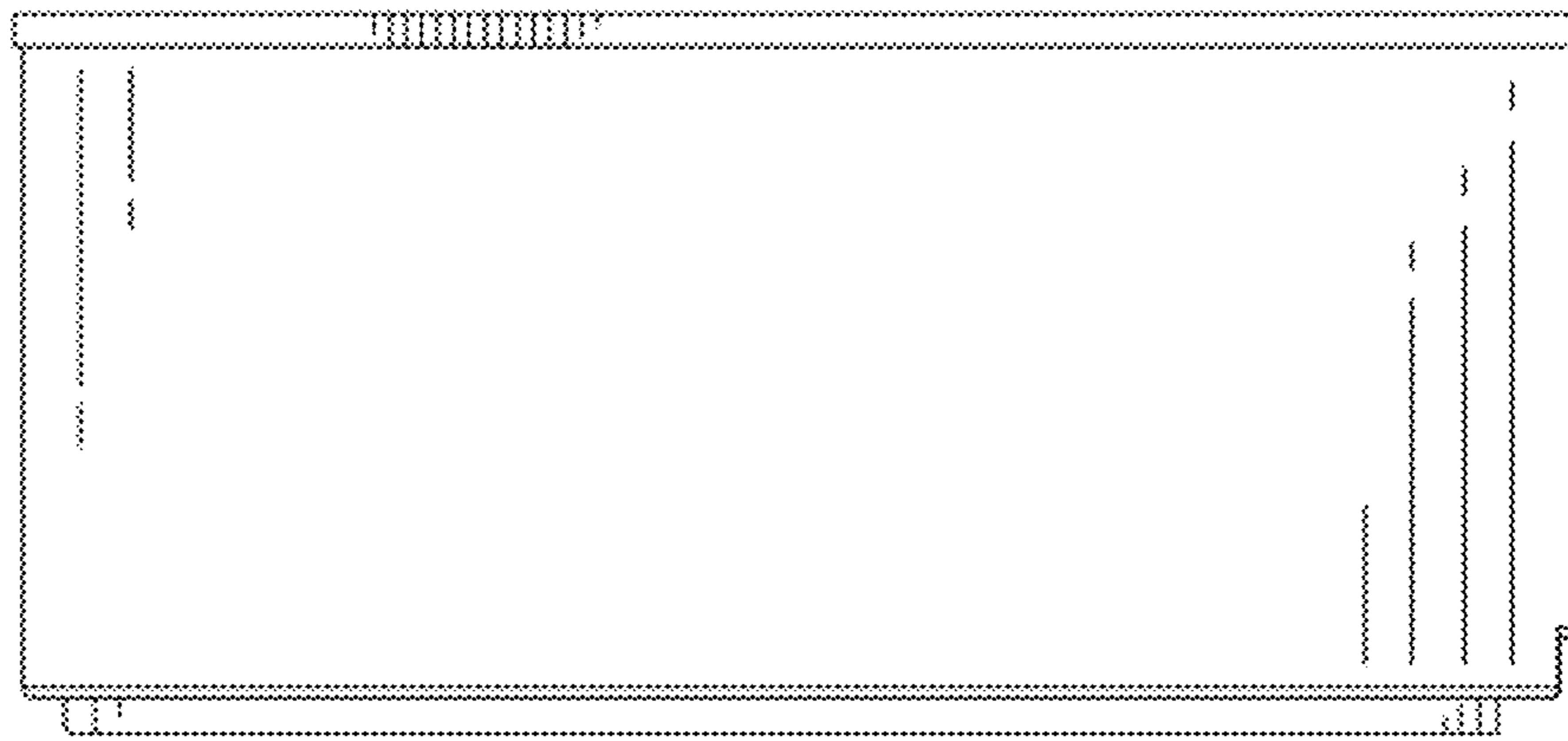


FIG.3

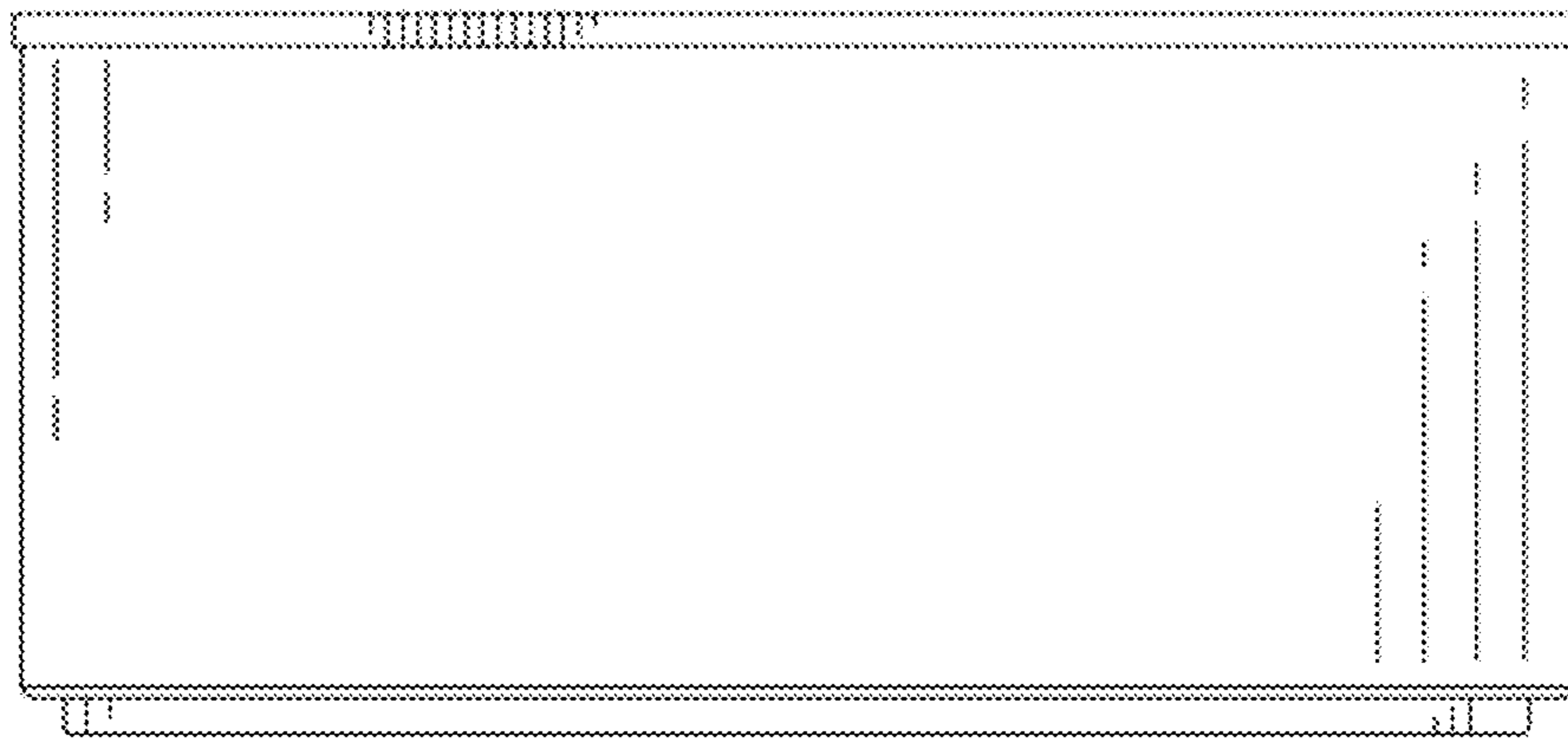


FIG.4

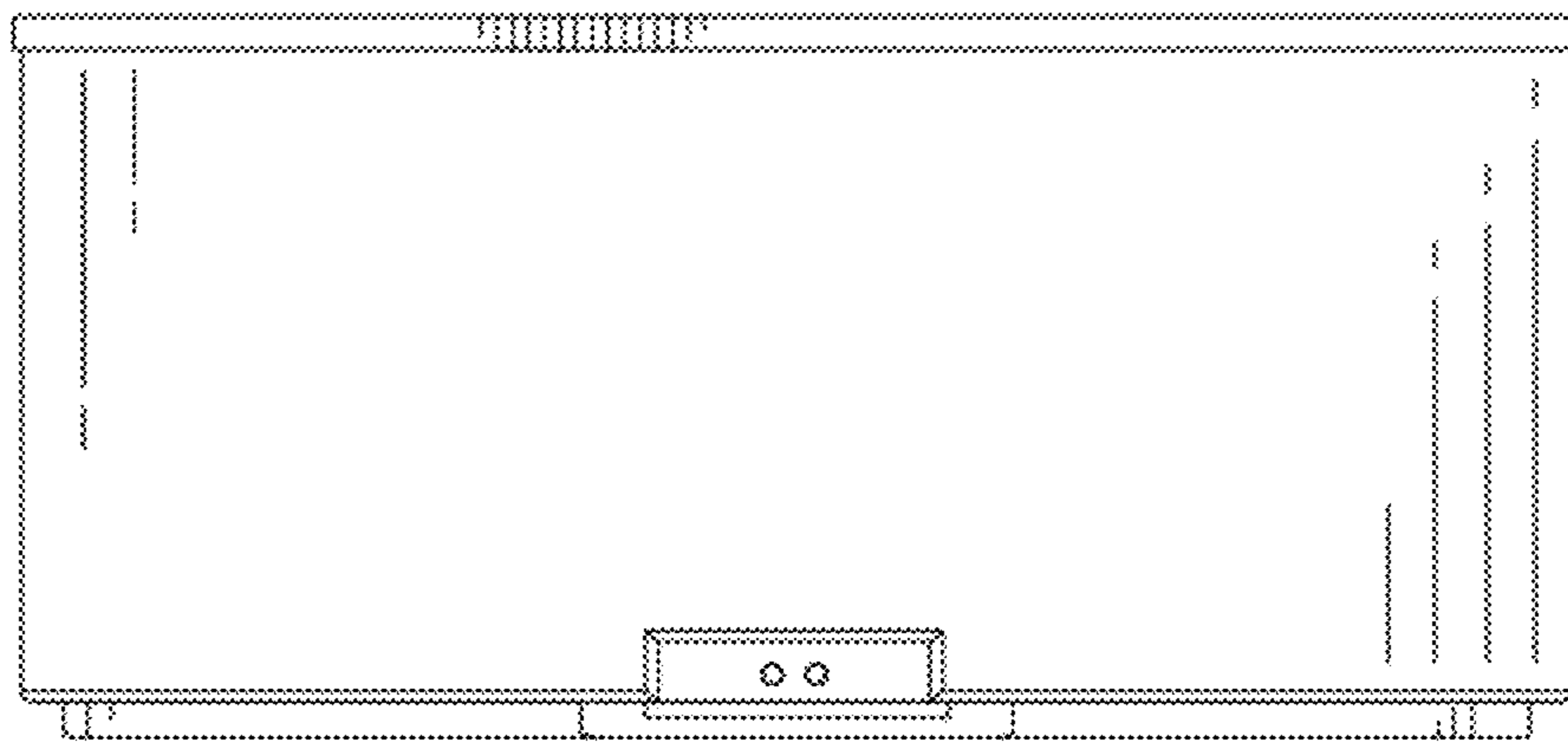


FIG. 5

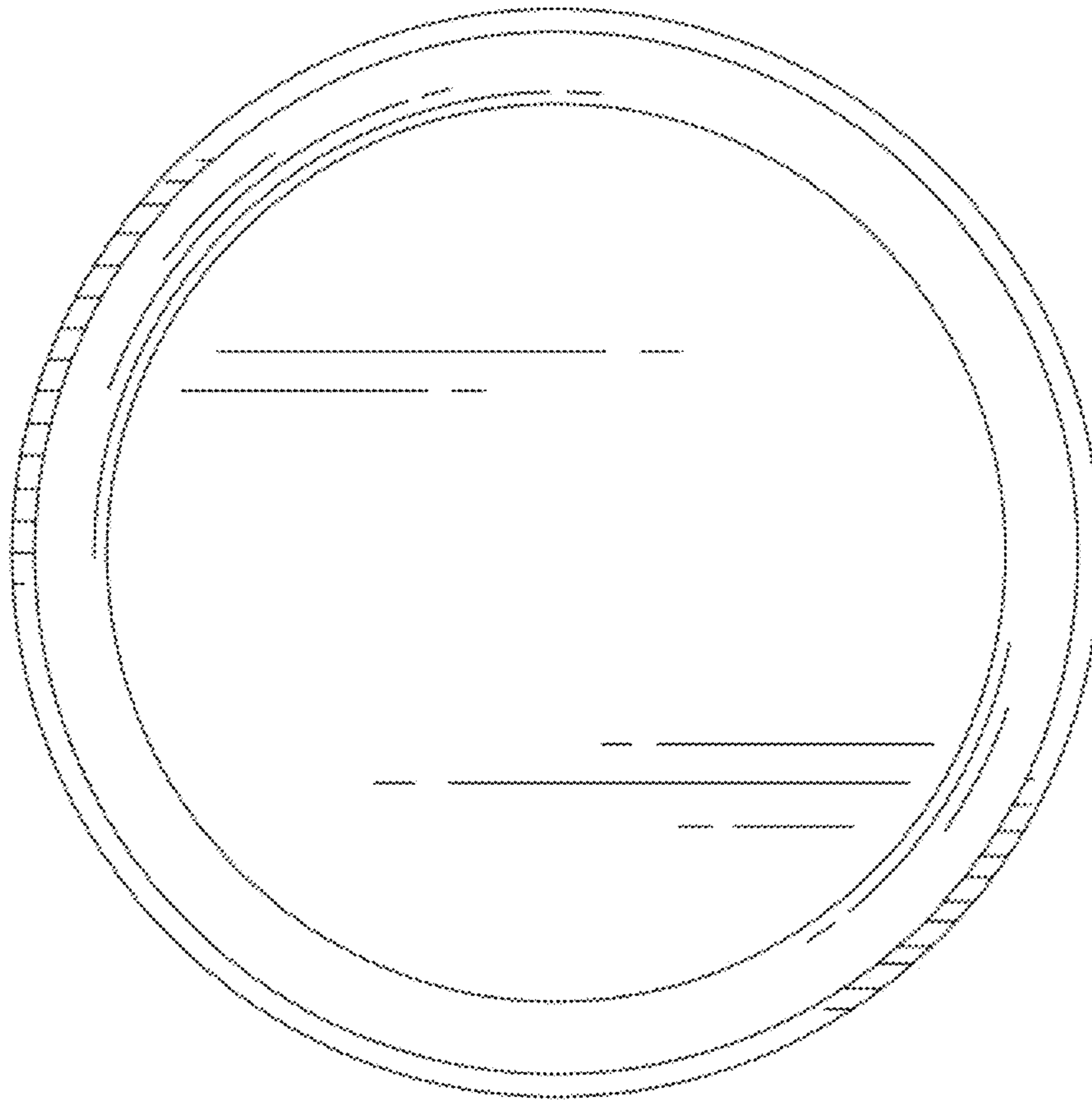


FIG.6



FIG.7

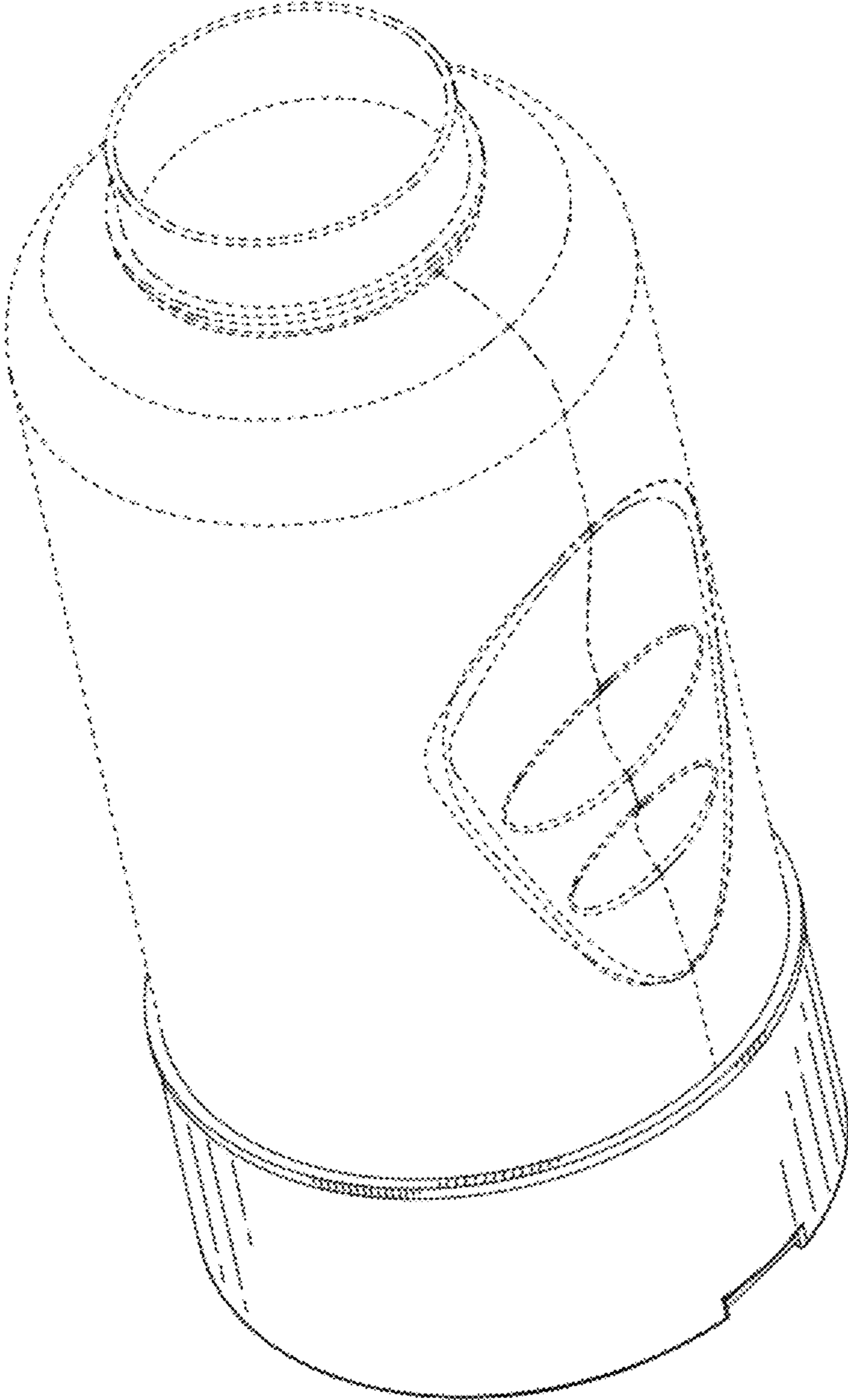


FIG.8