



US00D946353S

(12) **United States Design Patent**  
**Hazen et al.**

(10) **Patent No.:** **US D946,353 S**  
(45) **Date of Patent:** **\*\* Mar. 22, 2022**

- (54) **INSULATING SLEEVE FOR A BEVERAGE CONTAINER**
- (71) Applicant: **Puffin Coolers, LLC**, Bend, OR (US)
- (72) Inventors: **Tyrone Hugh Hazen**, Bend, OR (US);  
**Byron Jay Linton, Jr.**, Bend, OR (US);  
**Christina Joy Linton**, Bend, OR (US)
- (73) Assignee: **PUFFIN COOLERS, LLC**, Bend, OR (US)
- (\*\*) Term: **15 Years**
- (21) Appl. No.: **29/739,782**
- (22) Filed: **Jun. 29, 2020**
- (51) **LOC (13) Cl.** ..... **07-07**
- (52) **U.S. Cl.**  
USPC ..... **D7/606**
- (58) **Field of Classification Search**  
USPC ..... D7/300, 301, 507, 509, 510, 511, 602,  
D7/603, 605, 606, 607, 608, 619.1, 619.2,  
D7/624.2, 624.3, 625, 710  
CPC A47J 31/00; A47J 31/441; A47J 41/00; A47J  
41/02; A47J 43/00; A47J 47/00; A47J  
47/02; A47J 47/08; A47G 19/027; A47G  
19/127; A47G 19/2288; A47G 19/285;  
A47G 23/04; A45F 2200/00; A45F  
2200/0583; B64D 11/06; B63C 9/11;  
B63C 9/115; B65D 1/265; B65D 3/22;  
B65D 81/3453; B65D 81/3865  
See application file for complete search history.

- D388,663 S 1/1998 Rausch
- D480,609 S \* 10/2003 Hicks ..... D7/625
- D481,267 S \* 10/2003 Yamane ..... D2/831
- D482,242 S \* 11/2003 Yamane ..... D2/831
- D482,243 S \* 11/2003 Yamane ..... D2/828
- D482,244 S \* 11/2003 Yamane ..... D2/828
- D482,935 S \* 12/2003 Yamane ..... D2/741
- D484,366 S \* 12/2003 Yamane ..... D2/831
- D494,423 S \* 8/2004 Wright ..... D7/606
- D497,780 S \* 11/2004 Hicks ..... D7/624.2

(Continued)

*Primary Examiner* — Joseph Kukella  
*Assistant Examiner* — Darryl J Dardenne  
(74) *Attorney, Agent, or Firm* — Leber IP Law; Celia H. Leber

(57) **CLAIM**

The ornamental design for an insulating sleeve for a beverage container, as shown and described.

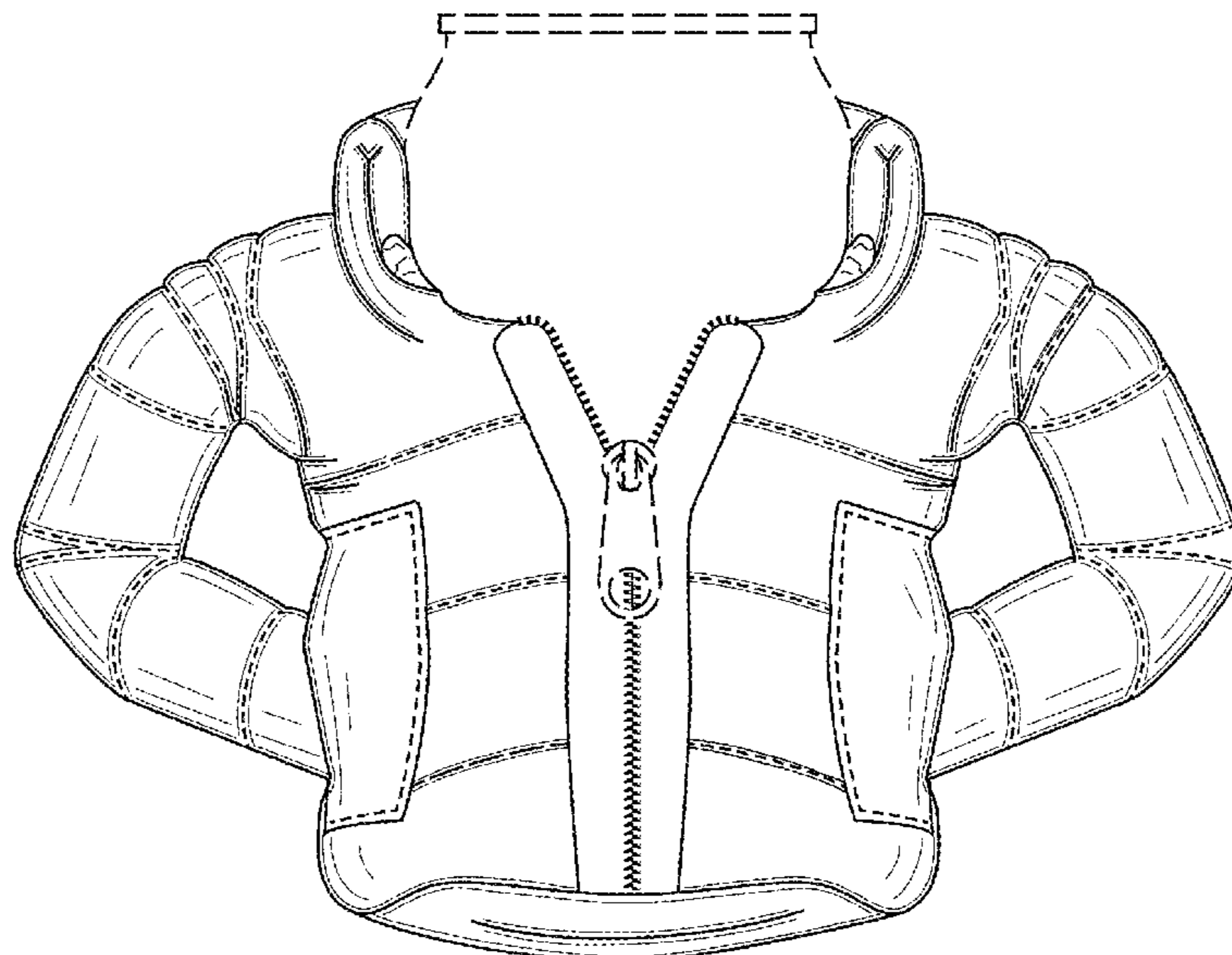
**DESCRIPTION**

FIG. 1 is a front elevation view of a first illustrated embodiment of an insulating sleeve for a beverage container showing our new design;  
FIG. 2 is a rear elevation view thereof;  
FIG. 3 is a right side elevation view thereof;  
FIG. 4 is a left side elevation view thereof;  
FIG. 5 is a top plan view thereof; and,  
FIG. 6 is a bottom plan view thereof.  
The broken lines in the figures are directed to environment forming no part of the claimed design or show portions of the insulating sleeve for a beverage container that form no part of the claimed design. In the drawings the long dash broken lines depict environmental subject matter that forms no part of the claimed design; the short dash lines depict portions of the article that form no part of the claimed design.  
The shade lines in the figures show contour and do not claim surface ornamentation or treatment.

**1 Claim, 3 Drawing Sheets**

(56) **References Cited**  
U.S. PATENT DOCUMENTS

- D290,922 S 7/1987 Herrera
- D303,150 S 8/1989 Falcon
- D335,245 S \* 5/1993 Bauer ..... D7/608
- D335,614 S 5/1993 Diab



(56)

**References Cited**

U.S. PATENT DOCUMENTS

D499,309 S \* 12/2004 Hicks ..... D2/717  
D505,049 S 5/2005 Ramsdale  
D505,838 S \* 6/2005 Hicks ..... D7/624.2  
D623,022 S 9/2010 Phillips  
D651,862 S \* 1/2012 Fontana-Kwon ..... D7/625  
D677,127 S 3/2013 Brown  
D677,995 S \* 3/2013 Chickering, II ..... D7/625  
D688,102 S \* 8/2013 Chu ..... D7/606  
D696,858 S \* 1/2014 Kowalsky ..... D3/229  
D714,100 S \* 9/2014 Hiner ..... D7/607  
D785,807 S 5/2017 Saadia  
2019/0225405 A1 7/2019 Hazen

\* cited by examiner

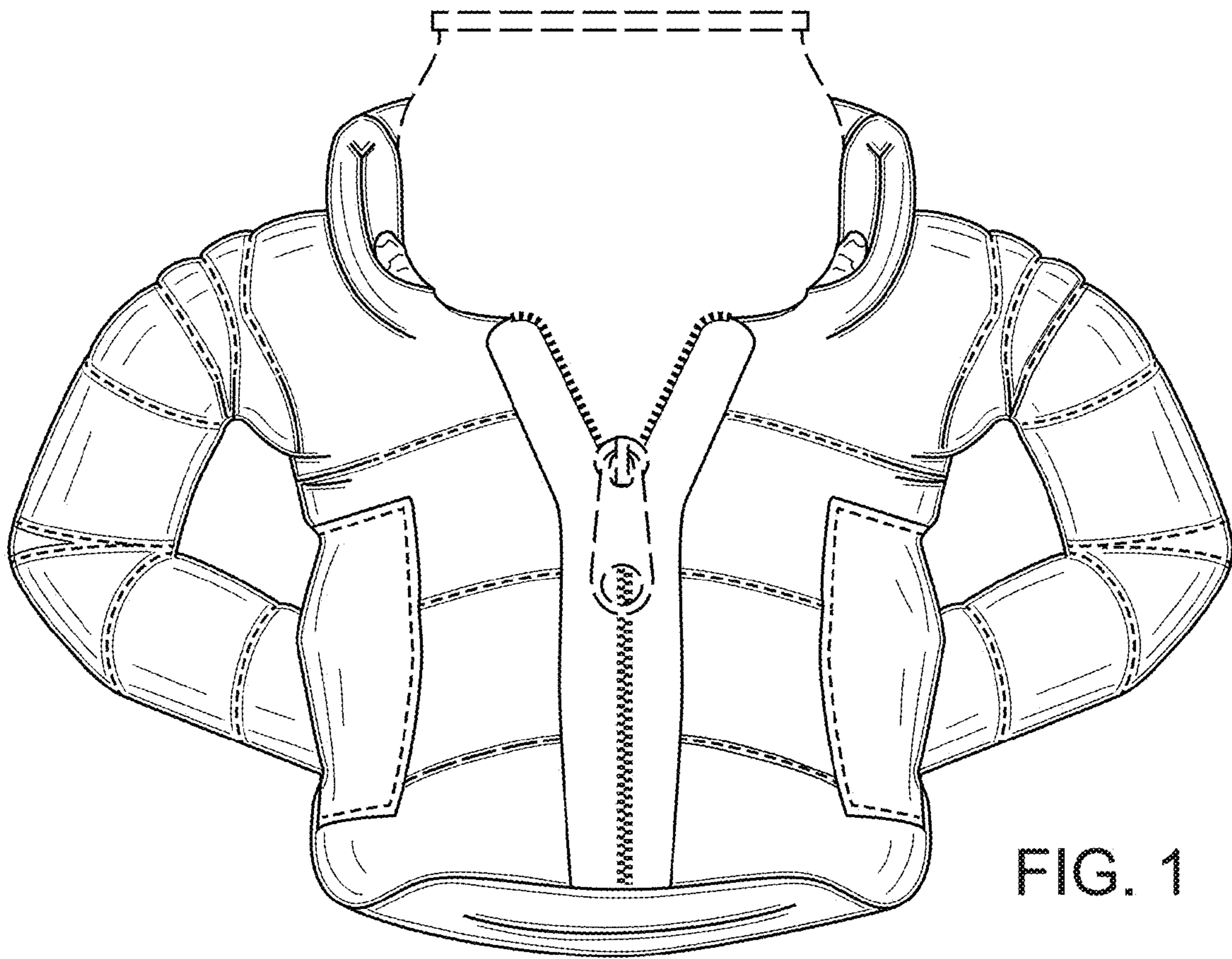


FIG. 1

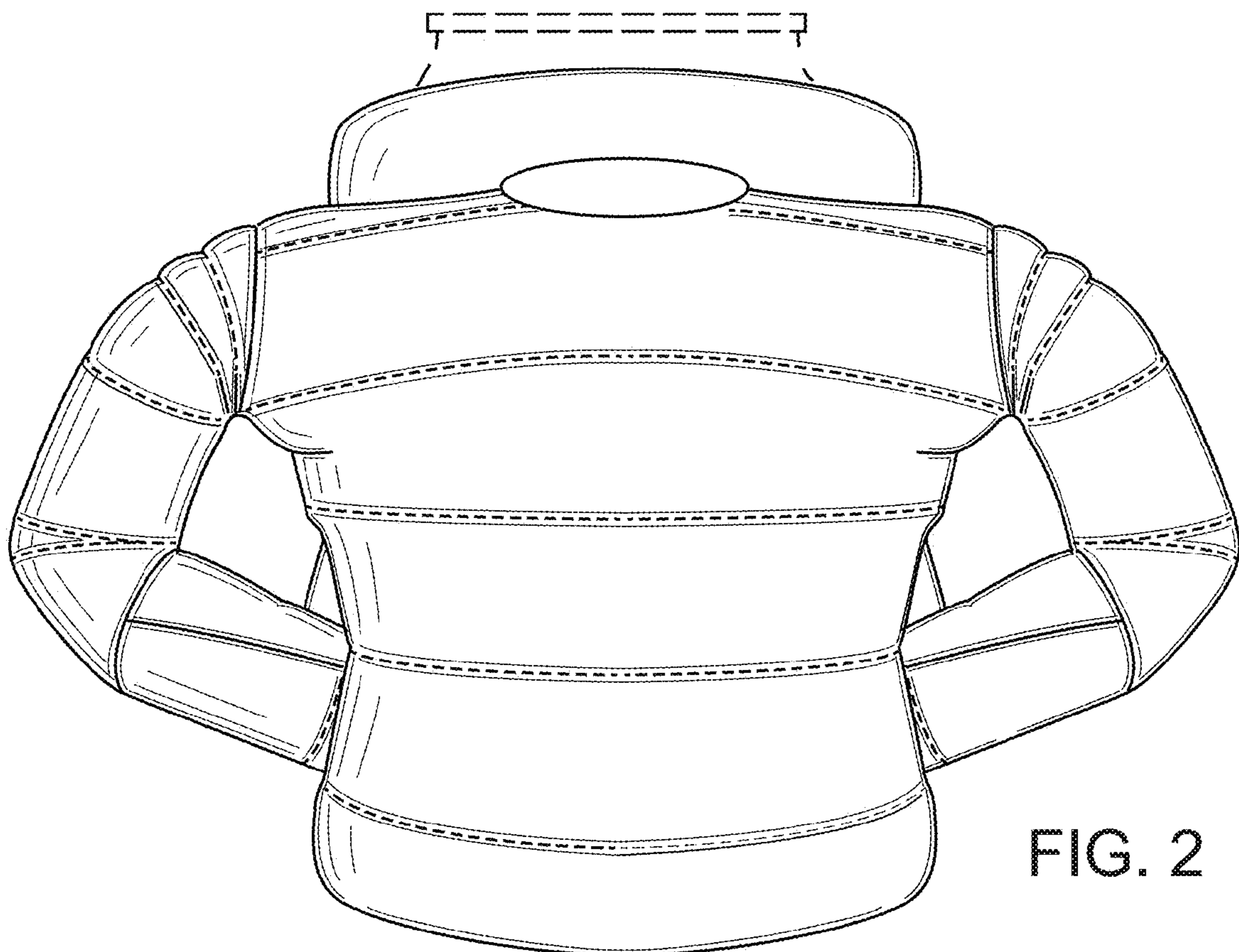


FIG. 2

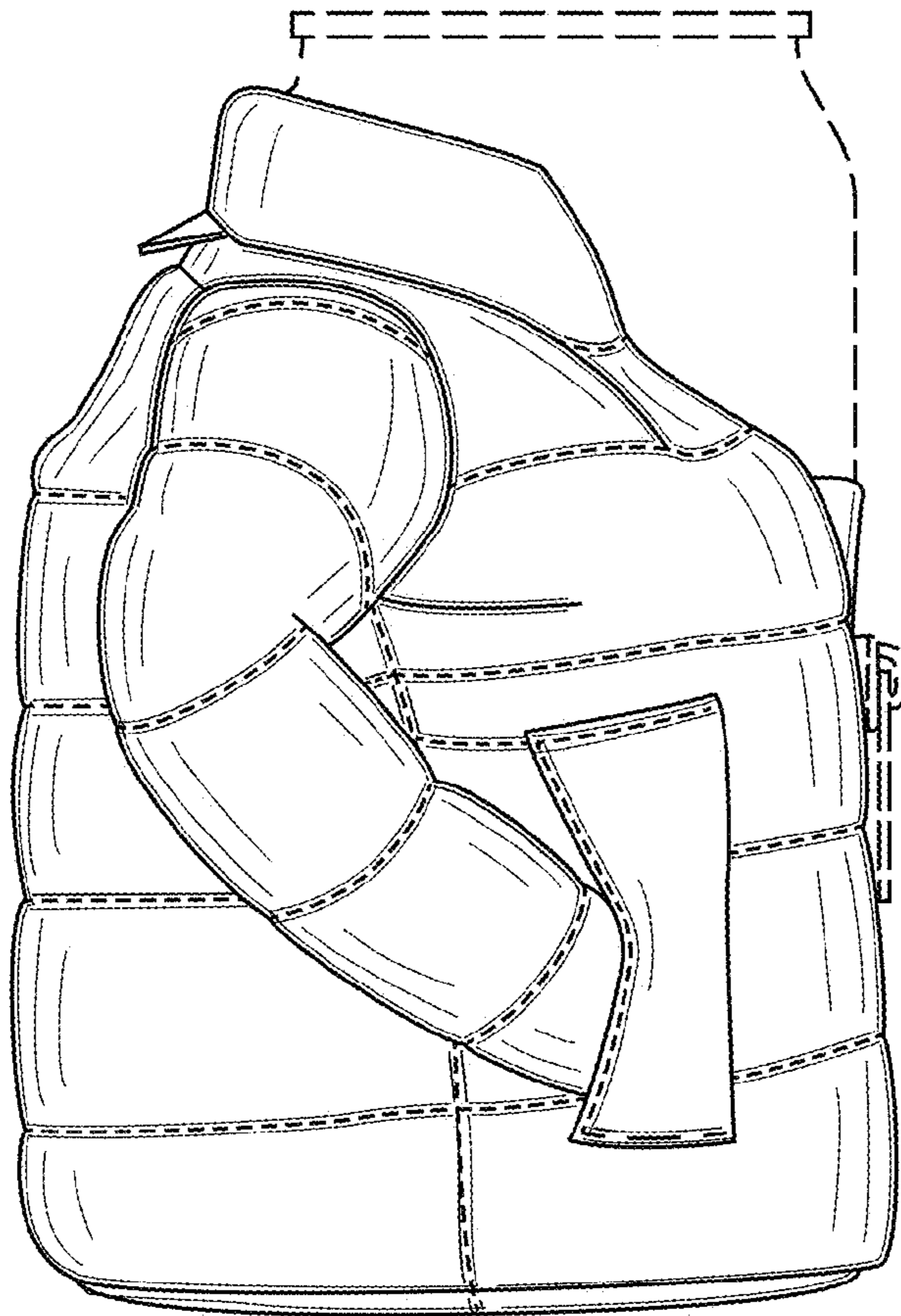


FIG. 3

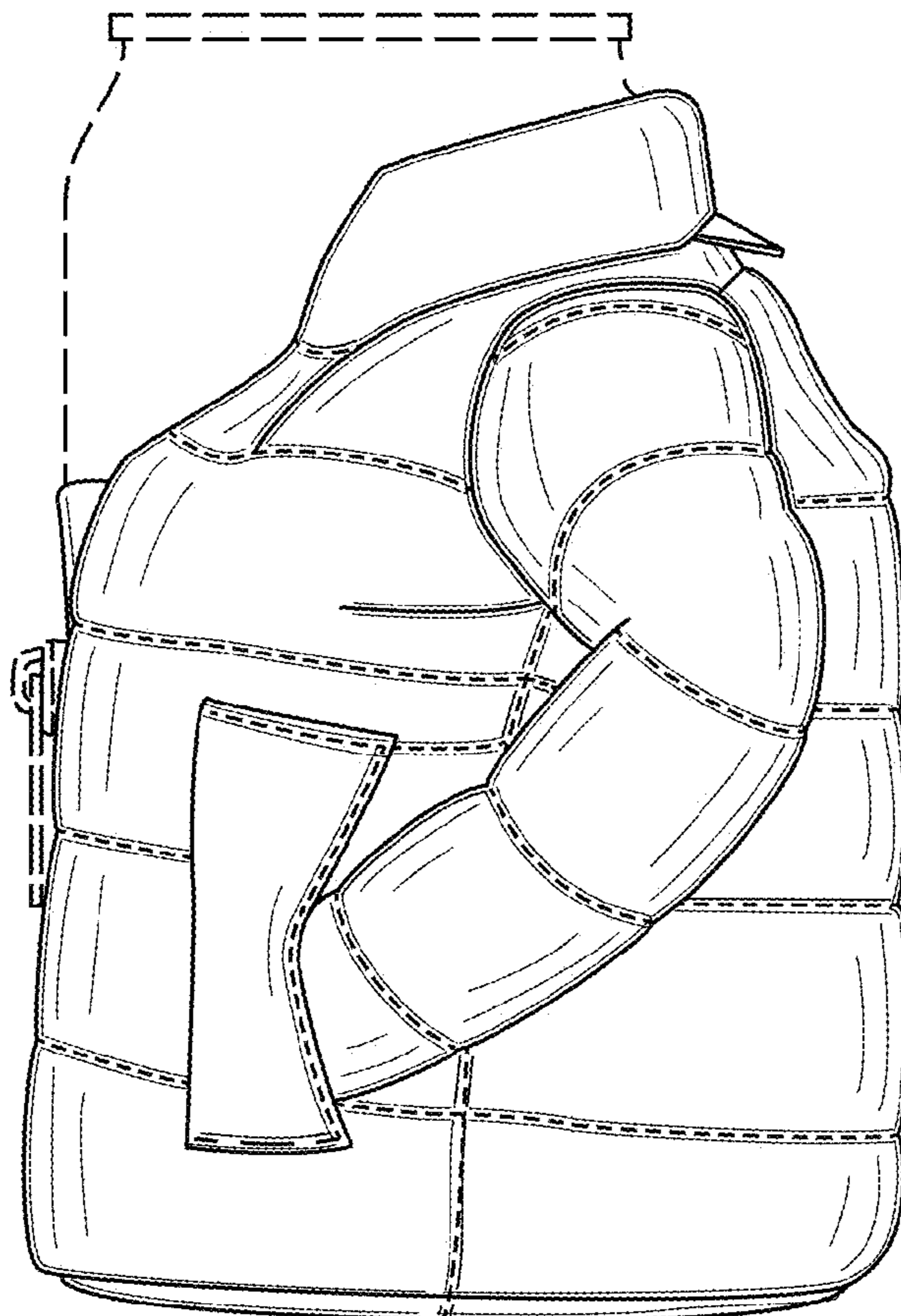


FIG. 4

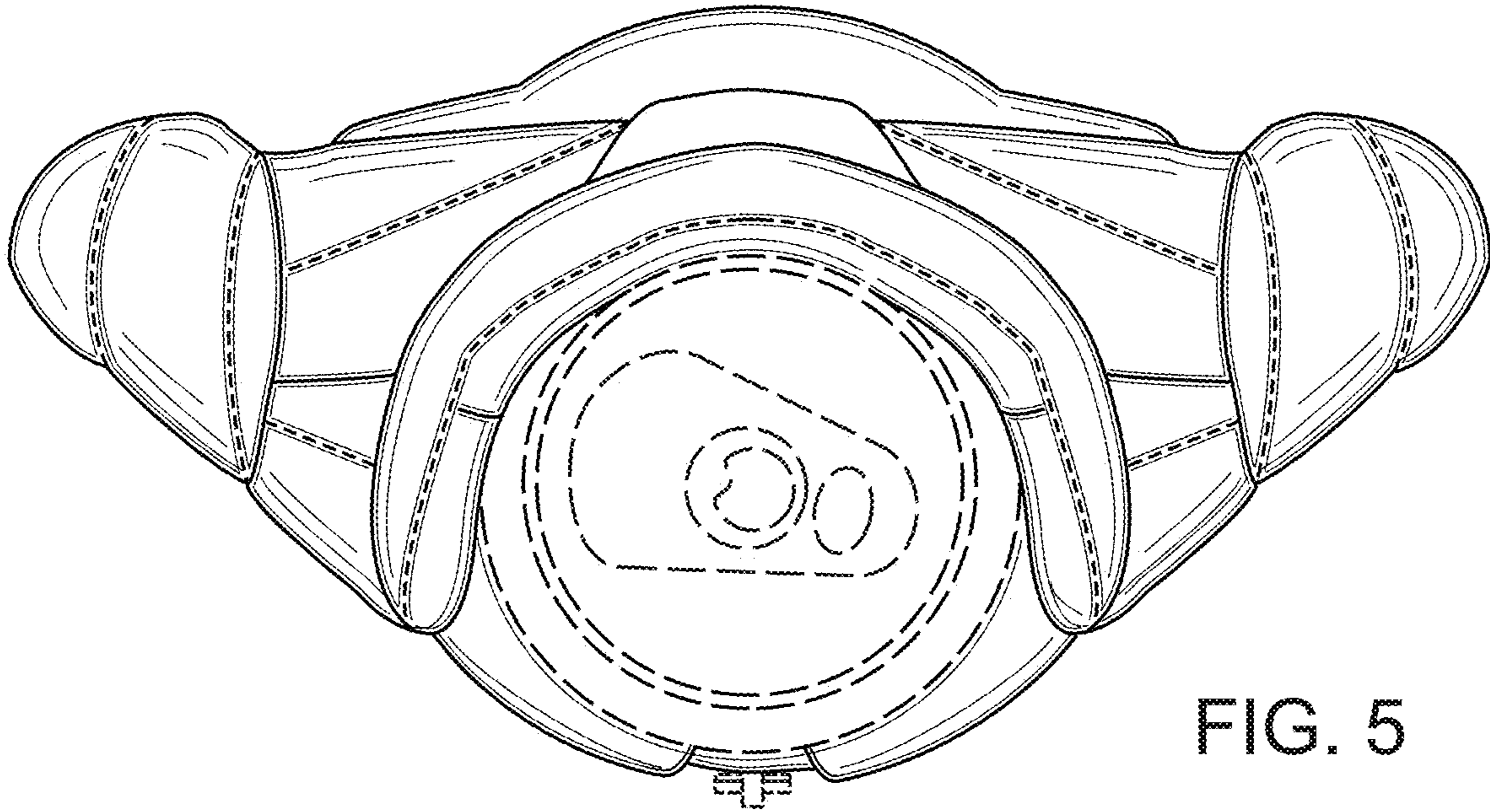


FIG. 5

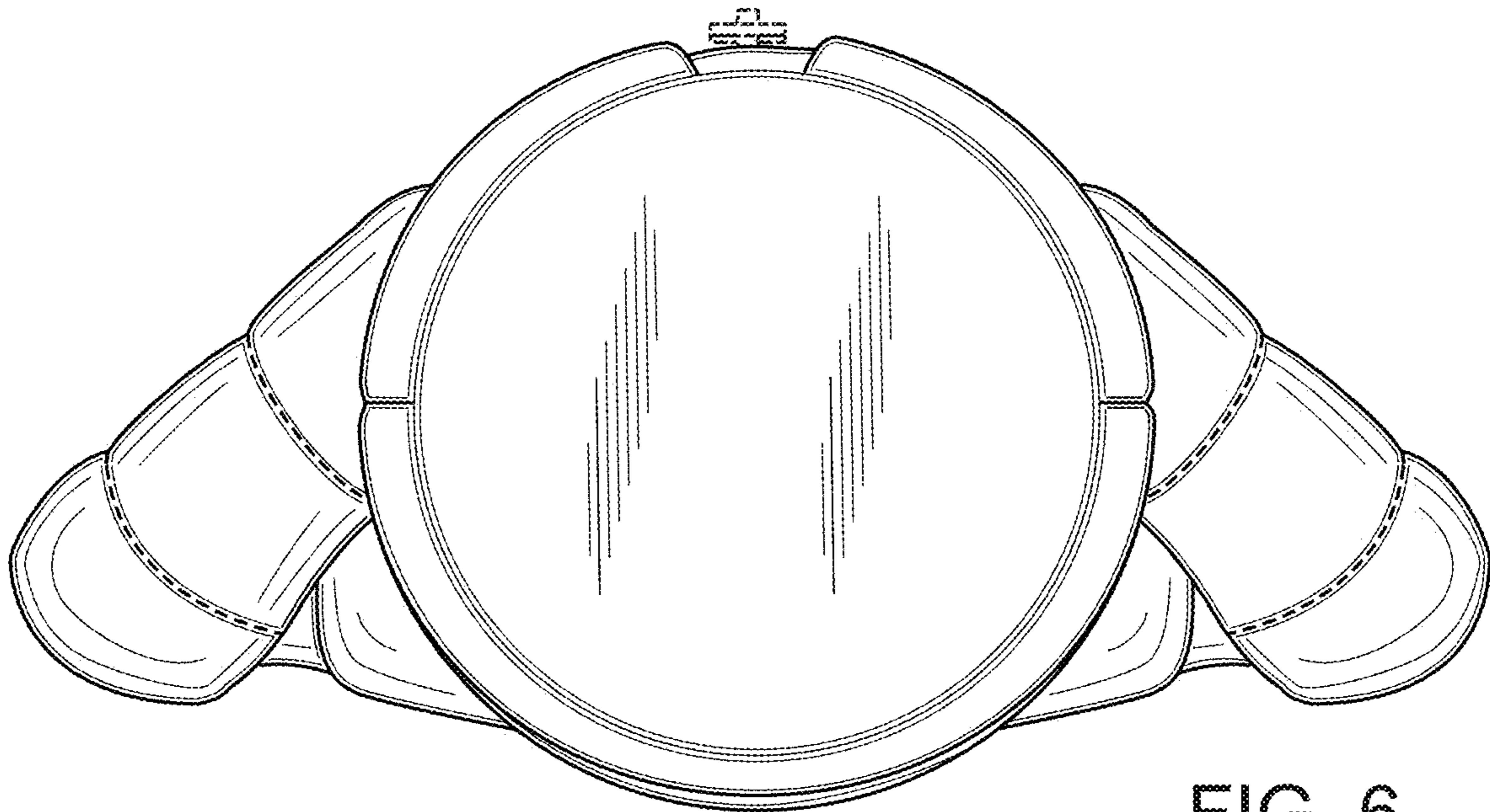


FIG. 6