



US00D946351S

(12) **United States Design Patent**
Barlett

(10) **Patent No.:** **US D946,351 S**
(45) **Date of Patent:** **** Mar. 22, 2022**

(54) **DRINKING CUP FOR CHILDREN**
(71) Applicant: **Omar Barlett**, Jacksonville, FL (US)
(72) Inventor: **Omar Barlett**, Jacksonville, FL (US)
(**) Term: **15 Years**
(21) Appl. No.: **29/724,622**

D473,791 S * 4/2003 Loris D9/438
D501,362 S * 2/2005 Gauss D7/509
D517,375 S * 3/2006 Waymire D7/635
D518,335 S * 4/2006 Naft A47G 19/2266
D7/320
D533,785 S * 12/2006 Corbett D9/538
D582,723 S * 12/2008 Renz D7/509
D596,502 S * 7/2009 Diss D9/500

(Continued)

(22) Filed: **Feb. 18, 2020**
(51) **LOC (13) Cl.** **07-01**
(52) **U.S. Cl.**
USPC **D7/510; D24/197**
(58) **Field of Classification Search**
USPC D7/509–516, 523, 533, 534, 535, 543,
D7/548, 300, 312, 314, 316, 318, 319,
D7/320, 598, 589, 396.2, 507, 300.2, 529,
D7/619.1, 622, 635; 215/229; D24/197,
D24/198, 199; 220/703, 714, 710, 710.5,
220/212.5; D9/436, 440, 447; D3/202
CPC A47G 19/22; A47G 19/2266; A47G
19/2272; A61J 9/00; A61J 9/06; A61J
9/08; A61J 9/085; B65D 41/04
See application file for complete search history.

FOREIGN PATENT DOCUMENTS

CN 301210370 * 5/2010
CN 303148984 * 4/2015

(Continued)

OTHER PUBLICATIONS

Avent Sippy Cup [online] URL: <https://www.amazon.com/Philips-Avent-Sippy-Ounce-colors/dp/B00UFWI7IK> (site visited: Oct. 2021) (Year: 2018).*

(Continued)

Primary Examiner — Jae Liang
Assistant Examiner — Tia Ruth-Renee Polidori
(74) *Attorney, Agent, or Firm* — Harpman + Harpman

(56) **References Cited**

U.S. PATENT DOCUMENTS

D99,093 S * 3/1936 McManus et al. D9/447
D259,231 S * 5/1981 Kozlow, Sr. 604/78
D259,403 S * 6/1981 Frazier, Jr. 220/254.3
D364,314 S * 11/1995 Humphrey D7/510
D364,316 S * 11/1995 Humphrey D7/510
D375,655 S * 11/1996 King D7/510
D376,729 S * 12/1996 Maki D7/509
D398,479 S * 9/1998 Vultaggio D9/540
D408,684 S * 4/1999 Helm D7/510
D421,878 S * 3/2000 Roehrig D7/510
6,230,923 B1 * 5/2001 Hung A47G 19/2272
220/703
D454,642 S * 3/2002 Hakim A61J 9/00
D24/197

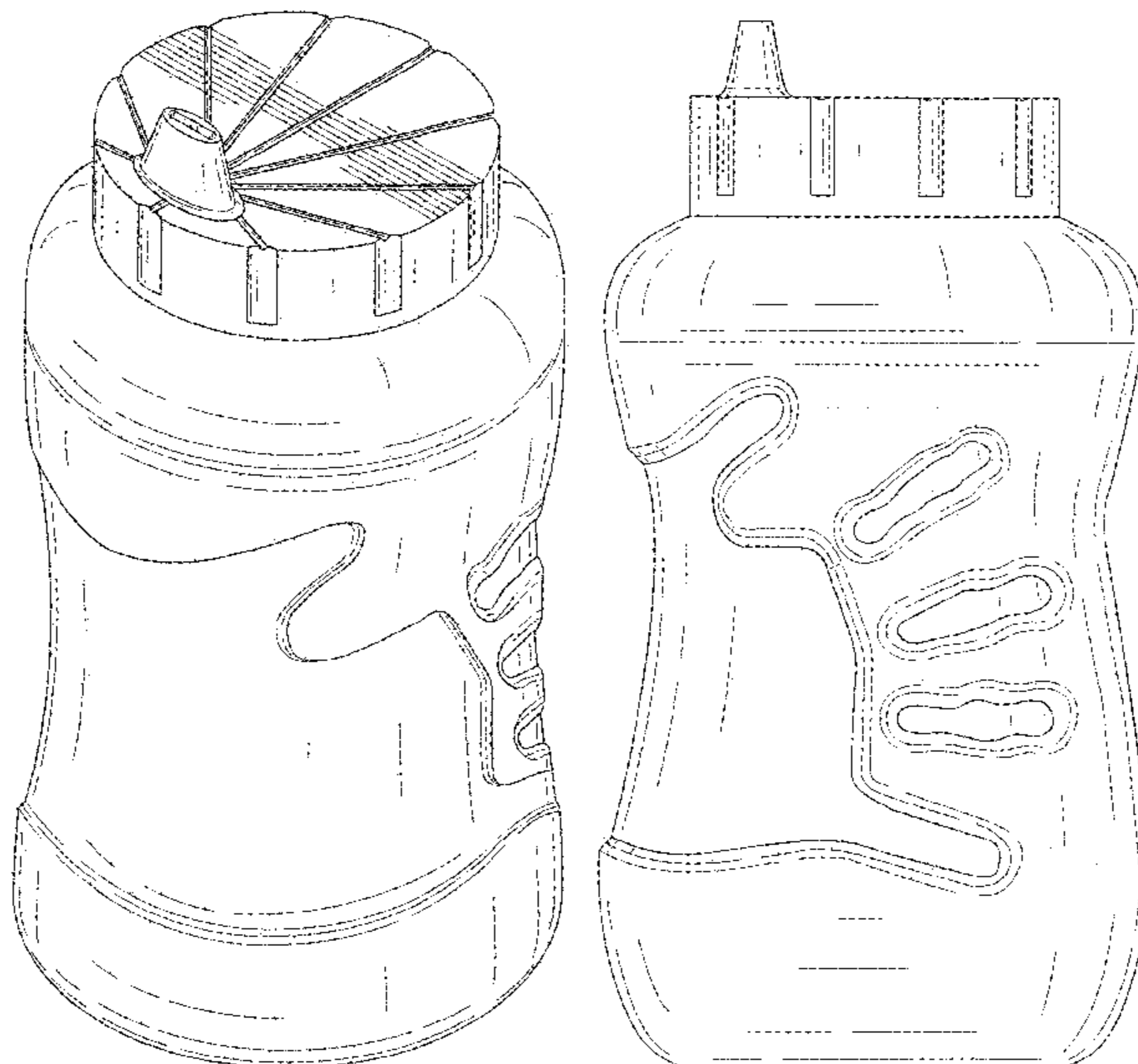
(57) **CLAIM**

The ornamental design for a drinking cup for children, as shown and described.

DESCRIPTION

FIG. 1 is a perspective view of a drinking cup.
FIG. 2 is a front elevational view thereof.
FIG. 3 is a rear elevational view thereof.
FIG. 4 is a right side elevational view of a drinking cup.
FIG. 5 is a left side view of a drinking cup; the right-side view is a mirror image.
FIG. 6 is a top plan view thereof; and,
FIG. 7 is a bottom plan view thereof.

1 Claim, 6 Drawing Sheets



(56)

References Cited

U.S. PATENT DOCUMENTS

D620,309 S * 7/2010 Boonprasop D7/396.2
 D620,315 S * 7/2010 Boonprasop D7/509
 D625,607 S * 10/2010 Heisner D9/539
 D641,887 S * 7/2011 Sirota D24/197
 D661,194 S * 6/2012 Gardela D9/516
 D666,731 S * 9/2012 Mustecaplioğlu D24/197
 D674,101 S * 1/2013 Smith D24/197
 D674,102 S * 1/2013 Smith D24/197
 D675,329 S * 1/2013 Berkovitch D24/197
 D699,108 S * 2/2014 Cox D9/500
 D699,110 S * 2/2014 Cox D9/500
 D700,015 S * 2/2014 Audet D7/514
 D708,900 S * 7/2014 Hakim D7/392.1
 D710,513 S * 8/2014 Boonprasop D24/197
 D744,779 S * 12/2015 Bolland D7/396.4
 D747,927 S * 1/2016 Hakim D7/521
 D748,434 S * 2/2016 Thalmann D7/532
 D751,392 S * 3/2016 Wu D9/436
 D782,243 S * 3/2017 Gieske A47J 42/24
 D815,905 S * 4/2018 Schlegel D7/381
 D831,488 S * 10/2018 Reeber D9/516
 D838,139 S * 1/2019 Cudworth D7/510
 D873,426 S * 1/2020 Tyler D24/197
 D889,973 S * 7/2020 Burns D9/549
 D893,299 S * 8/2020 Kaye D9/500
 D899,854 S * 10/2020 Jacob D7/507
 D902,730 S * 11/2020 Grzadzielski D9/537

D908,438 S * 1/2021 Omura D7/591
 D909,876 S * 2/2021 Sestak D9/539
 D923,185 S * 6/2021 Haxhaj D24/197
 D926,580 S * 8/2021 Burns D9/504
 2011/0056968 A1* 3/2011 McNamara A47G 19/2272
 2014/0069946 A1* 3/2014 Gubitosi A47G 19/2272
 2015/0102029 A1* 4/2015 Bargiel A47G 19/2222
 2015/0231036 A1* 8/2015 Kemper A61J 11/045

FOREIGN PATENT DOCUMENTS

CN 304196550 * 7/2017
 GB 2042390 * 2/1995
 GB 4044461 * 1/2016

OTHER PUBLICATIONS

Gerber Graduates Fun Grips [online] URL: <https://www.amazon.com/Gerber-Graduates-Grips-Assorted-Colors/dp/B00278WA4W> (site visited: Oct. 2021) (Year: 2018).*
 Chicco [online] URL: <https://www.amazon.com/Chicco-Semi-Soft-Spout-Trainer-Months/dp/B07WWYPPKD/> (site visited: Oct. 2021) (Year: 2020).*

* cited by examiner

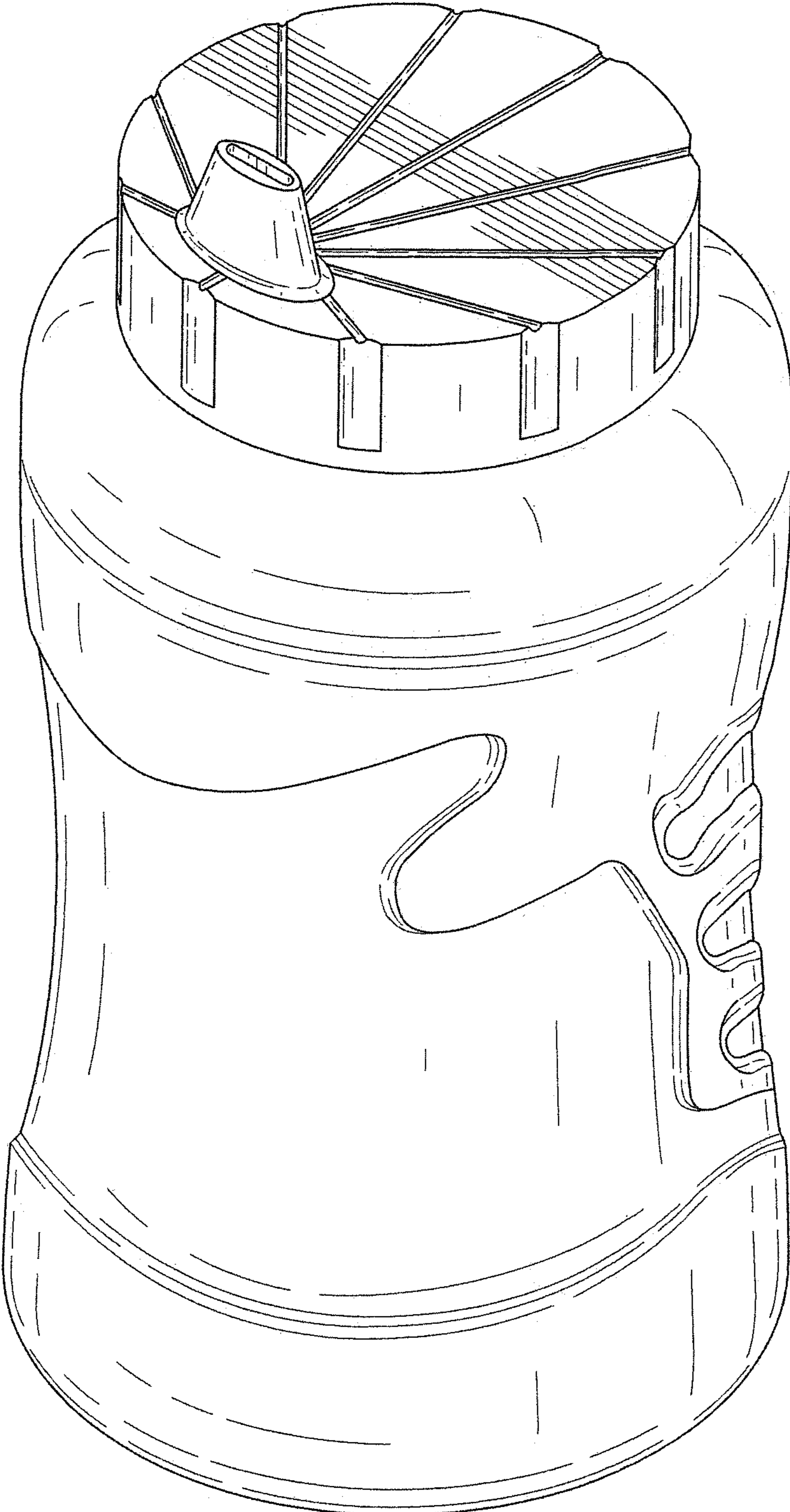


FIG. 1

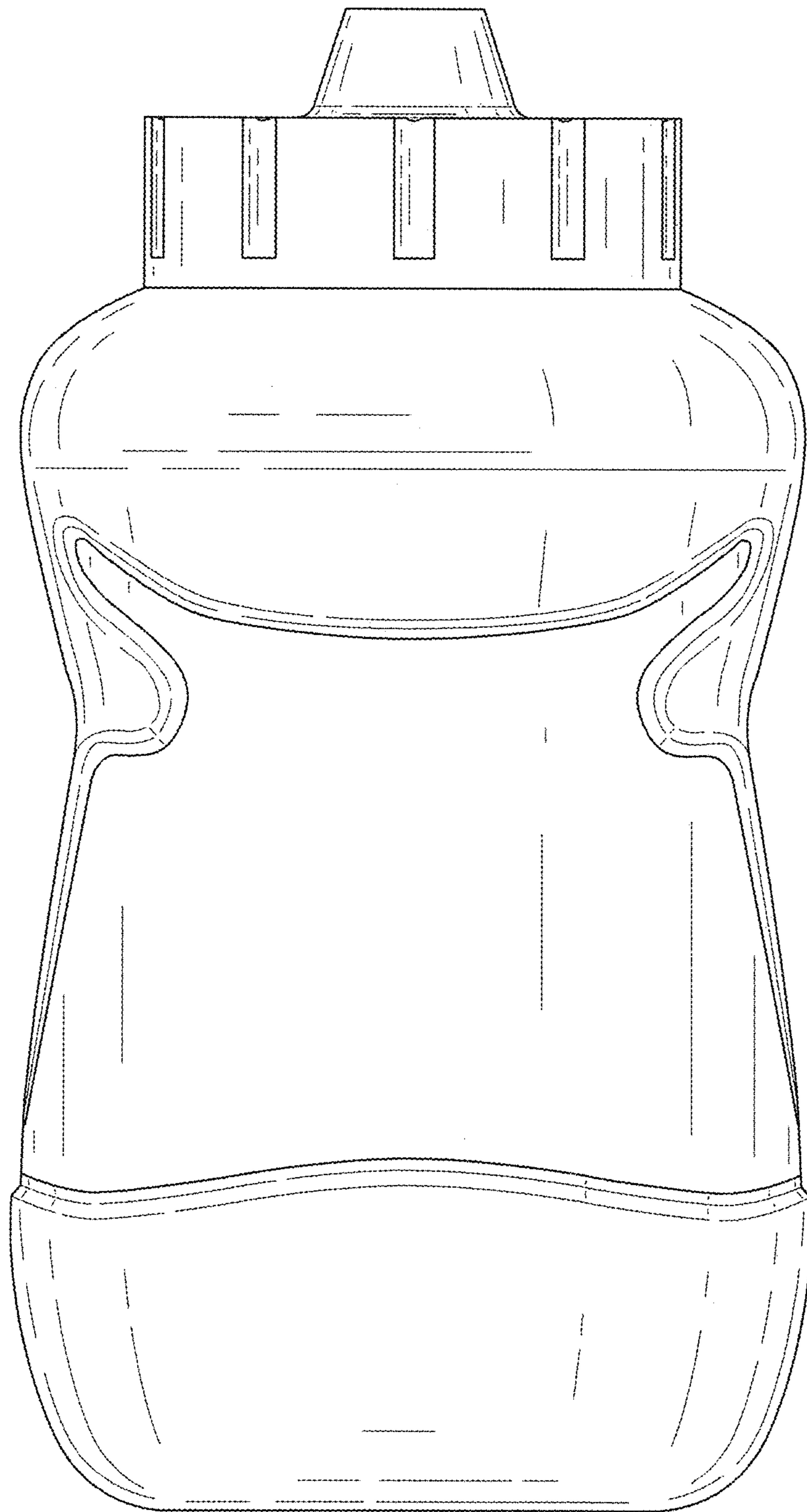


FIG. 2

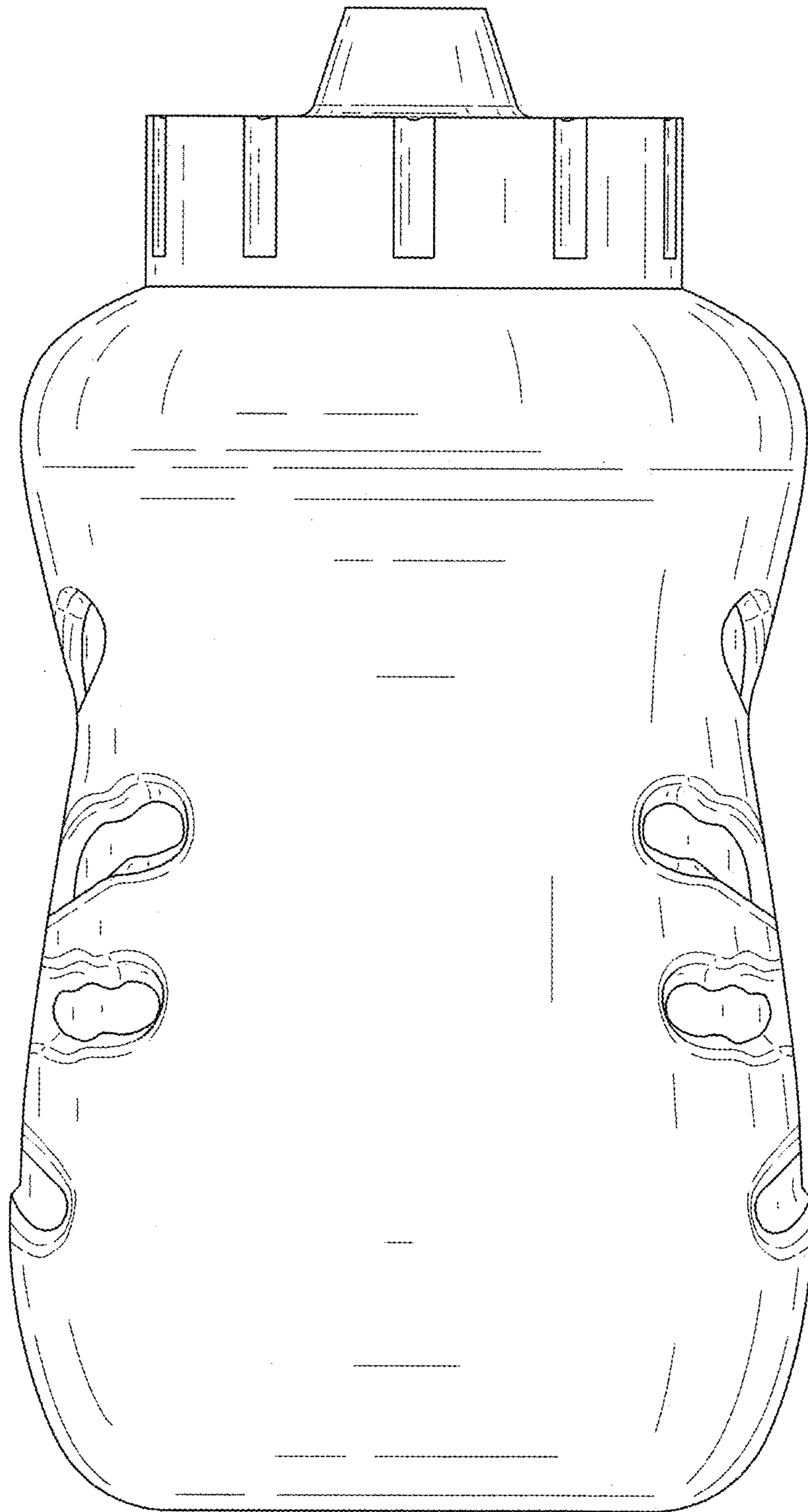


FIG. 3

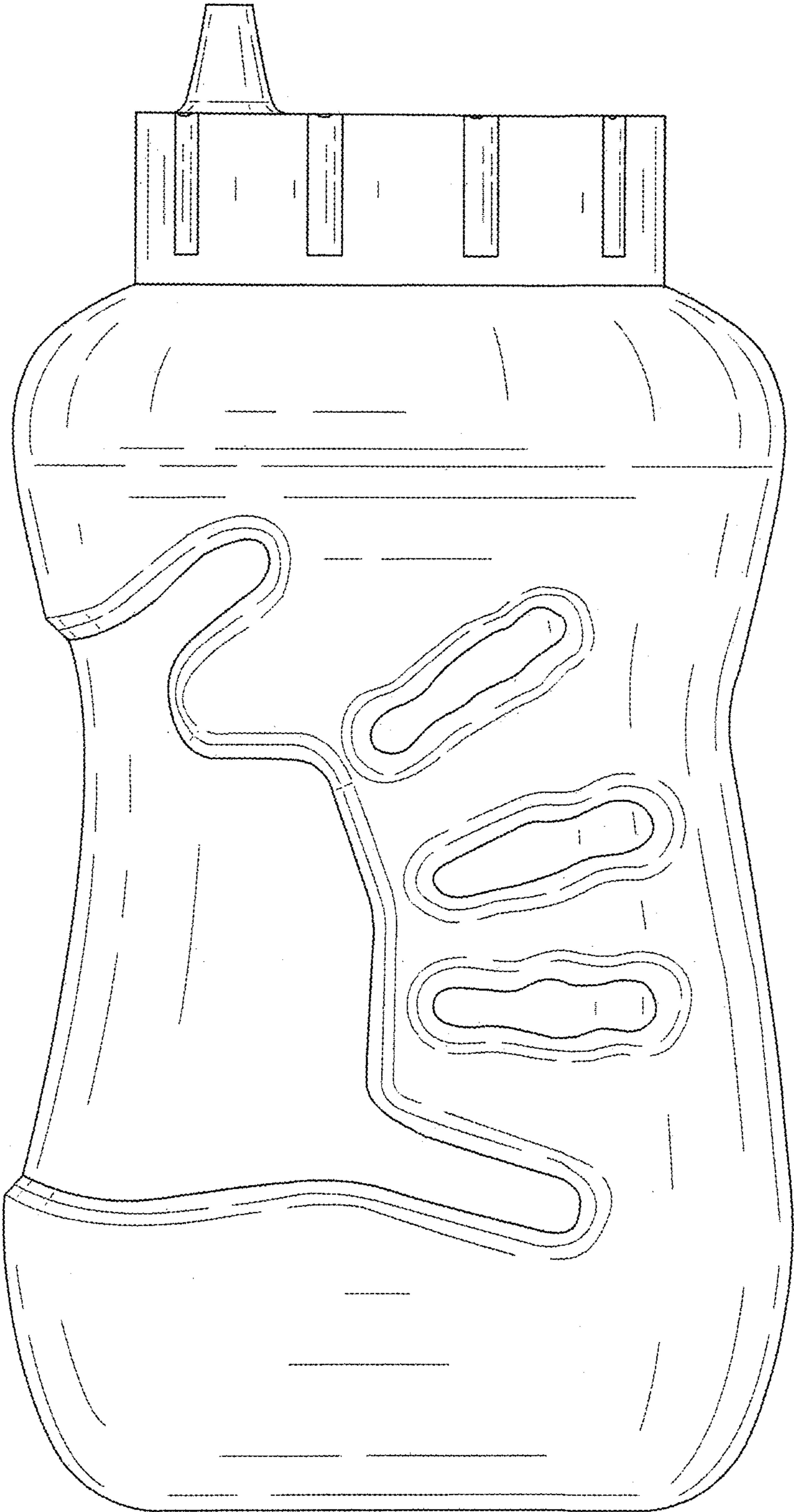


FIG. 4

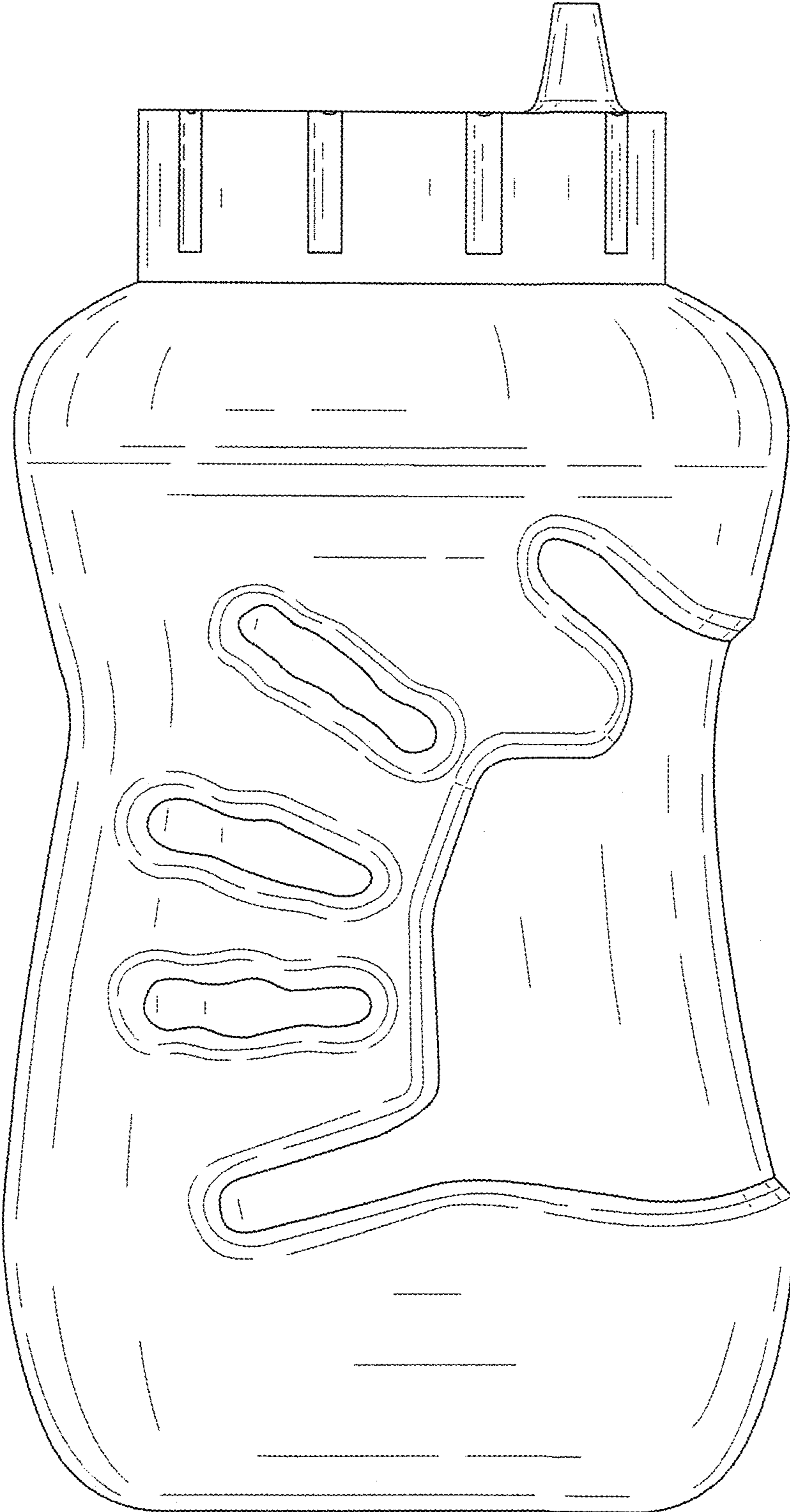


FIG. 5

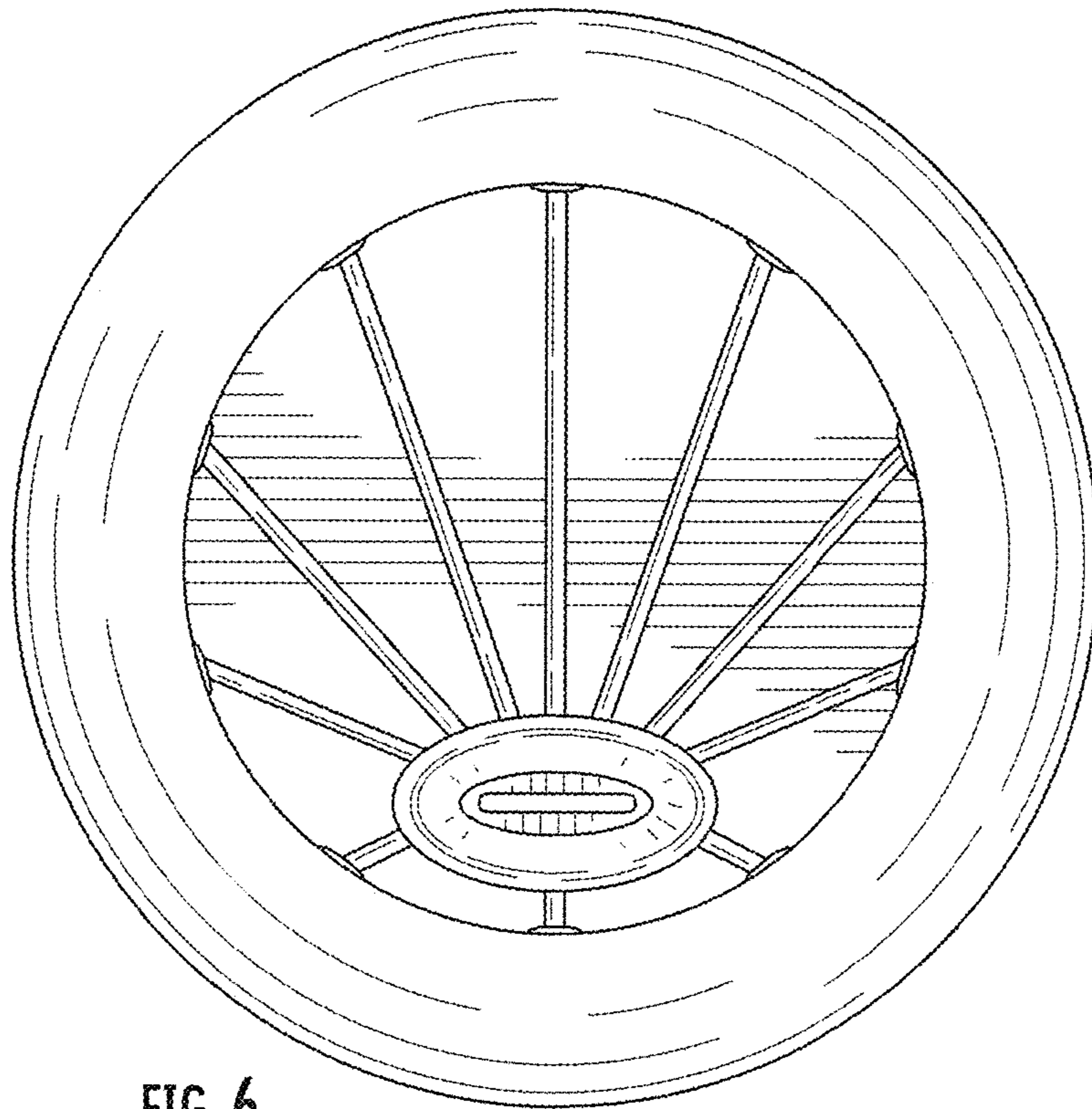


FIG. 6

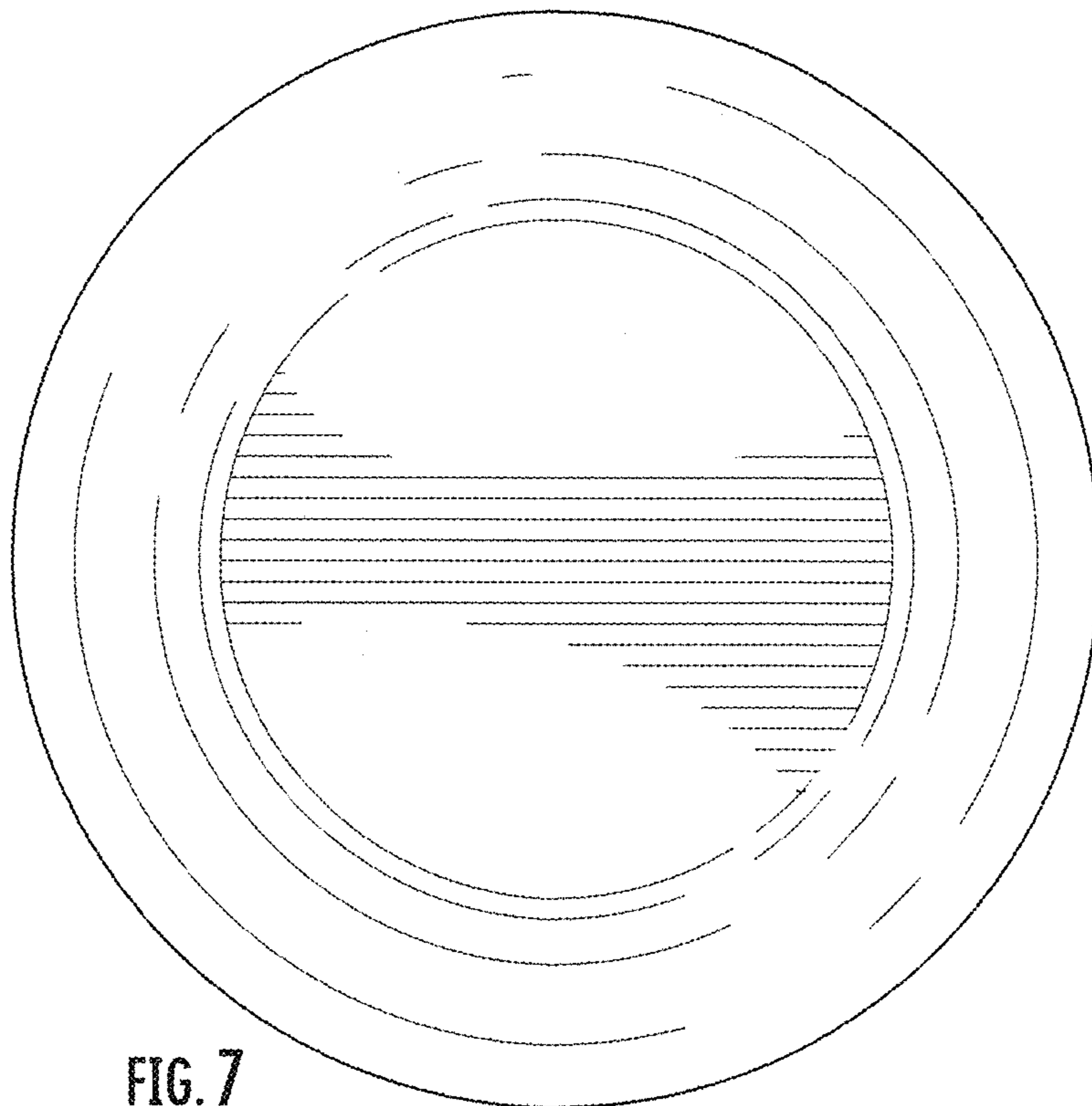


FIG. 7