

US00D946350S

(12) **United States Design Patent**
Minard et al.

(10) **Patent No.:** **US D946,350 S**
(45) **Date of Patent:** **** Mar. 22, 2022**

(54) **EXTRUSION FITTING**

(71) Applicant: **TAYLOR COMMERCIAL FOODSERVICE, LLC**, Rockton, IL (US)

(72) Inventors: **James J. Minard**, Rockton, IL (US);
Nathan A. Matz, Rockton, IL (US)

(73) Assignee: **TAYLOR COMMERCIAL FOODSERVICE, LLC**, Rockton, IL (US)

(**) Term: **15 Years**

(21) Appl. No.: **29/697,353**

(22) Filed: **Jul. 8, 2019**

(51) **LOC (13) Cl.** **31-00**

(52) **U.S. Cl.**
USPC **D7/412**

(58) **Field of Classification Search**
USPC D7/372, 376-386, 412-413, 602, 629,
D7/665-666, 669, 679, 693-694
(Continued)

(56) **References Cited**

U.S. PATENT DOCUMENTS

D181,157 S * 10/1957 Madl D7/372
5,486,100 A * 1/1996 Hsu A21C 1/02
366/309

(Continued)

FOREIGN PATENT DOCUMENTS

EP 2267340 12/2010
WO 2017/176580 10/2017

(Continued)

OTHER PUBLICATIONS

Search Report & Written Opinion issued in Int'l Appl. No. PCT/US2020/040861 (2020).

(Continued)

Primary Examiner — Ricky Pham

(74) *Attorney, Agent, or Firm* — Barnes & Thornburg LLP

(57) **CLAIM**

We claim the ornamental design for an extrusion fitting, as shown and described.

DESCRIPTION

FIG. 1 is a top perspective view of a first embodiment of an extrusion fitting;

FIG. 2 is a top plan view thereof;

FIG. 3 is a bottom plan view thereof;

FIG. 4 is a front elevation view thereof;

FIG. 5 is a rear elevation view thereof;

FIG. 6 is a right side elevation view thereof;

FIG. 7 is a left side elevation view thereof; and

FIG. 8 is transverse section view thereof, taken along line 8-8 of FIG. 2;

FIG. 9 is a top perspective view of a second embodiment of an extrusion fitting;

FIG. 10 is a top plan view thereof;

FIG. 11 is a bottom plan view thereof;

FIG. 12 is a front elevation view thereof;

FIG. 13 is a rear elevation view thereof;

FIG. 14 is a right side elevation view thereof;

FIG. 15 is a left side elevation view thereof; and

FIG. 16 is transverse section view thereof, taken along line 16-16 of FIG. 10;

FIG. 17 is a top perspective view of a third embodiment of an extrusion fitting;

FIG. 18 is a top plan view thereof;

FIG. 19 is a bottom plan view thereof;

FIG. 20 is a front elevation view thereof;

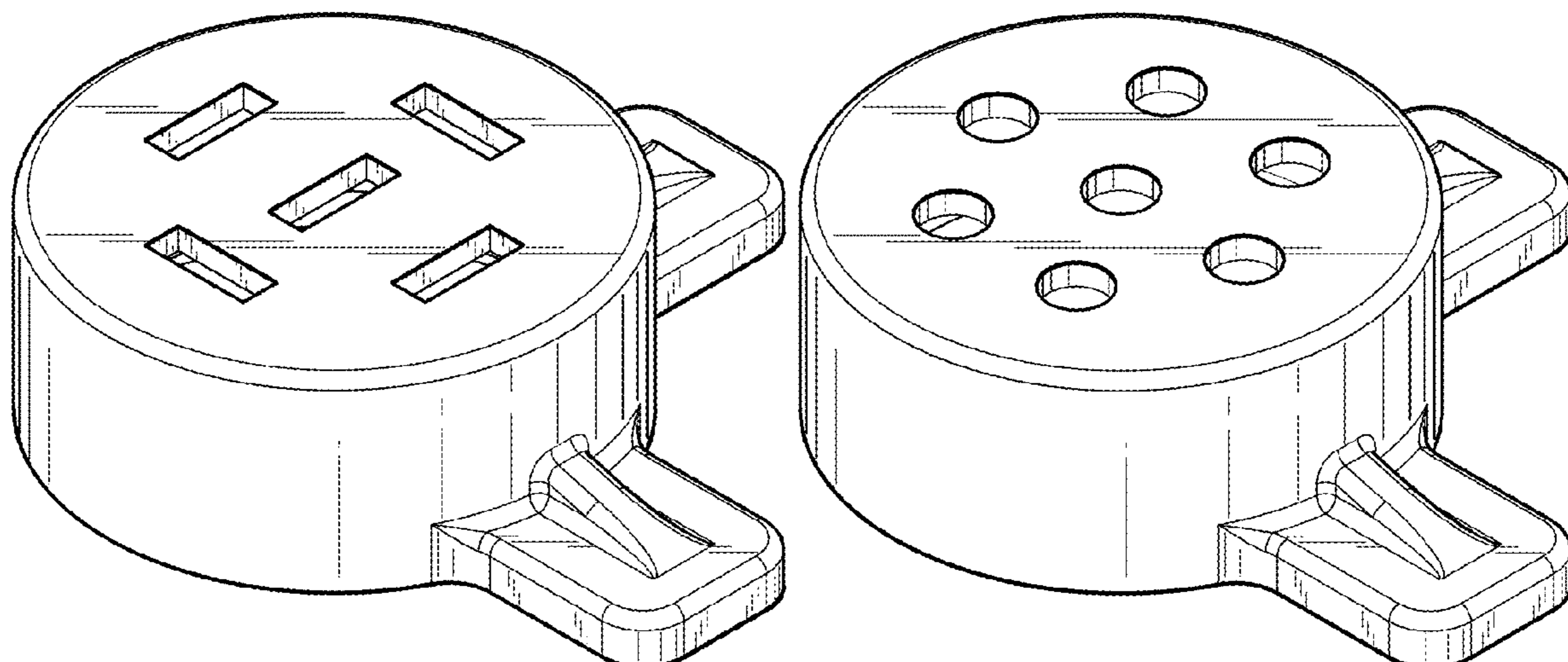
FIG. 21 is a rear elevation view thereof;

FIG. 22 is a right side elevation view thereof;

FIG. 23 is a left side elevation view thereof; and,

FIG. 24 is transverse section view thereof, taken along line 24-24 of FIG. 18.

1 Claim, 12 Drawing Sheets



(58) **Field of Classification Search**

CPC A21C 1/02; A21C 1/04; A23N 1/00; A23N 1/02; A47J 43/04; A47J 43/25; A47J 43/27; A47J 43/042; A47J 43/044; A47J 43/046; A47J 43/075; A47J 43/0722; A47J 43/0727; A47J 43/0766; B01F 3/00; B01F 3/0807; B01F 3/0853; B01F 13/0059; B01F 13/0064; B02C 1/08; B02C 2/04; B02C 4/42; B02C 4/142; B02C 4/143; B02C 4/423; B02C 13/1835; B02C 18/305; B28C 5/10; B28C 5/12; B28C 5/14; B28C 5/16; B67D 1/0027; B67D 1/0044; B67D 1/0855; B67D 1/0048; F16K 11/0743; F16K 11/0704; F04B 13/02; A23G 9/045

See application file for complete search history.

(56) **References Cited**

U.S. PATENT DOCUMENTS

6,012,488 A * 1/2000 Nichols F16K 11/0743
137/625.11
6,490,872 B1 12/2002 Beck
6,494,055 B1 12/2002 Meserole
6,553,779 B1 4/2003 Boyer
6,735,967 B1 5/2004 Bishcel
6,892,899 B2 5/2005 Minard
6,948,327 B2 9/2005 Bischel
6,986,441 B2 1/2006 Scordato
7,014,076 B2 3/2006 Minard
7,048,523 B2 5/2006 Bush
D534,393 S * 1/2007 de Groote D7/376
7,207,510 B2 * 4/2007 Wong B02C 18/305
241/82.1
7,278,276 B2 10/2007 Boyer
7,299,944 B2 11/2007 Roady
7,318,666 B1 * 1/2008 Lin A47J 43/0766
241/37.5
7,798,367 B2 * 9/2010 Minard B67D 1/0044
222/145.6
8,025,184 B2 * 9/2011 Minard B67D 1/0855
222/129.3
8,240,909 B2 * 8/2012 Athey A47J 43/0766
366/205
8,714,410 B2 5/2014 Wadle
D712,696 S * 9/2014 Huber D7/372
9,487,383 B2 11/2016 Minard
9,661,867 B2 5/2017 Minard

9,765,891 B2 9/2017 Bischel
9,848,620 B2 12/2017 Minard
9,903,495 B2 2/2018 Matz
9,943,088 B2 4/2018 Newton
10,194,678 B2 2/2019 Bischel
D885,116 S * 5/2020 Krivos D7/378
D885,822 S * 6/2020 McConnell D7/372
10,785,993 B2 * 9/2020 Minard A23G 9/28
2002/0043071 A1 * 4/2002 Frank A23G 9/045
62/135
2004/0089830 A1 * 5/2004 Beyrak F16K 11/0704
251/90
2004/0182092 A1 * 9/2004 Bush F04B 13/02
62/66
2005/0072799 A1 * 4/2005 Stratton B67D 1/0027
222/129.1
2006/0255066 A1 * 11/2006 Kannar A23G 9/045
222/145.3
2007/0131711 A1 * 6/2007 Minard B67D 1/0078
222/105
2007/0131715 A1 * 6/2007 Minard B67D 1/0048
222/145.5
2008/0148965 A1 6/2008 Bravo et al.
2008/0302818 A1 12/2008 Minard
2012/0104046 A1 5/2012 Wadle
2014/0367424 A1 12/2014 Newton
2017/0042180 A1 2/2017 Bush
2017/0367370 A1 12/2017 Frisque
2018/0206520 A1 6/2018 Newton
2019/0000109 A1 1/2019 Bischel
2019/0056182 A1 2/2019 Bischel
2019/0110498 A1 4/2019 Minard

FOREIGN PATENT DOCUMENTS

WO 2017/176609 10/2017
WO 2017/210151 12/2017
WO 2017/214357 12/2017
WO 2018/009640 1/2018
WO 2018/071334 4/2018
WO 2018/140716 8/2018
WO 2020/264127 12/2020
WO 2021/007145 1/2021

OTHER PUBLICATIONS

Thomas, Pete, "How to Prepare Spaghetti Ice Cream," retrieved from the Internet at: <https://www.youtube.com/watch?v=jw-oTSU-JOM>, (Oct. 31, 2016).

* cited by examiner

FIG. 1

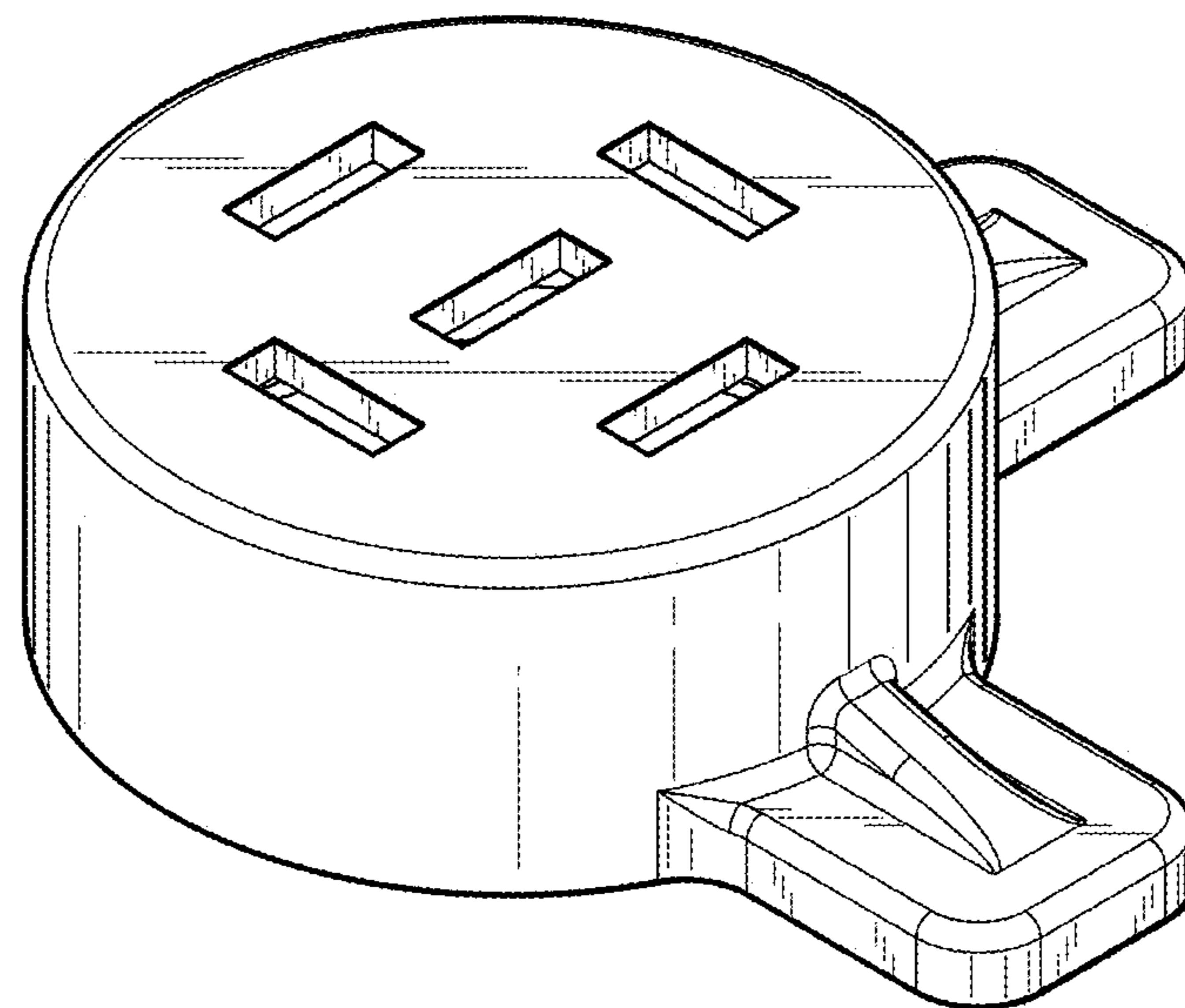


FIG. 2

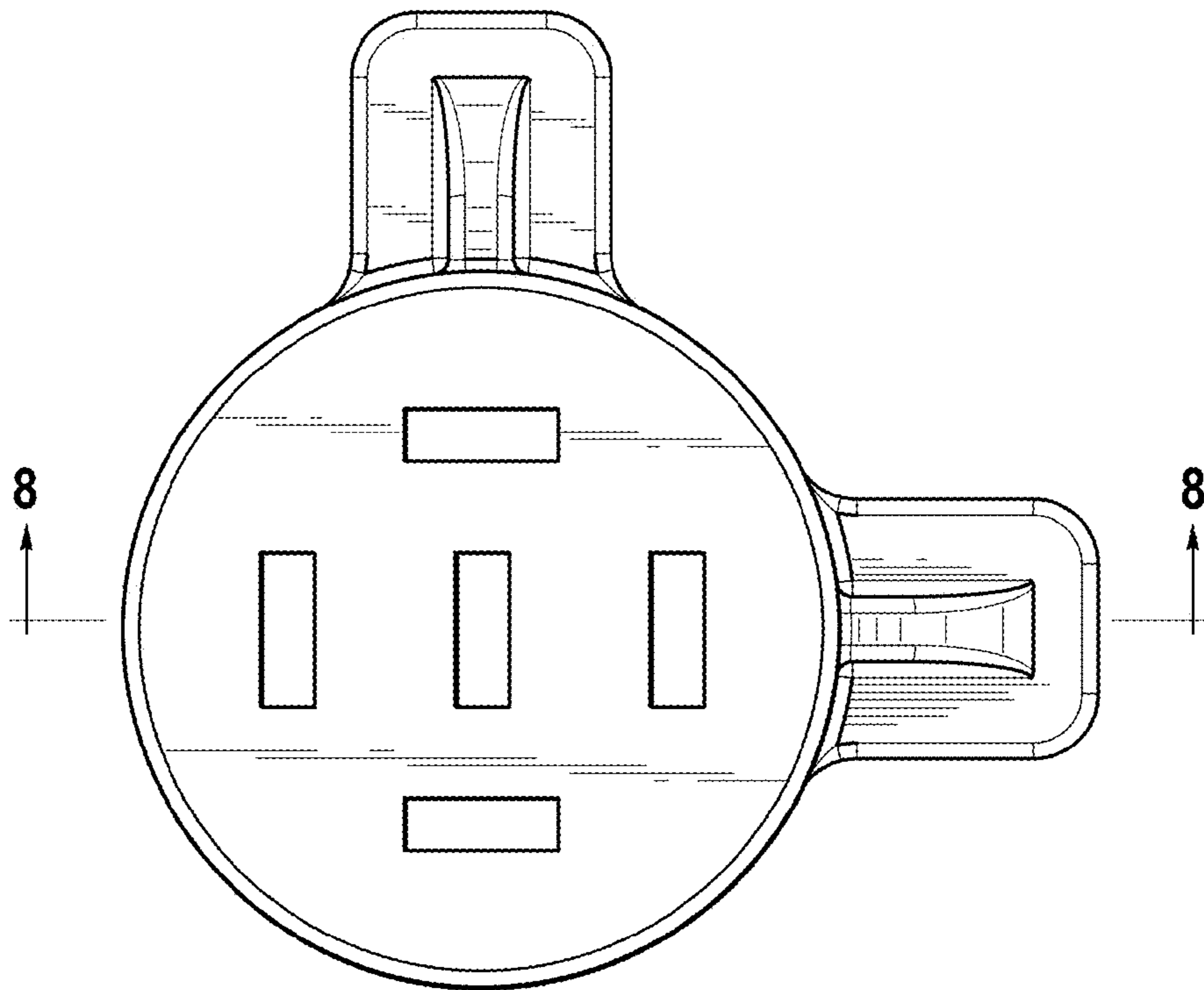


FIG. 3

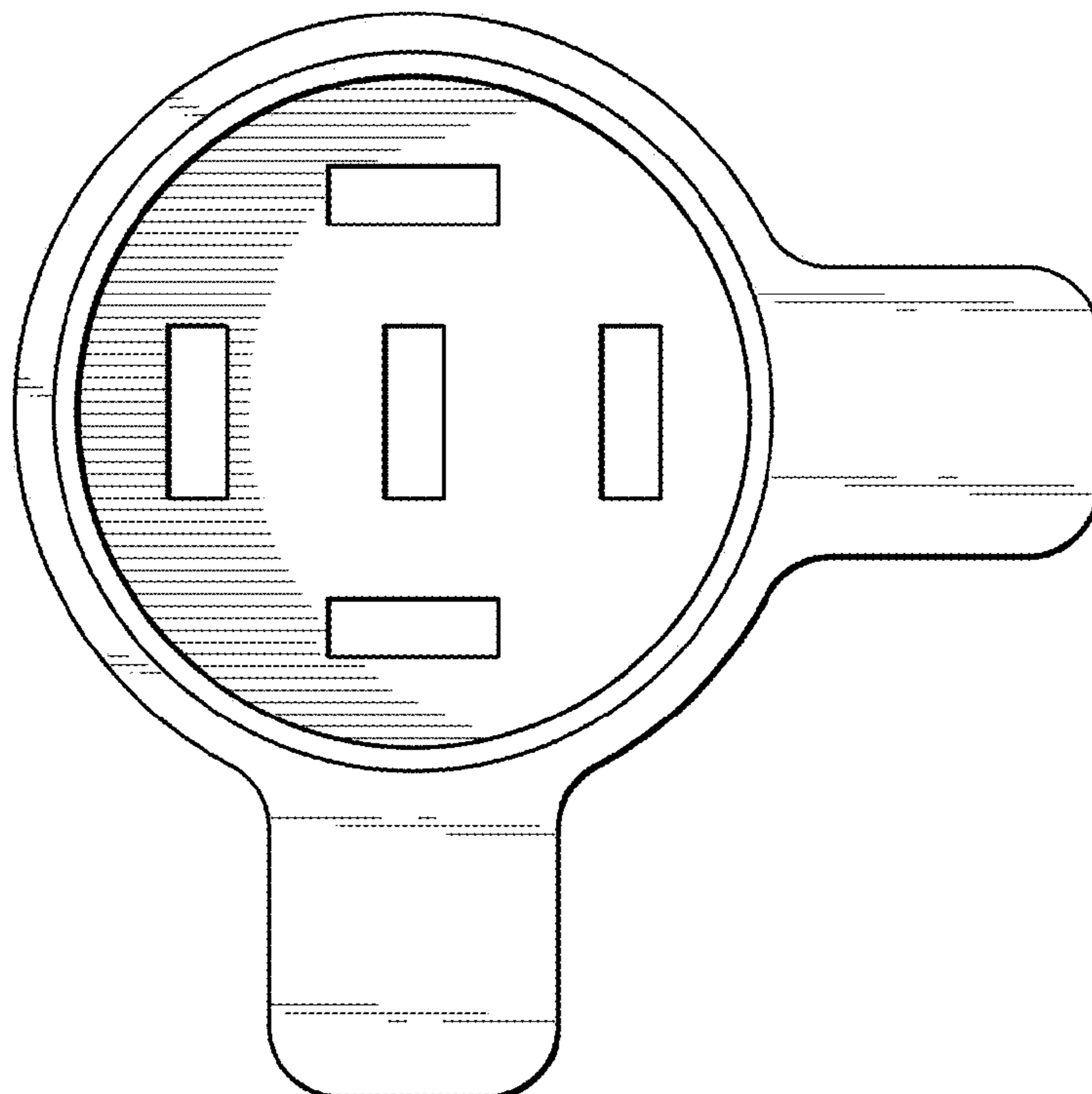


FIG. 4

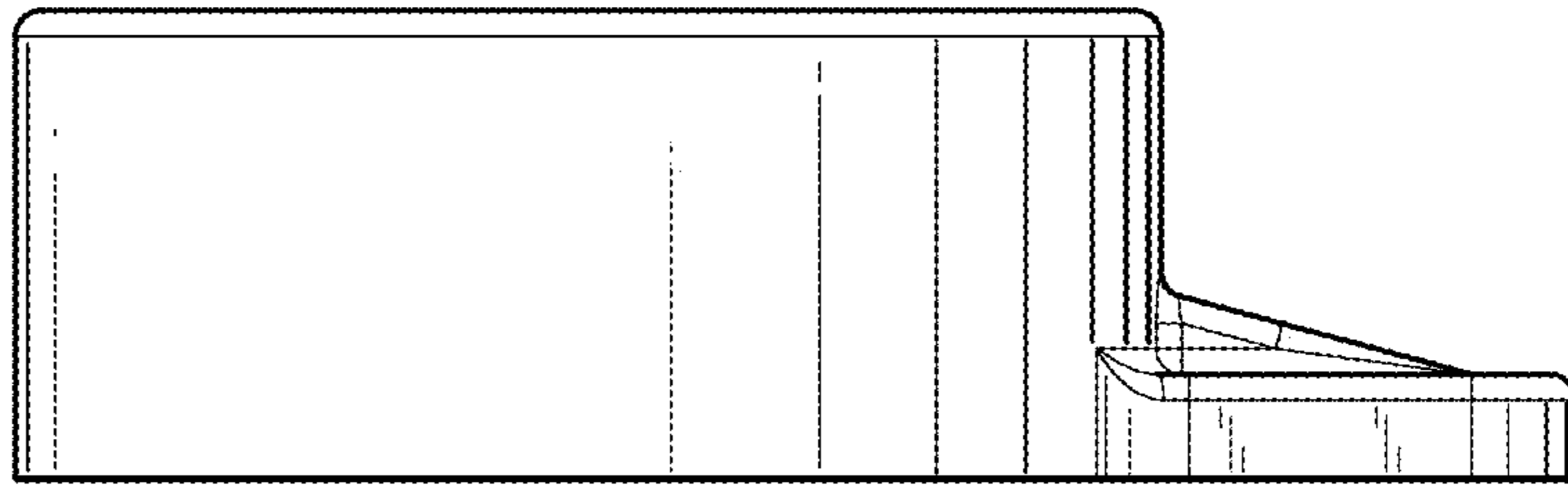


FIG. 5

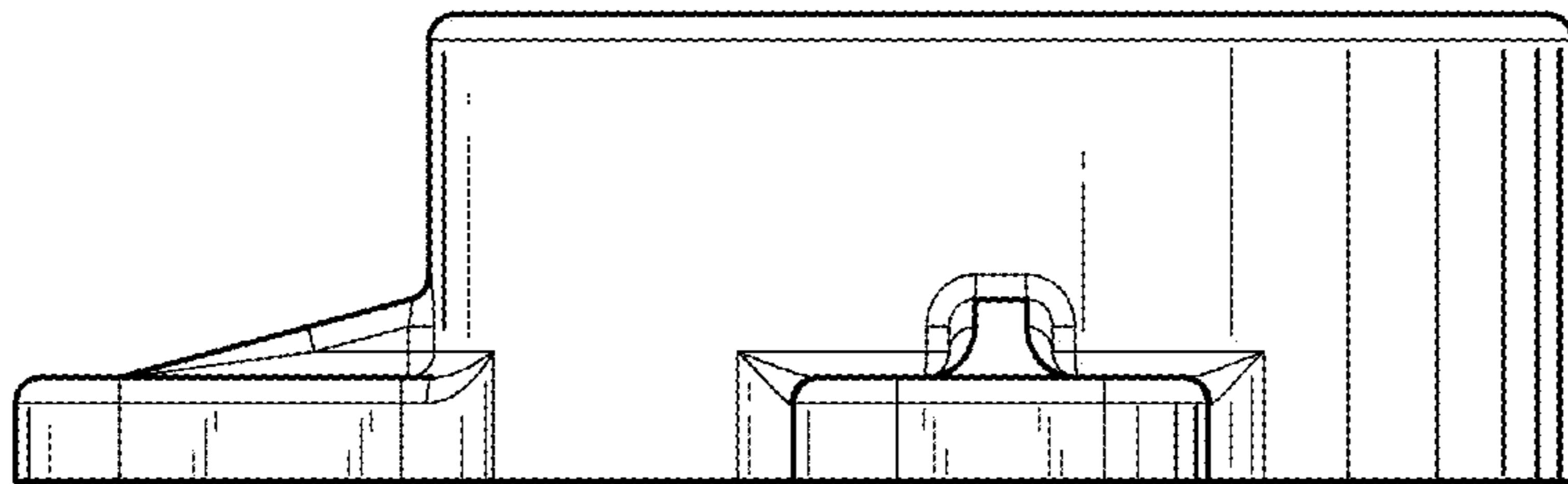


FIG. 6

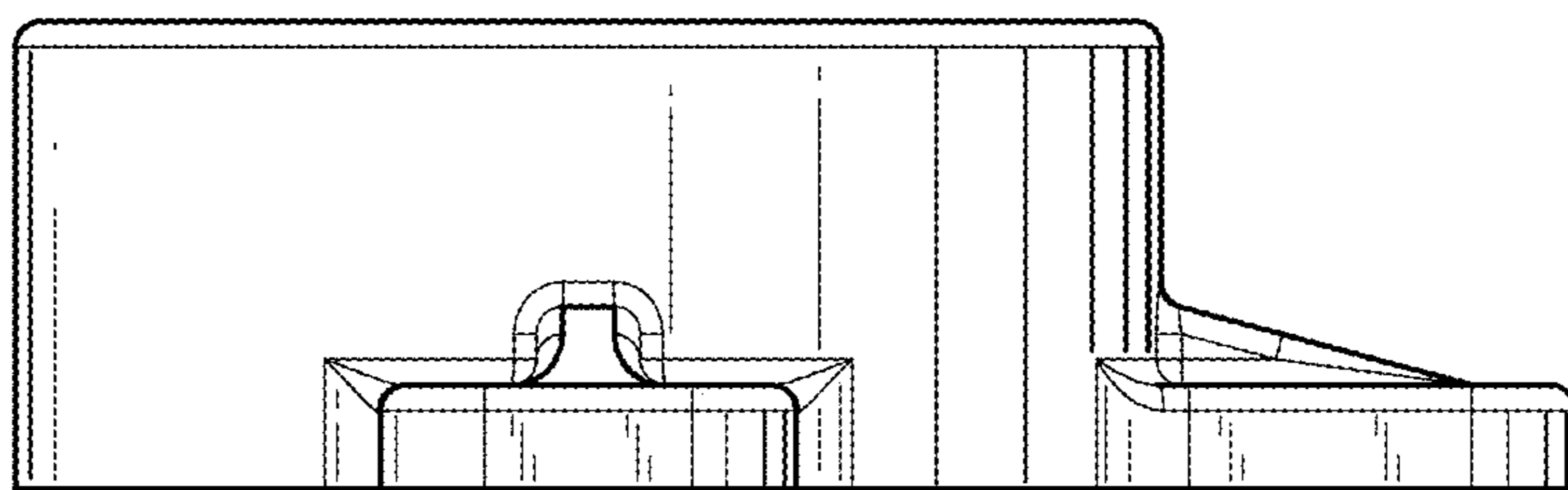


FIG. 7

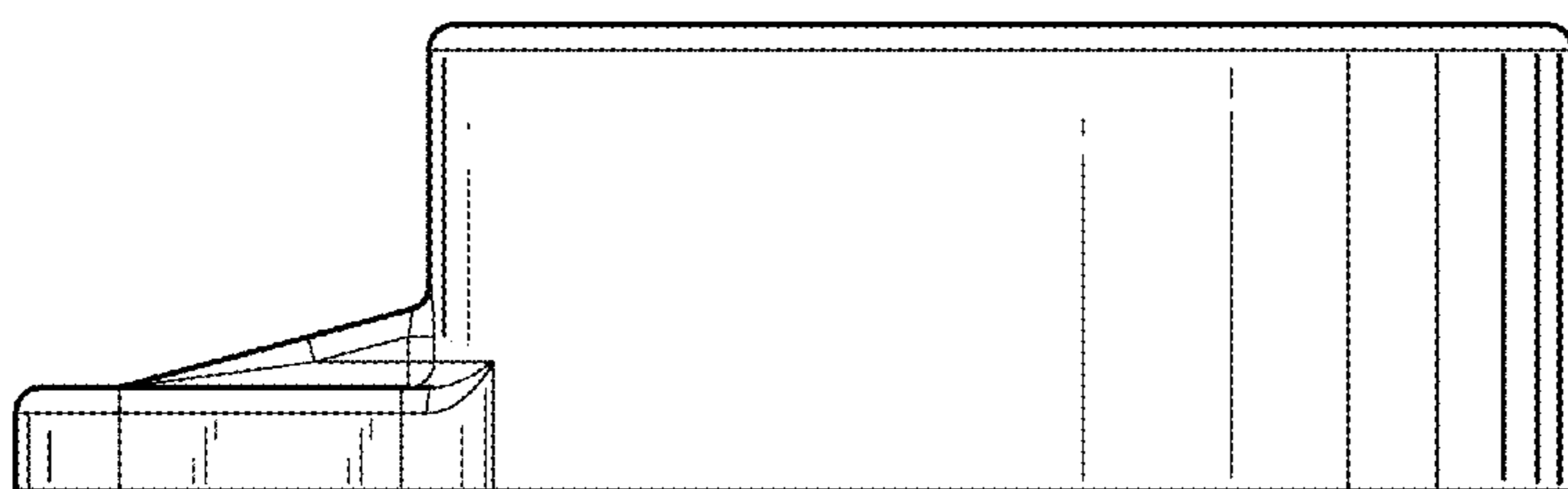


FIG. 8

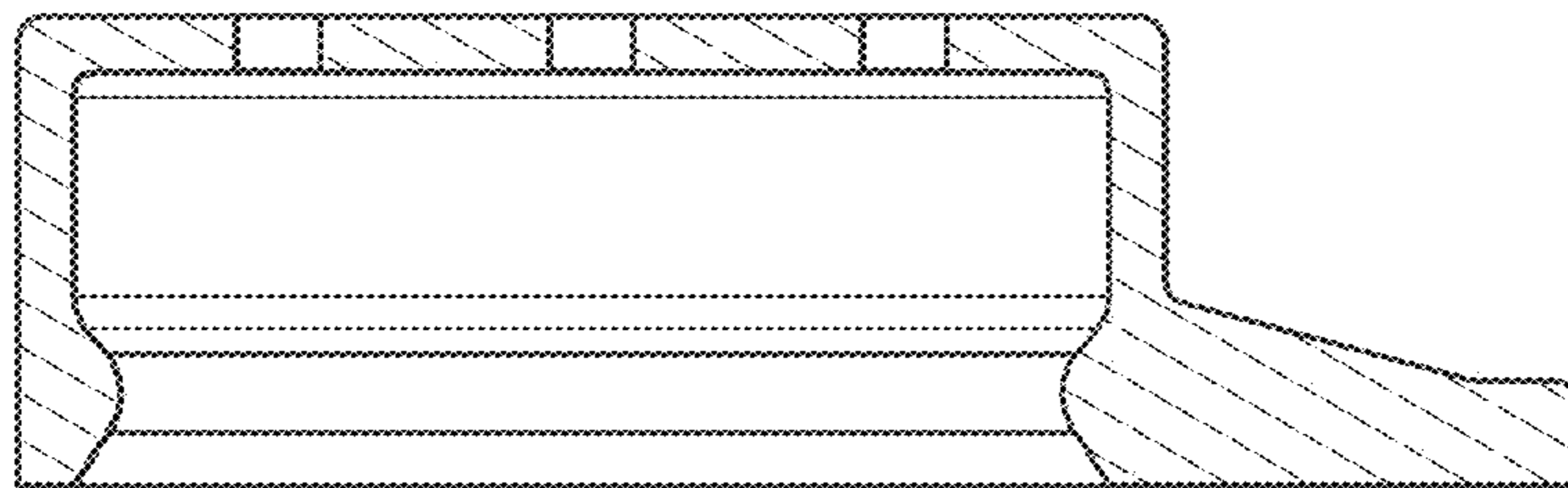


FIG. 9

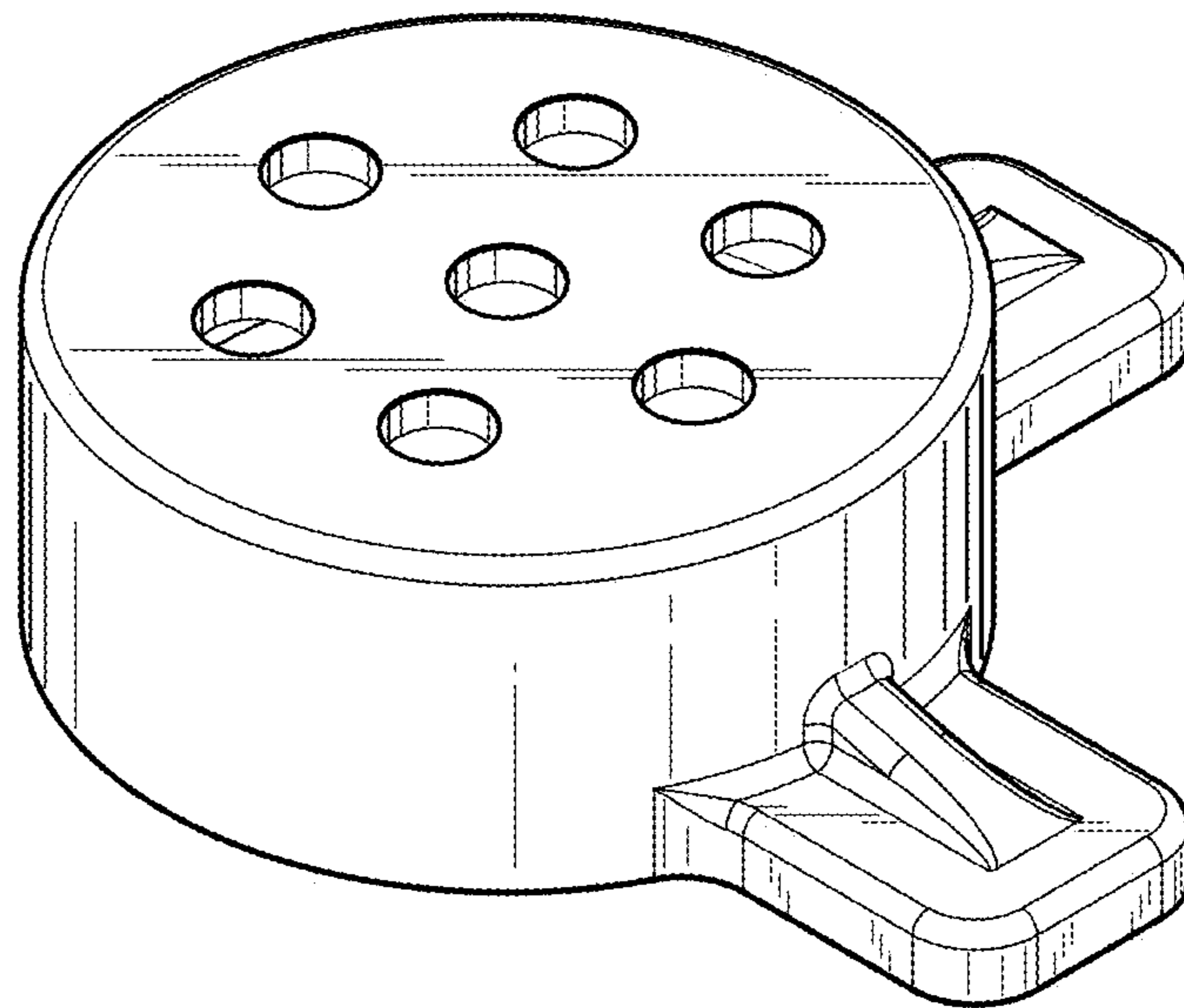


FIG. 10

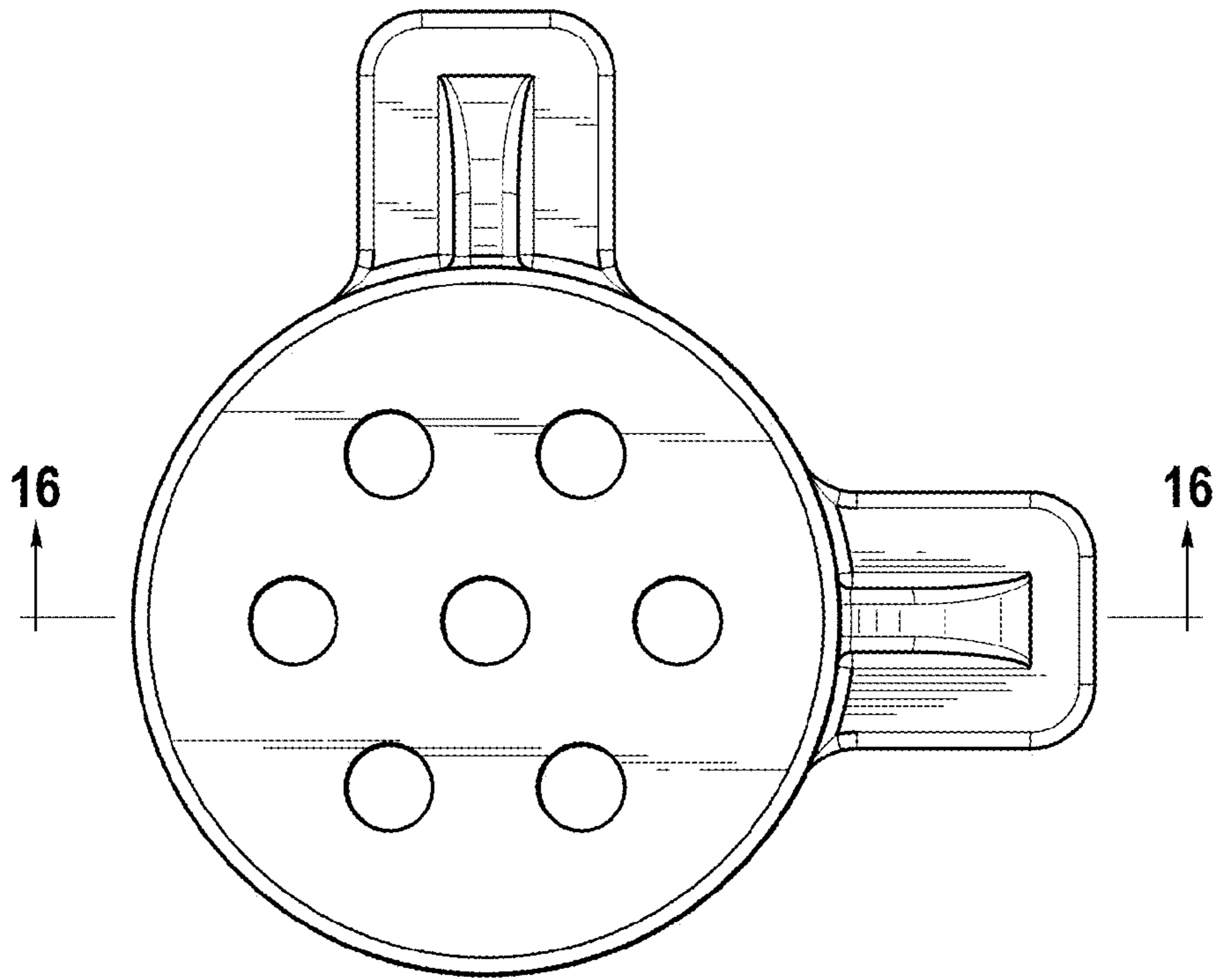


FIG. 11

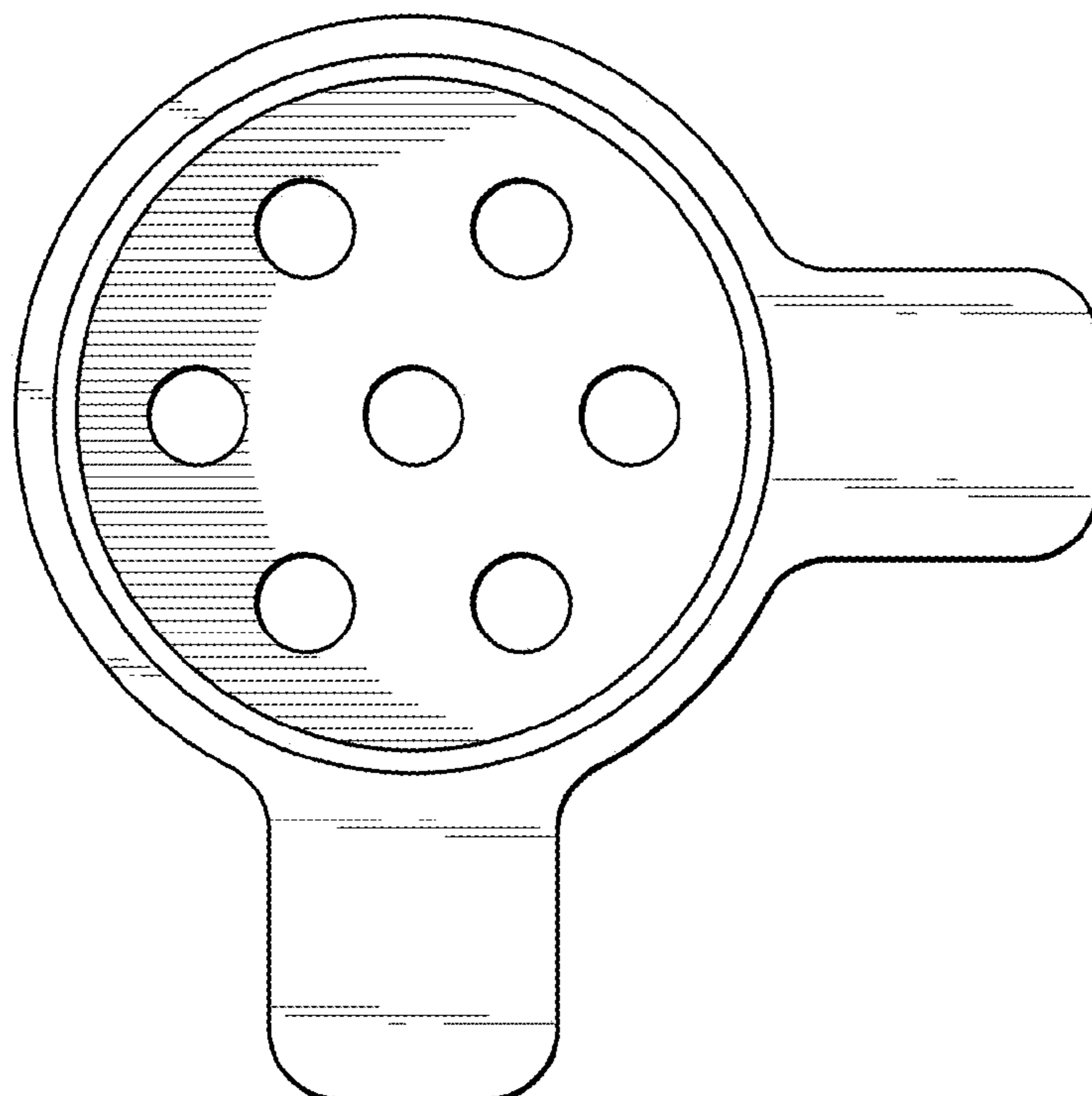


FIG. 12

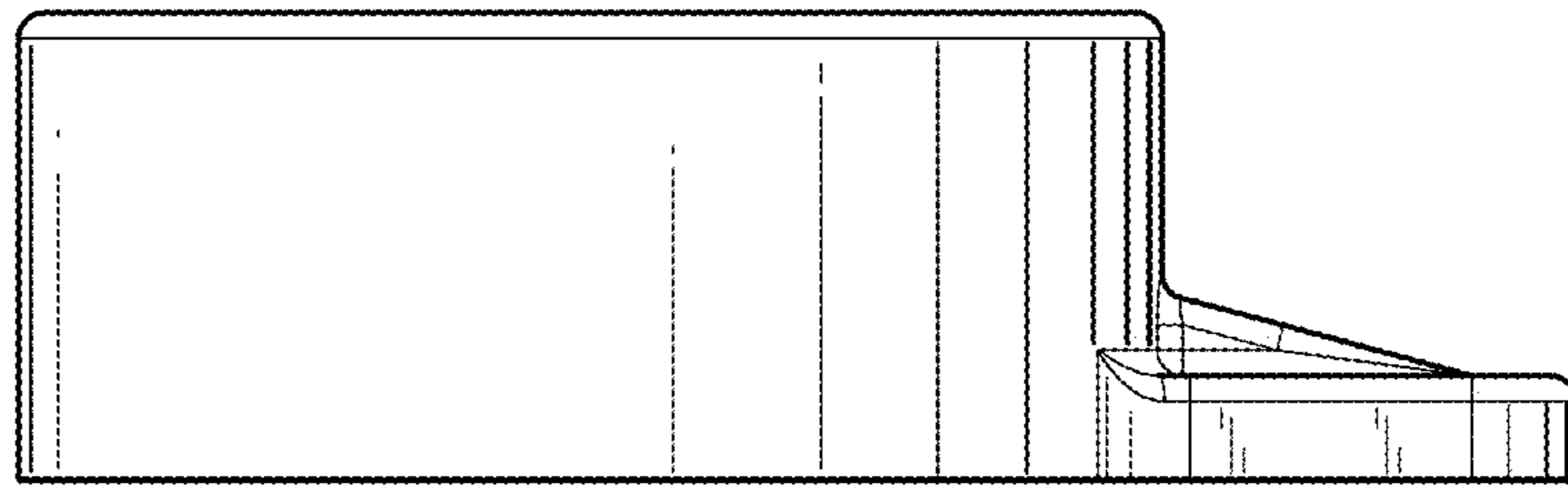


FIG. 13

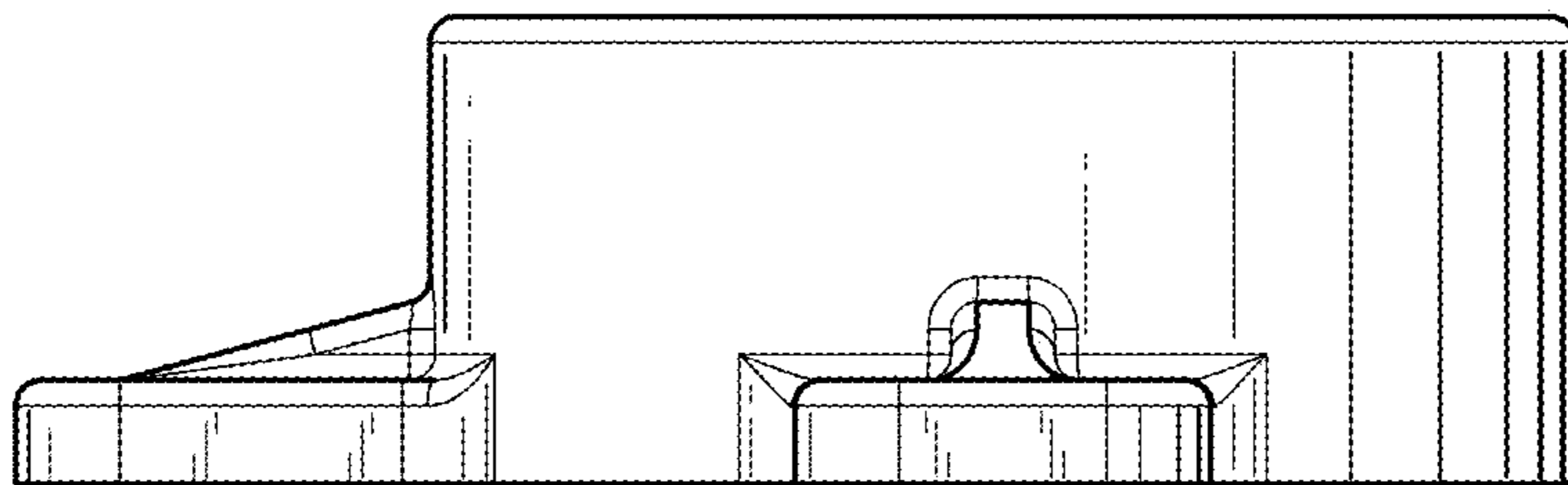


FIG. 14

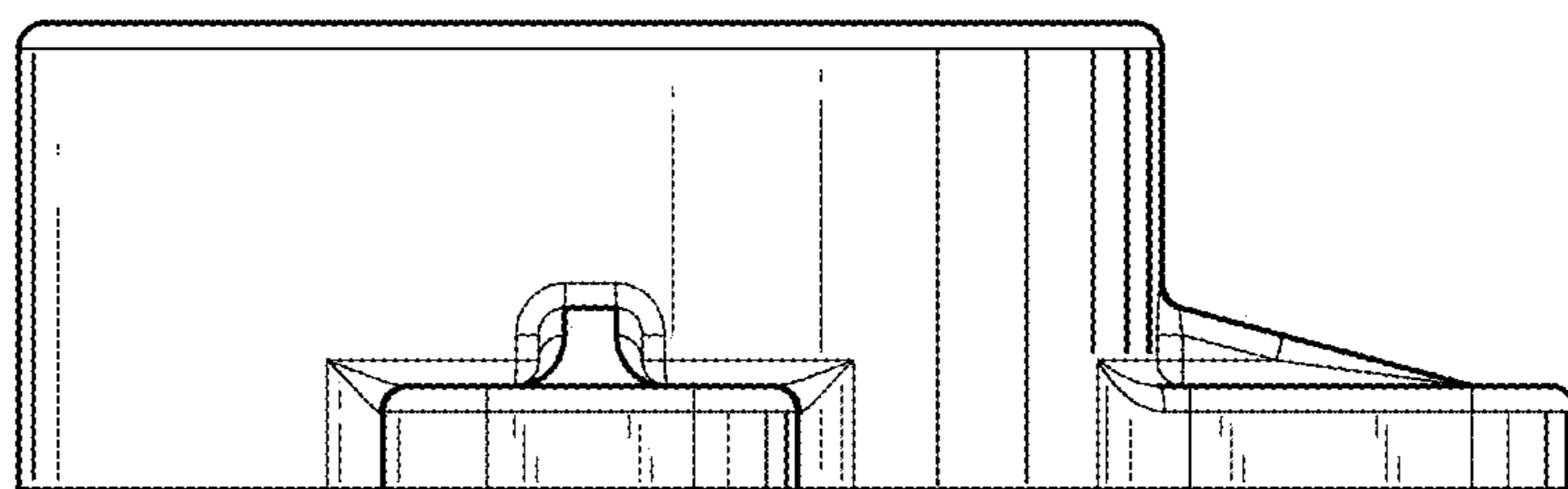


FIG. 15

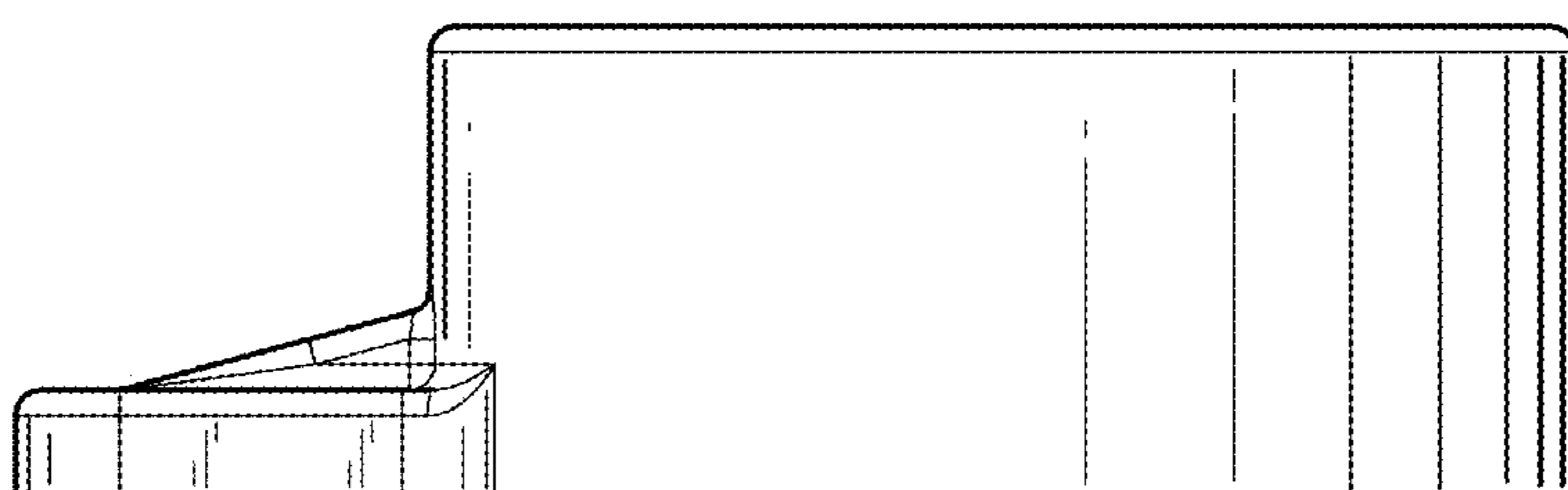


FIG. 16

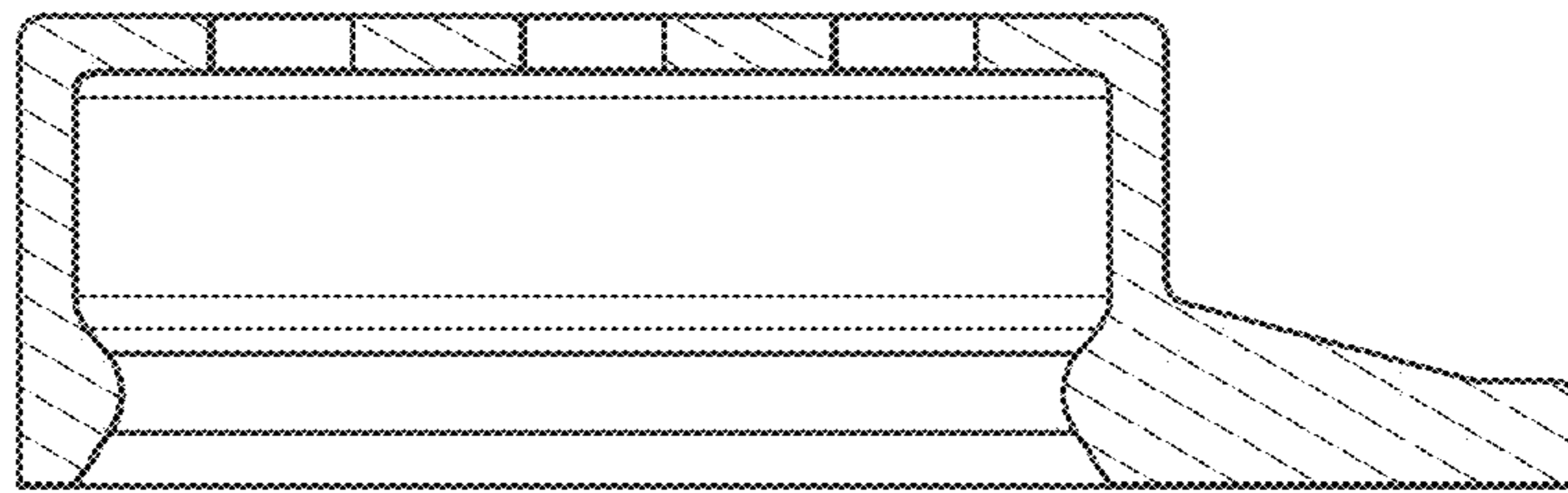


FIG. 17

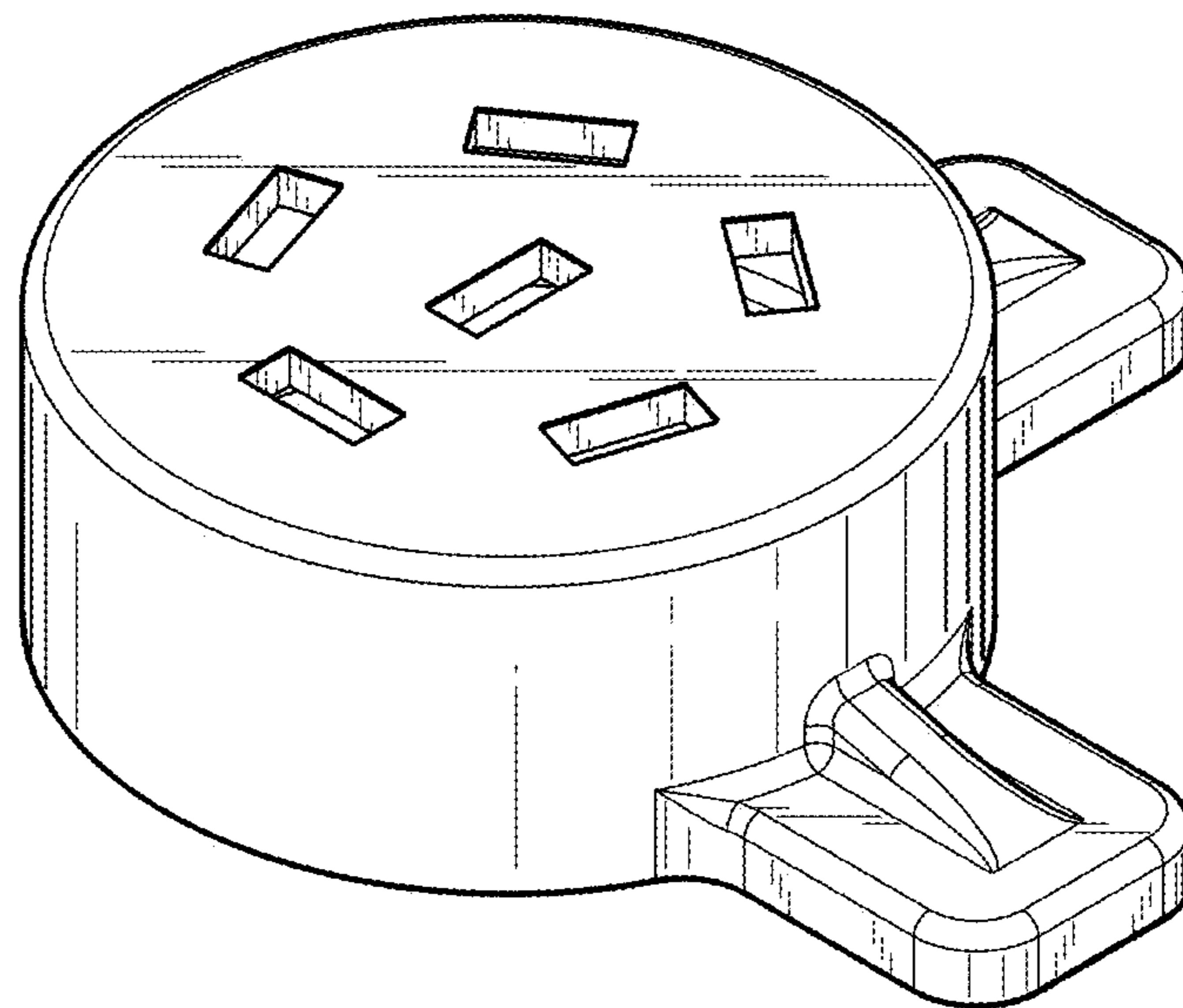


FIG. 18

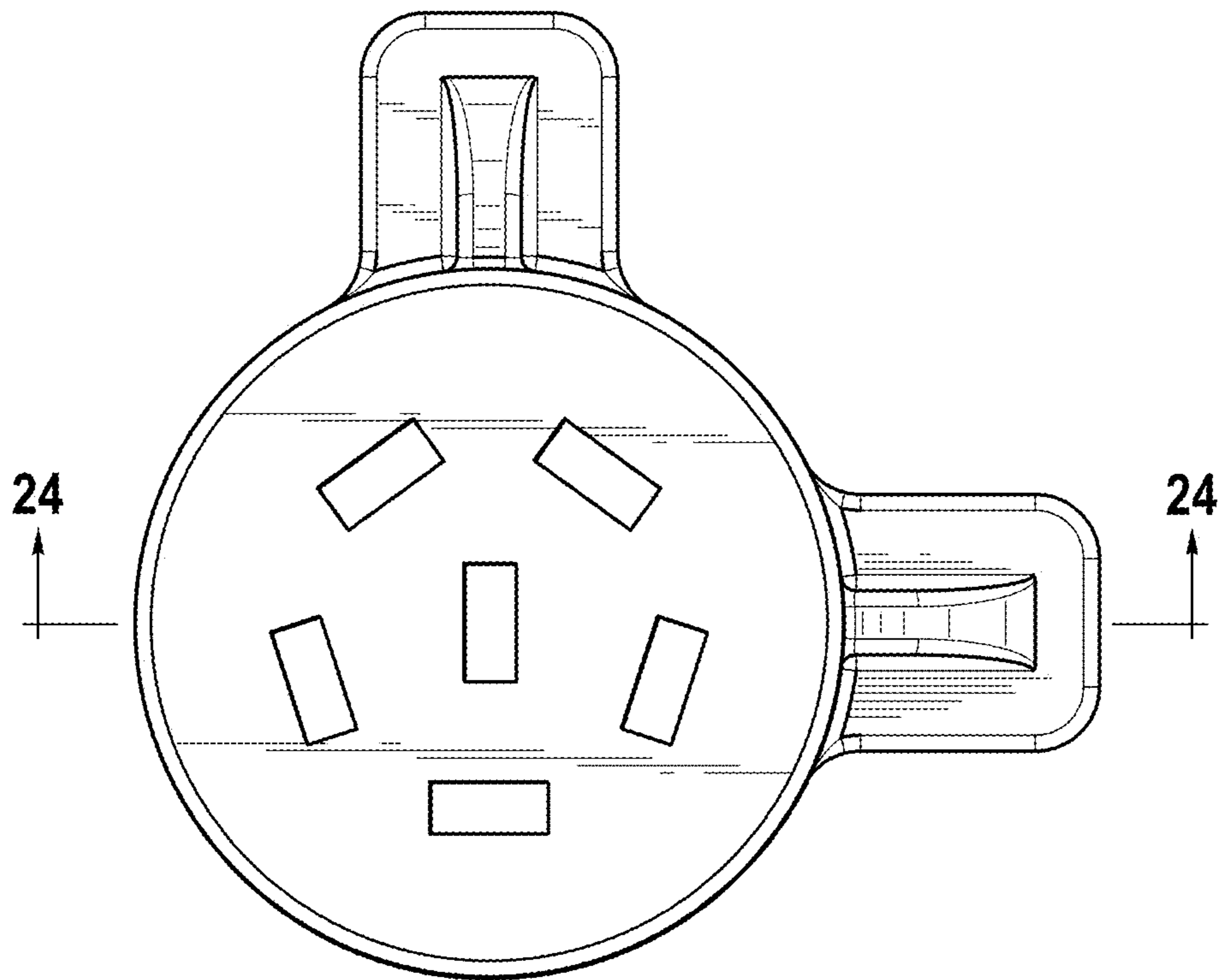


FIG. 19

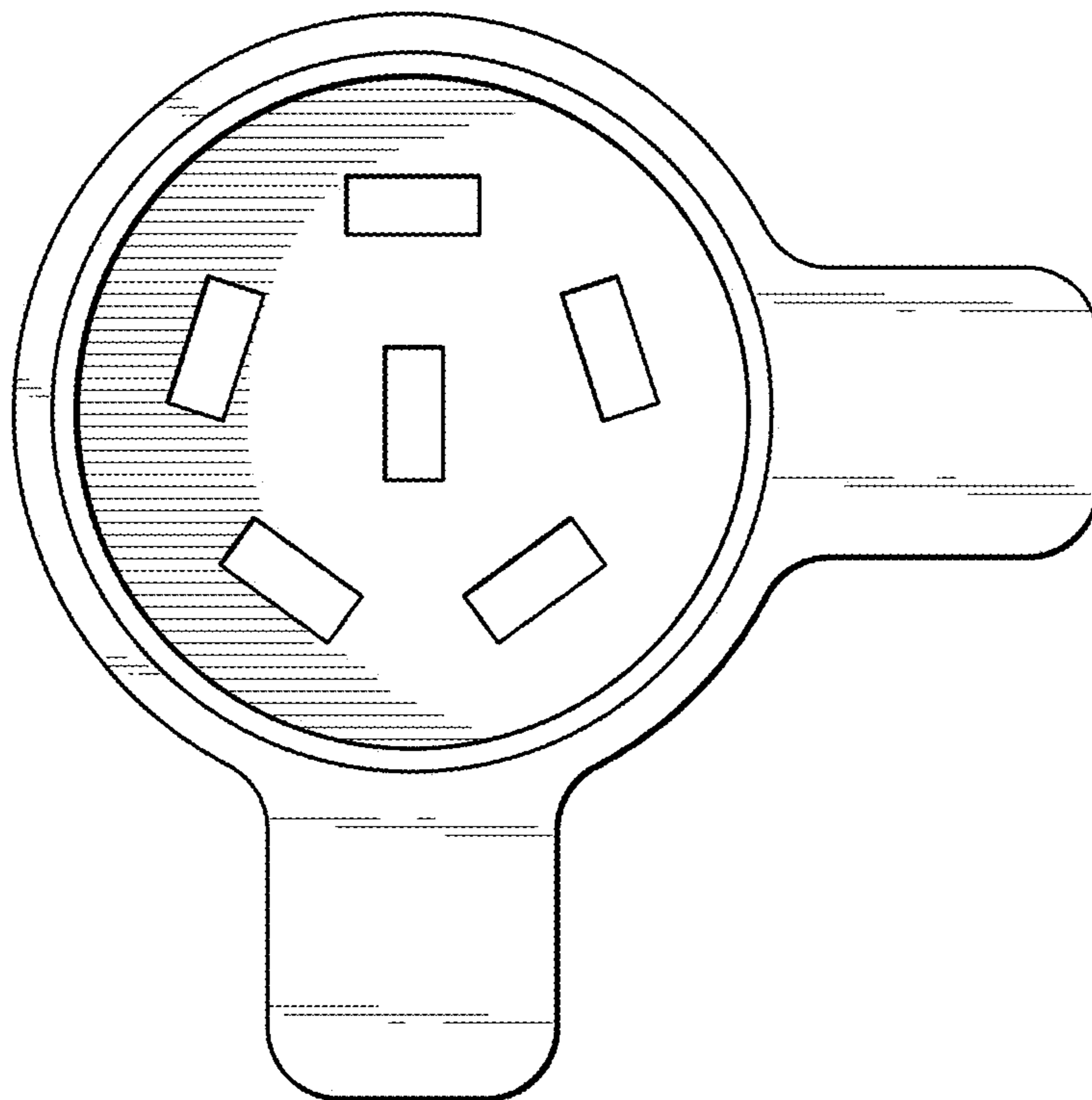


FIG. 20

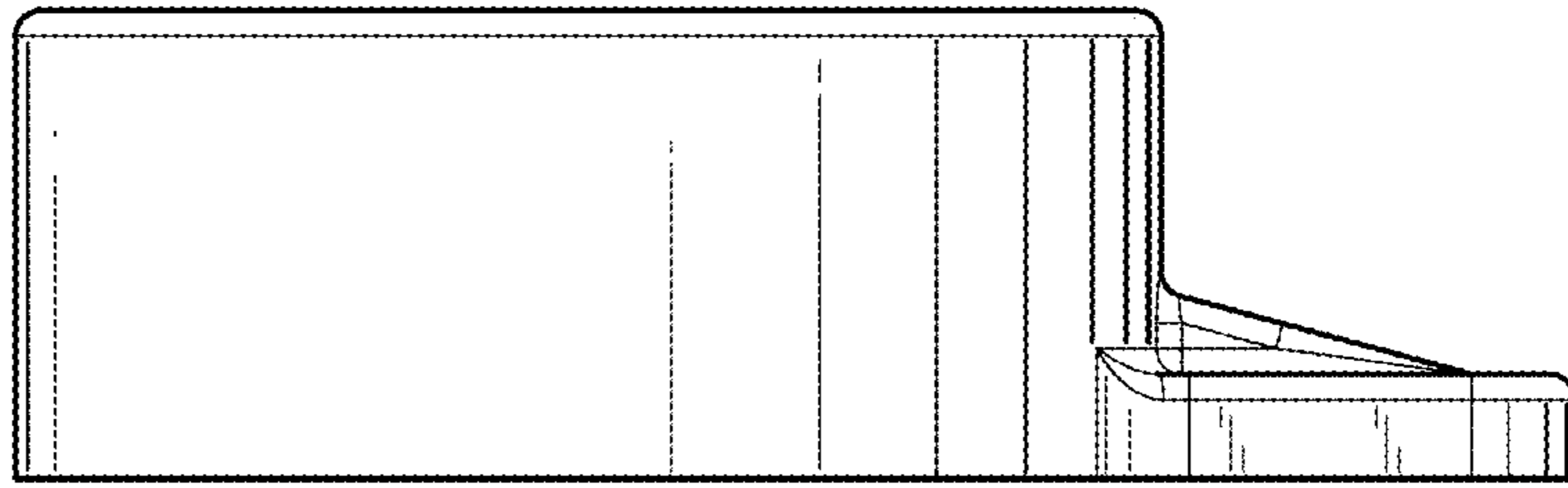


FIG. 21

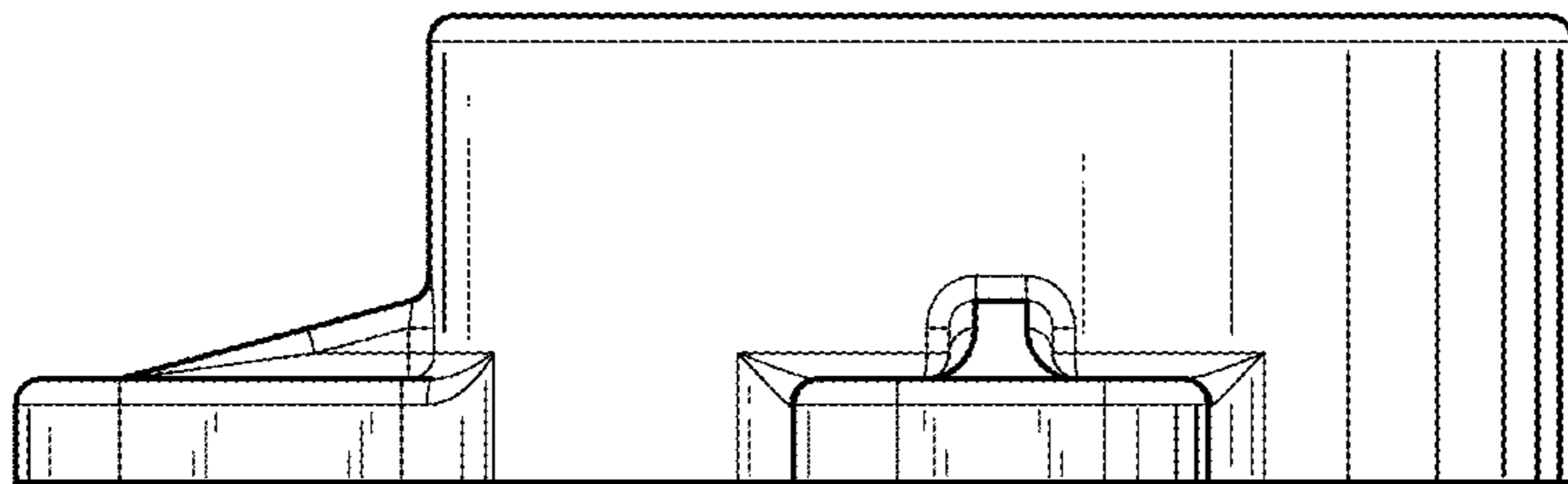


FIG. 22

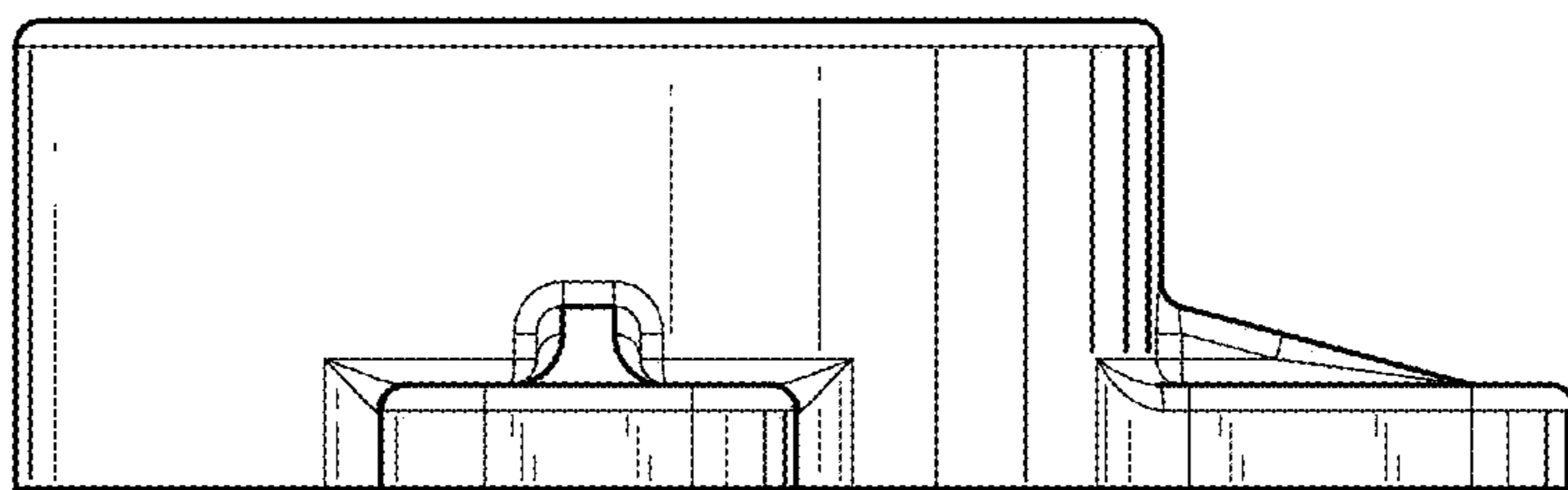


FIG. 23

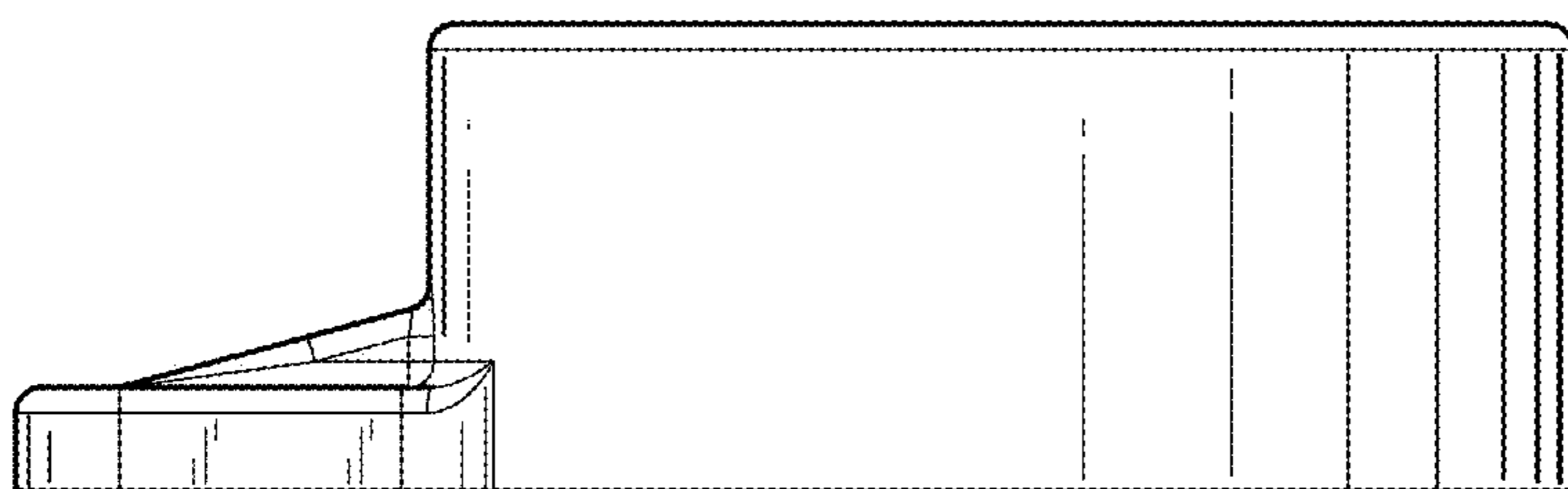


FIG. 24

