



US00D946348S

(12) **United States Design Patent**  
**Huang**

(10) **Patent No.:** **US D946,348 S**

(45) **Date of Patent:** **\*\* Mar. 22, 2022**

(54) **BASE FOR CAKE STAND**

(71) Applicant: **Hongye Huang**, Fujian (CN)

(72) Inventor: **Hongye Huang**, Fujian (CN)

(\*\*) Term: **15 Years**

(21) Appl. No.: **29/751,636**

(22) Filed: **Sep. 22, 2020**

(51) **LOC (13) Cl.** ..... **07-99**

(52) **U.S. Cl.**

USPC ..... **D7/396.6**

(58) **Field of Classification Search**

USPC ..... D7/554.1, 554.2, 554.4, 558, 560, 565,  
D7/584, 585, 586, 588, 602, 610, 396.1,  
D7/396.6; D6/708, 708.1, 708.14;  
D9/424, 761

CPC ..... A47G 2400/061; A47B 13/00; A47B  
13/023; A47B 91/005; A47B 13/14

See application file for complete search history.

(56) **References Cited**

**U.S. PATENT DOCUMENTS**

- D415,025 S \* 10/1999 McCann ..... D7/562
- D460,897 S \* 7/2002 Leuenberger ..... D7/546
- D476,177 S 6/2003 Hennessey
- D493,307 S \* 7/2004 Lenger ..... D6/708.14
- D499,907 S 12/2004 Zarelius
- D579,274 S \* 10/2008 Bizzell ..... D7/550.1
- D596,892 S \* 7/2009 Vanderminden ..... D6/686
- D611,340 S \* 3/2010 Bizzell ..... D9/756
- D618,091 S \* 6/2010 Bizzell ..... D9/424
- 7,871,653 B2 \* 1/2011 Lin ..... A47G 19/02  
426/115
- D654,296 S \* 2/2012 Shook ..... D6/610
- D683,196 S \* 5/2013 Natkiel ..... D7/672
- D688,010 S \* 8/2013 DiOrio ..... D30/119
- D689,335 S \* 9/2013 Ludeman ..... D7/586

D800,824 S \* 10/2017 Jacob ..... G03B 17/561  
D16/245

D883,036 S \* 5/2020 Liao ..... D7/558  
2007/0062965 A1 \* 3/2007 Anderson ..... B65D 85/36  
220/522

**OTHER PUBLICATIONS**

Hotity cake stand | posted at Amazon.com, posted on Apr. 10, 2019, © 1996-2021 Amazon.com, [online], [site visited Jul. 14, 2021]. Available from Internet, <URL:https://www.amazon.com/Hotity-Pieces-Display-Cupcake-Dessert/dp/B08P49RC9J/> (Year: 2019).\*  
Hotity 3 Pieces Cake Stand | posted at Amazon.com, posted on Apr. 10, 2019 © 1996-2021 Amazon.com, [online], [site visited Oct. 27, 2021]. Available from Internet, <URL:https://www.amazon.com/Hotity-Pieces-Display-Cupcake-Dessert/dp/B08P49RC9J/?th=1> (Year: 2019).\*

\* cited by examiner

*Primary Examiner* — Andrew Kerr

(74) *Attorney, Agent, or Firm* — ScienBiziP, P.C.

(57) **CLAIM**

The ornamental design for a base for cake stand, as shown and described.

**DESCRIPTION**

FIG. 1 is a top perspective view of a base for cake stand, showing my design.

FIG. 2 is a bottom perspective view thereof.

FIG. 3 is a front elevation view thereof.

FIG. 4 is a rear elevation view thereof.

FIG. 5 is a left side elevation thereof.

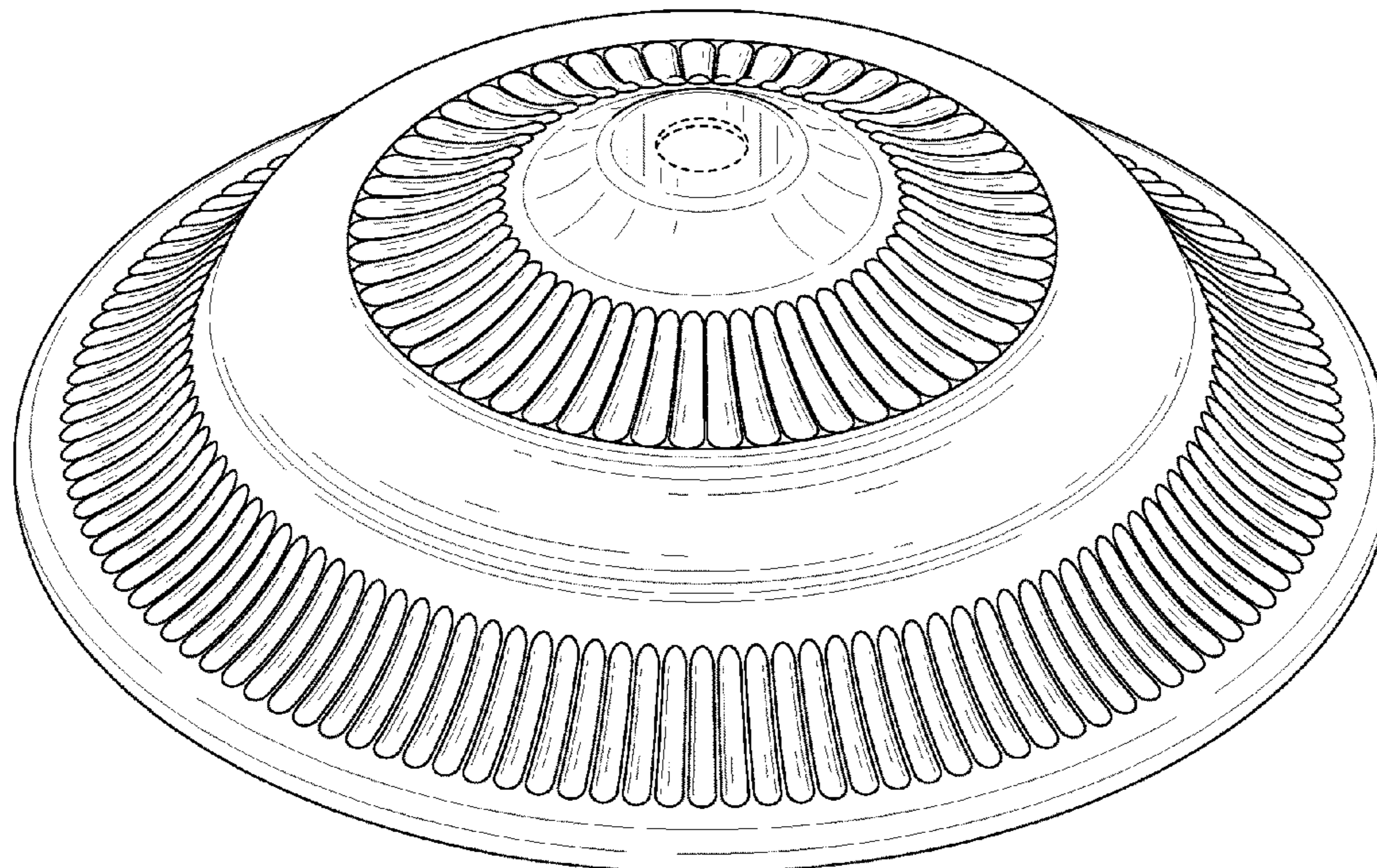
FIG. 6 is a right side elevation thereof.

FIG. 7 is a top plan view thereof; and,

FIG. 8 is a bottom plan view thereof.

The broken lines in the drawings depict portions of the base for cake stand that form no part of the claimed design.

**1 Claim, 8 Drawing Sheets**



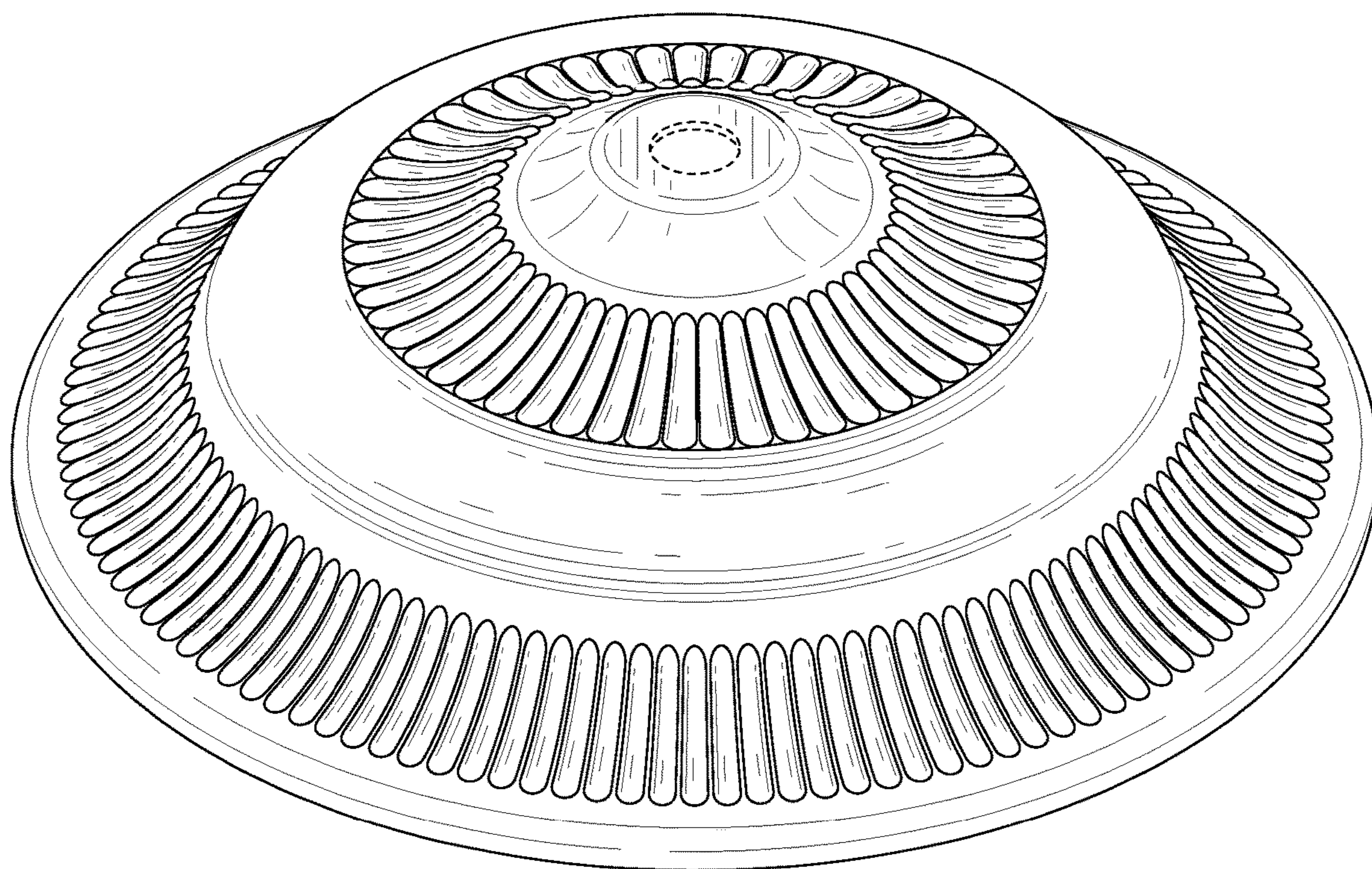


FIG. 1

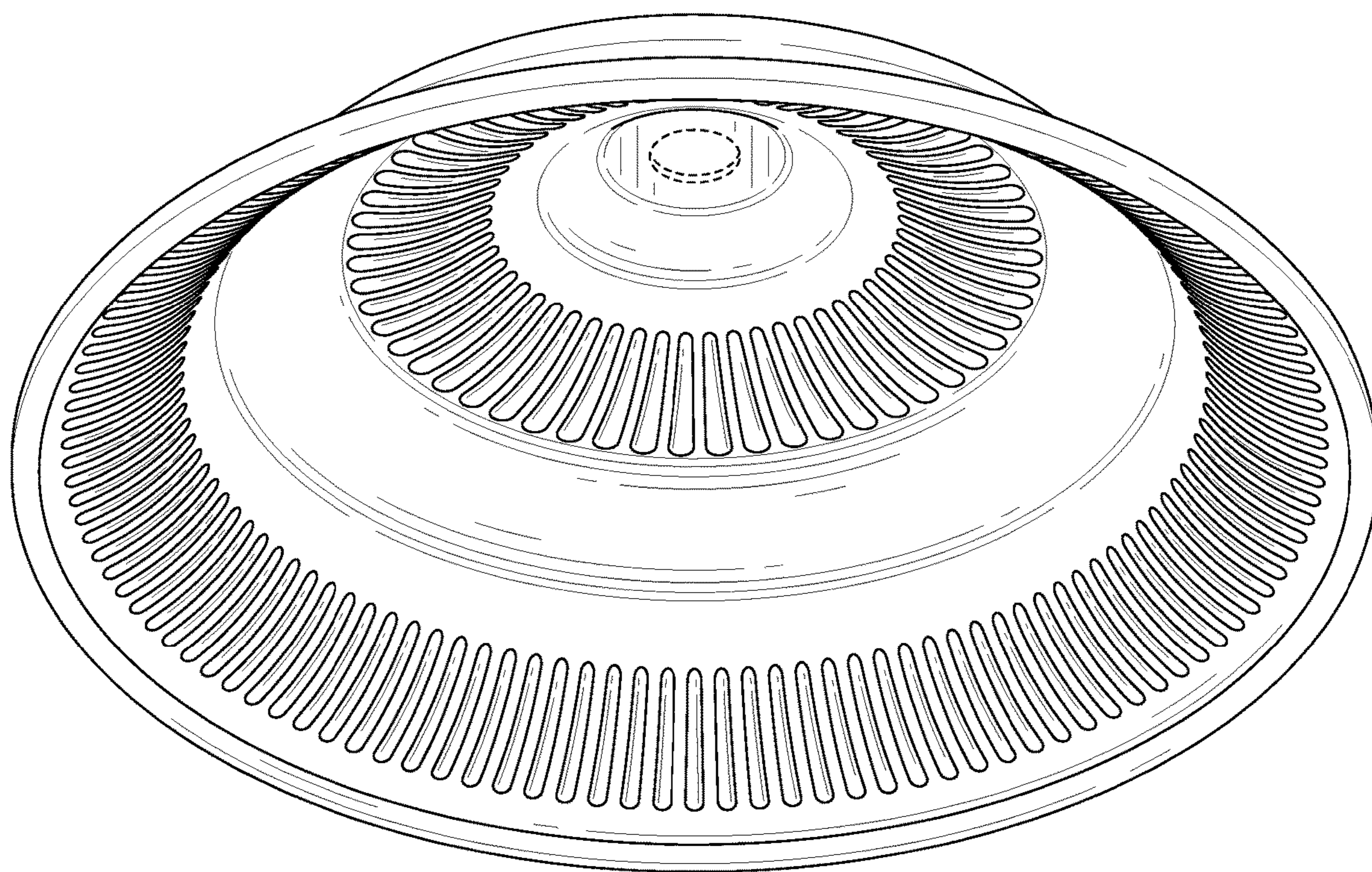


FIG. 2

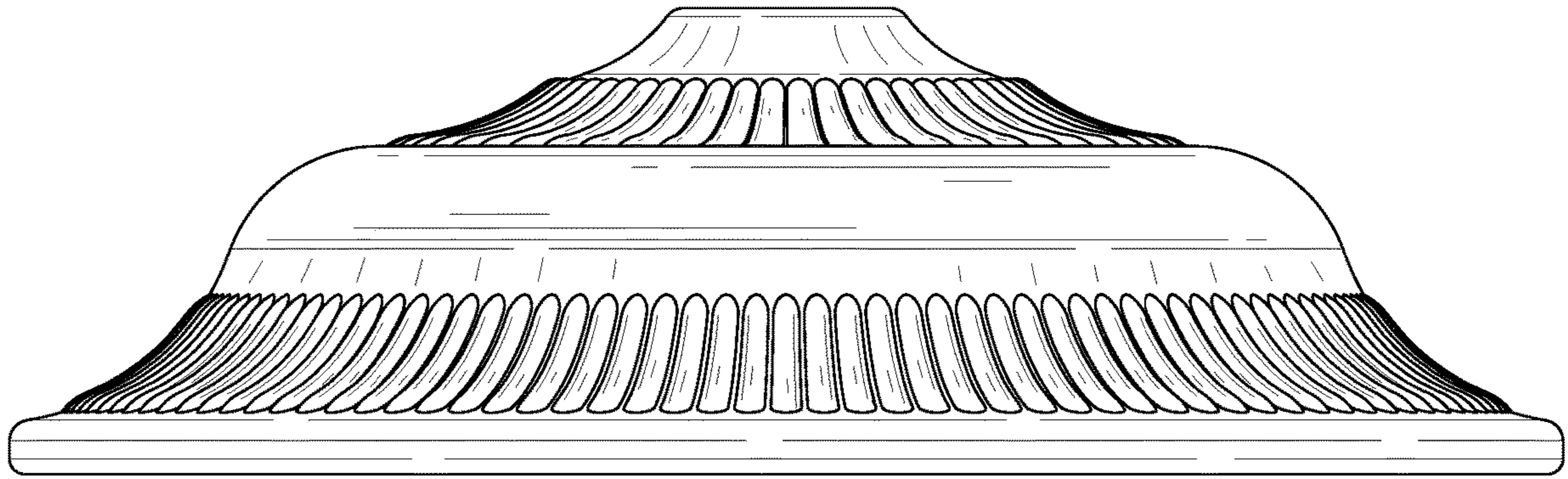


FIG. 3

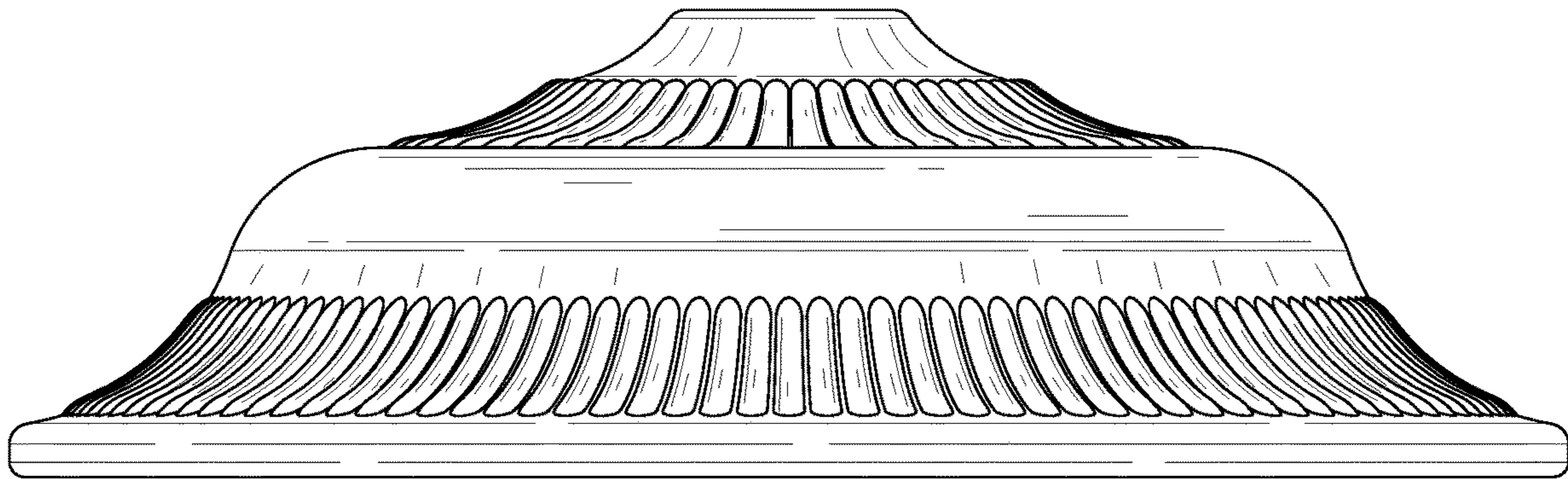


FIG. 4

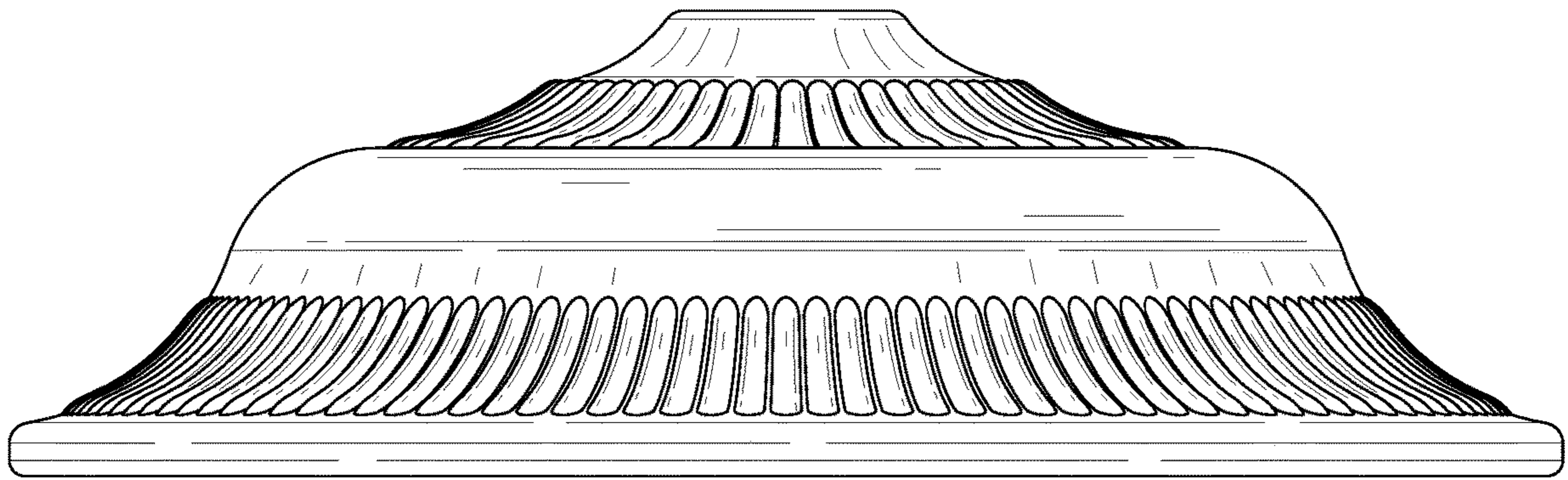


FIG. 5

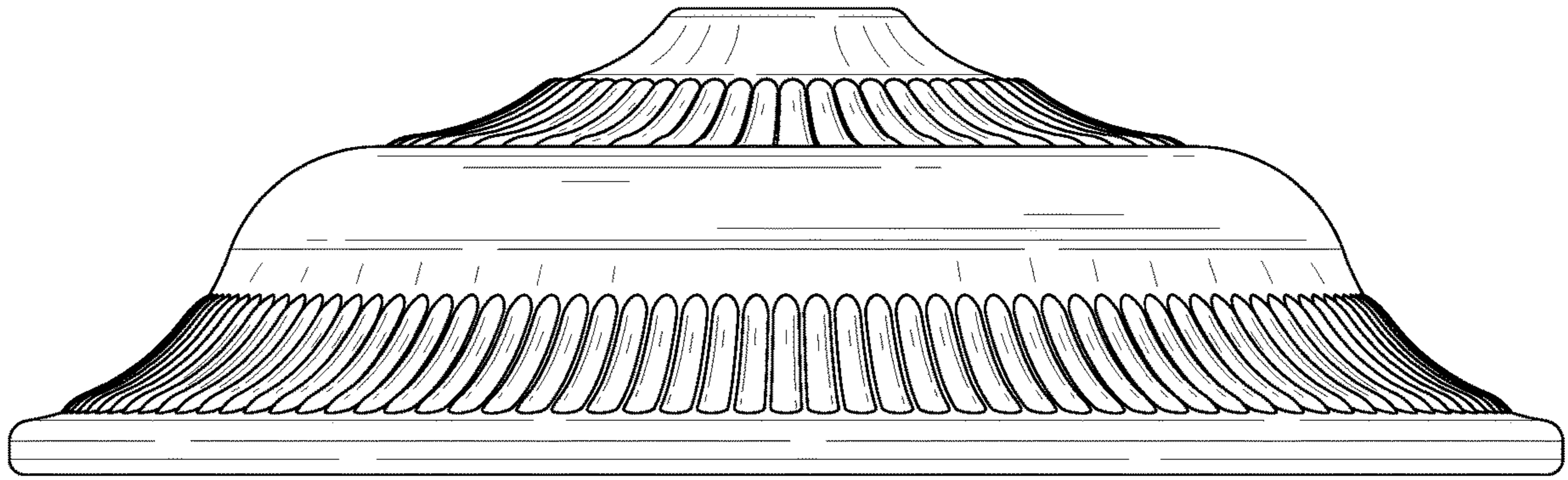


FIG. 6

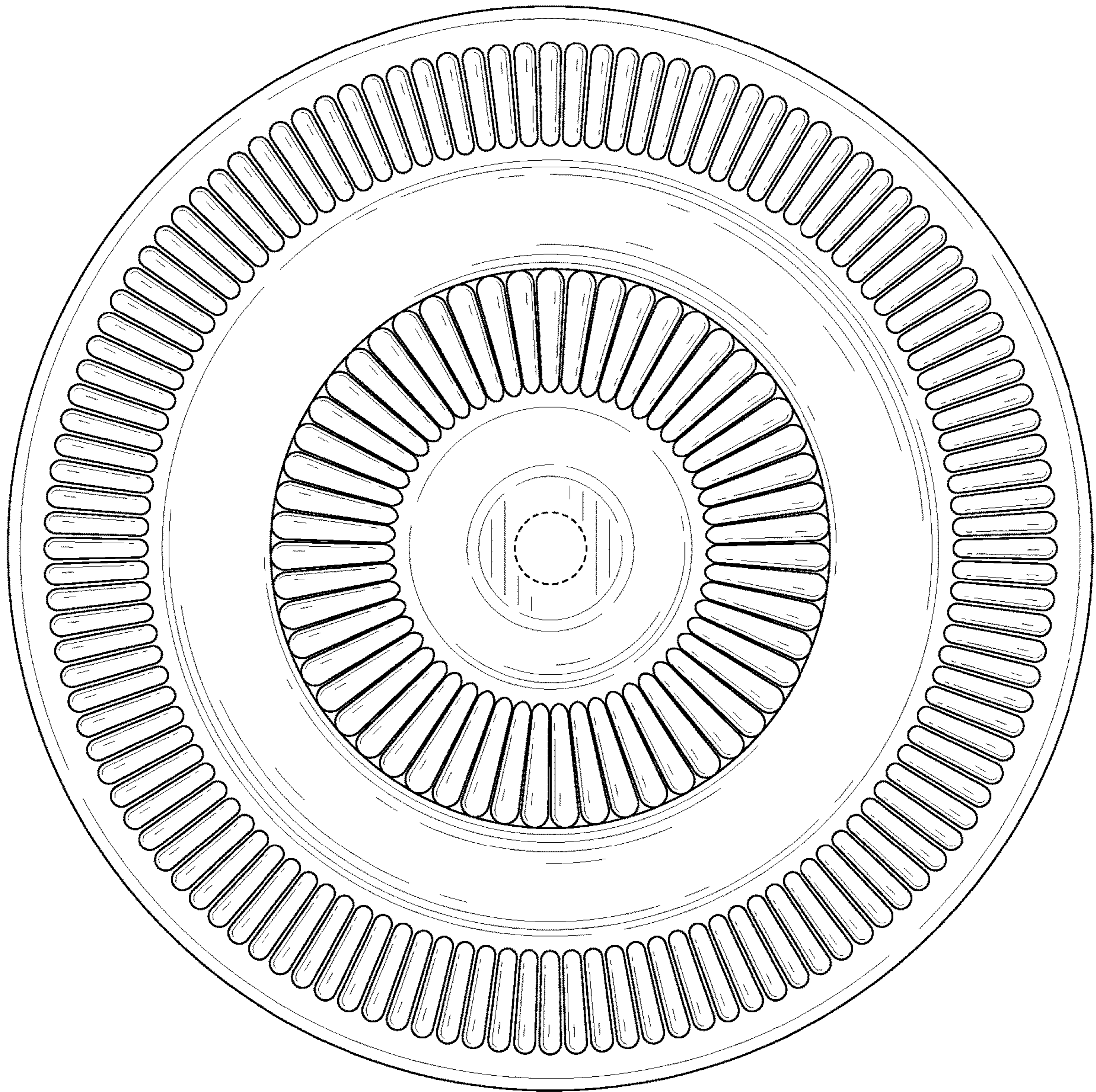


FIG. 7



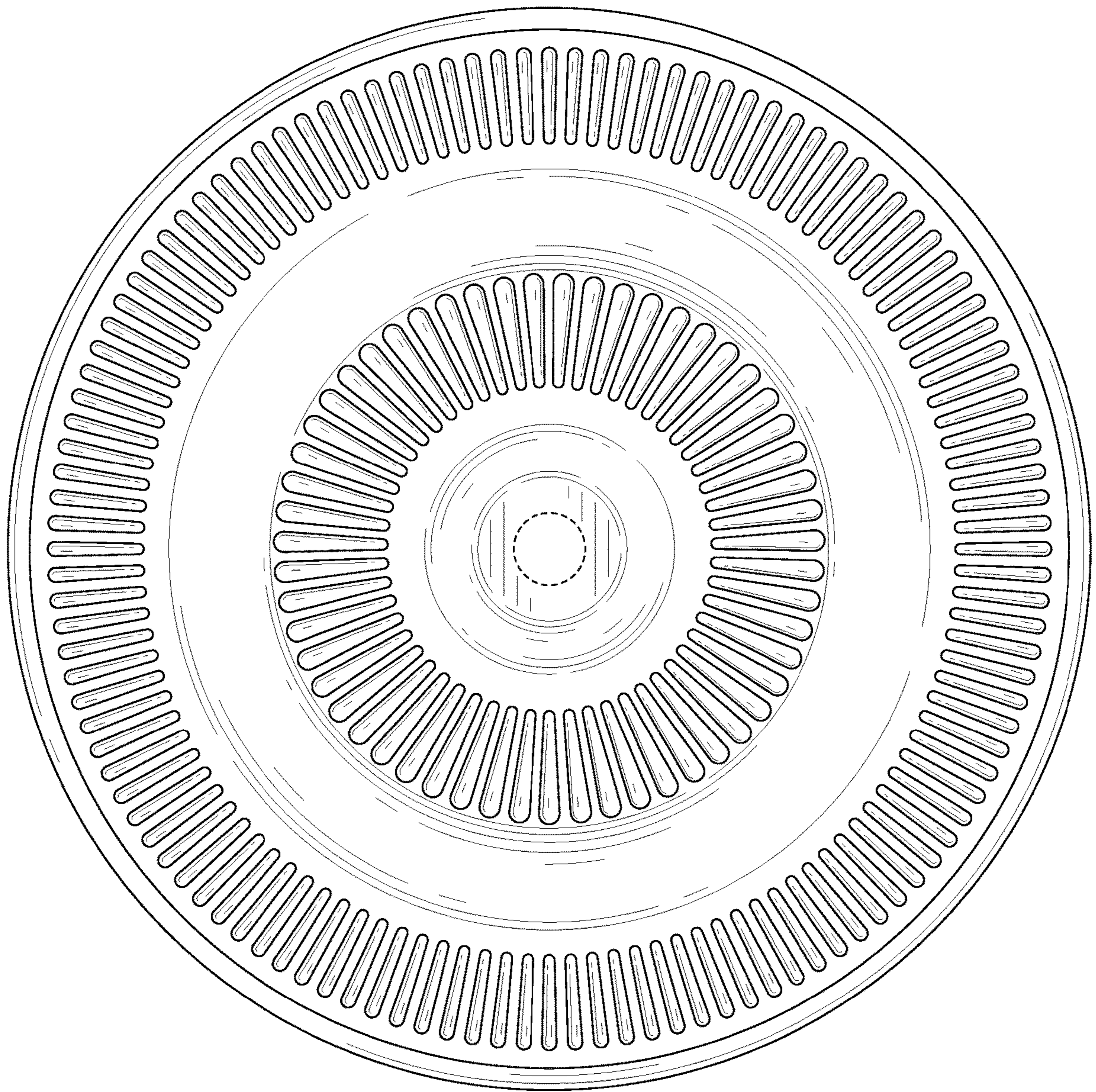


FIG. 8