



US00D946347S

(12) **United States Design Patent**  
**Zhang**

(10) **Patent No.:** **US D946,347 S**

(45) **Date of Patent:** **\*\* Mar. 22, 2022**

(54) **VACUUM BOTTLE LID WITH HANDLE**

(71) Applicant: **Bo Zhang**, Gongxian (CN)

(72) Inventor: **Bo Zhang**, Gongxian (CN)

(\*\*) Term: **15 Years**

(21) Appl. No.: **29/774,305**

(22) Filed: **Mar. 16, 2021**

(51) **LOC (13) Cl.** ..... **07-01**

(52) **U.S. Cl.**

USPC ..... **D7/392.1**; D7/396.2

(58) **Field of Classification Search**

USPC ..... D7/392.1, 396.2, 396.6, 396.3, 213, 510,  
D7/511, 522, 523, 537, 602; D9/434,  
D9/435, 436, 440, 449, 454

CPC .. A45F 3/16; B65D 41/56; B65D 3/24; B65D  
83/205; A47G 19/2272

See application file for complete search history.

(56) **References Cited**

**U.S. PATENT DOCUMENTS**

D641,257 S *	7/2011	Thiebaut	.....	D9/738
D738,218 S *	9/2015	Rohit	.....	D9/522
D758,859 S *	6/2016	Sorensen	.....	D9/443
D762,418 S *	8/2016	Sorensen	.....	D7/511
D786,012 S *	5/2017	Hein	.....	D7/396.2
D799,963 S *	10/2017	Akiyama	.....	D9/454
D806,468 S *	1/2018	Goodwin	.....	D7/392.1
D821,359 S *	6/2018	Tong	.....	D14/216
D822,427 S *	7/2018	Sorensen	.....	D7/392.1
D849,482 S	5/2019	Diener et al.		
D868,534 S *	12/2019	Lin	.....	D7/392.1
D872,522 S *	1/2020	Diener	.....	D7/392.1
D885,823 S *	6/2020	Ayres	.....	D7/392
D895,351 S *	9/2020	Taylor	.....	D7/392.1
D897,761 S *	10/2020	Zhang	.....	D7/392.1
D903,405 S	12/2020	Zhang		
D906,761 S *	1/2021	Lundstrom	.....	D7/511
D911,099 S *	2/2021	Volkoff	.....	D7/392.1
D911,771 S *	3/2021	Zhang	.....	D7/392.1
D913,100 S *	3/2021	Duong	.....	D9/504

D917,292 S *	4/2021	Blomberg	.....	D9/504
D922,140 S *	6/2021	Taylor	.....	D7/396.2
D927,304 S *	8/2021	Lingle	.....	D9/454
D929,184 S *	8/2021	Wahl	.....	D7/511
D930,436 S *	9/2021	Paparao	.....	D7/510
D931,042 S *	9/2021	Burga	.....	D7/392.1
D934,026 S *	10/2021	Taylor	.....	D7/396.2
D938,778 S *	12/2021	Ge	.....	D7/392.1
D940,501 S *	1/2022	Burga	.....	D7/392.1

(Continued)

**OTHER PUBLICATIONS**

[https://www.amazon.com/Dew-Cap-Replacement-Pack-12/dp/B0049JUJJO/ref=sr\\_1\\_50?crd=1R7U34YBB3IJE&keywords=water+bottle+lid+with+top+handle&qid=1642718958&s=sporting-goods&sprefix=water+bottle+lid+with+top+handle%2Csporting%2C132&sr=1-50](https://www.amazon.com/Dew-Cap-Replacement-Pack-12/dp/B0049JUJJO/ref=sr_1_50?crd=1R7U34YBB3IJE&keywords=water+bottle+lid+with+top+handle&qid=1642718958&s=sporting-goods&sprefix=water+bottle+lid+with+top+handle%2Csporting%2C132&sr=1-50) (Year: 2010).\*

(Continued)

*Primary Examiner* — Jae Liang

(74) *Attorney, Agent, or Firm* — Rumit Ranjit Kanakia

(57) **CLAIM**

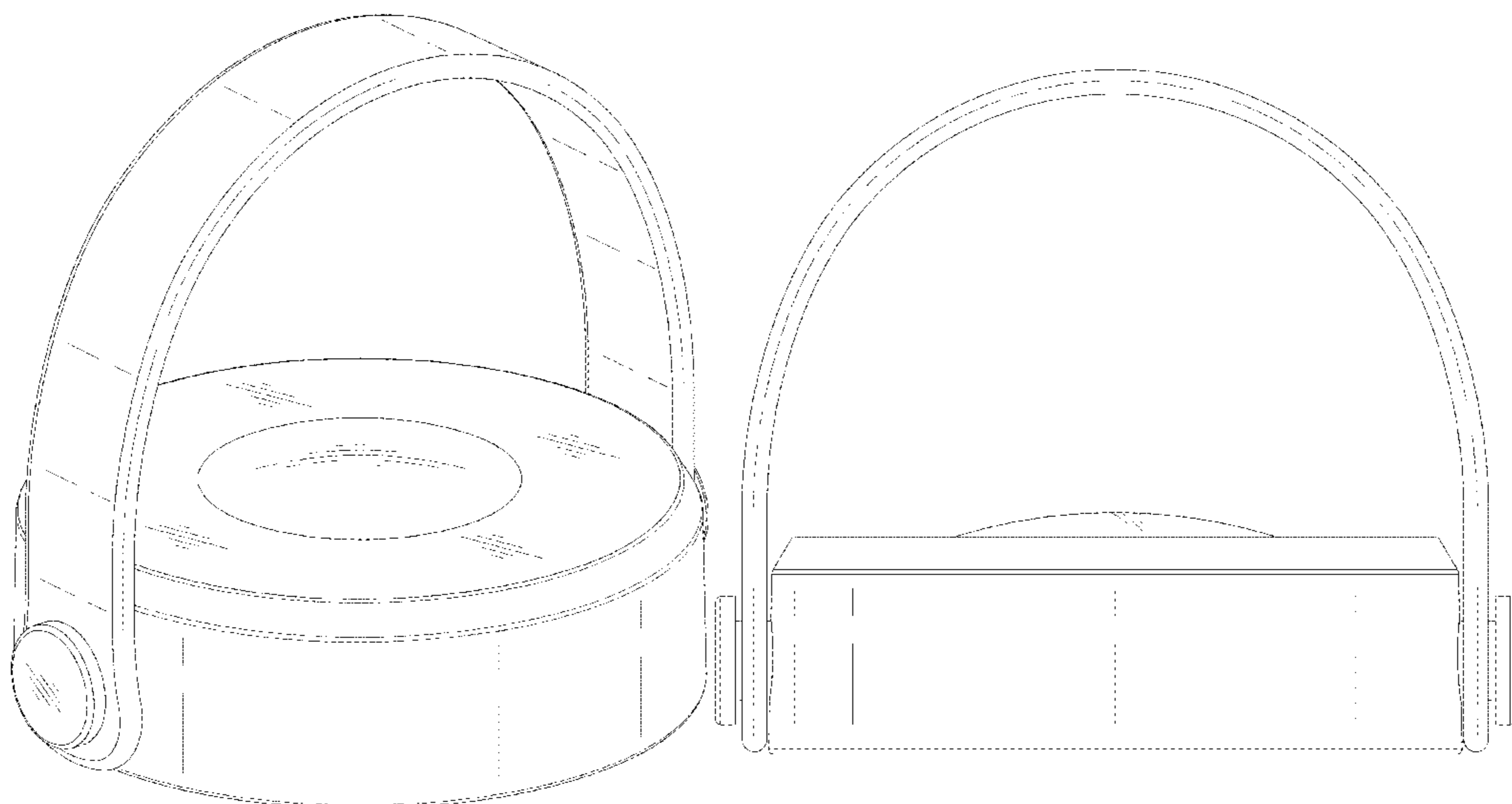
I claim the ornamental design for a vacuum bottle lid with handle, as shown and described.

**DESCRIPTION**

FIG. 1 is a Perspective view of a vacuum bottle lid with handle showing my new design;  
FIG. 2 is a Front view thereof;  
FIG. 3 is a Back view thereof;  
FIG. 4 is a Right-side view thereof;  
FIG. 5 is a Left-side view thereof;  
FIG. 6 is a Top view thereof;  
FIG. 7 is a Bottom view thereof; and,  
FIG. 8 is other Perspective view thereof.

The broken lines in the drawings depict portions of the vacuum bottle lid with handle that form no part of the claimed design.

**1 Claim, 8 Drawing Sheets**



(56)

**References Cited**

U.S. PATENT DOCUMENTS

2016/0318693 A1\* 11/2016 Hein ..... B65D 51/242

OTHER PUBLICATIONS

<https://www.switchbacktravel.com/best-water-bottles-hiking> (Year: 2021).\*

[https://www.amazon.com/Hydro-Flask-Water-Bottle-Stainless/dp/B07YXMKHBX/ref=pd\\_day0fbt\\_img\\_1/139-0755668-4521420?pd\\_rd\\_w=bfKK0&pf\\_rd\\_p=bc8482a-3db5-4b0b-9f15-b86e24acdb00&pf\\_rd\\_r=PENR8E6WGP21217W9GBZ&pd\\_rd\\_r=e8834226-b9aa-4e34-bd47-c6c1bd01e0fa&pd\\_rd\\_wg=pbgx1&pd\\_rd\\_i=B07YXMKHBX&th=1](https://www.amazon.com/Hydro-Flask-Water-Bottle-Stainless/dp/B07YXMKHBX/ref=pd_day0fbt_img_1/139-0755668-4521420?pd_rd_w=bfKK0&pf_rd_p=bc8482a-3db5-4b0b-9f15-b86e24acdb00&pf_rd_r=PENR8E6WGP21217W9GBZ&pd_rd_r=e8834226-b9aa-4e34-bd47-c6c1bd01e0fa&pd_rd_wg=pbgx1&pd_rd_i=B07YXMKHBX&th=1) (Year: 2021).\*

\* cited by examiner

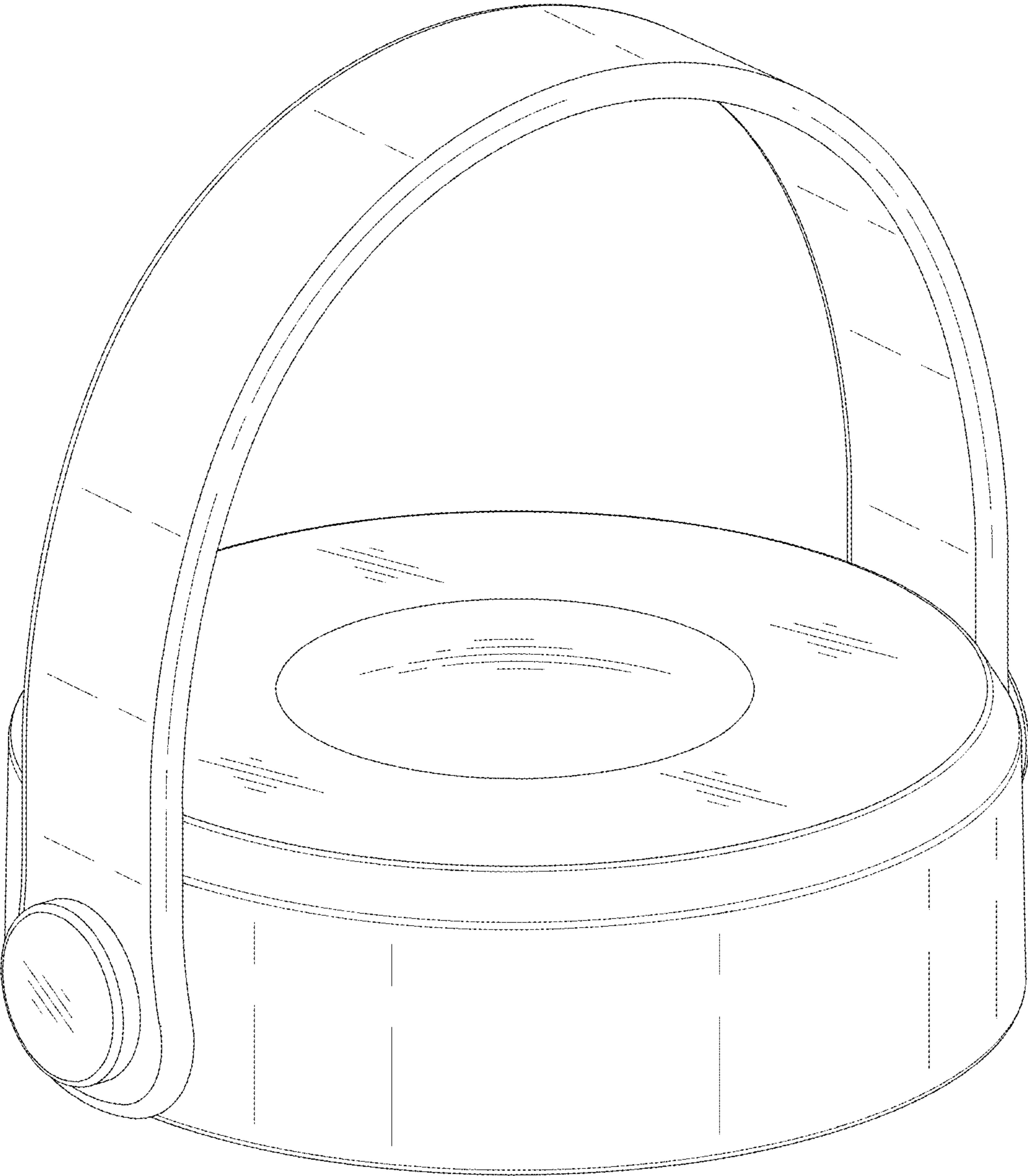


FIG. 1

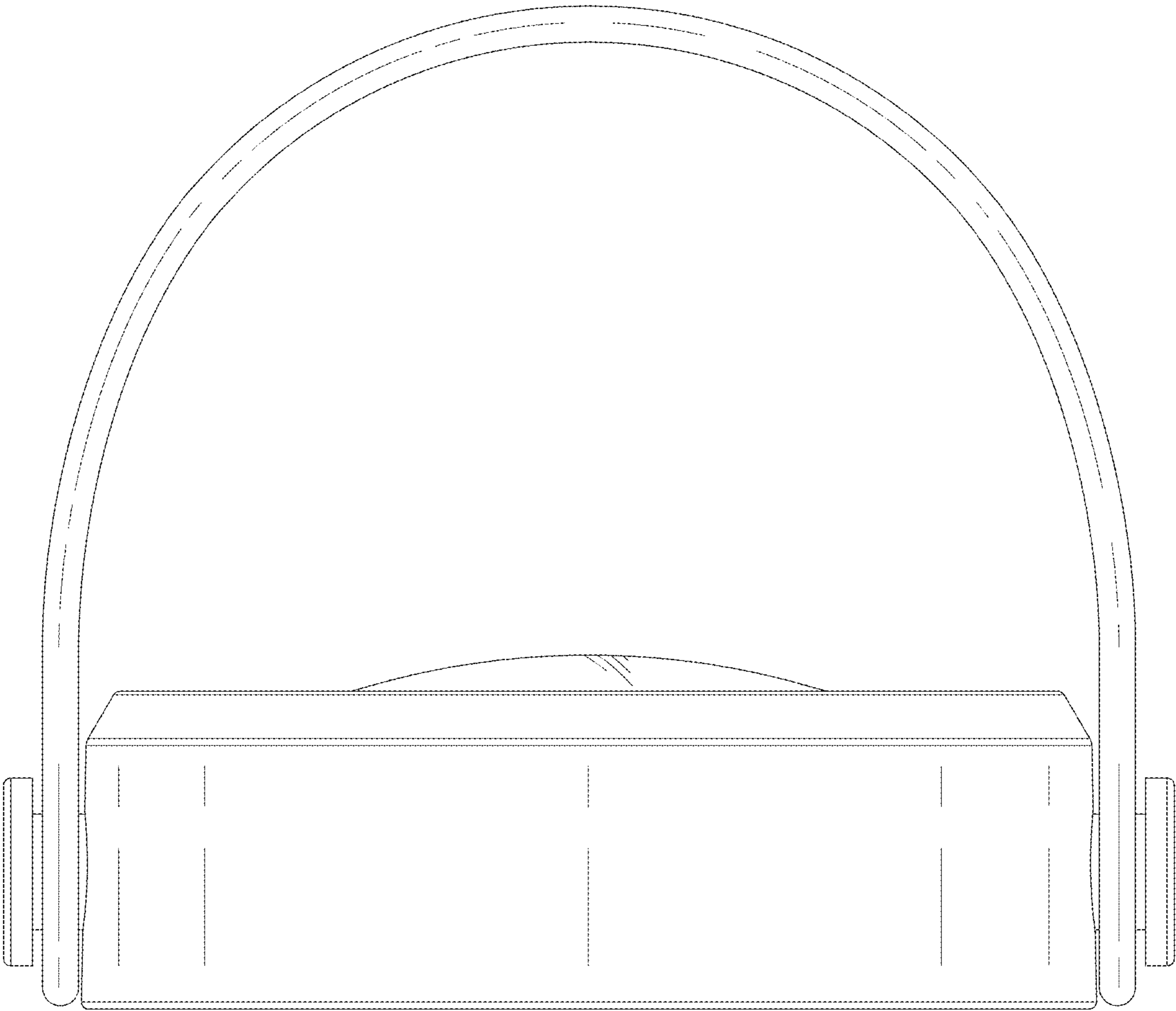


FIG. 2

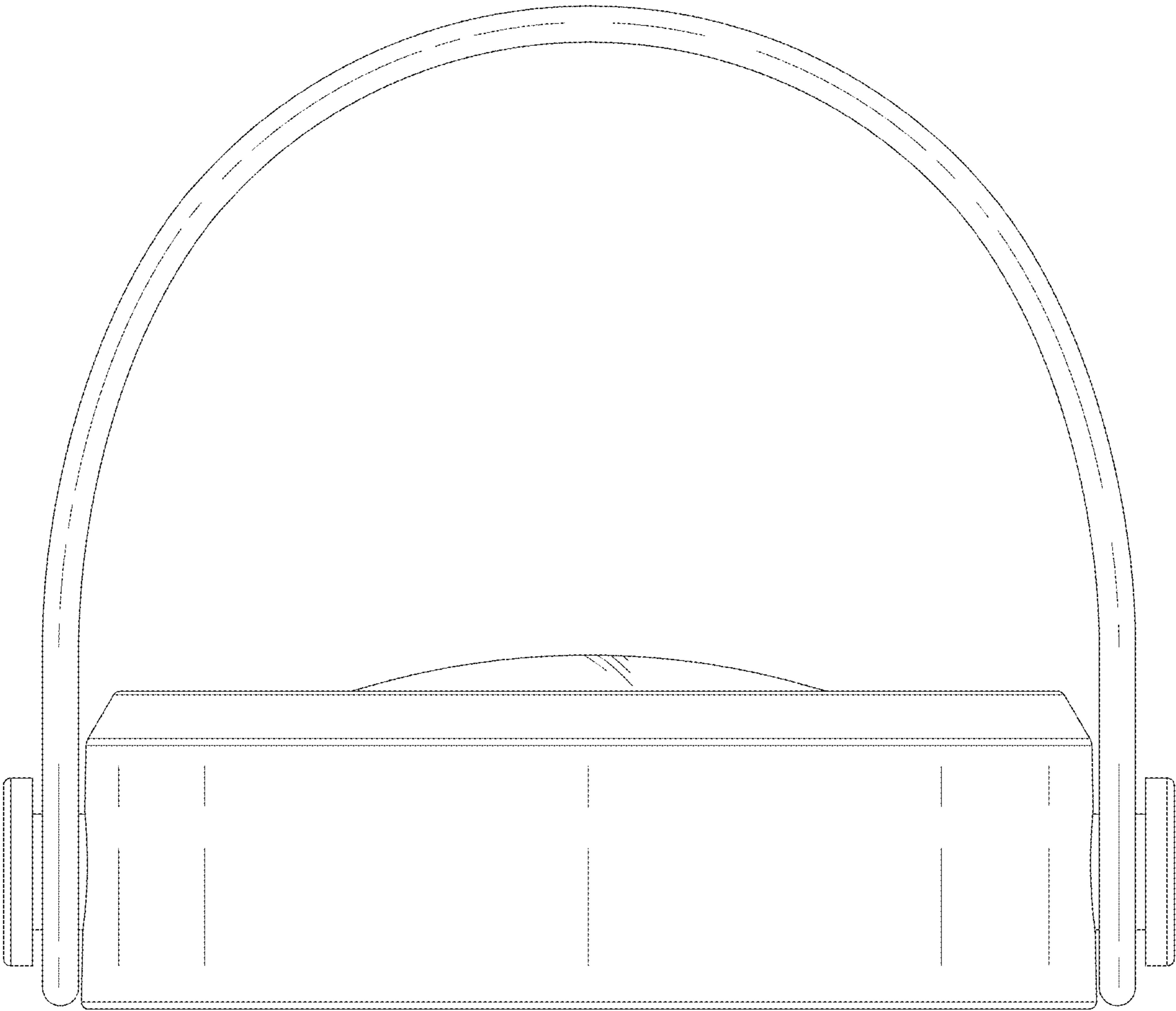


FIG. 3

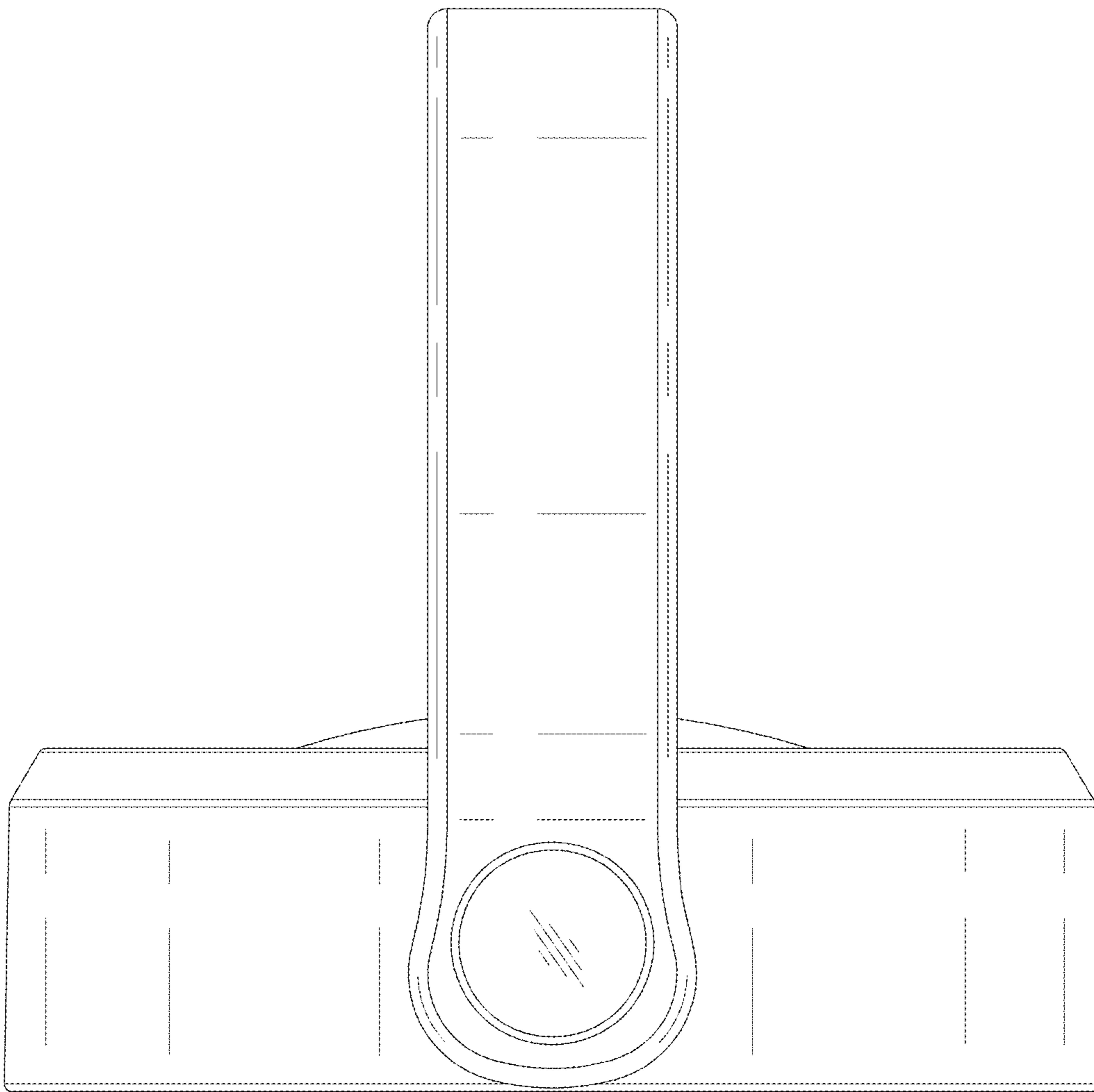


FIG. 4

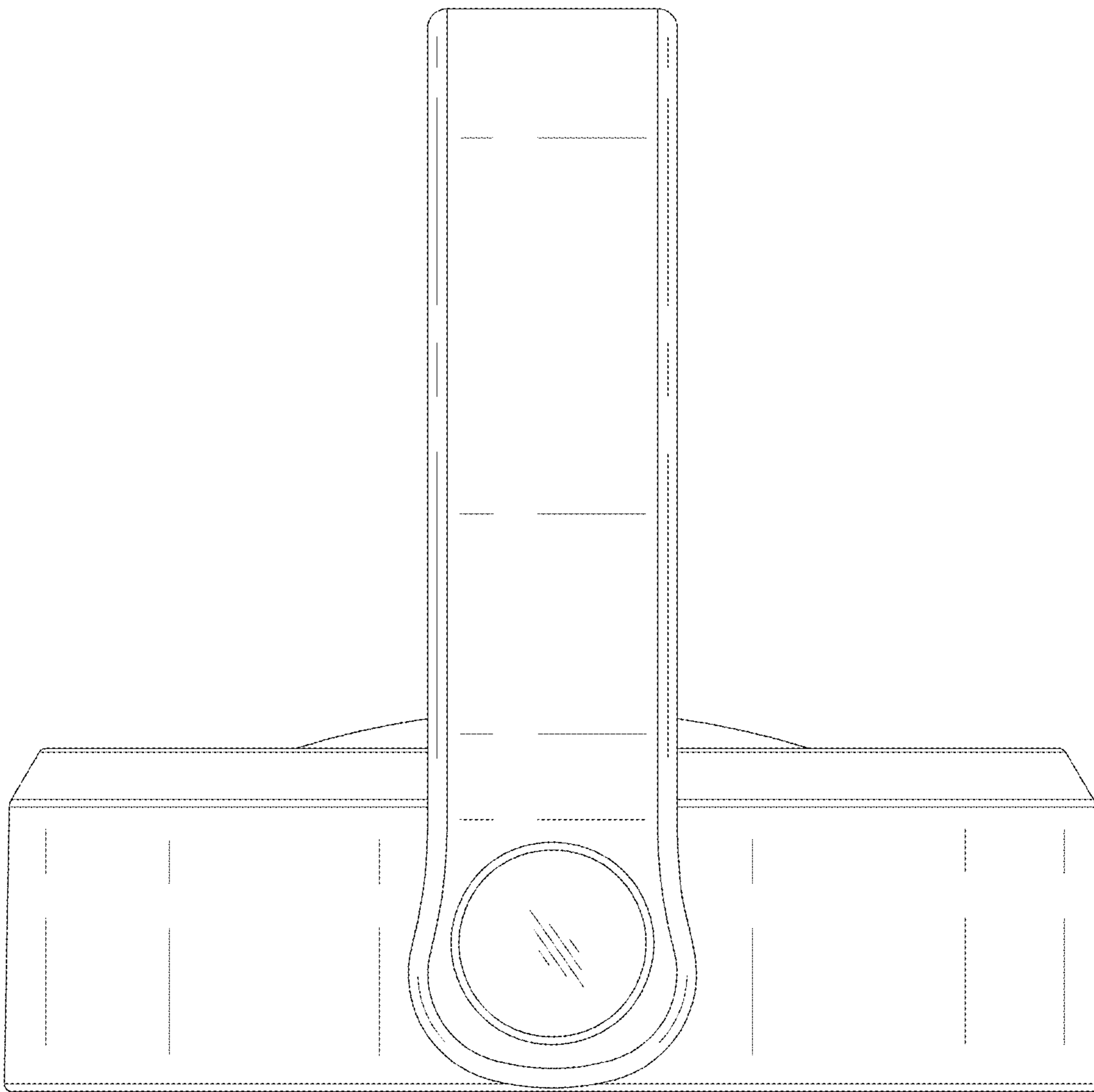


FIG. 5

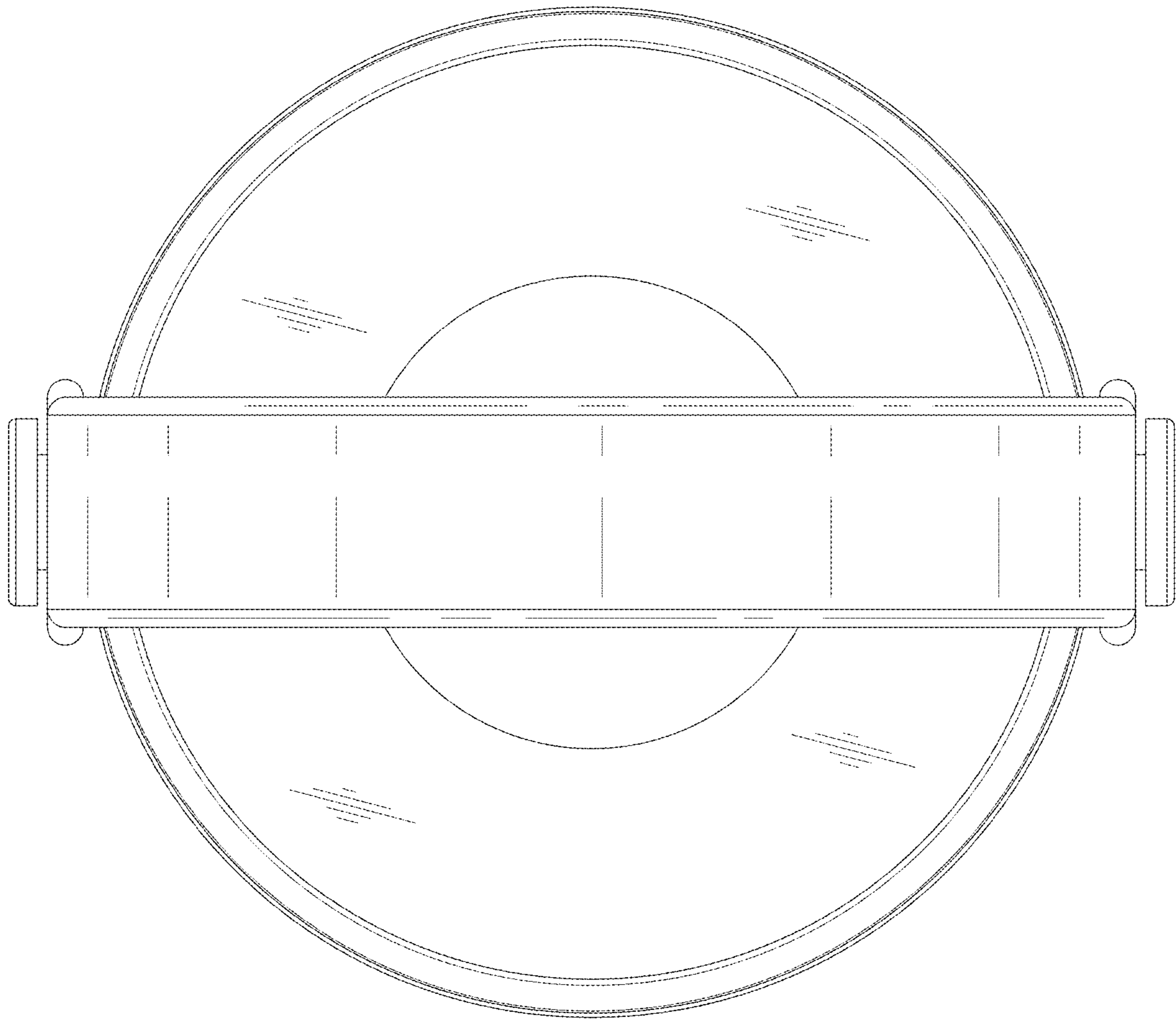


FIG. 6



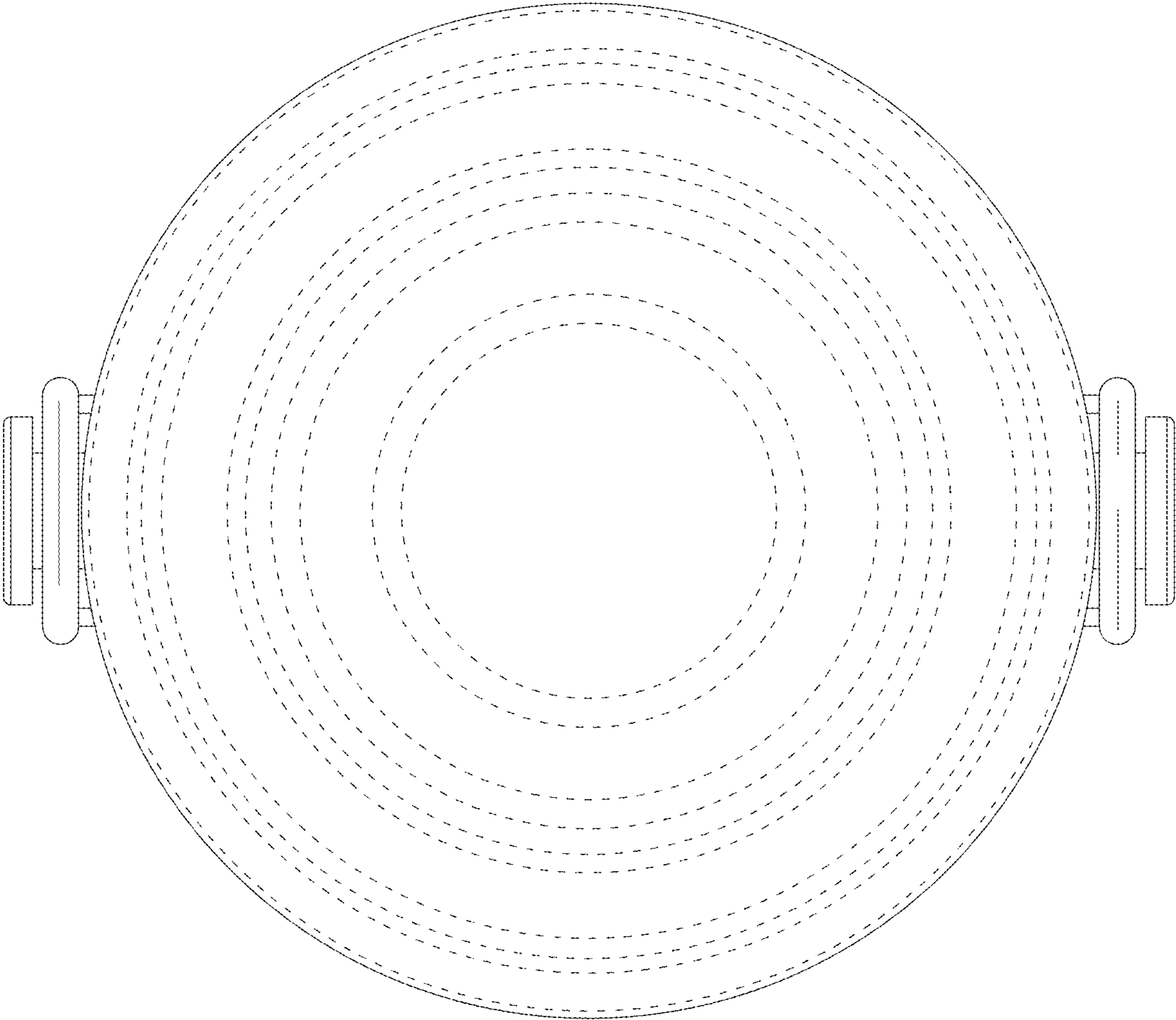


FIG. 7

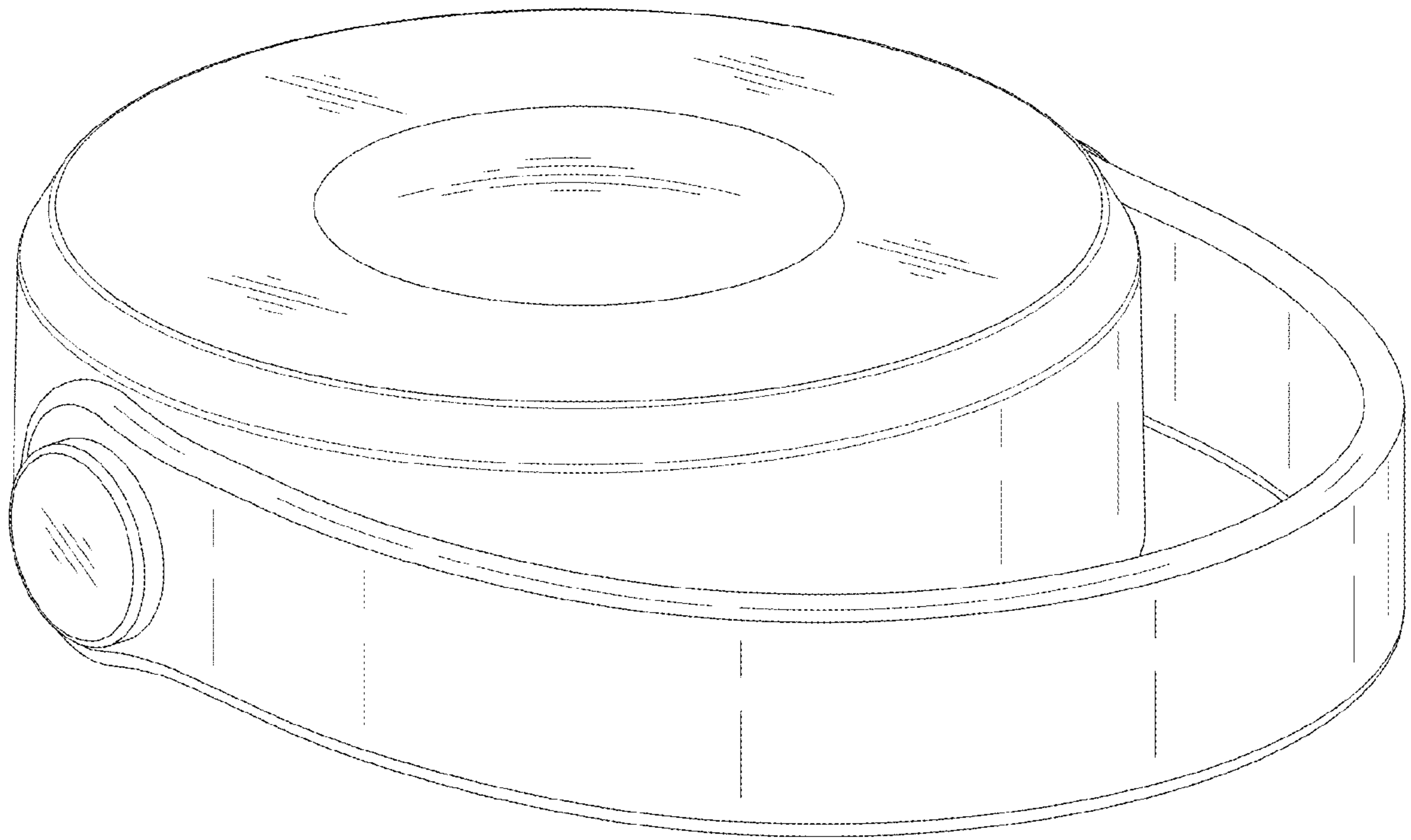


FIG. 8