



US00D946346S

(12) **United States Design Patent**
Pape et al.

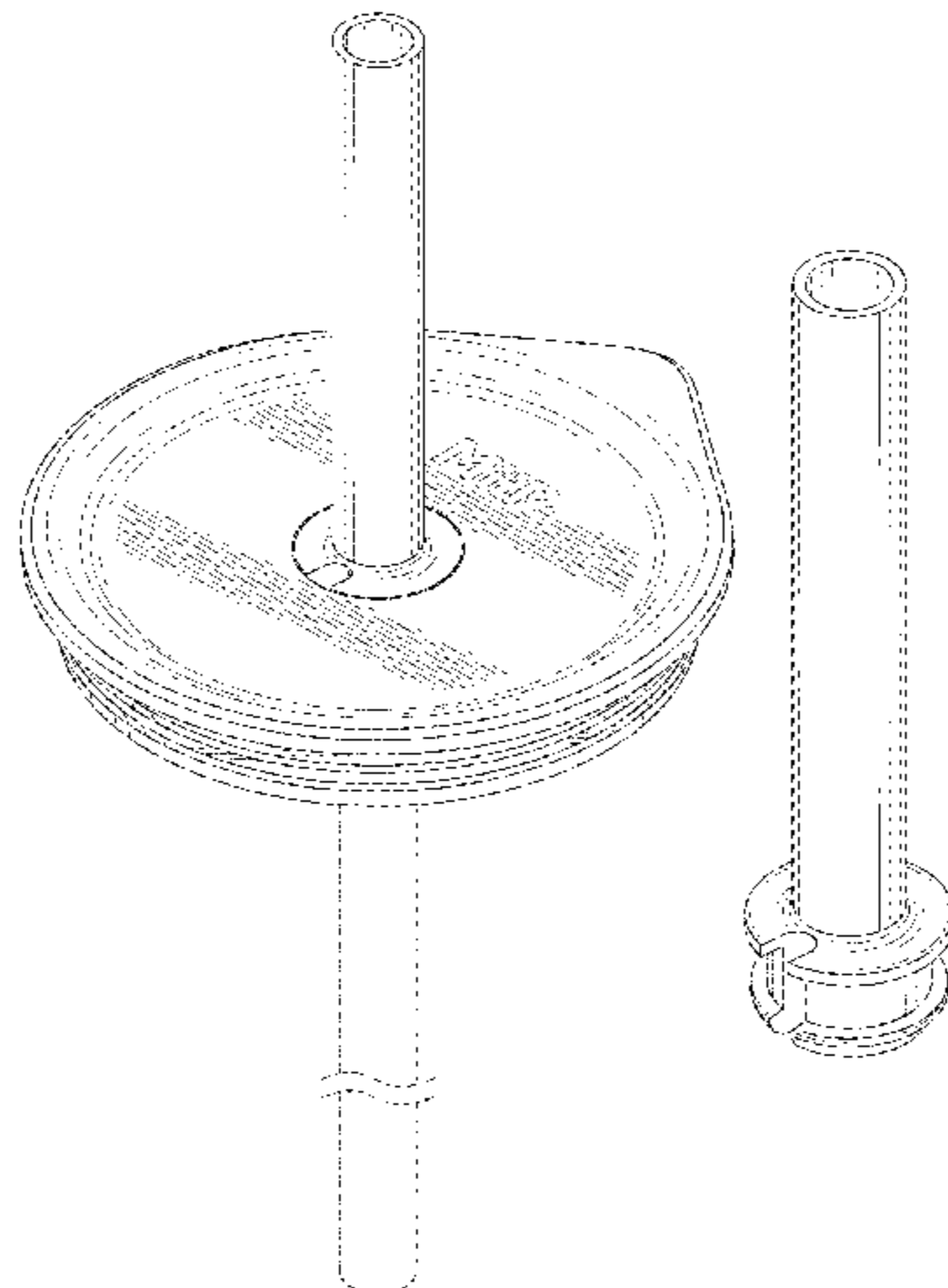
(10) **Patent No.:** **US D946,346 S**
(45) **Date of Patent:** **** Mar. 22, 2022**

- (54) **LID WITH STRAW**
- (71) Applicant: **MiiR Holdings, LLC**, Seattle, WA (US)
- (72) Inventors: **Bryan Pape**, Seattle, WA (US); **Geoff Henkel**, Seattle, WA (US)
- (**) Term: **15 Years**
- (21) Appl. No.: **29/741,090**
- (22) Filed: **Jul. 9, 2020**
- (51) **LOC (13) Cl.** **07-01**
- (52) **U.S. Cl.**
USPC **D7/392.1; D7/396.2; D7/300.2**
- (58) **Field of Classification Search**
USPC **D7/387, 392.1, 396.2, 393, 394, 397, D7/398, 510, 511, 213, 533, 536, 300.1, D7/300.2; D9/435, 436, 439, 440, 449, D9/443, 450**
CPC **A47G 19/22; A47G 19/2211; A47G 19/2222; A45F 3/16; B65D 41/04**
See application file for complete search history.

D278,121 S	3/1985	Sussman
D279,346 S	6/1985	Ruxton
D282,616 S	2/1986	Gallagher
D289,143 S	4/1987	Guillaume
D289,592 S	5/1987	Loughridge
4,715,271 A	12/1987	Kitagawa
4,863,601 A	9/1989	Wittekind et al.
D306,970 S	4/1990	Bauer-Secundus
D316,013 S	4/1991	Jones
D323,758 S	2/1992	Hoelterscheidt
5,132,124 A	7/1992	Tamaki
5,226,585 A	7/1993	Varano
5,267,685 A	12/1993	Sorensen
5,318,786 A	6/1994	Clarkson
D350,457 S	9/1994	Bailey
D351,321 S	10/1994	Steppe, Sr.
D353,973 S	1/1995	Adado
D363,858 S	11/1995	Sweeney
D365,721 S	1/1996	Huang
5,509,583 A	4/1996	Dolson
D377,293 S	1/1997	Husted
5,605,710 A	2/1997	Pridonoff
5,709,314 A	1/1998	Petry
5,771,777 A	6/1998	Davis
D395,794 S	7/1998	Moran
D396,380 S	7/1998	Lai
D398,852 S	9/1998	Gross
5,842,408 A	12/1998	Hatta
D409,051 S	5/1999	Huang
D414,685 S	10/1999	Chahed
D415,651 S	10/1999	Trombly
D415,652 S	10/1999	Leow
D416,755 S	11/1999	Trombly
D417,127 S	11/1999	Steadward
D417,817 S	12/1999	Loew
D427,853 S	7/2000	Kohlase
D429,118 S	8/2000	Hurlbut
D432,865 S	10/2000	Cohen
D436,804 S	1/2001	Wolfe
D438,298 S	2/2001	McNutt
D438,376 S	3/2001	Marshall
D457,395 S	5/2002	Gluck
D458,082 S	6/2002	Gluck
RE37,773 E	7/2002	Trombly
D462,575 S	9/2002	Gluck
D465,132 S	11/2002	Janky
D466,814 S	12/2002	Hurlburt
D471,767 S	3/2003	Ucar Cortes
D475,891 S	6/2003	Bin
D476,528 S	7/2003	Janky
D478,287 S	8/2003	Corker
D481,590 S	11/2003	Lin
D481,591 S	11/2003	Lin

(56) **References Cited**
U.S. PATENT DOCUMENTS

2,414,901 A	1/1947	Schlumbohm
2,705,086 A	3/1955	Schlumbohm
2,889,065 A	6/1959	Lawlor
D199,320 S	10/1964	Swett
3,194,468 A	7/1965	Baron
D202,643 S	10/1965	Hoyt, Jr.
3,327,881 A	6/1967	Maier
3,344,734 A	10/1967	Aguirre-Batres et al.
3,465,905 A	9/1969	Schottanes
3,536,496 A	10/1970	Paoloni
3,603,106 A	9/1971	Ryan
3,730,383 A	5/1973	Dunn
3,739,932 A	6/1973	Westover
3,800,954 A	4/1974	Lampcov
3,938,690 A	2/1976	Butler
4,057,167 A	11/1977	Lee
D248,358 S	7/1978	Thomas
4,362,623 A	12/1982	Holopainen
D274,115 S	6/1984	Gavin



US D946,346 S

D482,238 S	11/2003	Lin		D659,007 S	5/2012	Pape	
D483,676 S	12/2003	Lee		D661,939 S	6/2012	Kern	
D488,029 S	4/2004	Bodum		D664,001 S	7/2012	Liu	
D488,672 S	4/2004	Oas		D668,913 S	10/2012	Mayer	
D488,673 S	4/2004	Farce		8,336,732 B1	12/2012	Tobias	
D489,573 S	5/2004	Li		D675,100 S	1/2013	Herbst	
D490,274 S	5/2004	Irvine		D678,068 S	3/2013	Huang	
6,752,287 B1	6/2004	Lin		D679,188 S	4/2013	Zuchetta	
D495,186 S	8/2004	Poupel		D679,942 S	4/2013	Lyall, III	
6,824,003 B1	11/2004	Wong		D679,979 S	4/2013	Meritt	
D504,796 S	5/2005	Schuler		D680,435 S	4/2013	Wanet	
D519,320 S	4/2006	Festa		D684,312 S	6/2013	Badawi	
D522,312 S	6/2006	Bodum		D684,805 S	6/2013	Bjerre-Poulsen	
D522,796 S	6/2006	Teh-Hsiung		D695,138 S	12/2013	Ball	
D523,692 S	6/2006	Meehan		D700,802 S	3/2014	Miller	
D523,693 S	6/2006	Bodum		D701,079 S	3/2014	Arora	
D527,576 S	9/2006	Gluck		D702,506 S	4/2014	Mettler	
D530,153 S	10/2006	Karp		8,690,006 B1	4/2014	Chiorazzi	
D530,607 S	10/2006	Cornet		D708,954 S	6/2014	Barnes	
D531,033 S	10/2006	Schmidtner et al.		8,746,131 B2	6/2014	Saitoh	
D531,451 S	11/2006	Bin		D709,328 S	7/2014	Ross	
D533,402 S	12/2006	Bin		D717,109 S	11/2014	Simontov	
D533,747 S	12/2006	Jin		D717,115 S	11/2014	Lane	
D533,779 S	12/2006	Schmidtner et al.		D718,577 S	12/2014	Gonzales	
D534,396 S	1/2007	Kramer		D721,251 S	1/2015	Stamper	
D536,213 S	2/2007	Schuler et al.		D722,476 S	2/2015	Kilduff	
D536,214 S	2/2007	Schuler et al.		D722,830 S	2/2015	Miller	
7,172,101 B2	2/2007	Find		8,960,528 B2	2/2015	Sadlier	
D539,608 S	4/2007	Lapsker		D724,896 S	3/2015	Williams	
D539,609 S	4/2007	Ving et al.		D728,313 S	5/2015	Bo	
D541,105 S	4/2007	Jin		D731,240 S *	6/2015	Bell	D7/392.1
D545,128 S	6/2007	Liu et al.		D731,241 S *	6/2015	Yessin	D7/392.1
D549,522 S	8/2007	Tien		D734,206 S	7/2015	Thuma	
7,275,653 B2	10/2007	Tedford, Jr.		D735,528 S *	8/2015	Hubert	D7/400
D561,594 S	2/2008	Condon		D740,029 S	10/2015	Otto	
D562,072 S	2/2008	Wahl		D740,073 S *	10/2015	Zorovich	D7/531
D564,883 S	3/2008	Rica		D740,612 S	10/2015	Crosby	
D565,798 S	4/2008	Ivanova		D742,173 S	11/2015	Perman	
D567,102 S	4/2008	Rhoden		D743,269 S	11/2015	Pape	
H2217 H	6/2008	Smay		D744,280 S	12/2015	Chiang	
D571,152 S	6/2008	Tien		D746,701 S	1/2016	Pape	
D572,083 S	7/2008	Tien		D747,626 S	1/2016	Morris, II	
D572,975 S	7/2008	Germany		D750,437 S	3/2016	Katterheinrich	
D573,017 S *	7/2008	Henderson	D9/436	D750,934 S *	3/2016	Kemker	D7/391
D582,206 S	12/2008	Fuller		D751,331 S	3/2016	Rashid	
D583,191 S	12/2008	Wong		D752,397 S	3/2016	Seiders	
D589,747 S	4/2009	Wong		D756,712 S	5/2016	Kushner	
D589,751 S	4/2009	Liu et al.		D757,542 S *	5/2016	Prum	D9/447
D591,103 S	4/2009	Wong		D758,793 S	6/2016	Ho	
7,513,380 B2	4/2009	Canedo		D758,859 S	6/2016	Sorensen	
D609,571 S	2/2010	Butler		D760,586 S	7/2016	Seiders	
D614,918 S	5/2010	Chisholm		D761,054 S	7/2016	Simontov	
D614,955 S	5/2010	Cresswell		D763,622 S	8/2016	Shirley	
D614,961 S	5/2010	Thomas		D764,870 S	8/2016	Choi	
D617,608 S	6/2010	Yang		D765,008 S	8/2016	Conrad	
D618,508 S	6/2010	George		D767,238 S	9/2016	Boroski	
D621,220 S	8/2010	Lown		D767,328 S	9/2016	Boroski	
D621,648 S	8/2010	Lown		D767,337 S	9/2016	Boroski	
D621,659 S	8/2010	Liu		D768,435 S	10/2016	Hoorntje	
D622,360 S	8/2010	Bouroullec et al.		D771,439 S	11/2016	Miller	
D623,896 S	9/2010	Wahi		D772,651 S	11/2016	Leonard	
D623,949 S	9/2010	Thronsen		D773,250 S	12/2016	Miller	
D624,356 S *	9/2010	Davies	D7/392.1	D774,837 S	12/2016	Seiders	
D625,541 S	10/2010	Kauer		D779,275 S	2/2017	Crosby	
D627,602 S	11/2010	Eyal		D779,276 S	2/2017	Crosby	
D628,486 S	12/2010	Lane		D780,577 S	3/2017	Seiders	
D632,522 S	2/2011	Wahl		D781,101 S *	3/2017	Barber	D7/391
D635,401 S	4/2011	DelVecchio		D781,145 S	3/2017	Seiders	
7,918,364 B2	4/2011	Kim		D781,146 S	3/2017	Seiders	
D639,177 S	6/2011	Pape		D783,368 S	4/2017	Seiders	
D639,608 S	6/2011	Tohm, Sr.		D784,137 S	4/2017	Cates	
D644,062 S *	8/2011	Lorenz	D7/396.2	D786,619 S	5/2017	Joseph	
D650,633 S	12/2011	Birgers		D787,270 S	5/2017	Mishan	
D652,255 S	1/2012	Carland		D789,134 S	6/2017	Lin	
D653,079 S	1/2012	King		D789,737 S	6/2017	Eyal	
D654,869 S	2/2012	Konz		D794,460 S	8/2017	Notheis	
D655,167 S	3/2012	Weber-Trinkfass		D795,008 S	8/2017	Eyal	
D656,361 S	3/2012	Gilbert		D795,013 S	8/2017	Shultz	
D658,878 S	5/2012	Deguglimo		D795,643 S	8/2017	Barlow	

D799,320 S 10/2017 Goodwin
 D802,362 S 11/2017 Spivey
 D804,905 S 12/2017 Seiders
 D805,852 S 12/2017 Seiders
 D808,802 S * 1/2018 Seiders D9/440
 D812,432 S 3/2018 Seiders
 D812,979 S 3/2018 Seiders
 D814,240 S 4/2018 Kabalin
 D814,243 S 4/2018 Pape
 D814,852 S 4/2018 Melanson
 D815,890 S * 4/2018 Boroski D7/392.1
 D815,903 S 4/2018 Steel
 D816,165 S 4/2018 Fassi
 D816,398 S 5/2018 Fleischhut
 D817,093 S 5/2018 Silsby
 D819,396 S 6/2018 Seiders
 D819,405 S 6/2018 Li
 D820,044 S 6/2018 Jenkins
 D820,085 S * 6/2018 Moore D9/449
 D823,537 S 7/2018 Beaver
 D826,641 S 8/2018 Nickley
 D830,128 S 10/2018 Rohe
 D833,820 S 11/2018 Bram
 D834,881 S 12/2018 Seiders
 D835,459 S * 12/2018 Sedgwick D7/392.1
 D840,187 S 2/2019 Sams
 D841,391 S 2/2019 Pape
 D842,027 S 3/2019 Boroski
 D842,038 S 3/2019 Seiders
 D843,212 S 3/2019 Seiders
 D844,383 S 4/2019 Seiders
 D846,995 S 4/2019 El Beaini
 D847,579 S 5/2019 Khan
 D848,791 S 5/2019 Khayman
 10,329,070 B2 6/2019 Wengerd
 D855,390 S * 8/2019 Lullie D7/392.1
 D857,462 S 8/2019 Silsby
 D864,645 S 10/2019 Perez
 D867,058 S * 11/2019 Spivey D7/392.1
 10,479,544 B2 11/2019 Crosby
 D868,536 S 12/2019 Henkel
 D871,844 S 1/2020 Adams, Jr.
 D873,603 S * 1/2020 Diener D7/392
 D874,216 S 2/2020 Henkel
 D877,609 S 3/2020 Elman
 D878,932 S 3/2020 Holley, Jr.
 D882,111 S 4/2020 Bib
 D882,339 S 4/2020 Pape
 D884,472 S * 5/2020 Matauch D9/447
 D885,177 S 5/2020 Sevsek
 D887,774 S * 6/2020 Matauch D7/392.1
 D890,573 S 7/2020 Jacobsen
 D891,866 S * 8/2020 Ames D7/510
 D891,966 S 8/2020 Ames
 D896,026 S * 9/2020 Chu D7/396.2
 D909,143 S 2/2021 Pisarevsky
 D911,109 S 2/2021 Johnson
 D913,046 S 3/2021 Spivey
 2003/0059500 A1 3/2003 Bailey et al.
 2003/0076673 A1 4/2003 Diak/Ghanem
 2006/0177159 A1 8/2006 Aikenhead
 2007/0272650 A1 11/2007 Kishi et al.
 2008/0006643 A1 1/2008 Ma
 2008/0073343 A1 3/2008 Shadrach et al.
 2008/0073347 A1 3/2008 Shadrach
 2009/0283526 A1 11/2009 Pierce
 2010/0200590 A1 8/2010 Shadrach, III et al.
 2010/0288782 A1 11/2010 Lin
 2011/0198352 A1 8/2011 Lown
 2012/0000369 A1 1/2012 Saitoh et al.
 2012/0205371 A1 8/2012 Lee
 2012/0247998 A1 * 10/2012 Wahl B65D 1/265
 206/459.5
 2012/0312816 A1 12/2012 Barreto et al.
 2013/0320013 A1 12/2013 Bratsch
 2013/0334166 A1 12/2013 Garipalli
 2014/0061208 A1 3/2014 Boyd
 2014/0102965 A1 4/2014 Jones
 2015/0374151 A1 12/2015 Lin

2016/0058227 A1 3/2016 Albers
 2016/0100702 A1 4/2016 Albers
 2016/0137332 A1 5/2016 Crosby
 2017/0055743 A1 * 3/2017 Jorge A47G 21/18
 2017/0071394 A1 3/2017 Numata
 2017/0101209 A1 4/2017 Viedt
 2017/0251850 A1 * 9/2017 Coon A47G 19/2266
 2017/0253392 A1 9/2017 Bann
 2017/0273484 A1 9/2017 Spivey
 2018/0050925 A1 2/2018 Gregory
 2018/0134520 A1 7/2018 Lovern
 2018/0257853 A1 9/2018 Chuang
 2019/0029460 A1 1/2019 Cohen
 2019/0313837 A1 10/2019 Wu

FOREIGN PATENT DOCUMENTS

CN 102802462 11/2012
 JP 1644672 10/2019

OTHER PUBLICATIONS

https://www.amazon.com/Simple-Modern-Classic-Tumbler-Straw/dp/B07D4BNCCM/ref=sr_1_16?dchild=1&keywords=lid+with+removeable+straw&qid=1630612378&sr=8-16 Simple Modern (Year: 2018).*

Tronco 20oz Glass Tumbler Straw Silicone Protective Sleeve Bamboo Lid—BPA Free https://www.amazon.com/dp/B07H3SNFQN/ref=cm_sw_em_r_mt_dp_M87K7J1FQGEJ597A46AC?_encoding=UTF8&psc=1 (Year: 2017).*

“Tervis Lids”, retrieved from <http://www.tervis.com/designs/Accessories/Travel-lids/dc0fe00377e0ec722da5bd146541427c#lupc093597437694&upc093597240386> on Sep. 10, 2015.”

Aladdin, ““Recycled & Recyclable Travel Mug—Grey Replacement Lid””, retrieved from <http://www.shopaladdin-pmi.com/product/recycled-recyclable-travel-mug-grey-replacement-lid> on Sep. 10, 2015.

https://www.amazon.com/dp/B081B8LV77/ref=cm_sw_em_r_mt_dp_3q4.FbPY3ZKQF?_encoding=UTF8&psc=1 (year: 2019).

Promotional Items, Inc., ““Stainless Steel 14 oz. Tool Box Travel Mug Lid””, retrieved from http://www.promotional-items-inc.com/catalog/stainless_steel_14oz_tool_box_travel_mug_lid.html on Sep. 2015.

https://www.amazon.com/MAGEDON-Carrier-handheld-Running-jogging/dp/B07FMTQ5Y2/ref=sr_1_25?dchild=1&keywords=thermos+bottle+with+handle&qid=1621704019&sr=8-25 (year:2019).

https://www.amazon.com/Simple-Modern-Classic-Tumbler-Straw/dp/B07D4BNCCM/ref=sr_1_16?dchild=1&keywords=lid+with+removable+straw&qid=1630612378&sr=8-16 Simple Modern (Year: 2018).

MCM Ribbed Tumbler _ Etsy [online] URL: <https://www.etsy.com/listing/902531336/mcm-ribbed-tumblerdrinking-glass?> (site visited: Feb. 2021) (Year: 2000).

Photo of a takeaway disposable paper co [online] URL: <https://www.alamy.com/stock-photo-photo-of-a-takeaway-disposable-paper-coffee-cup-on-a-background-of-48109339.html?> (site visited: Aug. 2021) (Year: 2012).

Huskee Cup and Lid [online] URL: <https://www.amazon.com/Huskee-Cup-Lid-Natural-12oz/dp/B07XGKMKT7/> (site visited: Aug. 2021) (Year: 2019).

16oz Ripple—Wrap™ Hot Cup _ Cups & Cup Accessories [online] URL: <https://www.detpak.com/detpak/cups--cup-accessories/ripple-wrap-hot-cups/r292s0001/> (site visited: Aug. 2021) (Year: 2021).

On De Vase Natural or Mist White Minimalist wooden vase _ Etsy [online] URL: <https://www.etsy.com/listing/1037014647/onde-vase-natural-or-mist-white?> (site visited: Aug. 2021) (Year: 2021).

Pack of 8 Coffee Cups With Lids [online] URL: <https://www.therange.co.uk/cooking-and-dining/outdoor-dining/> (site visited: Aug. 2021) (Year: 2021).

Patient Cups Plastic Ribbed 5oz Lavender 1 000_case [online] URL: <https://www.dhpsuppiy.com/item/630-9210/Patient-Cups-Plastic-Ribbed/> (site visited: Aug. 2021) (Year: 2021).

Pleated Vacuum Cleaner Air Filter Cartridge PTFE Material 0112311 Model [online] URL: <https://www.cartridgefilterelement.com/sale->

11508762-pleatedvacuum-cleaner-air-filter-cartridge-ptfe-material-0112311-model.html (site visited: Aug. 2021) (Year: 2021).
 Ripple Cups, Ripple Coffee Cups, Ripple PaperCups in Stock—U Line [online] URL: https://www.uline.com/BL_594/Uline-Ripple-Insulated-Cups (site visited: Aug. 2021) (Year: 2020).
 Kaffeeform—Reusable Weducer Cup [online] URL: <https://www.kaffeeform.com/en/shop/weducer-cup/> (site visited: Aug. 2021) (Year: 2020).
 Stainless Steel Tumbler, Starbucks.com, captured Nov. 20, 2015, pp. 1.
 Tumbler, Corkcicle.com, captured Nov. 20, 2015, pp. 1-2.
 Pictures of Great American Products Tumbler, published date unknown, but prior to the filing date of the present application.
 Photographic image of YETI 30oz Rambler Tumbler, published date unknown, but prior to the filing date of the present application.
 Photographic image of YETI 20oz Rambler Tumbler, published date unknown, but prior to the filing date of the present Application.
 Promotional Items, Inc., “Stainless Steel—14 oz. Super Saver Tumbler”, retrieved from <https://www.promotional-items-inc.com/stainless-steel-super-saver-tumbler.html> on Oct. 20, 2021.
 The Product Farm, “BeerNStein Tumbler Lid”, retrieved from <https://theproductfarm.com/portfolio/beerstein-beer-tumbler-3d-printed-lid> on Oct. 20, 2021.
 Hit Promotional Products, “24 Oz. Biggie Tumbler with Lid”, retrieved from http://www.hitpromo.net/product/_how/5853/24-oz-biggie-tumbler-with-lid on Aug. 27, 2015.
 Promo Industrial Co., Limited, “16 Oz. Blue Bullet Travel Mug W/ Handle”, retrieved from http://www.oempromo.com/Bollle-cup-and-mug/Mugs/index_73.hlm on Aug. 27, 2015.
 Vat19, “16 oz. Dual Auto/USB Heated Mug”, retrieved from <https://www.vat19.com/item/16-oz-dual-auto-usb-heater-coffee-mug> on Aug. 27, 2015.
 Timolino, “Signature Thermal Travel Mug Slide—Tab Lid”, retrieved from <http://limolino.com/products/signature-hermal-travel-mug-slide-lab-lid> on Aug. 27, 2015.

* cited by examiner

Primary Examiner — Jae Liang
 (74) *Attorney, Agent, or Firm* — Janeway Patent Law, PLLC; John M. Janeway

(57) **CLAIM**

The ornamental design for a lid with straw, as shown and described.

DESCRIPTION

FIG. 1 is a perspective view of a lid with straw showing my new design.

FIG. 2 is a front, elevation view of the lid with straw shown in FIG. 1.

FIG. 3 is a rear, elevation view of the lid with straw shown in FIG. 1.

FIG. 4 is a left, elevation view of the lid with straw shown in FIG. 1.

FIG. 5 is a right, elevation view of the lid with straw shown in FIG. 1.

FIG. 6 is a top, plan view of the lid with straw shown in FIG. 1.

FIG. 7 is a bottom, plan view of the lid with straw shown in FIG. 1.

FIG. 8 is a perspective view of the straw portion of the lid with straw shown in FIG. 1.

FIG. 9 is a rear, elevation view of the straw portion of the lid with straw, shown in FIG. 8.

FIG. 10 is a front, elevation view of the straw portion of the lid with straw, shown in FIG. 8.

FIG. 11 is a left, elevation view of the straw portion of the lid with straw, shown in FIG. 8.

FIG. 12 is a right, elevation view of the straw portion of the lid with straw, shown in FIG. 8.

FIG. 13 is a top, plan view of the straw portion of the lid with straw, shown in FIG. 8.

FIG. 14 is a bottom, plan view of the straw portion of the lid with straw, shown in FIG. 8.

FIG. 15 is a perspective view of the lid portion of the lid with straw shown in FIG. 1.

FIG. 16 is a front, elevation view of the lid portion of the lid with straw, shown in FIG. 15.

FIG. 17 is a rear, elevation view of the lid portion of the lid with straw, shown in FIG. 15.

FIG. 18 is a left, elevation view of the lid portion of the lid with straw, shown in FIG. 15.

FIG. 19 is a right, elevation view of the lid portion of the lid with straw, shown in FIG. 15.

FIG. 20 is a top, plan view of the lid portion of the lid with straw, shown in FIG. 15; and,

FIG. 21 is a bottom, plan view of the lid portion of the lid with straw, shown in FIG. 15.

The broken lines in FIGS. 1-7, 10, 15 and 20 are for the sole purpose of showing portions of the lid and straw, and do not form a part of the claimed design.

1 Claim, 10 Drawing Sheets

FIG. 1

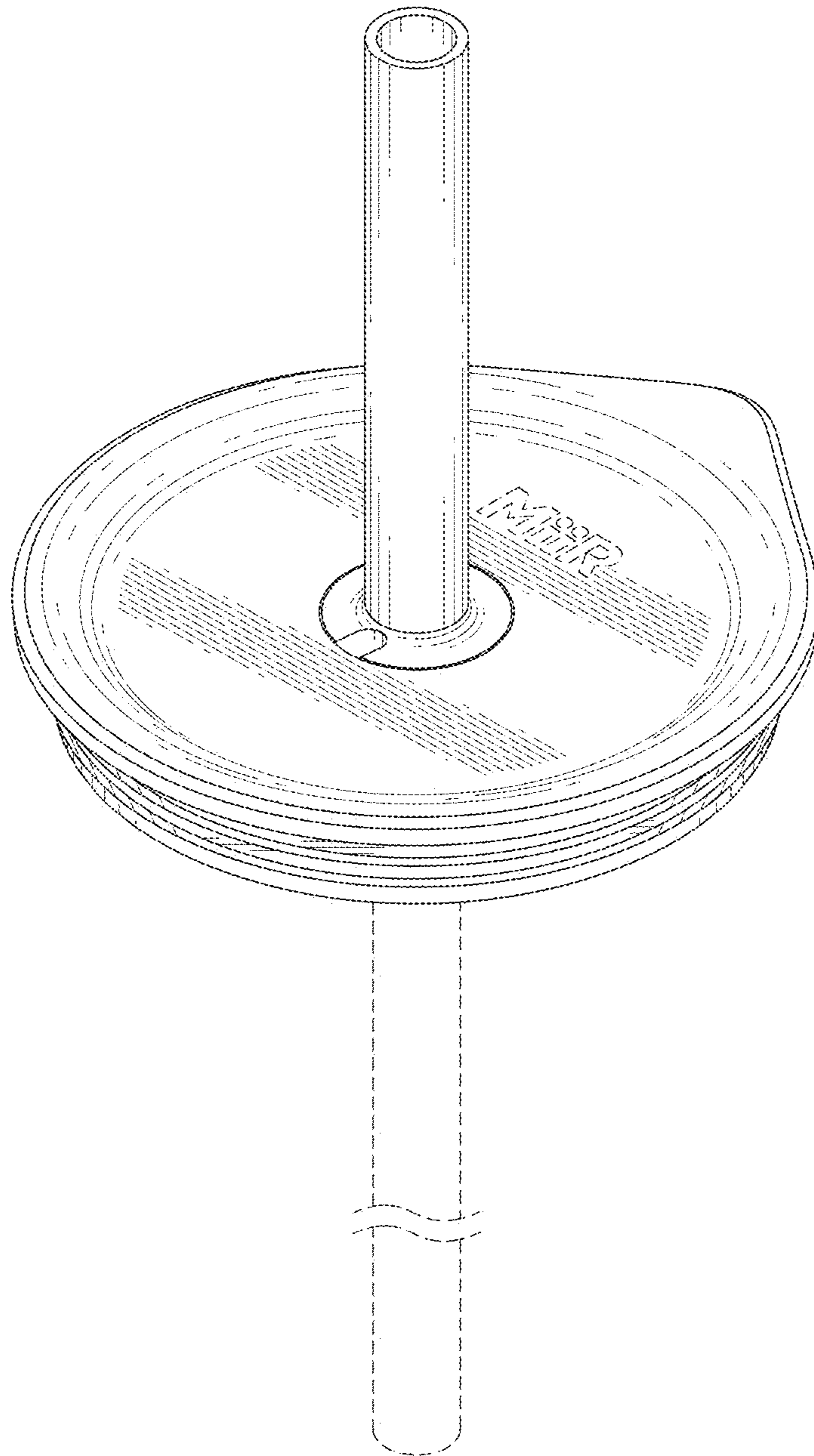


FIG. 3

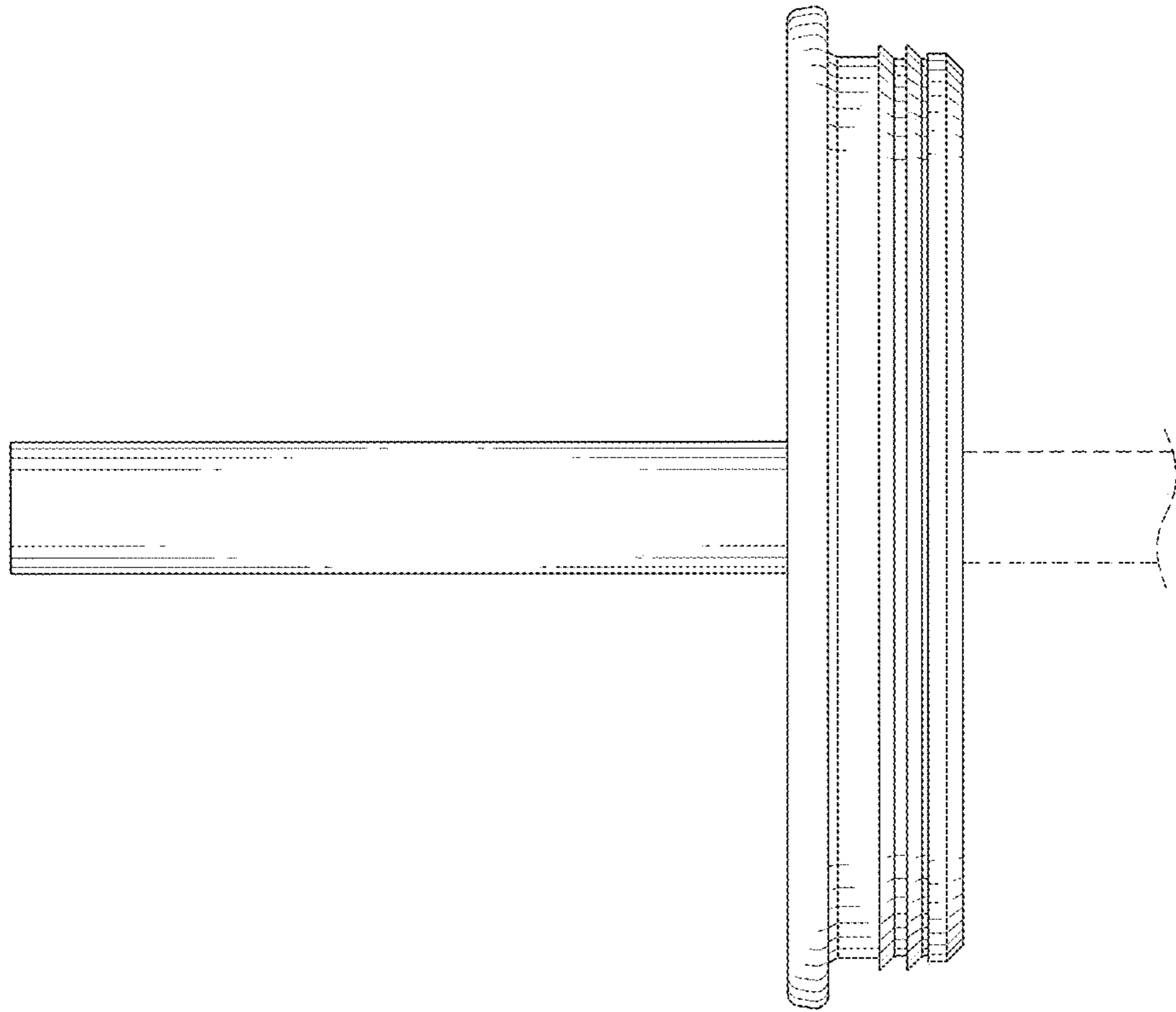


FIG. 2

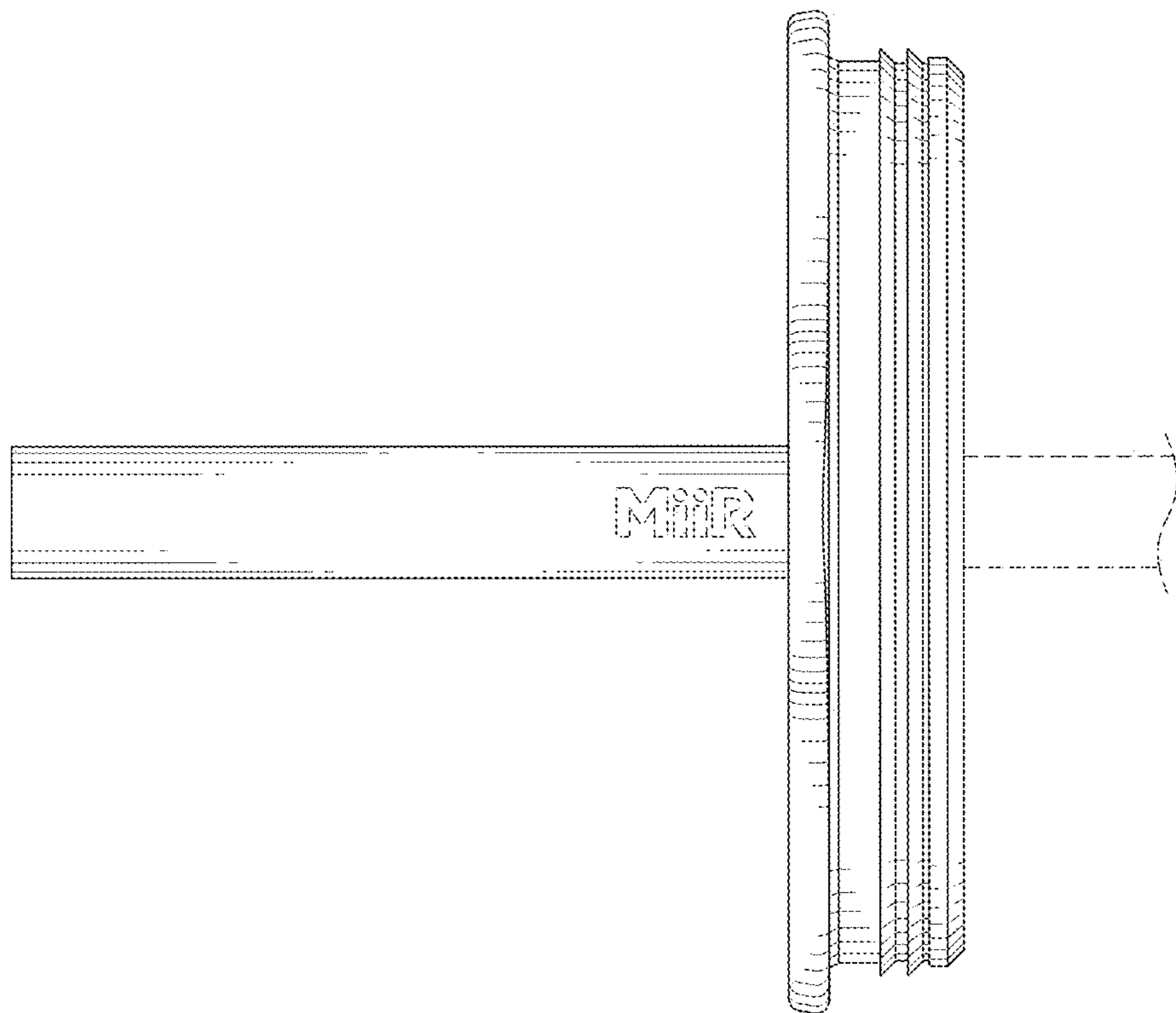


FIG. 5

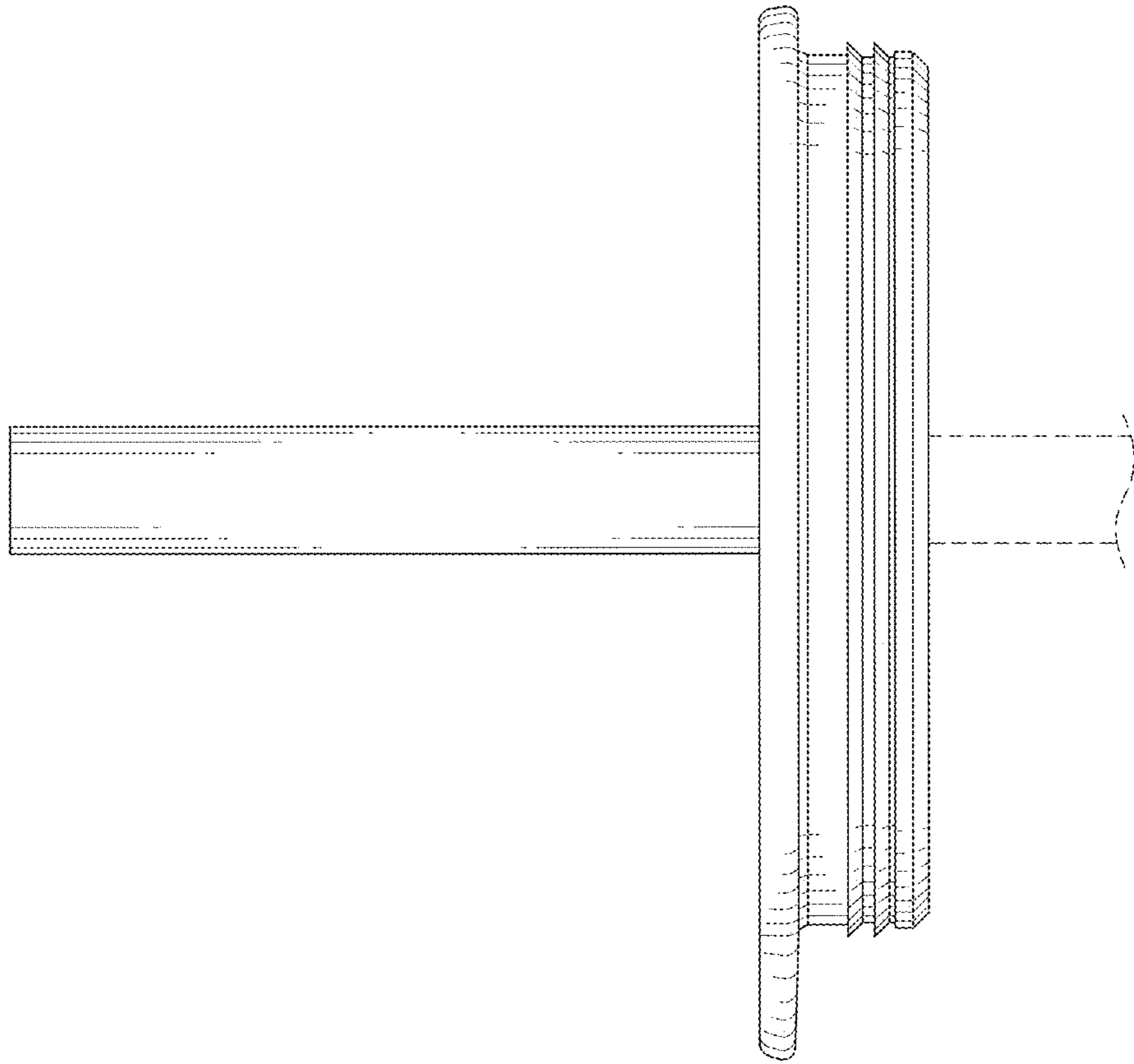


FIG. 4

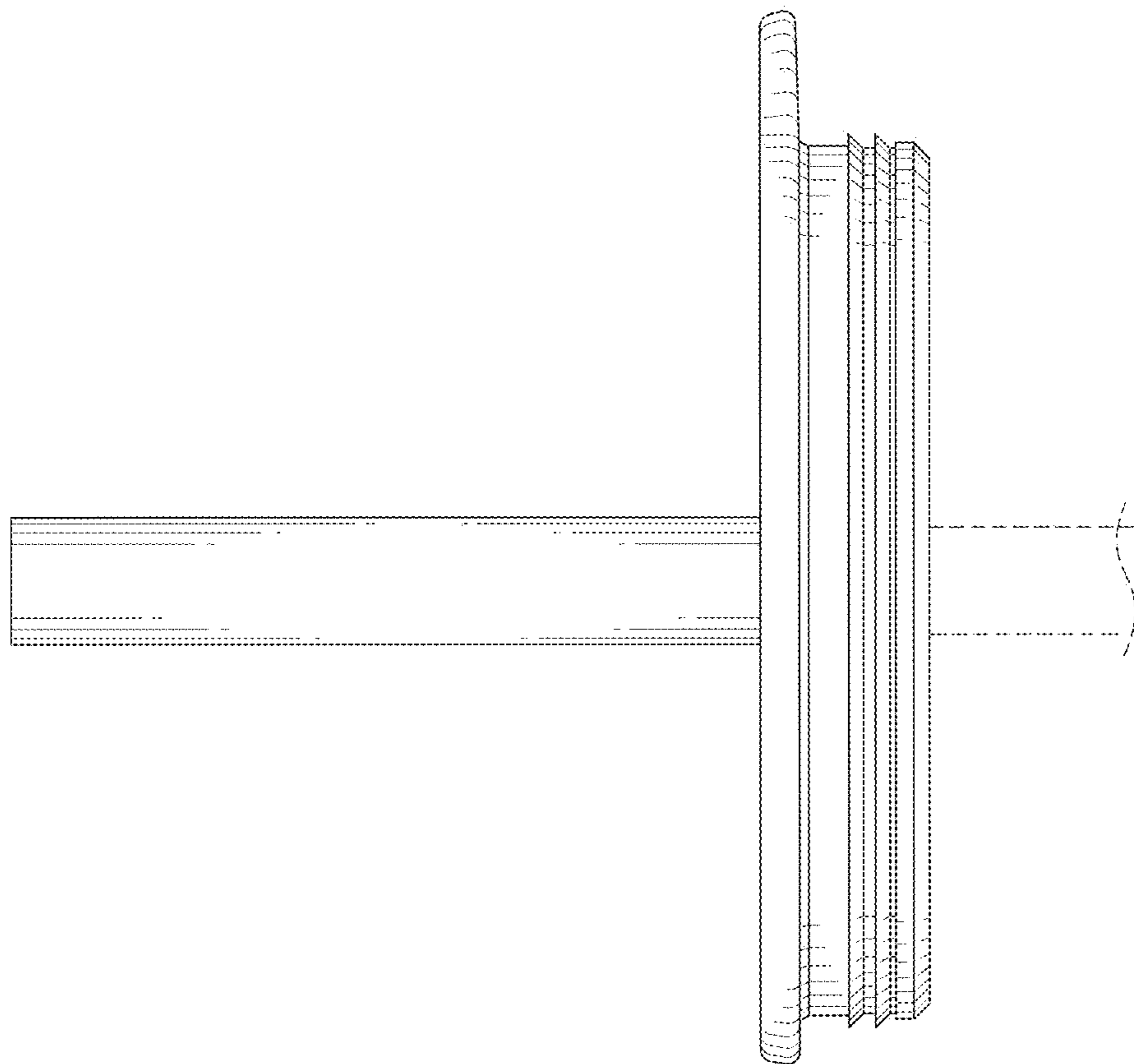


FIG. 6

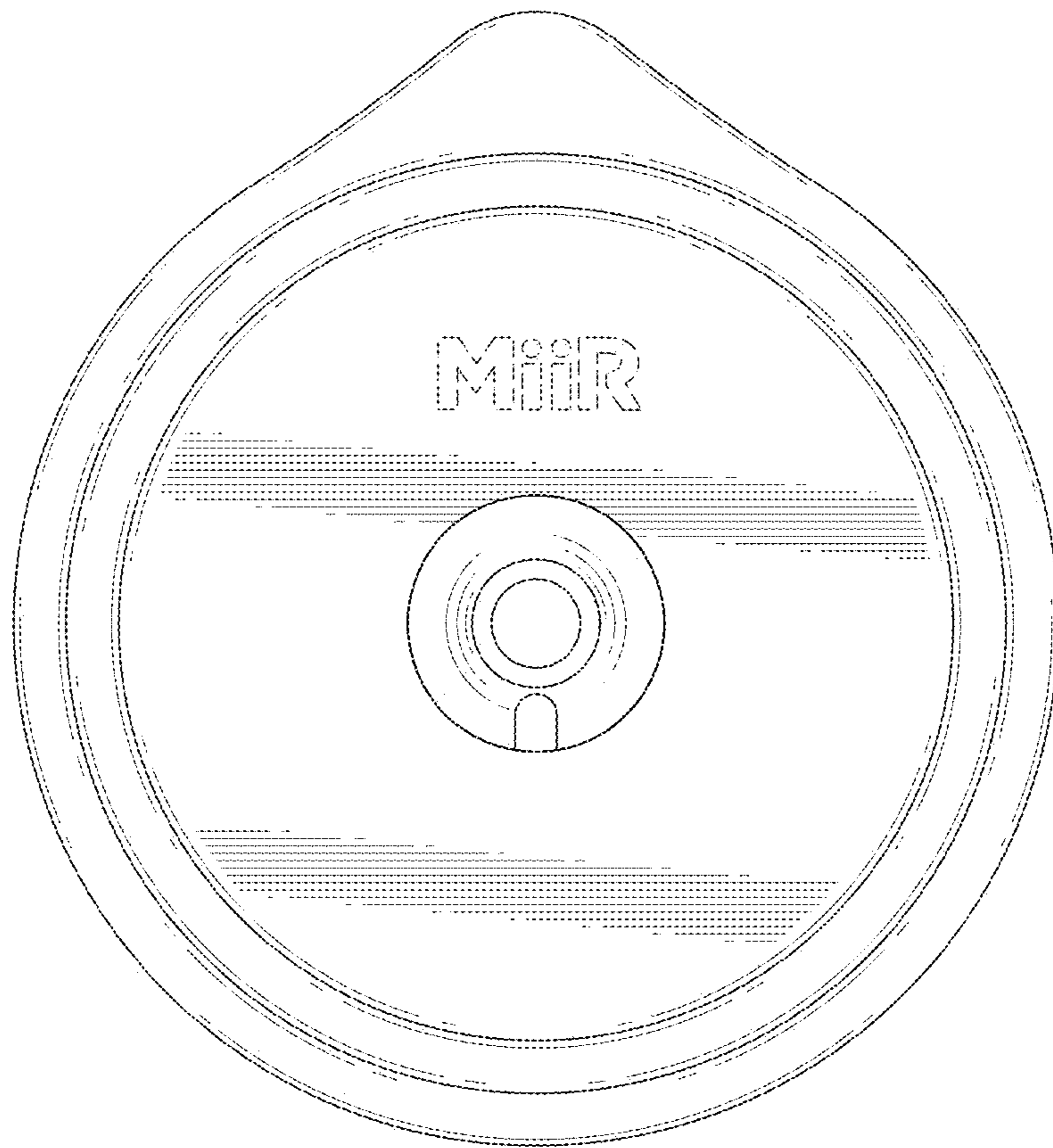


FIG. 7

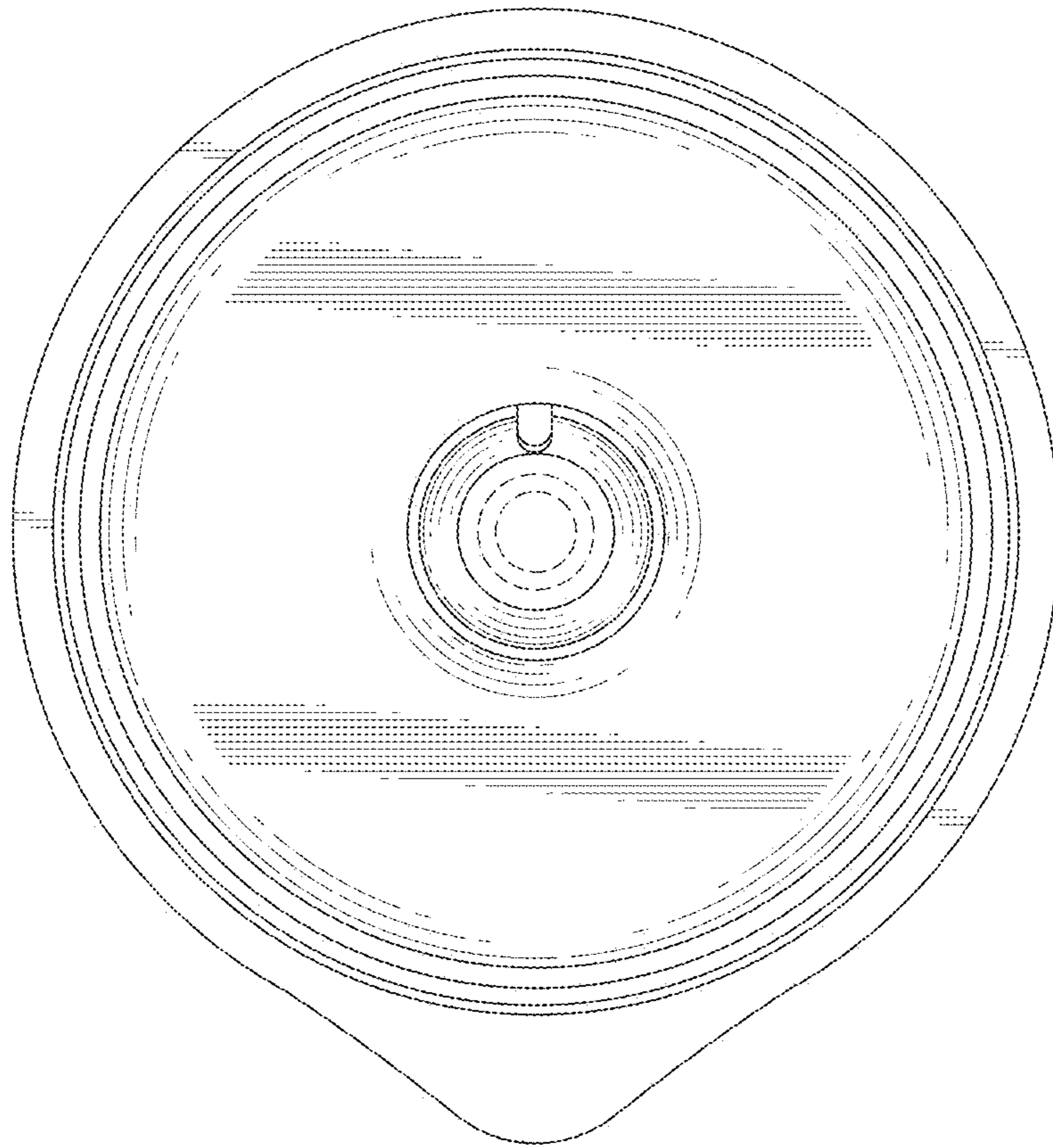


FIG. 12

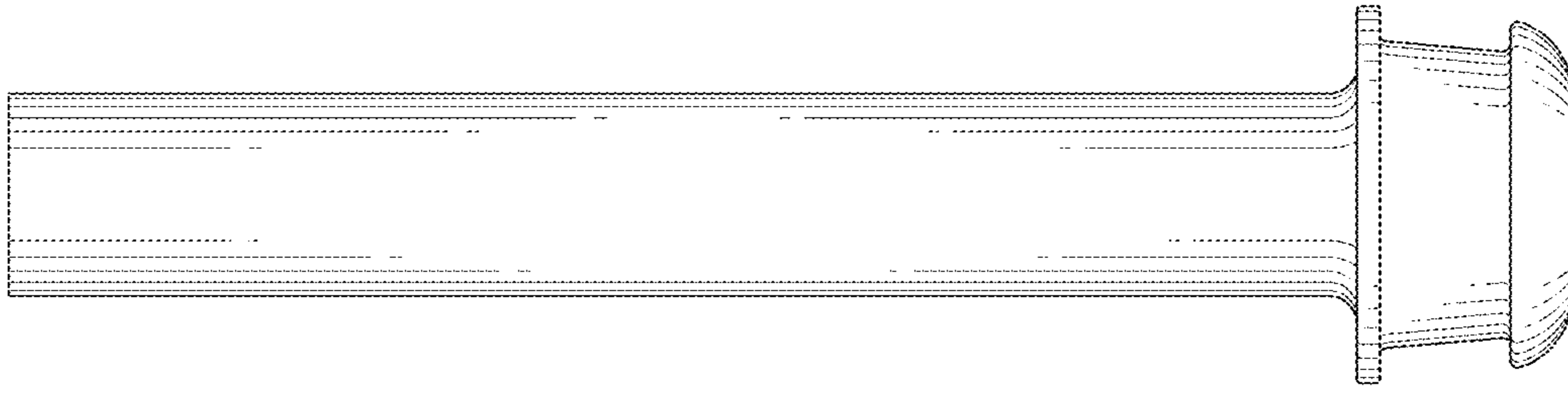


FIG. 11

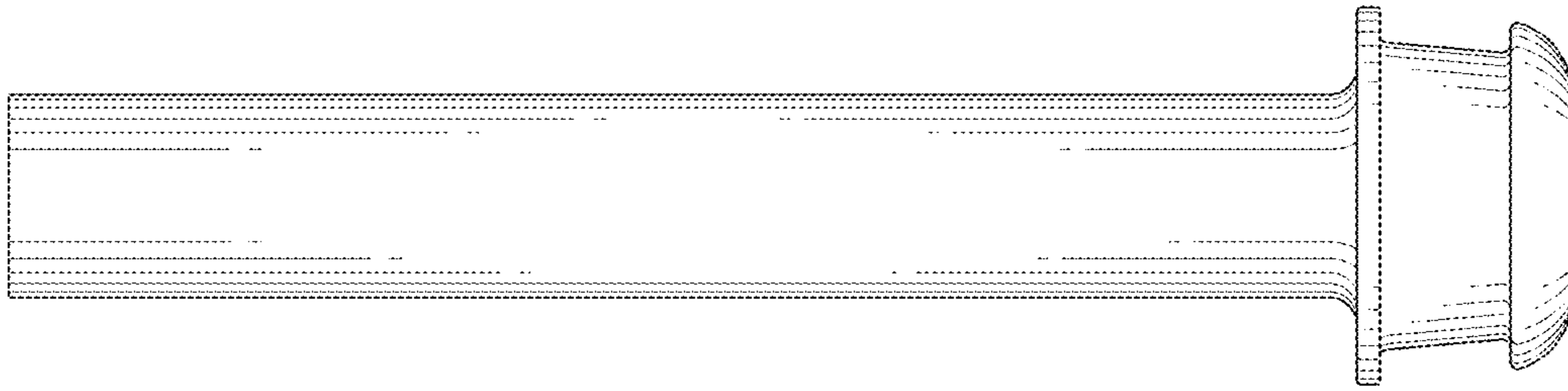


FIG. 10

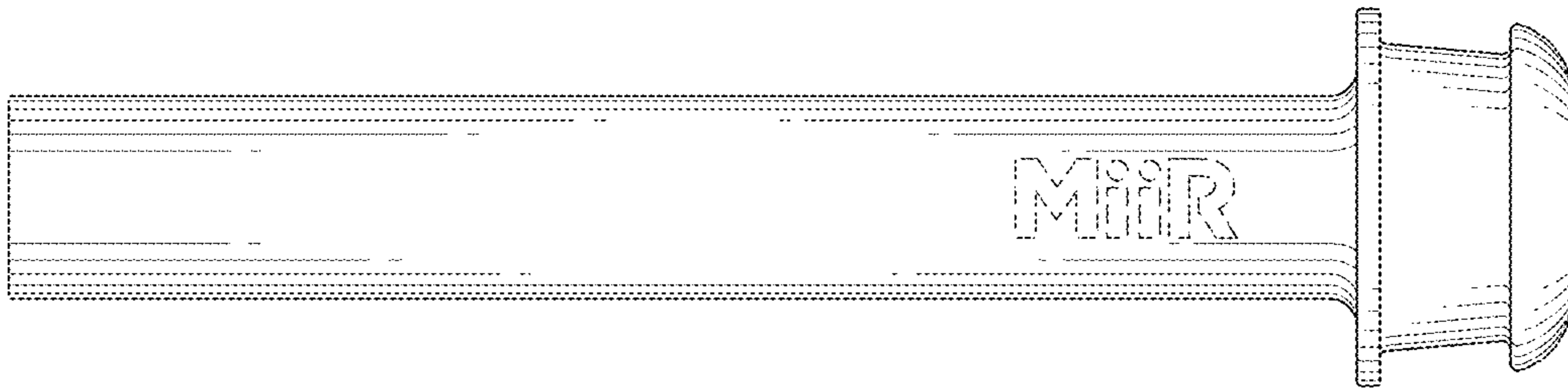


FIG. 9

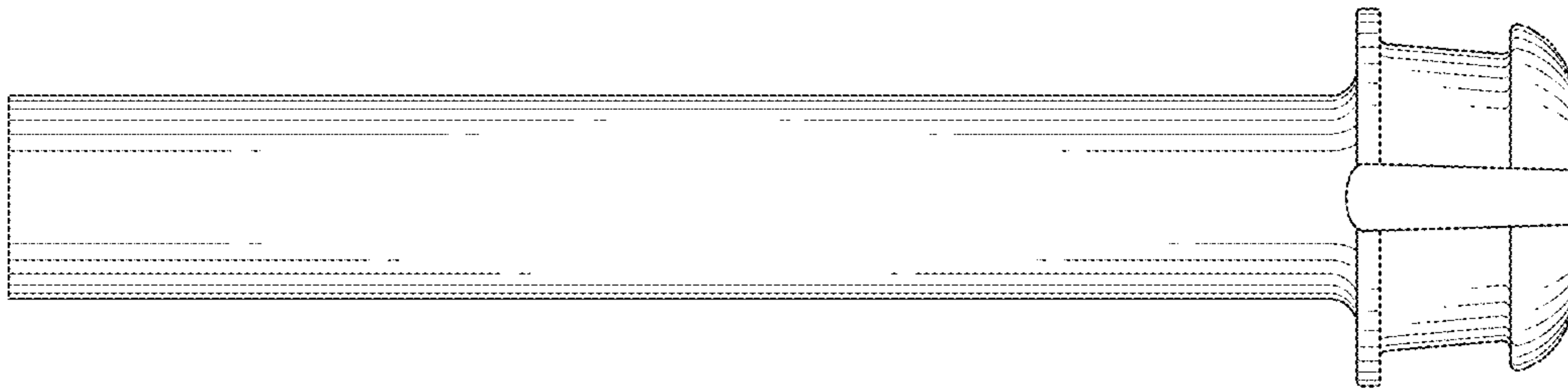


FIG. 8

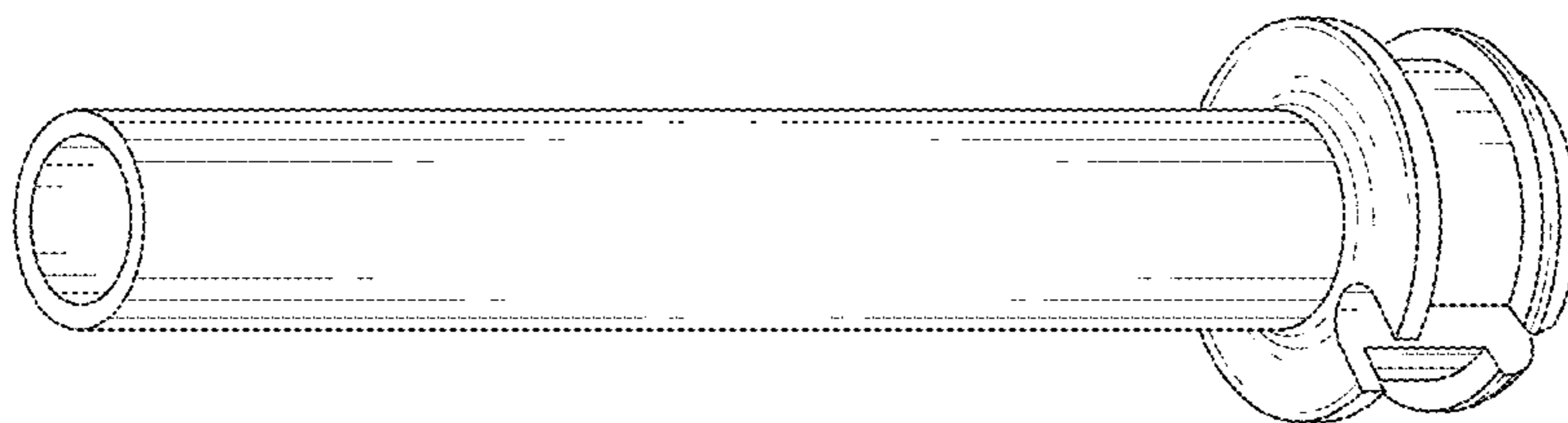


FIG. 13

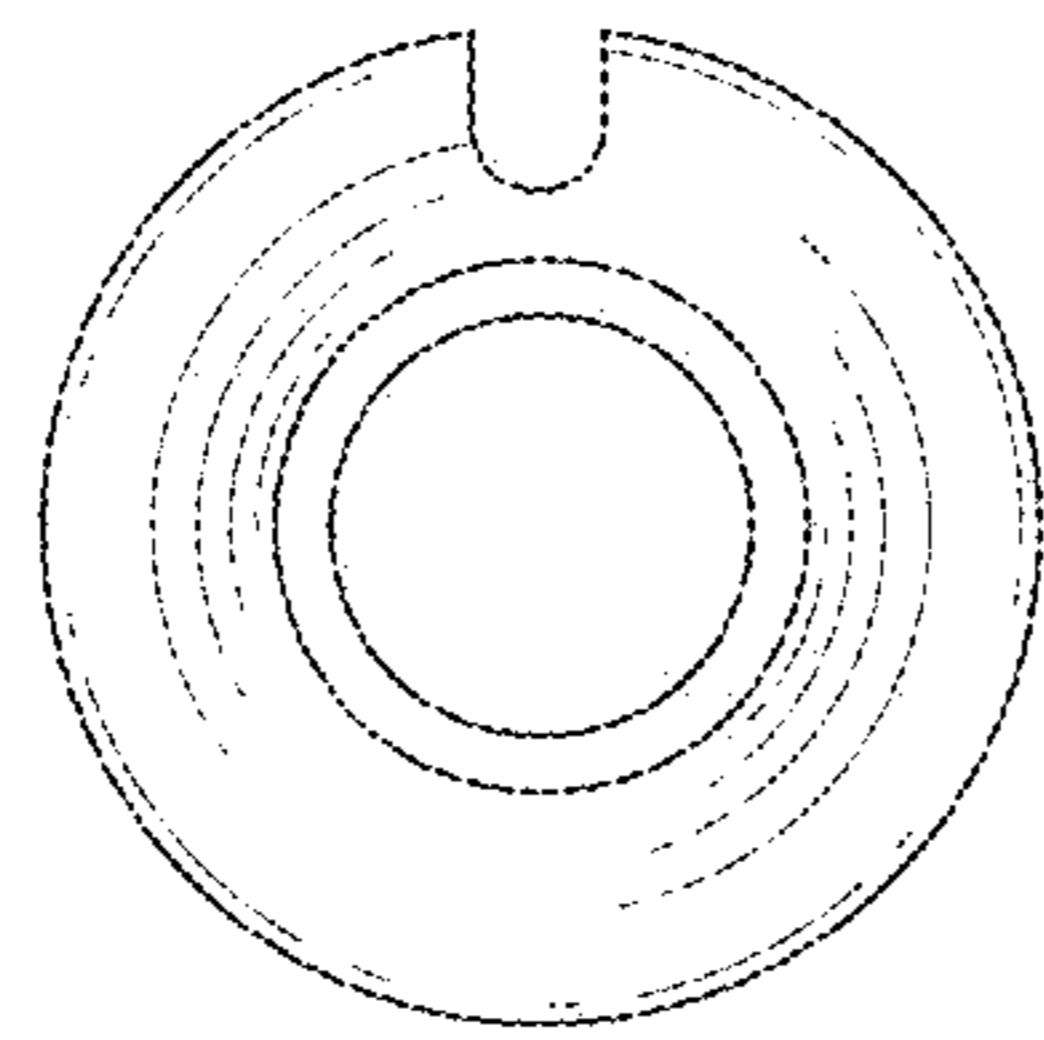


FIG. 14

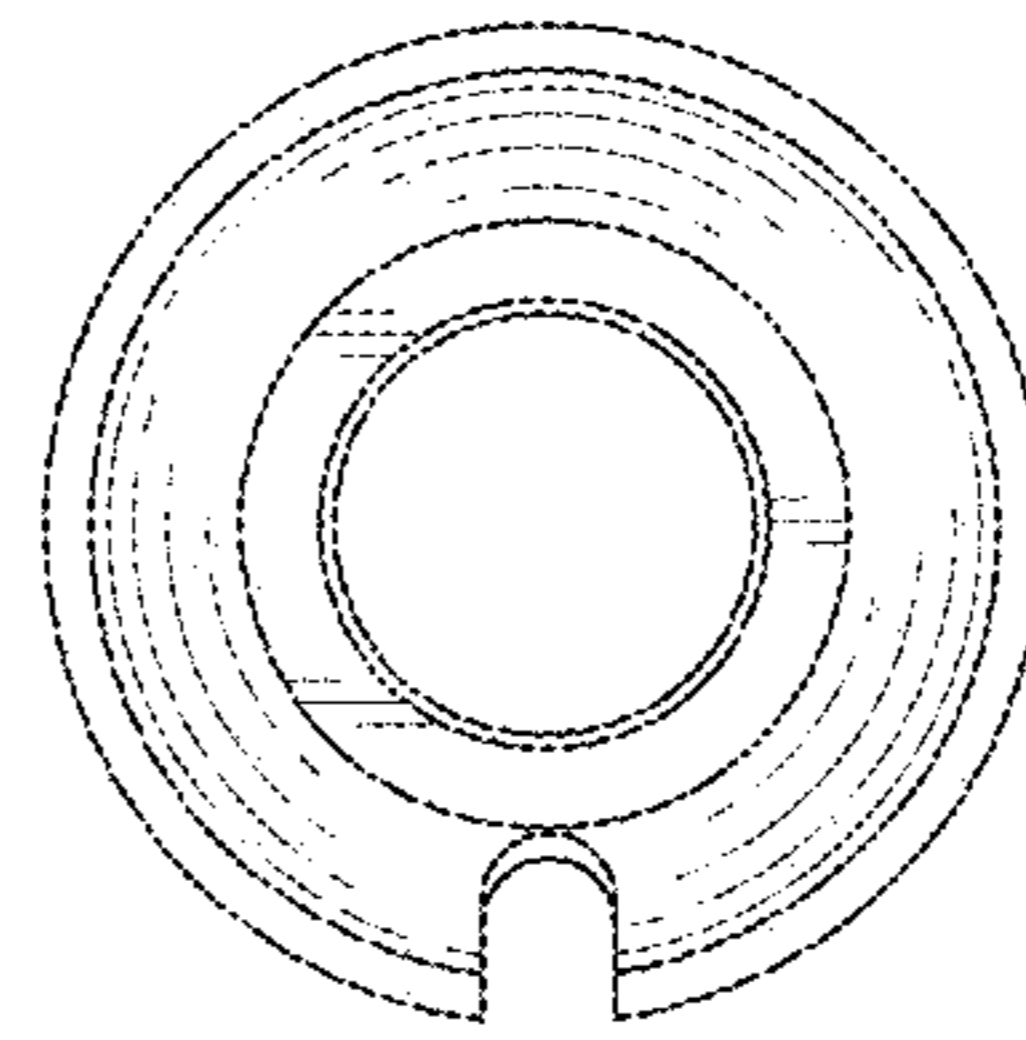


FIG. 15

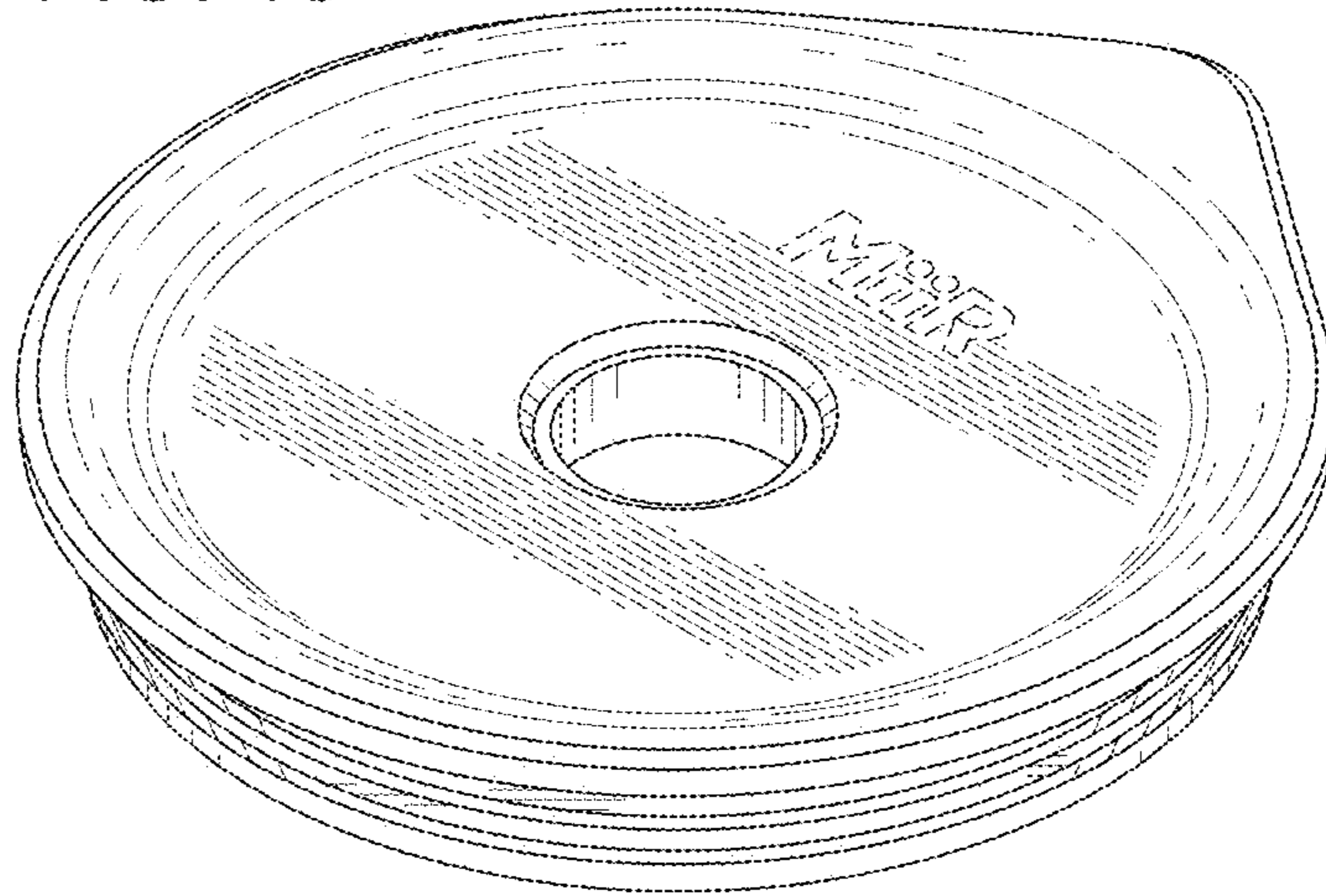


FIG. 16

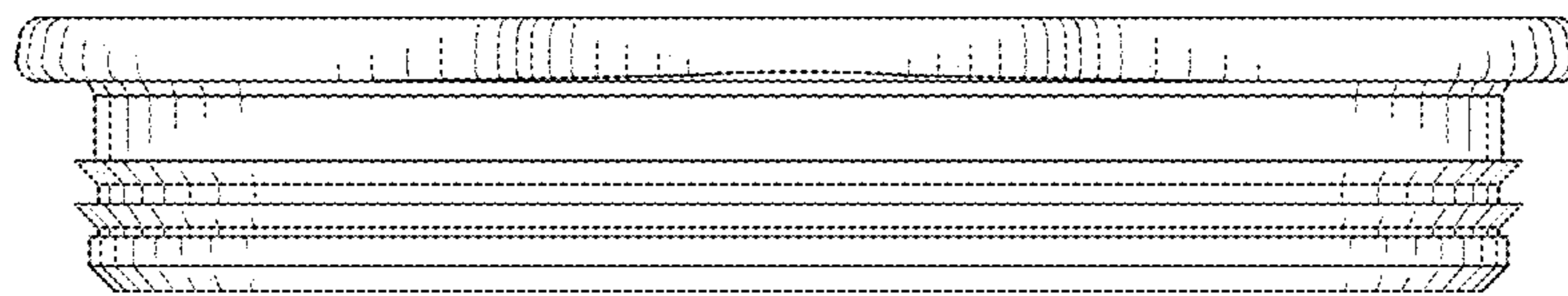


FIG. 17

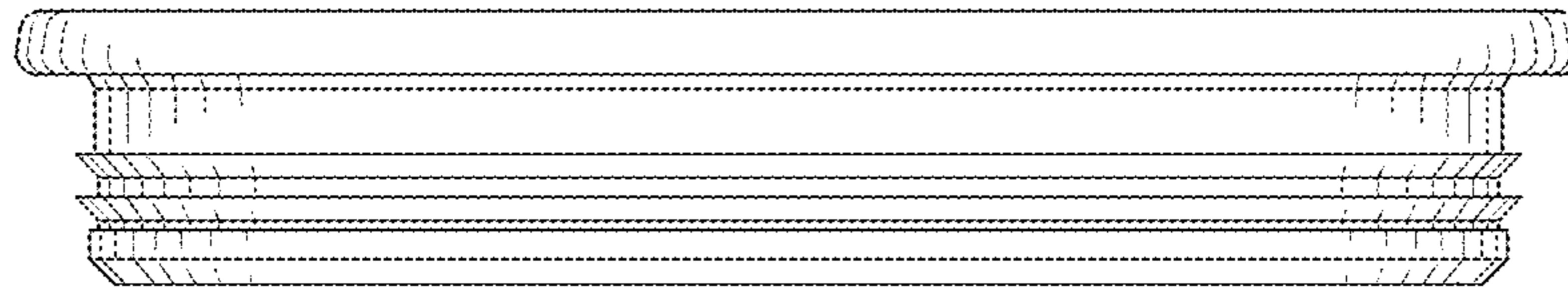


FIG. 18

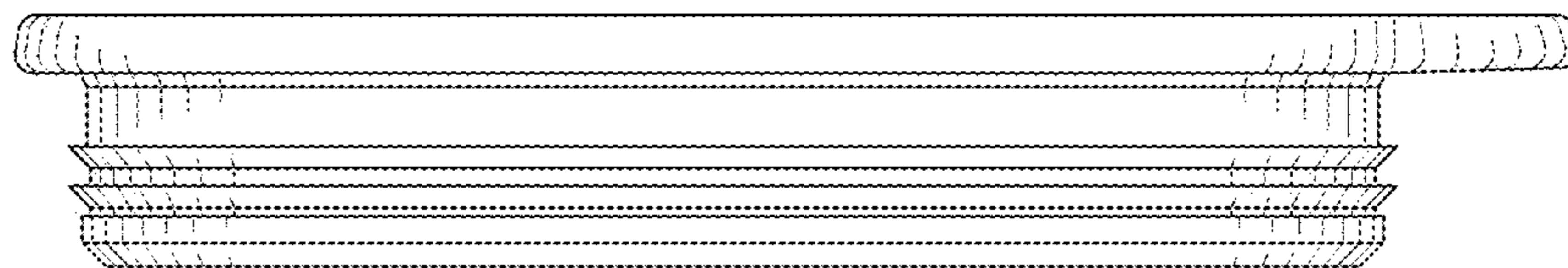


FIG. 19

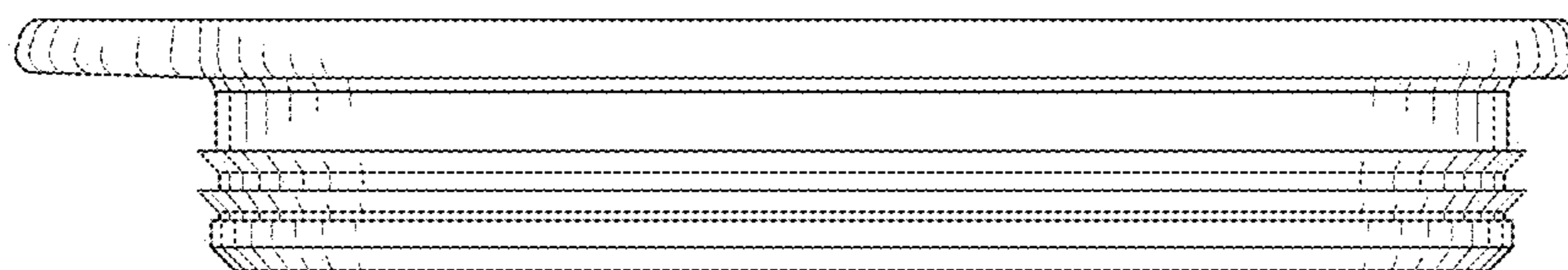


FIG. 20

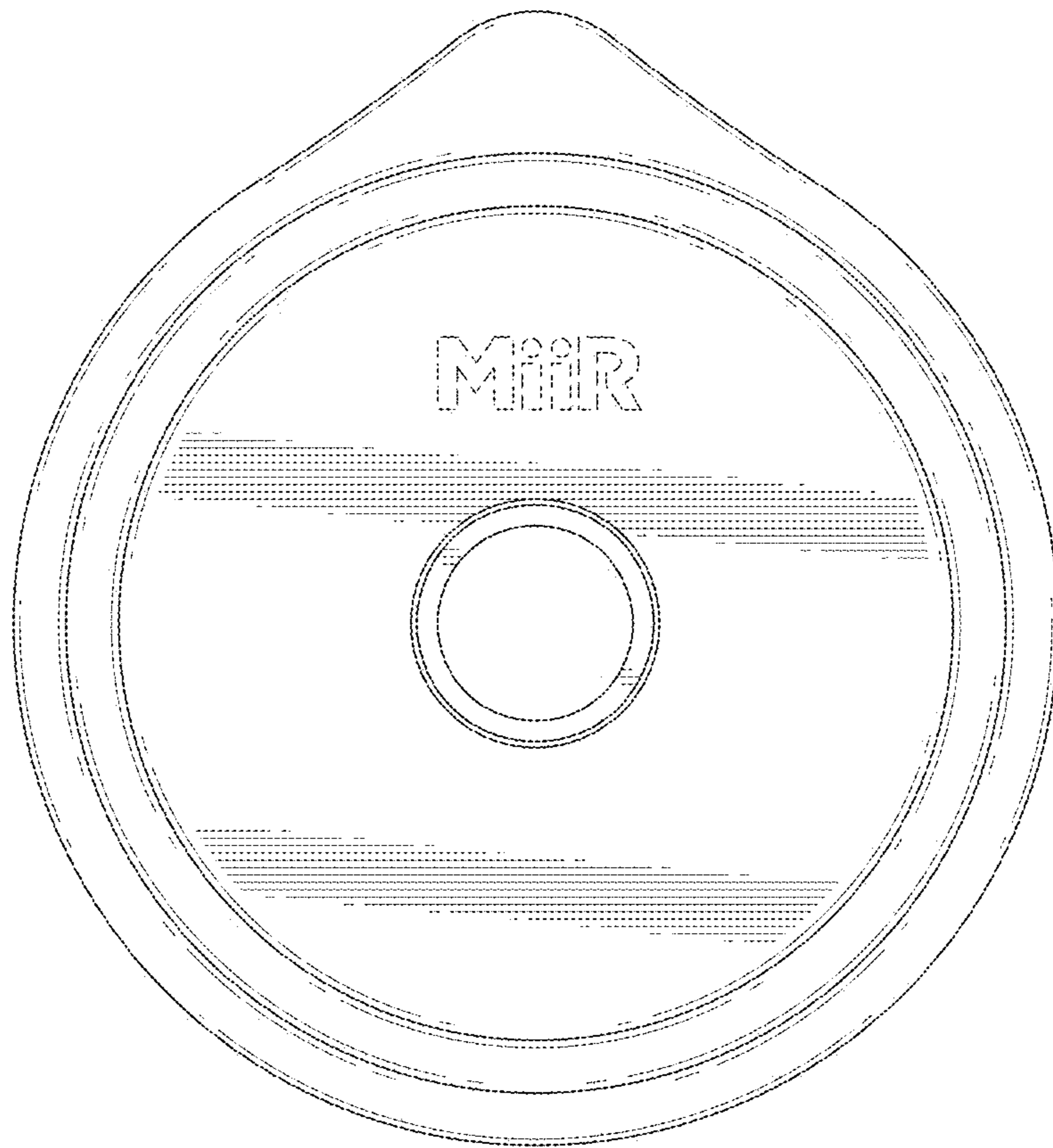


FIG. 21

