



US00D946345S

(12) **United States Design Patent**  
**Yao**

(10) **Patent No.:** **US D946,345 S**

(45) **Date of Patent:** **\*\* Mar. 22, 2022**

(54) **BOTTLE LID**

(71) Applicant: **EVERICH AND TOMIC HOUSEWARES CO., LTD.**, Zhejiang (CN)

(72) Inventor: **Huajun Yao**, Zhejiang (CN)

(73) Assignee: **EVERICH AND TOMIC HOUSEWARES CO., LTD.**, Zhejiang (CN)

(\*\*) Term: **15 Years**

(21) Appl. No.: **29/687,280**

(22) Filed: **Apr. 11, 2019**

(30) **Foreign Application Priority Data**

Oct. 12, 2018 (CN) ..... 201830569083.5

(51) **LOC (13) Cl.** ..... **07-99**

(52) **U.S. Cl.**  
USPC ..... **D7/392.1; D7/392; D7/510**

(58) **Field of Classification Search**  
USPC ..... D3/202; D7/392, 392.1, 509, 510, 534, D7/732; D9/435, 447, 449  
CPC .... A47G 19/2272; A47G 19/22; B65D 43/02; B65D 41/0471; B65D 47/08  
See application file for complete search history.

(56) **References Cited**

**U.S. PATENT DOCUMENTS**

D679,541 S	*	4/2013	Samartgis	.....	D7/392.1
D719,444 S	*	12/2014	Sullivan	.....	D9/447
D719,780 S	*	12/2014	Sullivan	.....	D7/392.1
D752,916 S	*	4/2016	Goodwin	.....	D7/392.1
D777,508 S	*	1/2017	Goodwin	.....	D7/392.1
D792,216 S	*	7/2017	Breit	.....	D9/443
D817,084 S	*	5/2018	Hammer	.....	D7/392.1
D817,085 S	*	5/2018	Davis	.....	D7/392.1
D824,721 S	*	8/2018	Hu	.....	D7/392.1

D828,722 S	*	9/2018	Davis	.....	D7/510
D843,778 S	*	3/2019	Yao	.....	D7/392.1
D844,384 S	*	4/2019	Potter	.....	D7/510
D847,563 S	*	5/2019	Jacobsen	.....	D7/396.2
D858,181 S	*	9/2019	Lown	.....	D7/392.1
D878,149 S	*	3/2020	Omdahl, II	.....	D7/396.2
D889,199 S	*	7/2020	Shepard	.....	D7/396.2
D894,669 S	*	9/2020	Lane	.....	D7/392
D895,352 S	*	9/2020	Yao	.....	D7/392.1
D900,536 S	*	11/2020	Yao	.....	D7/392.1
D903,404 S	*	12/2020	Bram	.....	D7/392.1
D913,034 S	*	3/2021	Cornelius	.....	D7/392.1
D920,739 S	*	6/2021	Omdahl, II	.....	D7/392.1

(Continued)

**OTHER PUBLICATIONS**

Alibaba.com website, 2021 new design wide mouth bottle eco friendly, Publication date unknown, [site visited Oct. 23, 2021], Available on the Internet URL: [https://tftmk5.en.alibaba.com/product/1600223651754-817970507/2021\\_new\\_design\\_wide\\_mouth\\_bottle\\_eco\\_friendly\\_stainless\\_steel\\_water\\_bottle.html](https://tftmk5.en.alibaba.com/product/1600223651754-817970507/2021_new_design_wide_mouth_bottle_eco_friendly_stainless_steel_water_bottle.html) (Year: 2021).\*

*Primary Examiner* — S. Bryan Reinholdt, Jr.  
(74) *Attorney, Agent, or Firm* — Global IP Services; Tianhua Gu

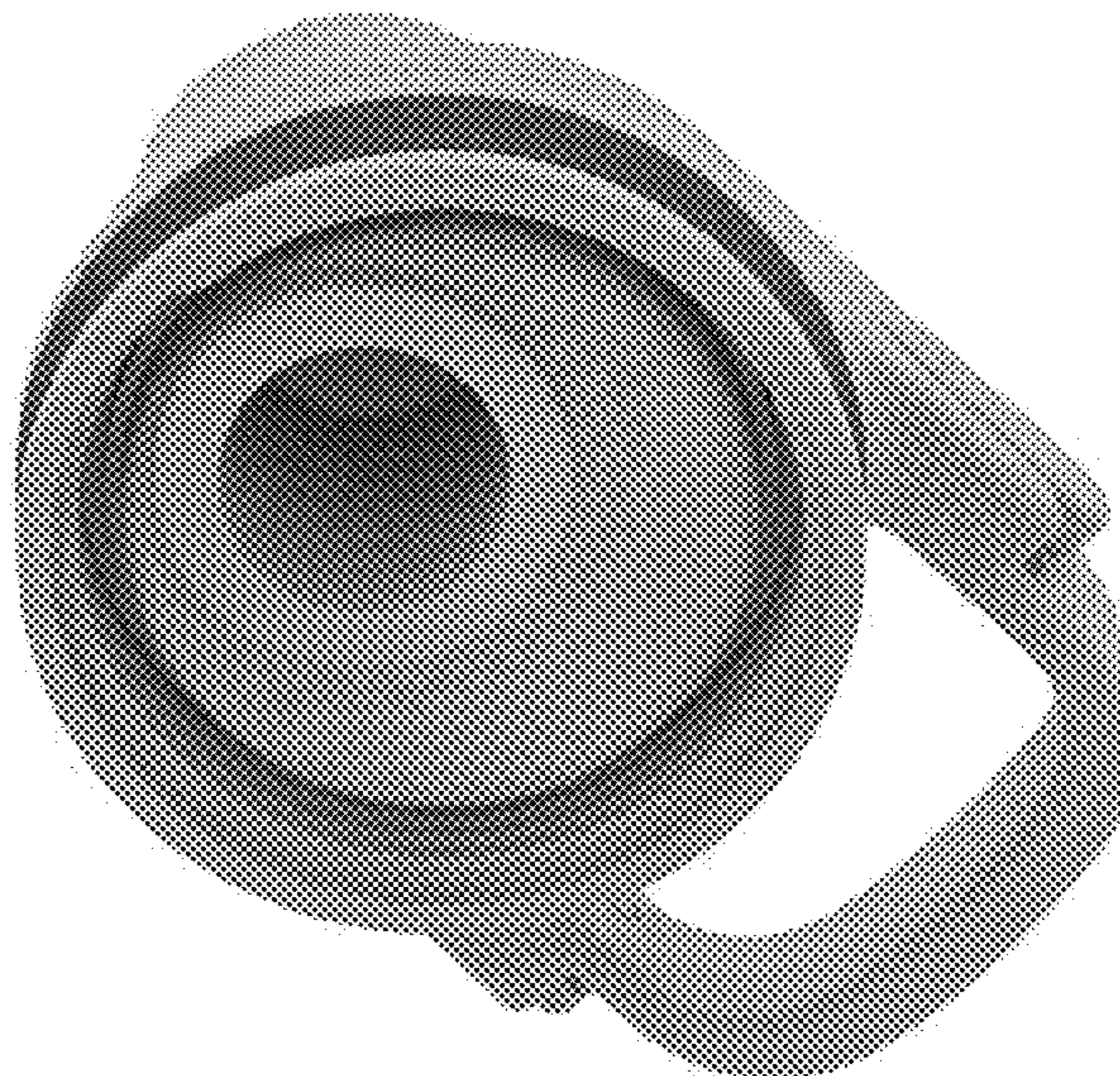
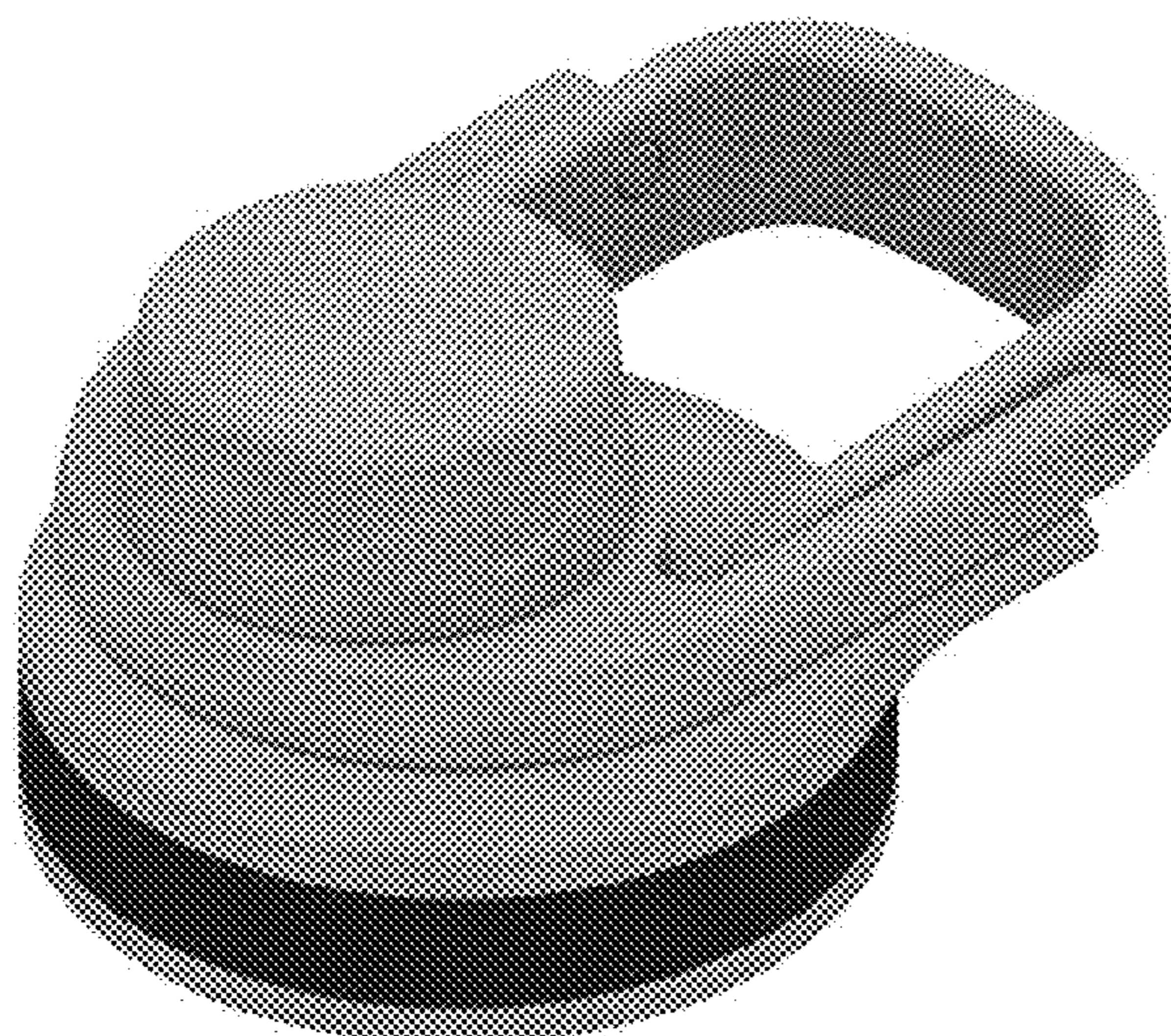
(57) **CLAIM**

The ornamental design for a bottle lid, as shown and described.

**DESCRIPTION**

FIG. 1 is a front elevational view of a bottle lid, showing my new design;  
FIG. 2 is a rear elevational view thereof;  
FIG. 3 is a left side elevational view thereof;  
FIG. 4 is a right side elevational view thereof;  
FIG. 5 is a top plan view thereof;  
FIG. 6 is a bottom plan view thereof;  
FIG. 7 is a top perspective view thereof; and,  
FIG. 8 is a bottom perspective view thereof.

**1 Claim, 8 Drawing Sheets**



(56)

**References Cited**

U.S. PATENT DOCUMENTS

D928,557 S \* 8/2021 Spivey ..... D7/392.1  
2021/0061523 A1\* 3/2021 Bytheway ..... F16B 35/047

\* cited by examiner

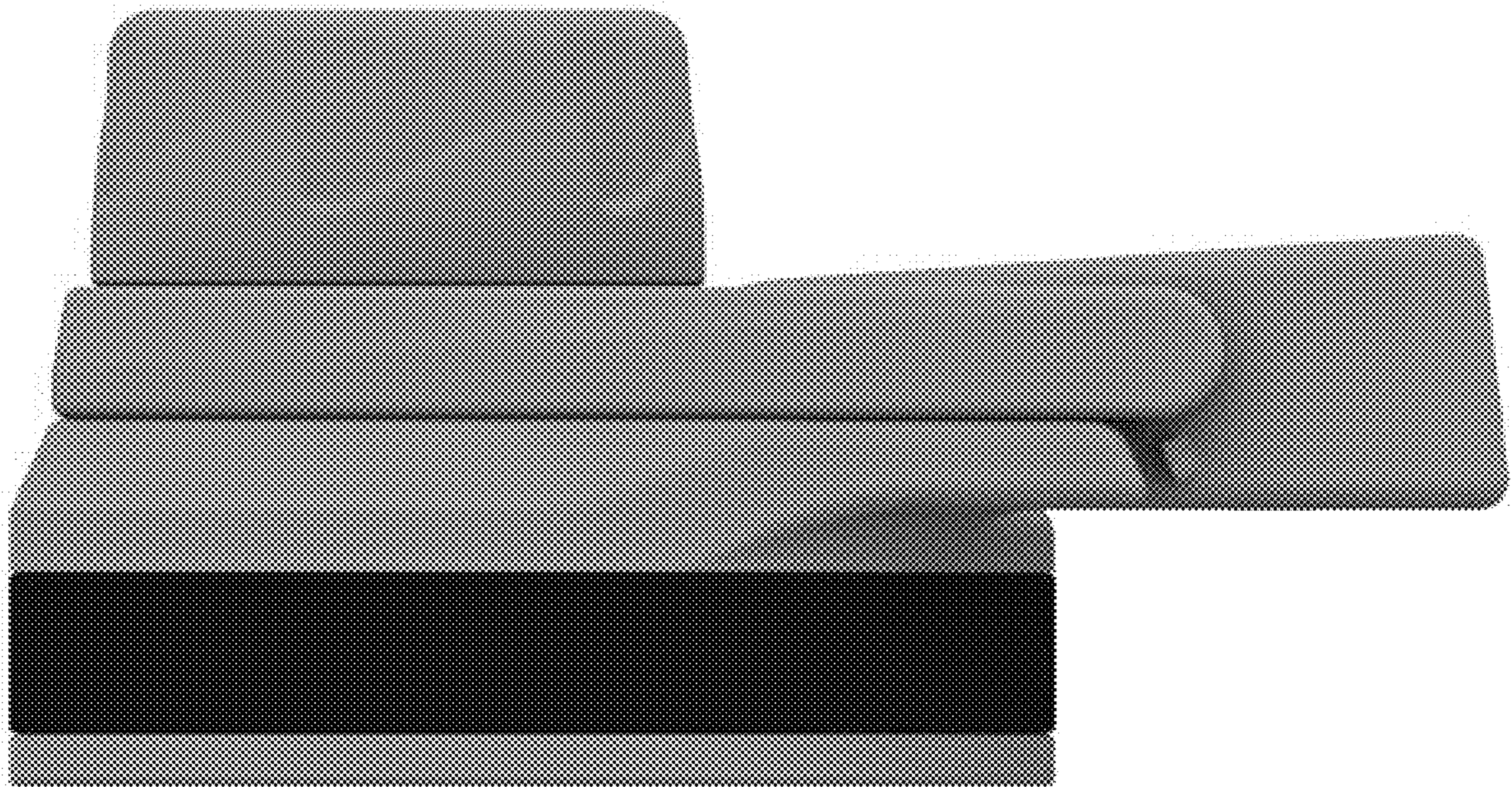


FIG. 1

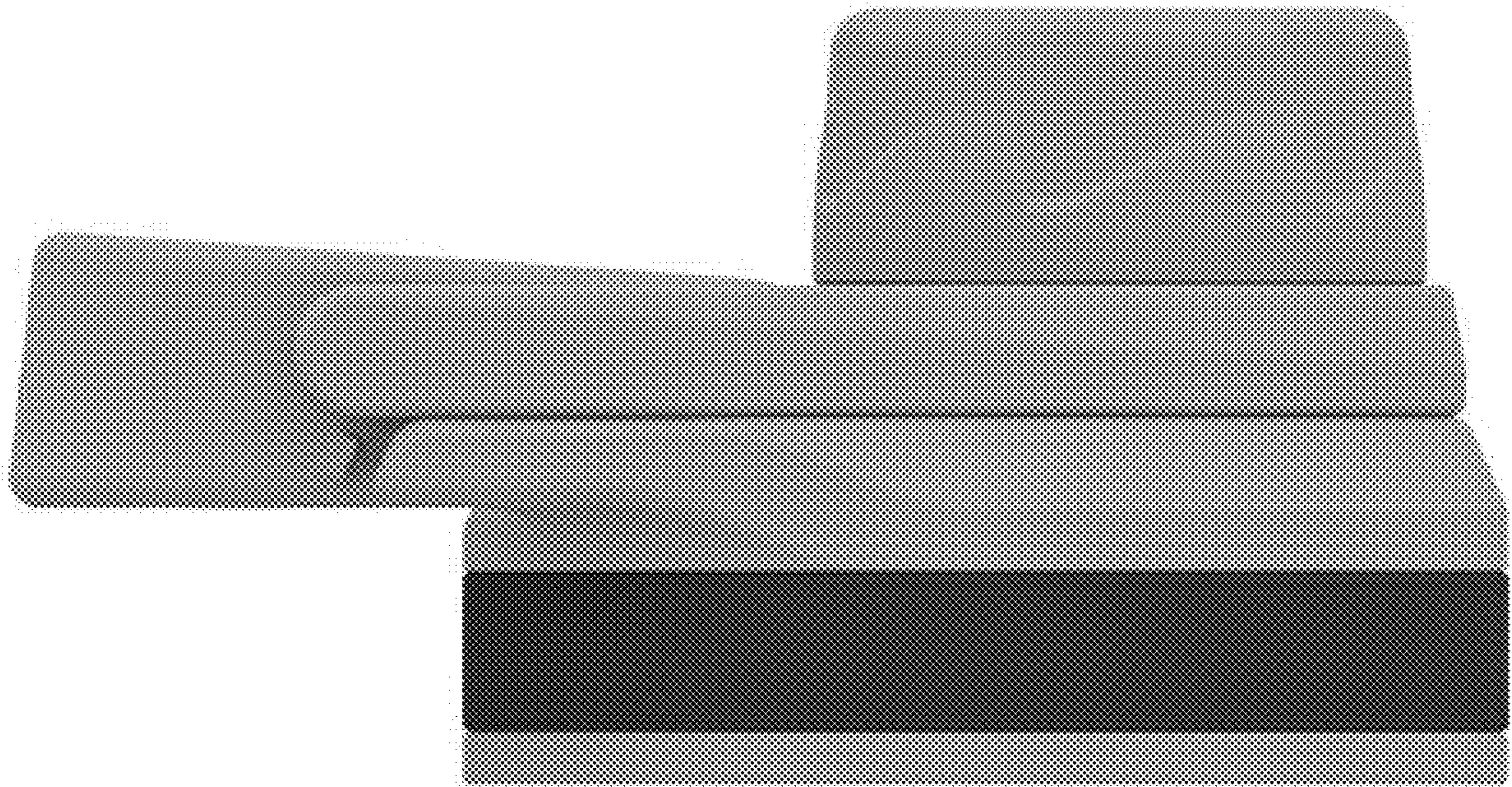


FIG. 2

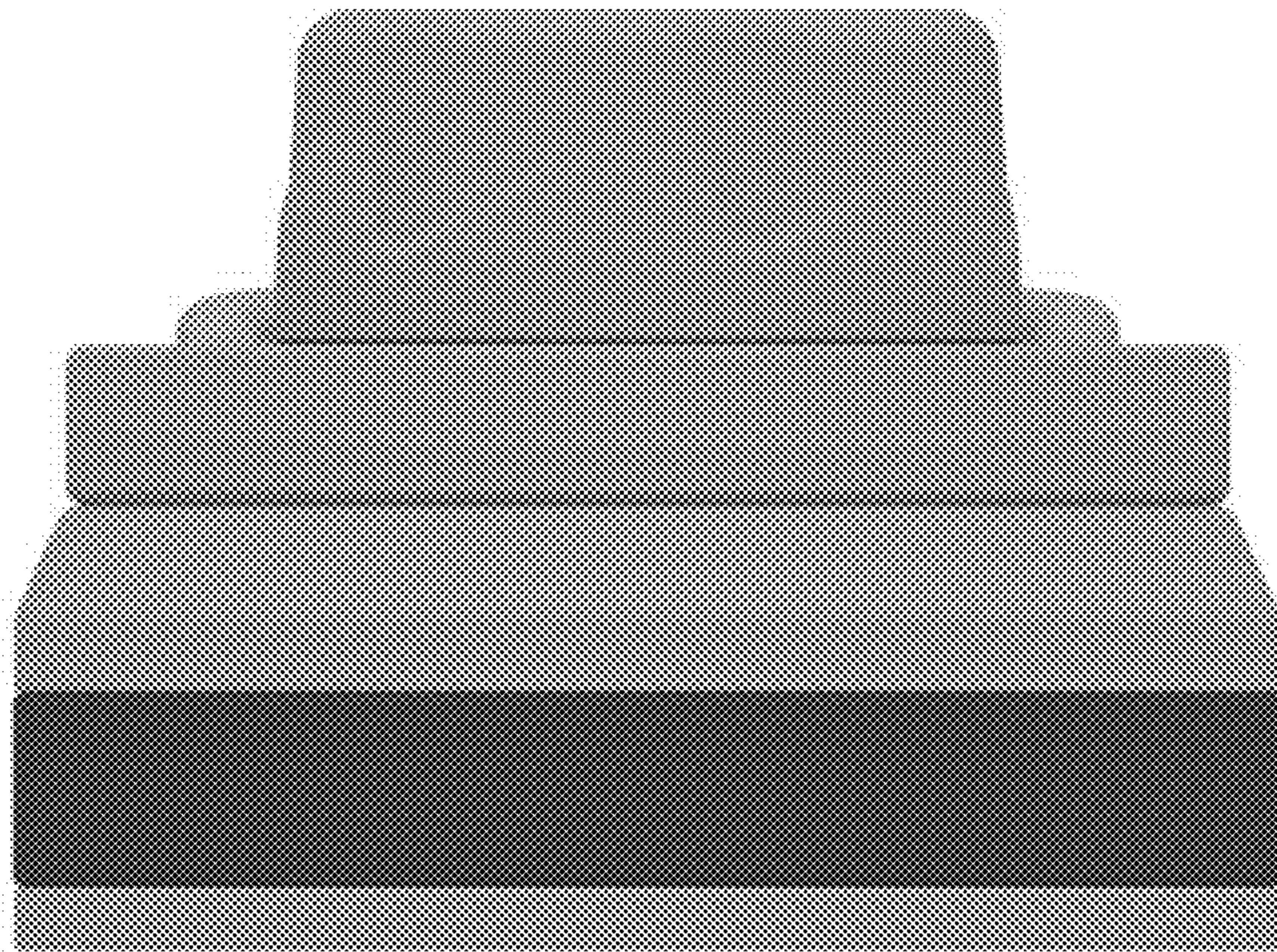


FIG. 3

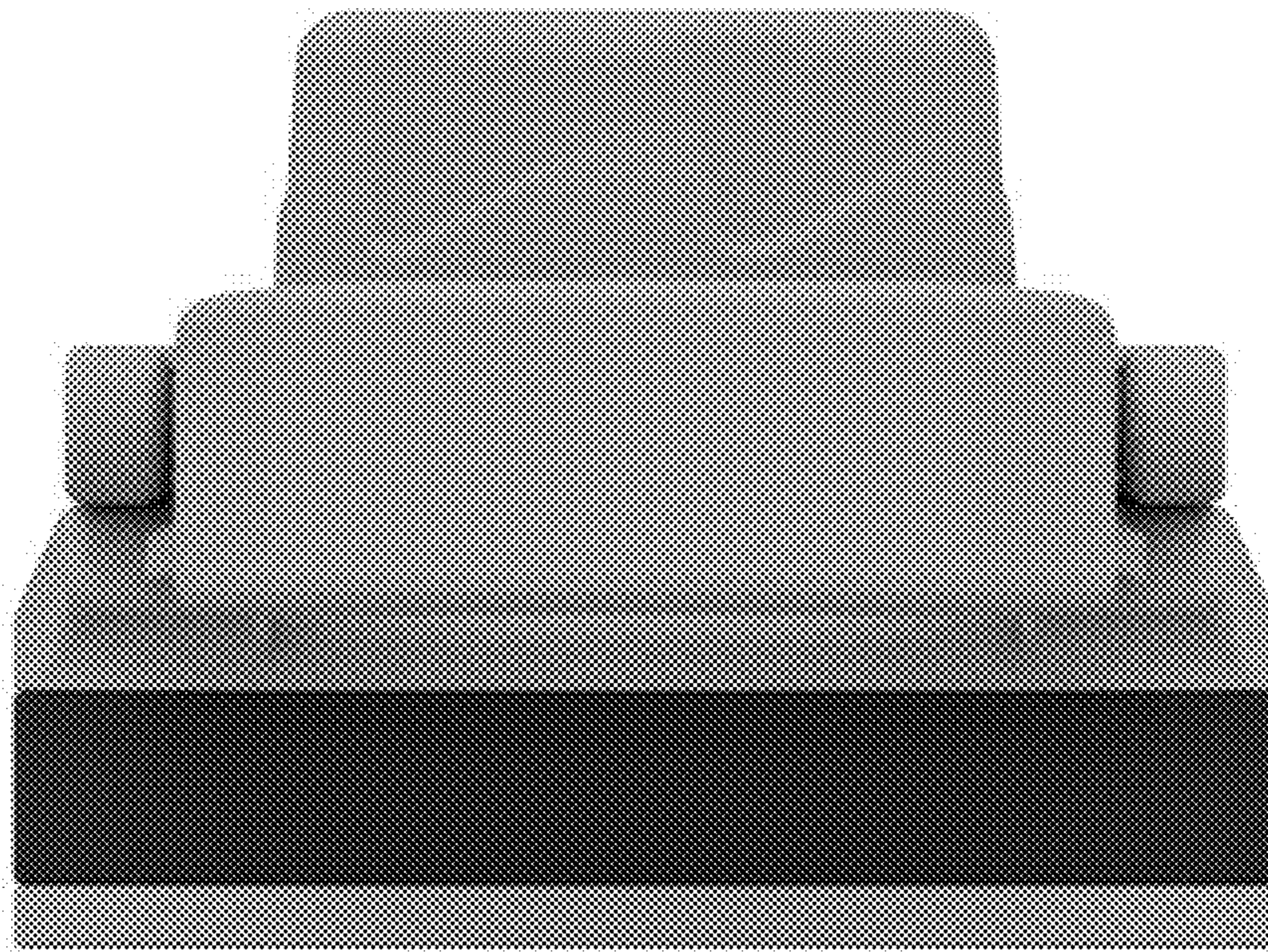


FIG. 4

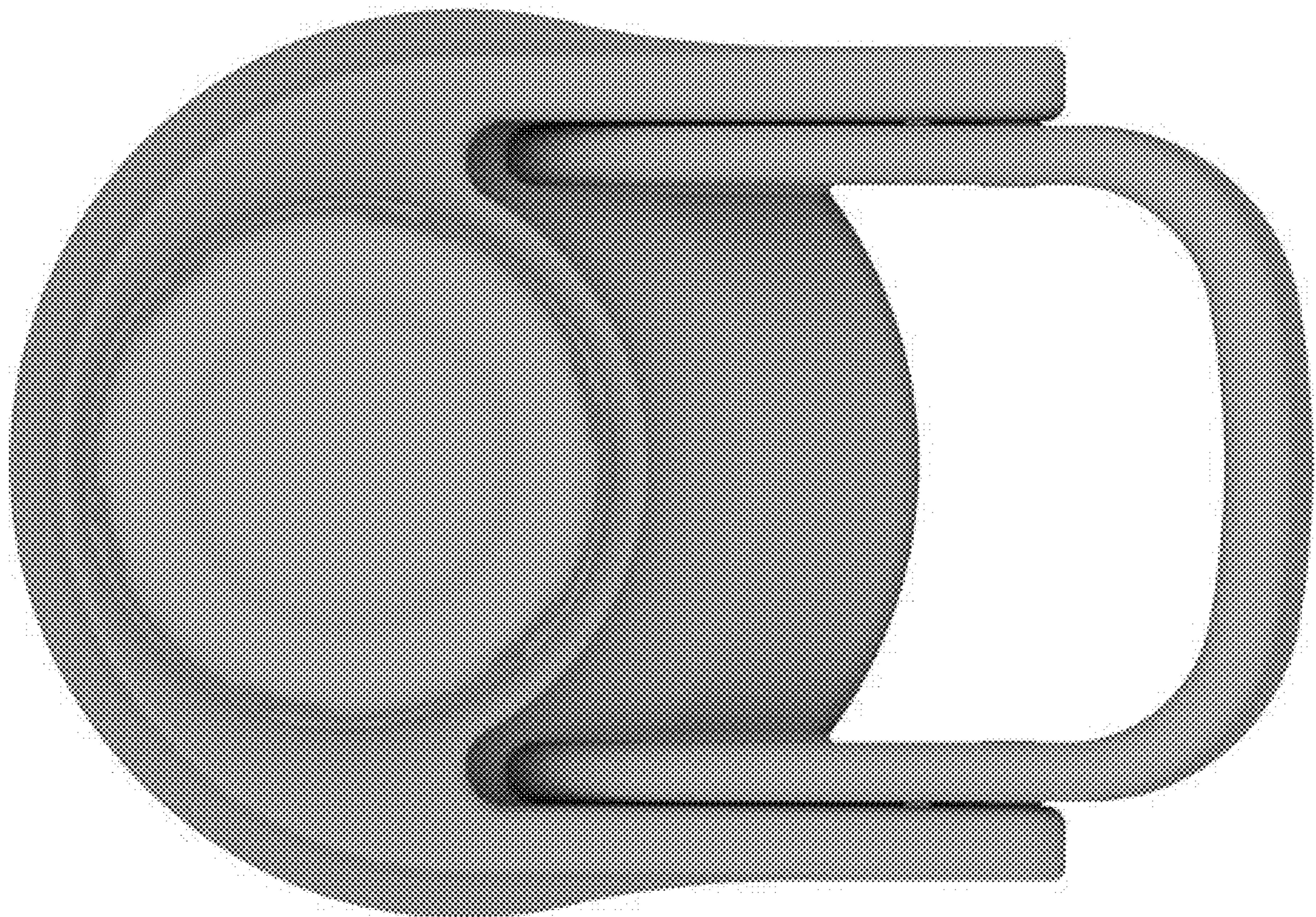


FIG. 5

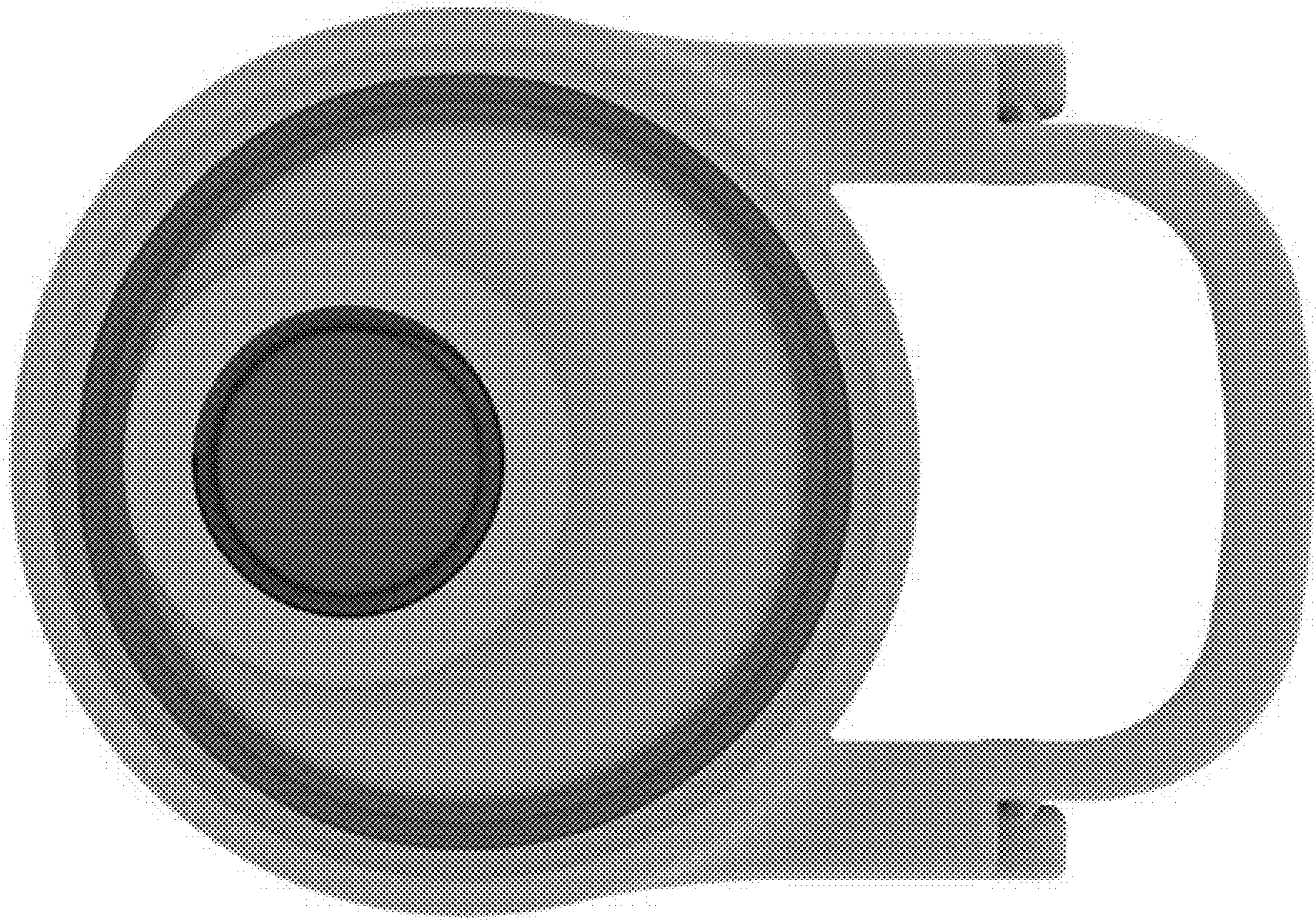


FIG. 6





FIG. 7



FIG. 8