

US00D946342S

(12) **United States Design Patent**
Choi et al.

(10) **Patent No.: US D946,342 S**
(45) **Date of Patent: ** *Mar. 22, 2022**

(54) **COFFEE MAKER**

FOREIGN PATENT DOCUMENTS

(71) Applicant: **Samsung Electronics Co., Ltd.**,
Suwon-si (KR)

CN 301732630 * 11/2011
CN 302515935 * 7/2013

(Continued)

(72) Inventors: **Hwanwoong Choi**, Suwon-si (KR);
Gerhardt Kellermann, Munich (DE);
Ana Relvao, Munich (DE); **Hyunsoo**
Kim, Suwon-si (KR); **Gisung Han**,
Suwon-si (KR); **Bokyeong Lee**,
Suwon-si (KR)

OTHER PUBLICATIONS

Stefan, "Top 5 Built-In Coffee Machines That Makes Your Life Easier," Sep. 14, 2010, Homedit, www.homedit.com/top-5-built-in-coffee-machines-that-makes-your-life-easier/ (Year: 2010).*

(Continued)

(73) Assignee: **Samsung Electronics Co., Ltd.**,
Suwon-si (KR)

Primary Examiner — Shannon W Morgan

Assistant Examiner — Arva P Adams

(*) Notice: This patent is subject to a terminal disclaimer.

(74) *Attorney, Agent, or Firm* — NSIP Law

(**) Term: **15 Years**

(57) **CLAIM**

(21) Appl. No.: **29/698,448**

We claim the ornamental design for a coffee maker, as shown and described.

(22) Filed: **Jul. 17, 2019**

DESCRIPTION

(30) **Foreign Application Priority Data**

Jan. 17, 2019 (KR) 30-2019-0002641

(51) **LOC (13) Cl.** **07-02**

(52) **U.S. Cl.**
USPC **D7/347; D7/309; D7/311**

(58) **Field of Classification Search**
USPC D7/300, 305-313, 348, 349, 350.1,
D7/397-399, 405, 665, 347; D10/49,
(Continued)

FIG. 1 is a front perspective view of a coffee maker showing our new design;

FIG. 2 is a front view thereof;

FIG. 3 is a rear view thereof;

FIG. 4 is a left-side view thereof;

FIG. 5 is a right-side view thereof;

FIG. 6 is a top view thereof;

FIG. 7 is a bottom view thereof; and,

FIG. 8 is an enlarged view of the encircled portion in FIG. 1.

The broken lines in the figures depict portions of the coffee maker which form no part of the claimed design.

The dot-dash broken lines encircling portions of the claimed design that are illustrated in enlargements form no part of the claimed design.

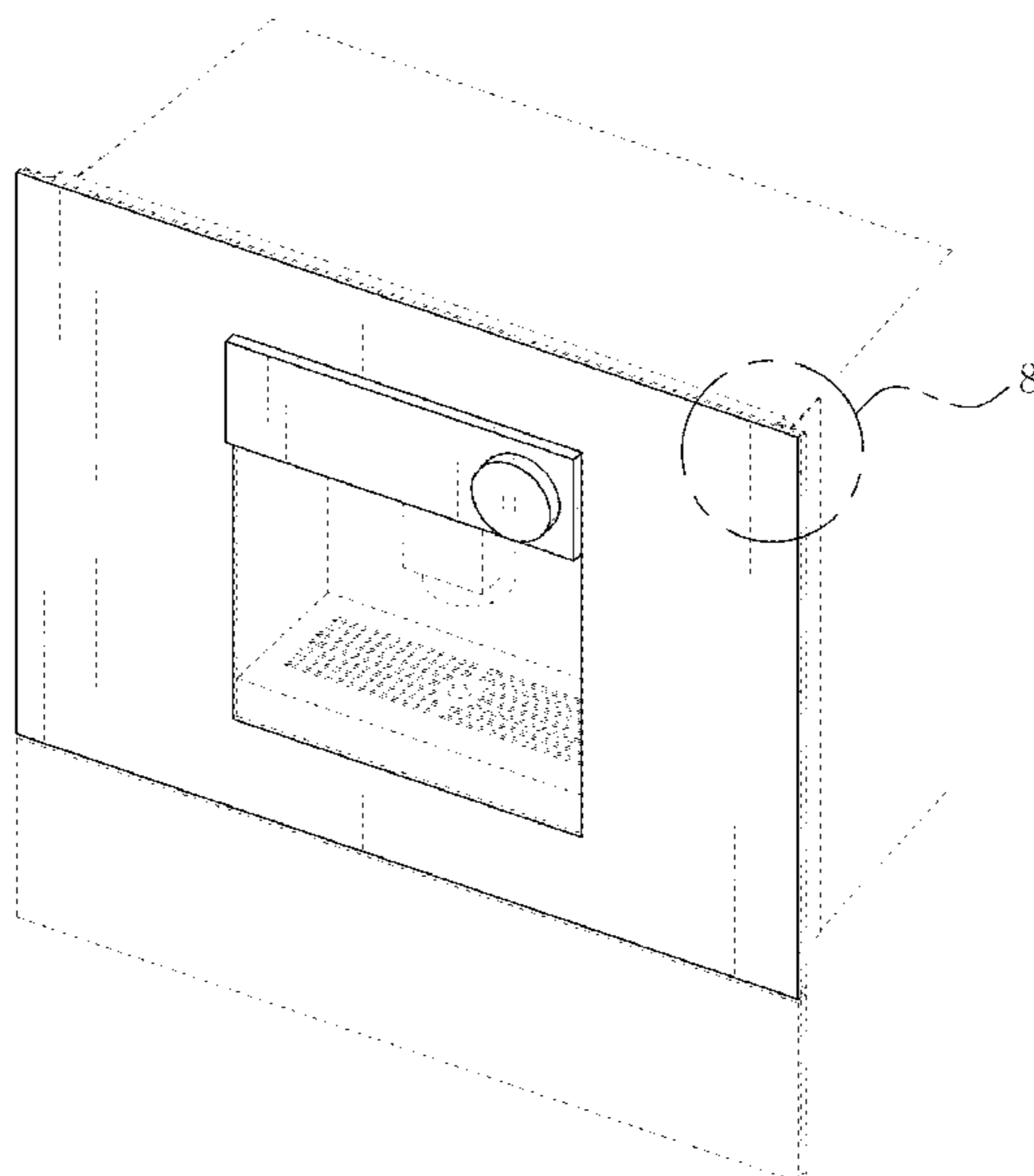
(56) **References Cited**

U.S. PATENT DOCUMENTS

D173,817 S * 1/1955 Pavlak D7/349
D248,008 S * 5/1978 Wojtowicz D7/351

(Continued)

1 Claim, 8 Drawing Sheets



(58) **Field of Classification Search**

USPC D10/106.1, 106.95; D13/158, 162, 163,
D13/171, 177; D15/82; D23/207
CPC A47J 19/00; A47J 19/02; A47J 19/023;
A47J 19/027; A47J 19/06; A47J 19/50;
A47J 31/00; A47J 31/005; A47J 31/0576;
A47J 31/0657; A47J 31/0668; A47J
31/10; A47J 31/24; A47J 31/3633; A47J
31/40; A47J 31/44; A47J 31/4403; A47J
31/4485; A47J 31/46; A47J 31/467; B01D
35/02; B67D 1/0022; B67D 1/0023;
B67D 1/0024; B67D 1/0041; B67D
1/0085; B67D 1/0089; B67D 1/07; B67D
1/16; B67D 2001/0087; B67D 2001/0091;
B67D 3/00; C02F 1/003; C02F 2209/445;
C12G 3/06; F24C 15/028

See application file for complete search history.

(56) **References Cited**

U.S. PATENT DOCUMENTS

D526,527 S * 8/2006 Jung D7/348
D540,104 S * 4/2007 Jeon D7/350.1
D541,578 S * 5/2007 Jeon D7/350.1
D618,488 S * 6/2010 Knochner F24C 15/006
D7/350.1
D654,299 S * 2/2012 Benold D7/350.1
D668,107 S * 10/2012 Borjesson D7/405
D675,472 S * 2/2013 Strayle D7/309
D682,602 S * 5/2013 Funnell, II D7/340
D690,994 S * 10/2013 Baek D7/405
D706,567 S * 6/2014 Strayle D7/309
D728,300 S * 5/2015 Borjesson D7/349
D738,672 S * 9/2015 Baacke D7/348
D750,414 S * 3/2016 Funnell, II D7/348
D770,839 S * 11/2016 Shoemaker D7/349
D781,636 S * 3/2017 Kim D7/348
D784,065 S * 4/2017 Goss D7/349
D805,831 S * 12/2017 Sadtler A47B 81/00
D7/309
D805,833 S * 12/2017 Baacke D7/348
D828,090 S * 9/2018 Kim D7/405
D836,965 S * 1/2019 Goss D7/347

D907,425 S * 1/2021 Choi D7/349
2009/0032010 A1 * 2/2009 Hoffmeier F24C 15/006
126/198
2014/0070685 A1 * 3/2014 Yantis A47B 81/00
312/319.2
2018/0003395 A1 * 1/2018 Reinhard-Herrscher
E05B 17/10

FOREIGN PATENT DOCUMENTS

CN 303351127 * 8/2015
CN 303390010 * 9/2015
CN 303497040 * 12/2015
CN 201730211793 12/2017
CN 201730211821 12/2017
CN 304709281 * 7/2018
CN 304709283 * 7/2018
CN 305641973 * 3/2020
EM 000177183-0001 * 8/2004
EM 000586813-0003 10/2006
EM 001341473-0003 9/2012
EM 002176081-0002 * 2/2014
EM 002529370-0036 11/2014
RU 00068842 * 1/2009
RU 00110279 * 8/2018
WO WO-D042803-003 * 4/1998
WO WO-D100095-003 * 7/2018

OTHER PUBLICATIONS

Avenell, Patrick, "Super Six! The Best Built-In Coffee Machines for 2015," Apr. 1, 2015, Appliance Retailer, www.applianceretailer.com.au/super-six-the-best-built-in-coffee-machines-for-2015/#.YU0TvMpKiUk (Year: 2015).*

Nexstar Media Inc., "Not just any cup of Joe—Bosch built-in coffee maker," Aug. 15, 2017, Nextstar Media Inc., www.khon2.com/living-808/not-just-any-cup-of-joe-bosch-built-in-coffee-maker/ (Year: 2017).*

La Cuisine International, "Smeg CMSCU451S 24" Linea Buildt-In Coffee Machine," May 27, 2017, Amazon.com, www.amazon.com/dp/B07DCXL1CS (Year: 2017).*

Bosch, "Bosch BCM8450UC 24 Inch Wide Built-In Automatic Coffee Machine with Home Connect," Sep. 13, 2018, Amazon.com, www.amazon.com/dp/B077H6JT9P (Year: 2018).*

* cited by examiner

FIG. 1

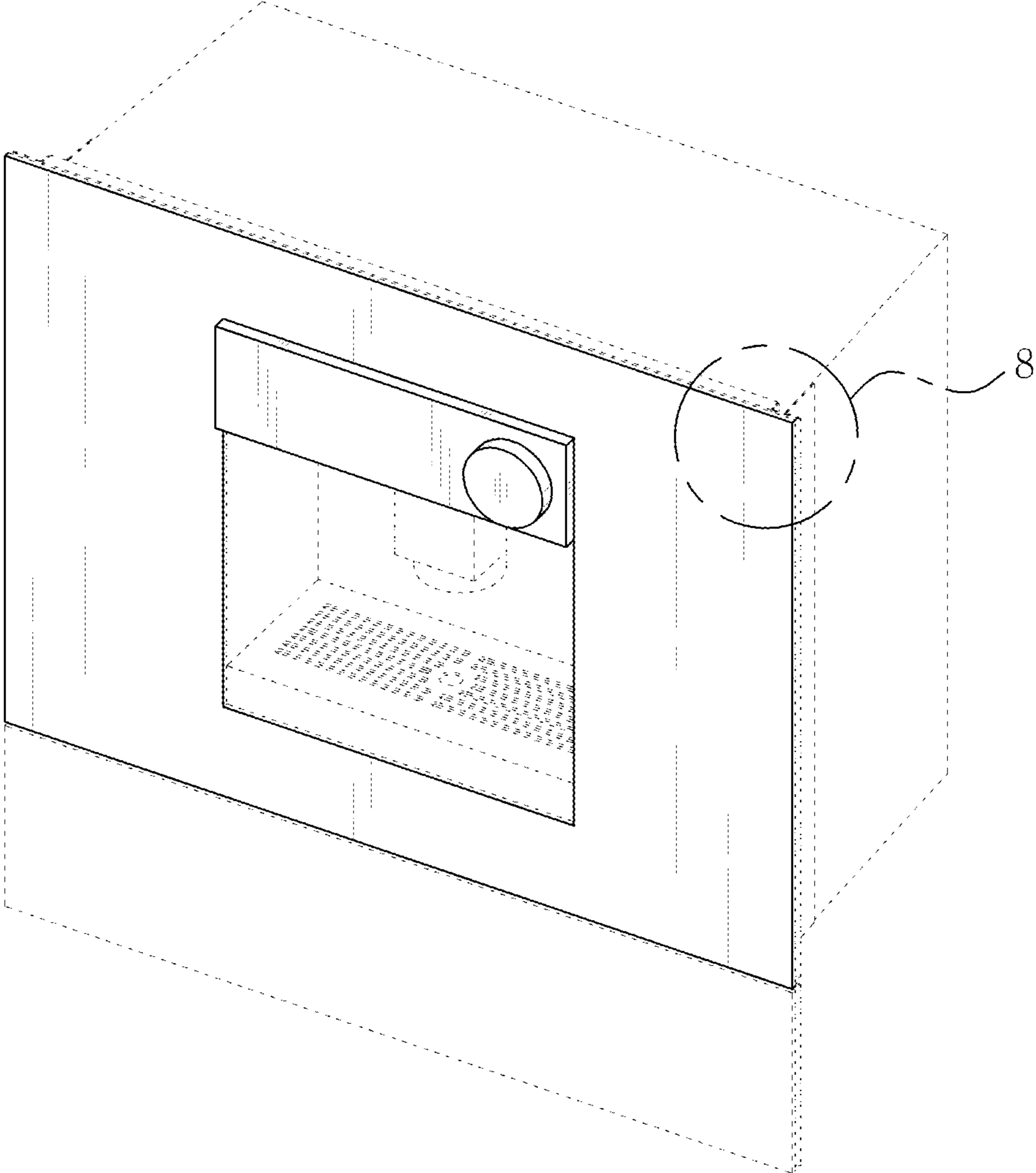


FIG. 2

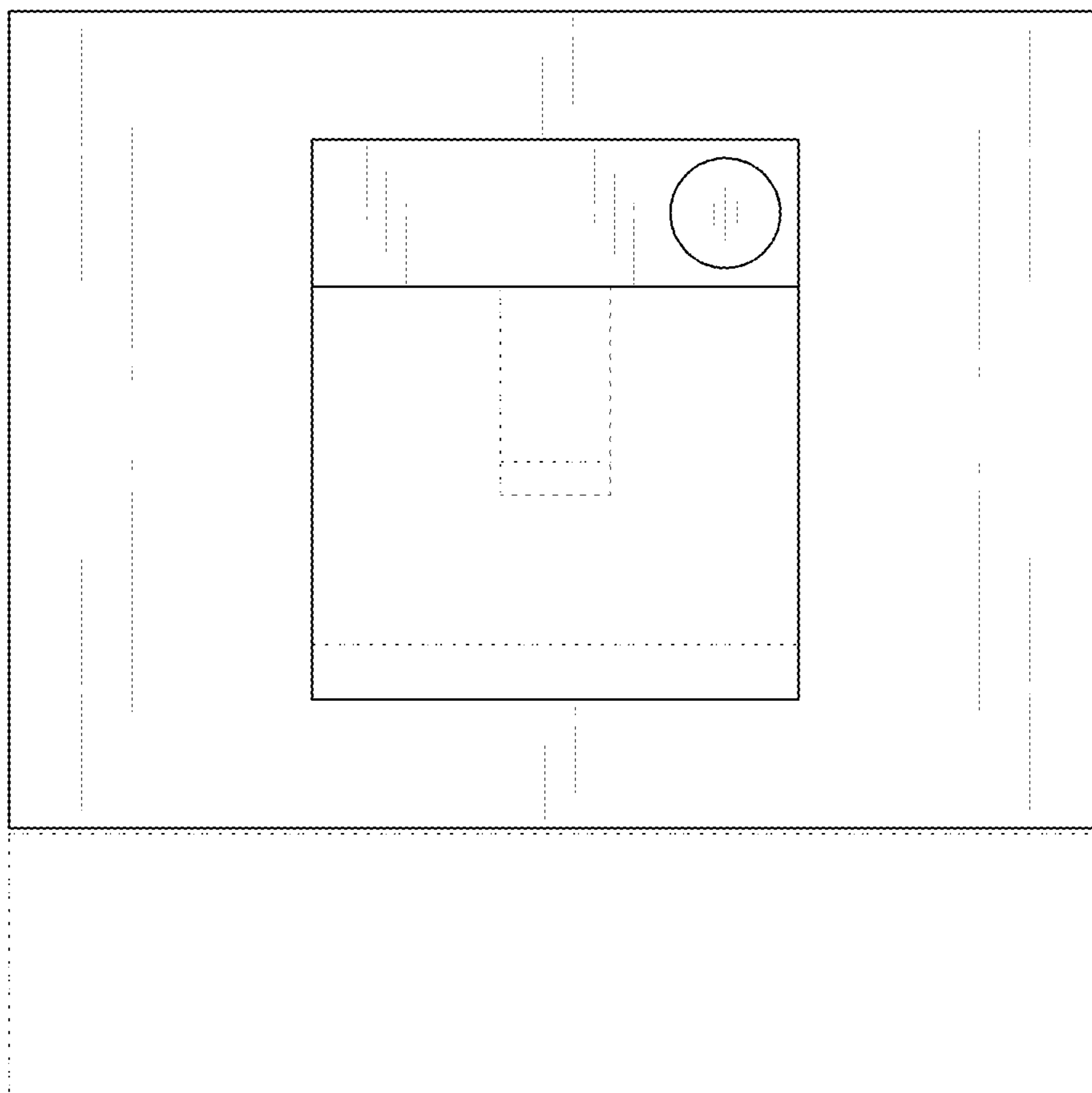


FIG. 3

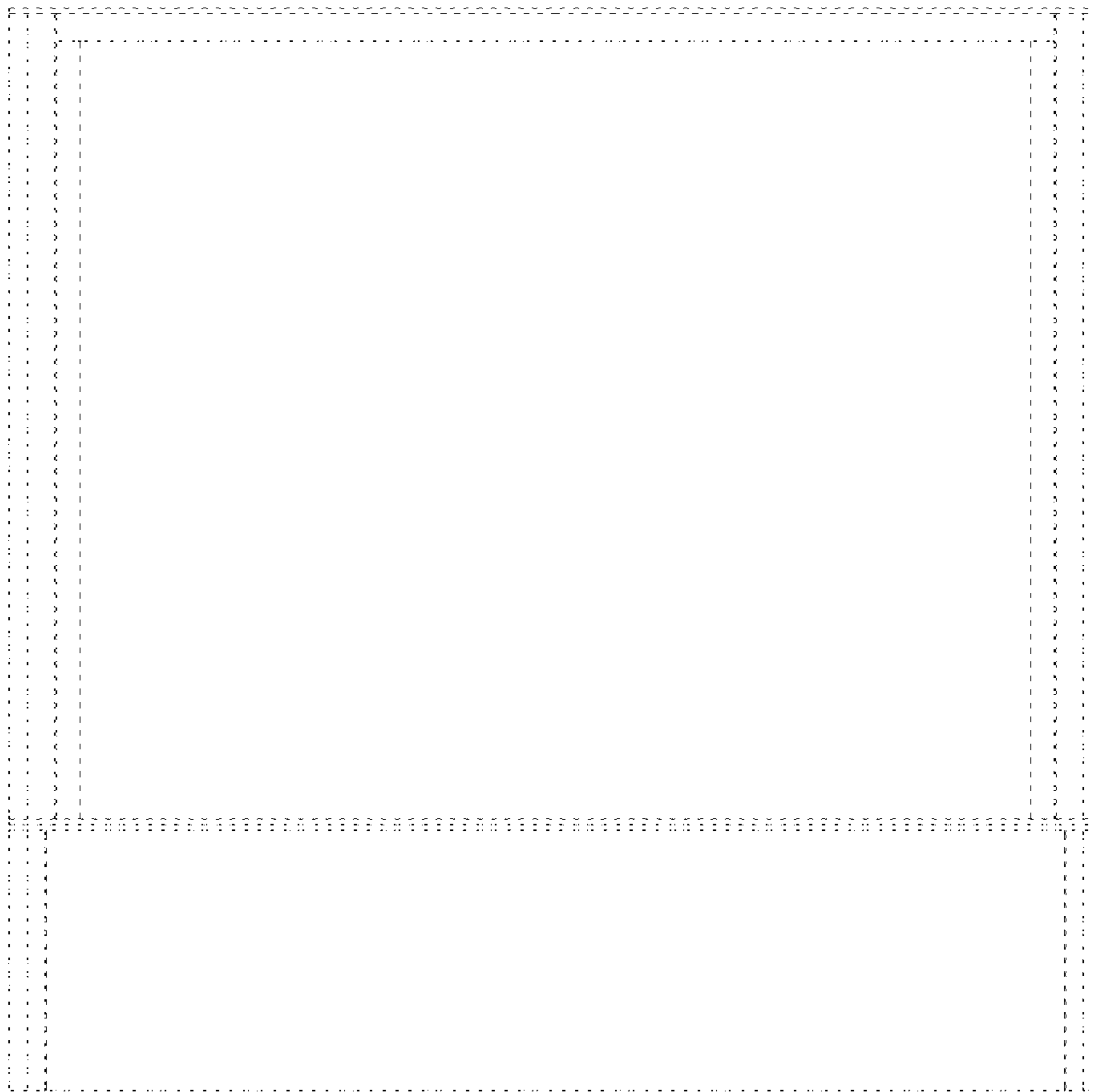


FIG. 4

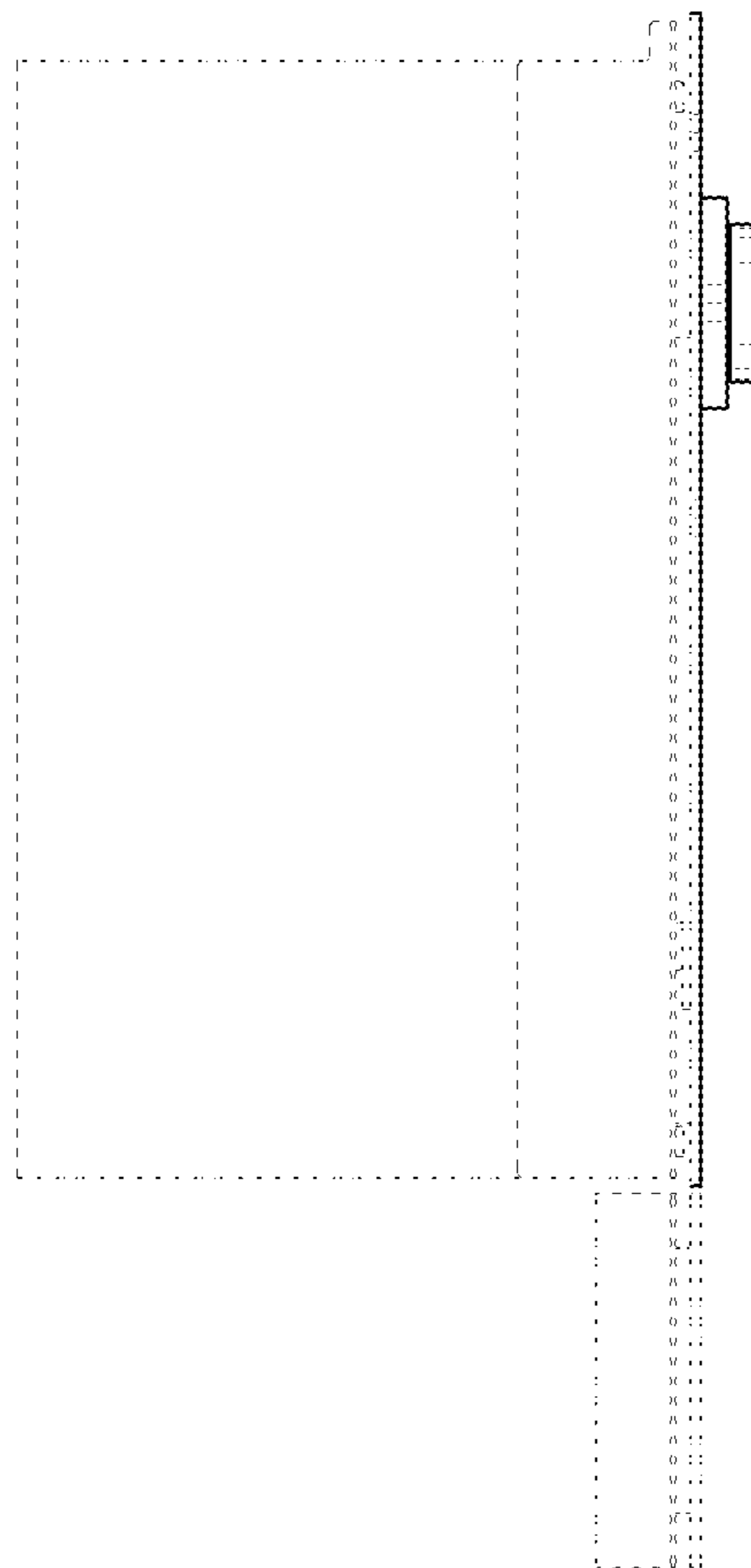


FIG. 5

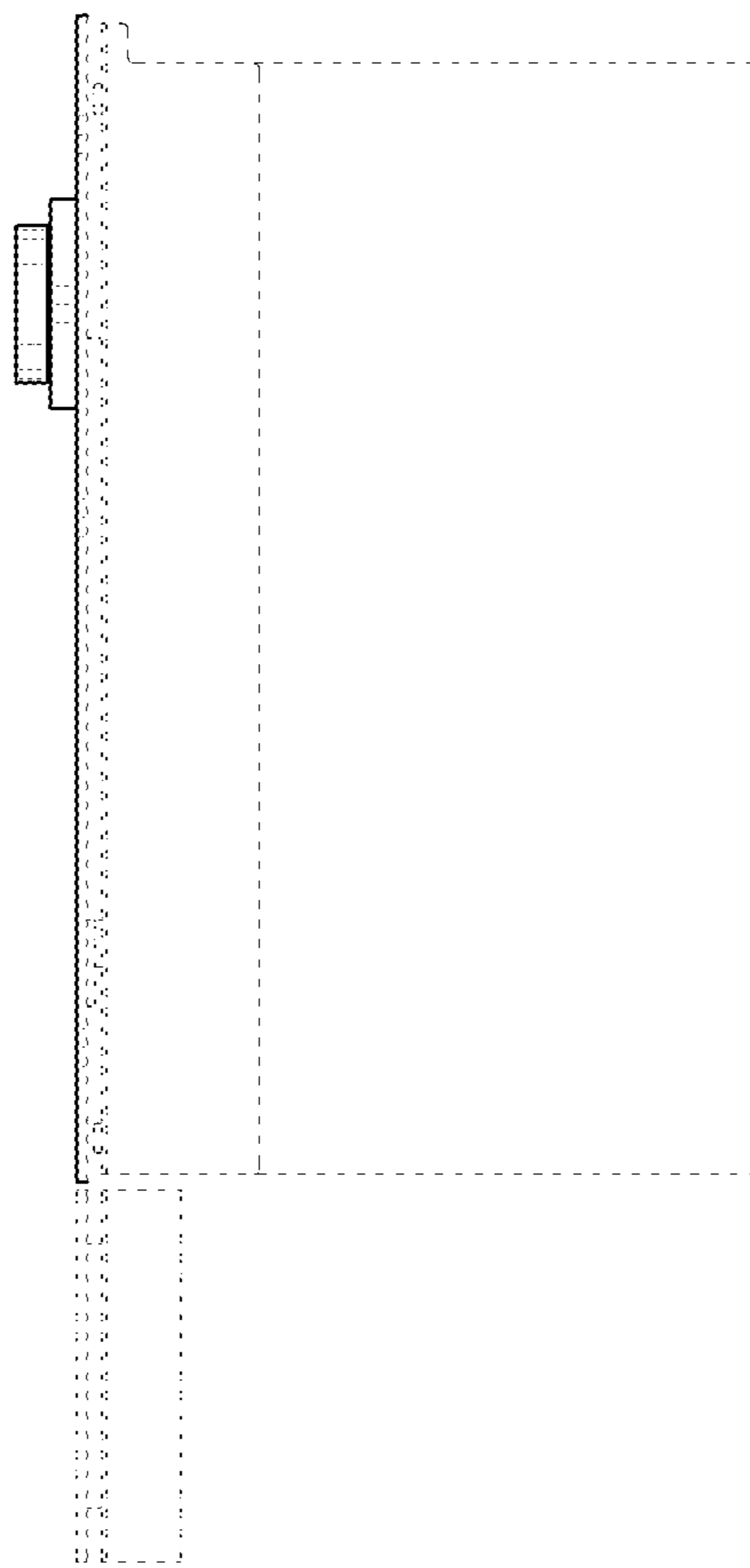


FIG. 6

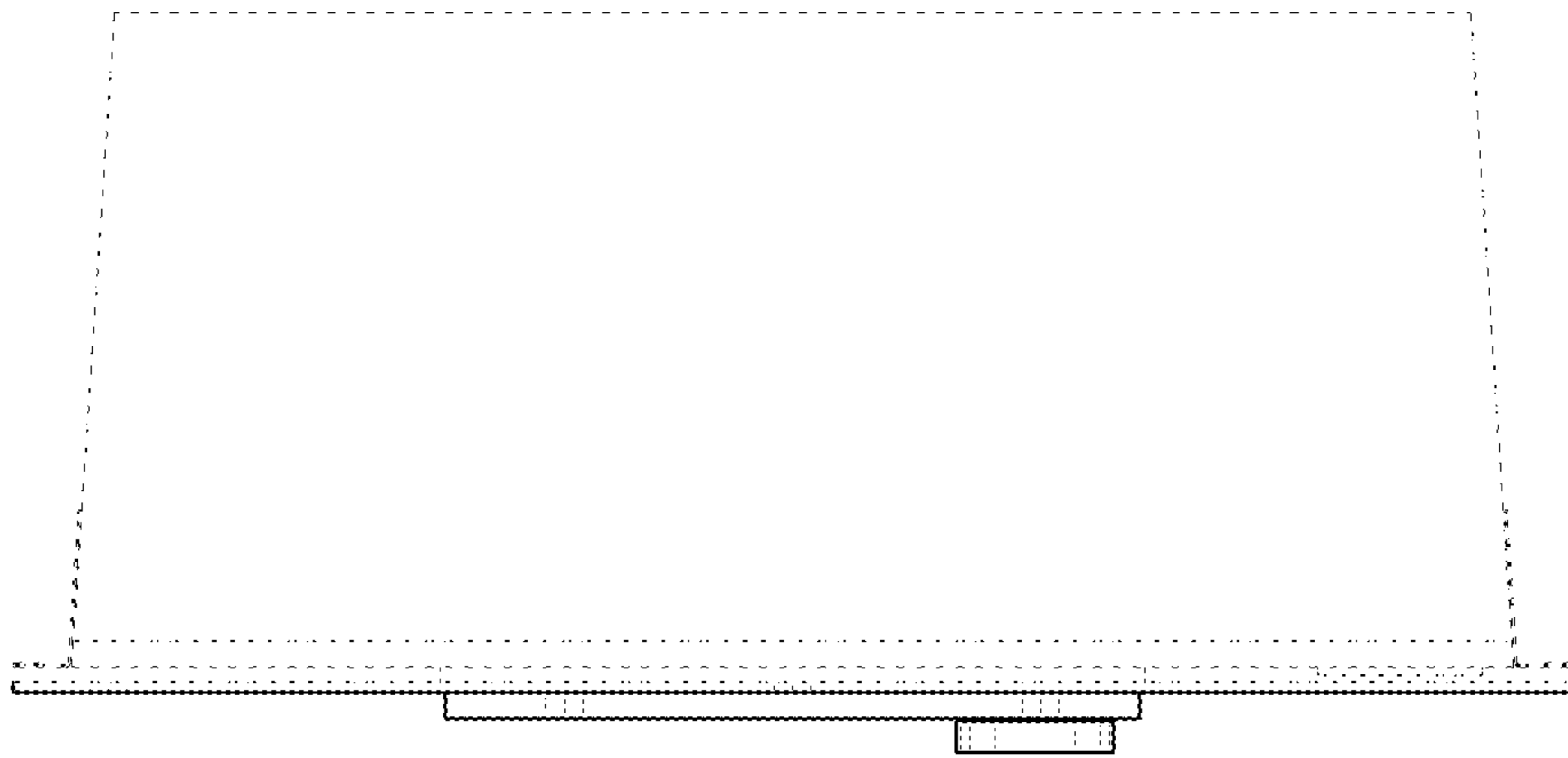


FIG. 7

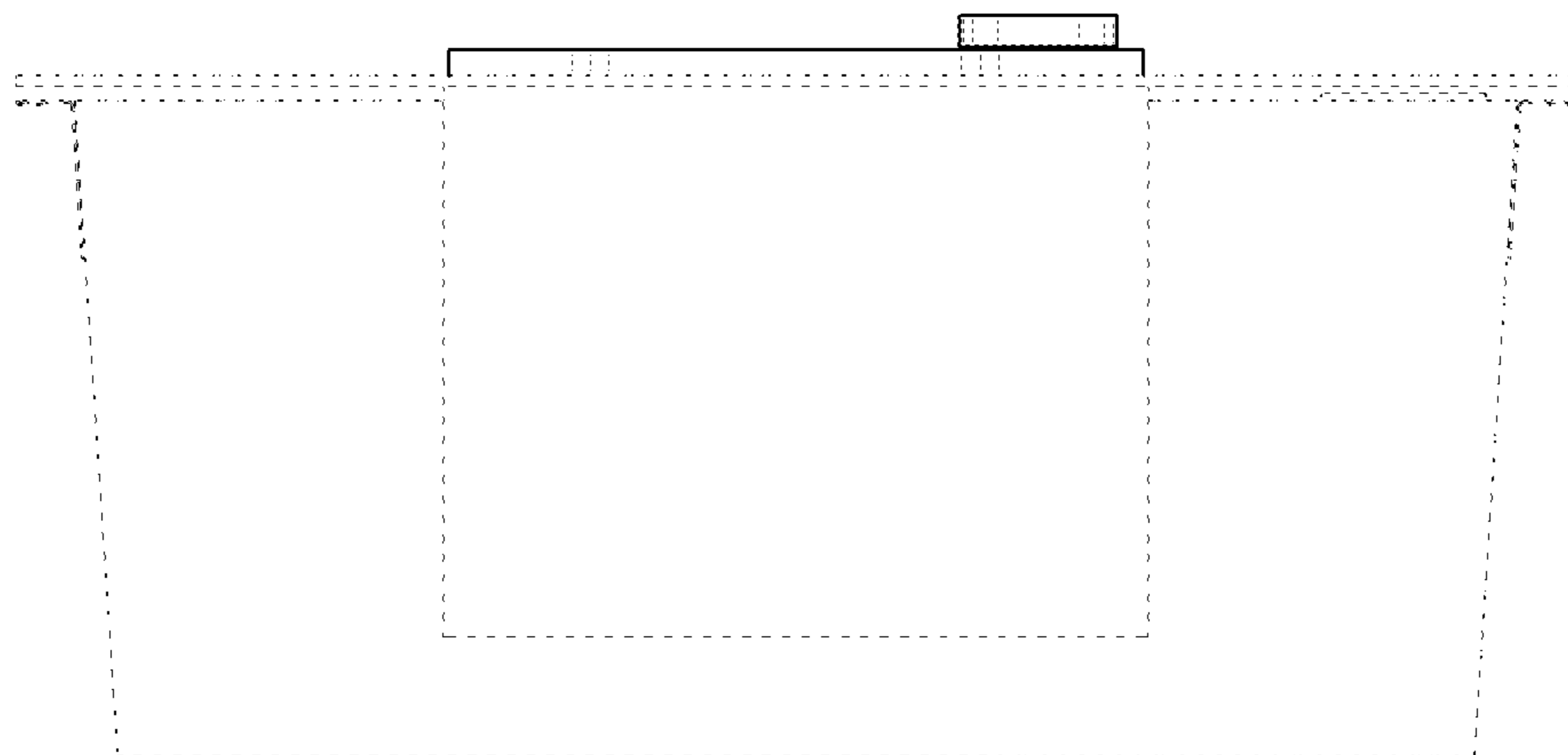


FIG. 8

