



US00D946340S

(12) **United States Design Patent** (10) **Patent No.:** **US D946,340 S**
Jakobsen (45) **Date of Patent:** **** Mar. 22, 2022**

(54) **COMBINED BEVERAGE COOLER AND DISPENSER**

D597,605 S * 8/2009 Davis D20/1
D716,093 S * 10/2014 Jakeman D7/306
D860,268 S * 9/2019 Jakobsen D15/81

(Continued)

(71) Applicant: **Grad ApS**, Copenhagen (DK)

(72) Inventor: **Kenneth Holck Jakobsen**, Solrød Strand (DK)

(73) Assignee: **Grad ApS**, Copenhagen (DK)

(**) Term: **15 Years**

(21) Appl. No.: **29/703,748**

(22) Filed: **Aug. 29, 2019**

(51) **LOC (13) Cl.** **07-01**

(52) **U.S. Cl.**
USPC **D7/306**

(58) **Field of Classification Search**
USPC D7/300, 300.1, 302-322, 387, 397-398, D7/412-415, 510-511, 589-590, D7/598-600, 601, 602, 605, 619.1; D3/202; D9/417, 435, 447; D15/81; D20/4, 5; D23/201-202; D30/121, 129, D30/132-133; 222/129.1
CPC .. A01K 7/00; A01K 7/025; A47J 31/00; A47J 31/007; A47J 31/40; A47J 31/44; A47J 31/4425; A47J 31/46; A47J 31/50; B67D 1/0003; B67D 1/0004; B67D 1/0009; B67D 1/06; B67D 1/0857; B67D 3/00; B67D 3/0003; B67D 3/0009; B67D 3/0029; B67D 3/0032; B67D 3/0035; B67D 3/0038; E03B 9/20

See application file for complete search history.

(56) **References Cited**

U.S. PATENT DOCUMENTS

D183,532 S * 9/1958 McCauley D7/311
D223,325 S * 4/1972 Mox D7/311
D231,808 S * 6/1974 Fossella D7/311

OTHER PUBLICATIONS

Design No. 06-632-0101-0001, Aug. 14, 2006—Intellectual Property Corporation of Malaysia Publication Date—Jul. 5, 2007 Owner—Grindmaster Corporation, Designer—Thomas J. Pfeiffer WIPO, available at <https://www3.wipo.int/designdb/en/index.jsp> (Year: 2007).*

(Continued)

Primary Examiner — Christian P. McLean

Assistant Examiner — Natalya M Rapundalo

(74) *Attorney, Agent, or Firm* — DiBerardino McGovern IP Group LLC

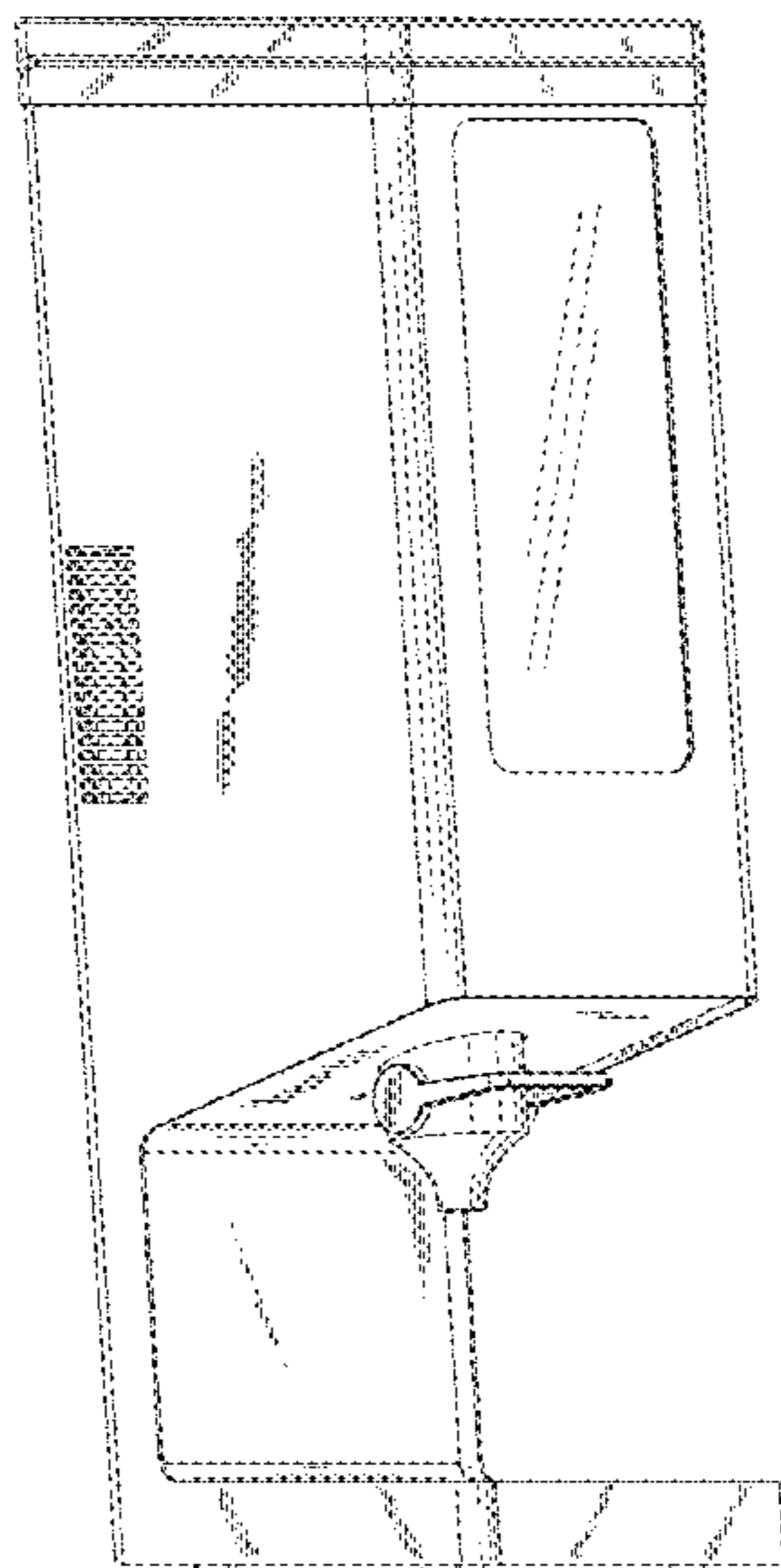
(57) **CLAIM**

The ornamental design for a combined beverage cooler and dispenser, as shown and described.

DESCRIPTION

FIG. 1 is a front view.
FIG. 2 is a rear view.
FIG. 3 is a top view.
FIG. 4 is a bottom view.
FIG. 5 is a left side view.
FIG. 6 is a front left view.
FIG. 7 is a top right view.
FIG. 8 is a rear right top perspective view.
FIG. 9 is a front right top perspective view.
FIG. 10 is a left side view.
FIG. 11 is a left rear perspective view.
FIG. 12 is a top left view.
FIG. 13 is a front left top perspective view; and,
FIG. 14 is a front left top perspective view.
The broken lines in the Figures show portions of the combined beverage cooler and dispenser that form no part of the claimed design.

1 Claim, 14 Drawing Sheets



(56)

References Cited

U.S. PATENT DOCUMENTS

D861,406 S * 10/2019 Tsutsui B67D 1/0004
 D7/306
 D863,439 S * 10/2019 Mycroft A47J 31/402
 D20/1
 D893,234 S * 8/2020 Broen D7/306
 D909,129 S * 2/2021 DeRuntz D7/398
 D920,394 S * 5/2021 Stolarz D15/81
 2003/0213811 A1 * 11/2003 Gertzman B67D 1/0004
 222/1
 2012/0111887 A1 * 5/2012 Smeller A47J 31/402
 222/129.1
 2016/0304331 A1 * 10/2016 Ench B67D 3/0061
 2019/0335921 A1 * 11/2019 Jakobsen A47F 3/04

OTHER PUBLICATIONS

Design No. 153712, Mar. 24, 2015—Canadian Intellectual Property Office (CIPO) Publication Date—Mar. 24, 2015 Owner—PEPSICO, Inc. WIPO, available at <https://www3.wipo.int/designdb/en/index.jsp> (Year: 2015).*

Design No. 2011218, Jun. 2, 1990—Intellectual Property Office of the United Kingdom Publication Date—Jun. 4, 1991 Owner—The Coca-Cola Company DesignView, available at www.tmdn.org/tmdsview-web/welcome (Year: 1991).*

Design No. 2027700, Dec. 11, 1992—Intellectual Property Office of the United Kingdom Publication Date—Mar. 22, 1993 Owner—IMI Cornelius (UK) Limited DesignView, available at www.tmdn.org/tmdsview-web/welcome (Year: 1993).*

Design No. 306061310, Sep. 18, 2020—China National Intellectual Property Administration Publication Date—Sep. 18, 2020 Owner—Fuji Electric Co Ltd, Designer—Kajiwara Masahiro WIPO, available at <https://www3.wipo.int/designdb/en/index.jsp> (Year: 2020).*

Bag-In-Box Drink Dispenser/Beverage Cooler, Alibaba, [online], [site visited Jun. 14, 2021], Available from internet URL: https://www.alibaba.com/product-detail/bag-in-box-drink-dispenser-beverage_62229758631.html (Year: 2021).*

Crathco D15-4 Refrigerated Drink Dispenser, Katom, [online], [site visited Jun. 14, 2021], Available from internet URL: https://www.katom.com/131-D154.html?gclid=EAlalQobChMloOHf-eWX8QIVBLSzCh0Kgg9BEAQYCSABEgLI8_D_BwE (Year: 2021).*

* cited by examiner

FIG. 1

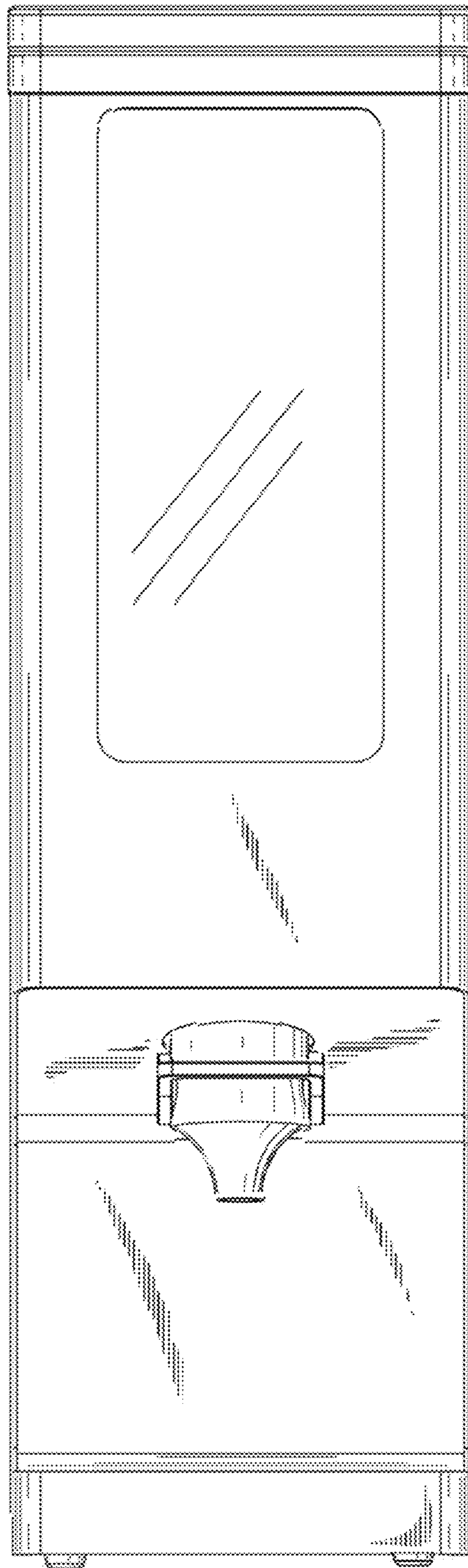
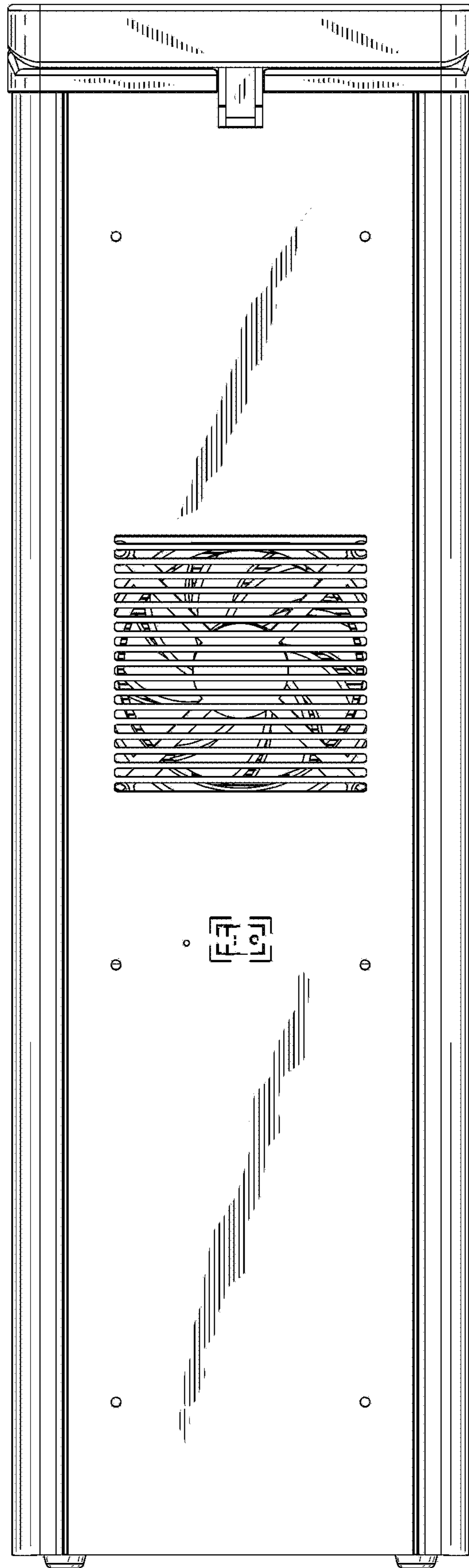


FIG. 2



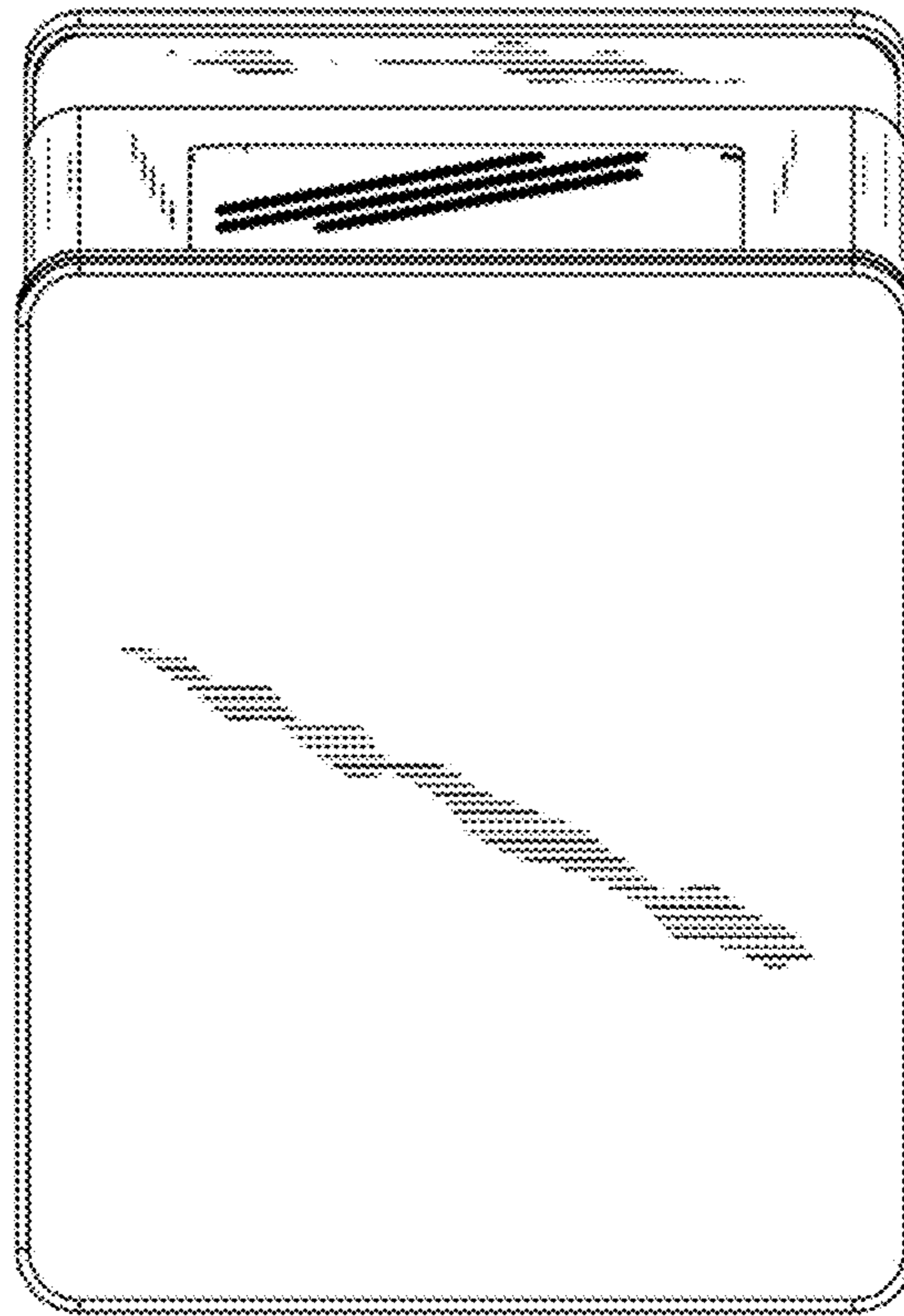


FIG. 3

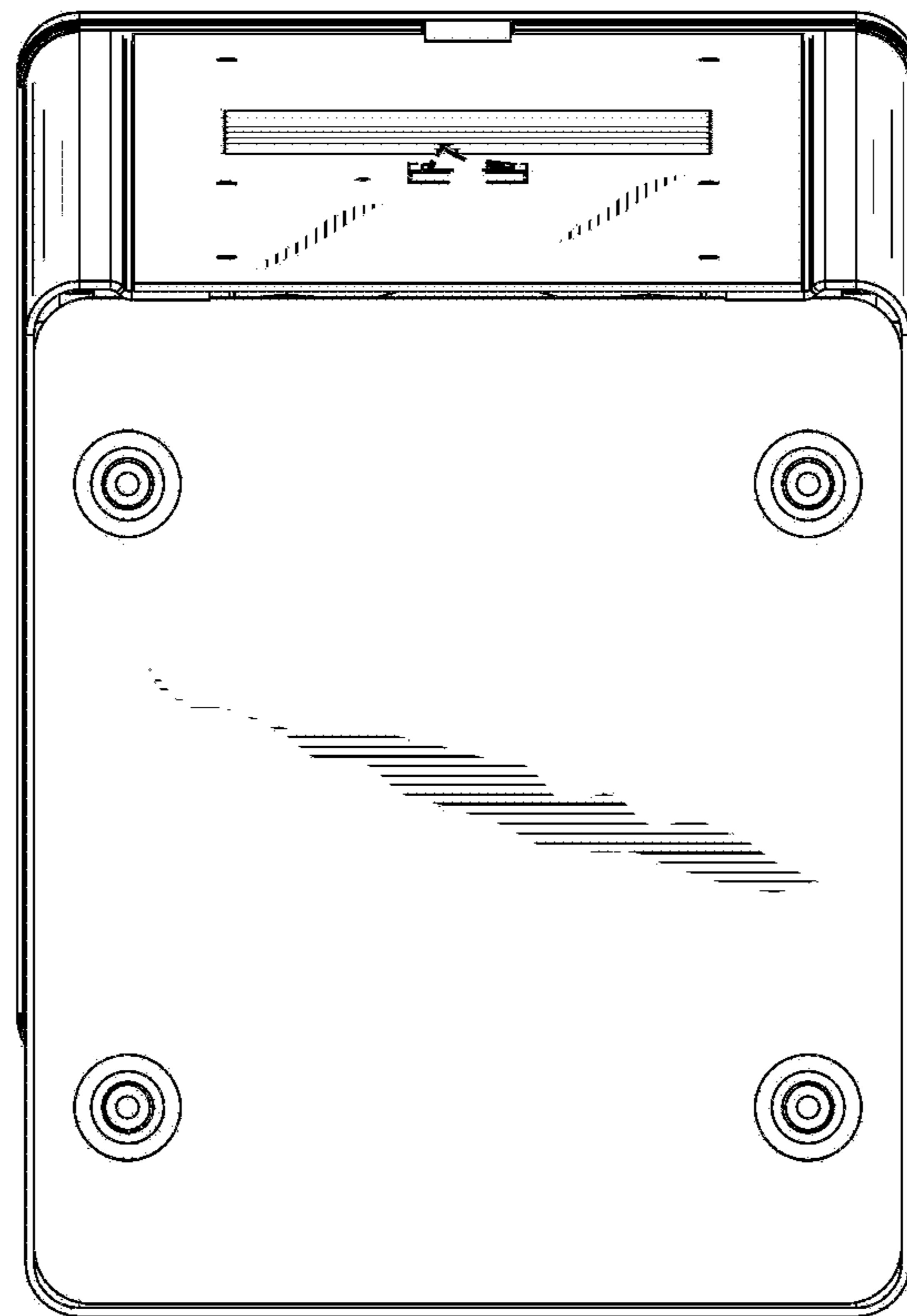


FIG. 4

FIG. 5

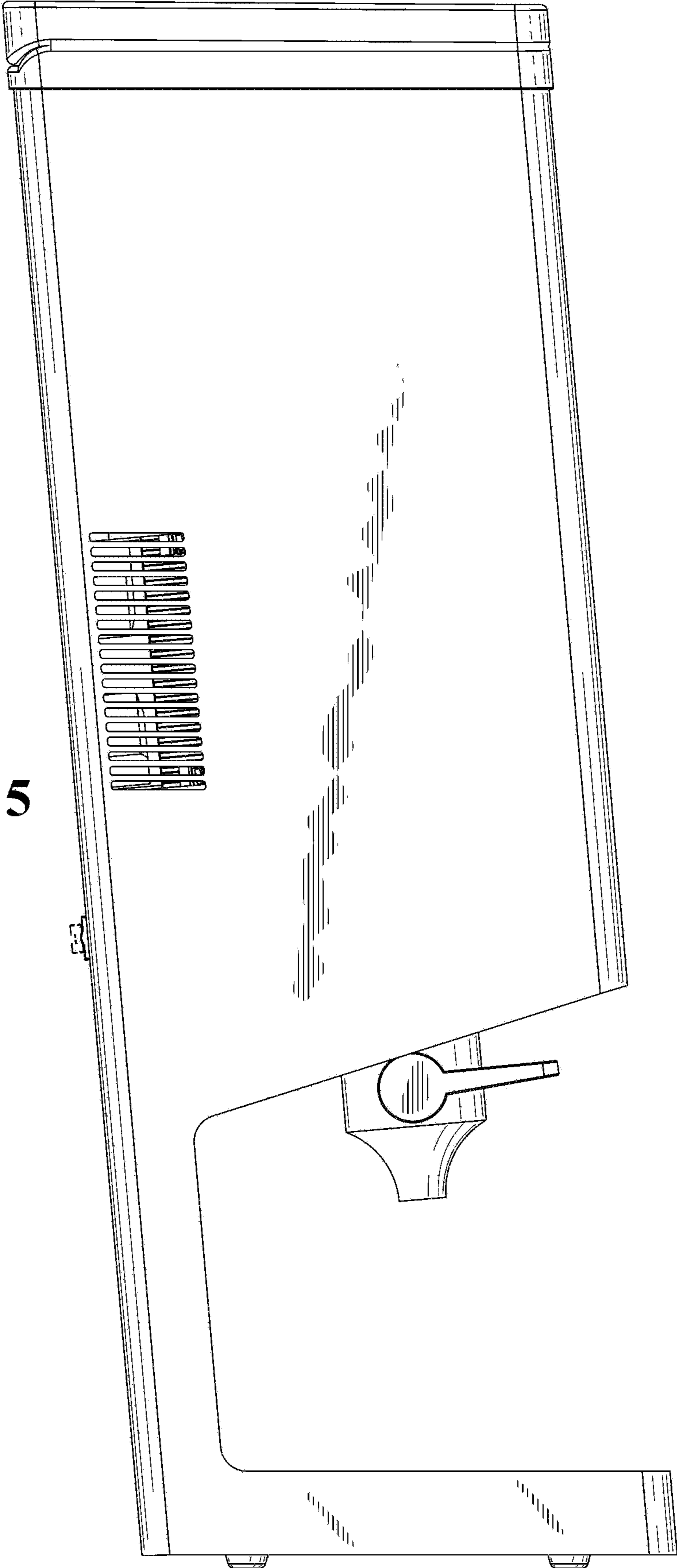


FIG. 6

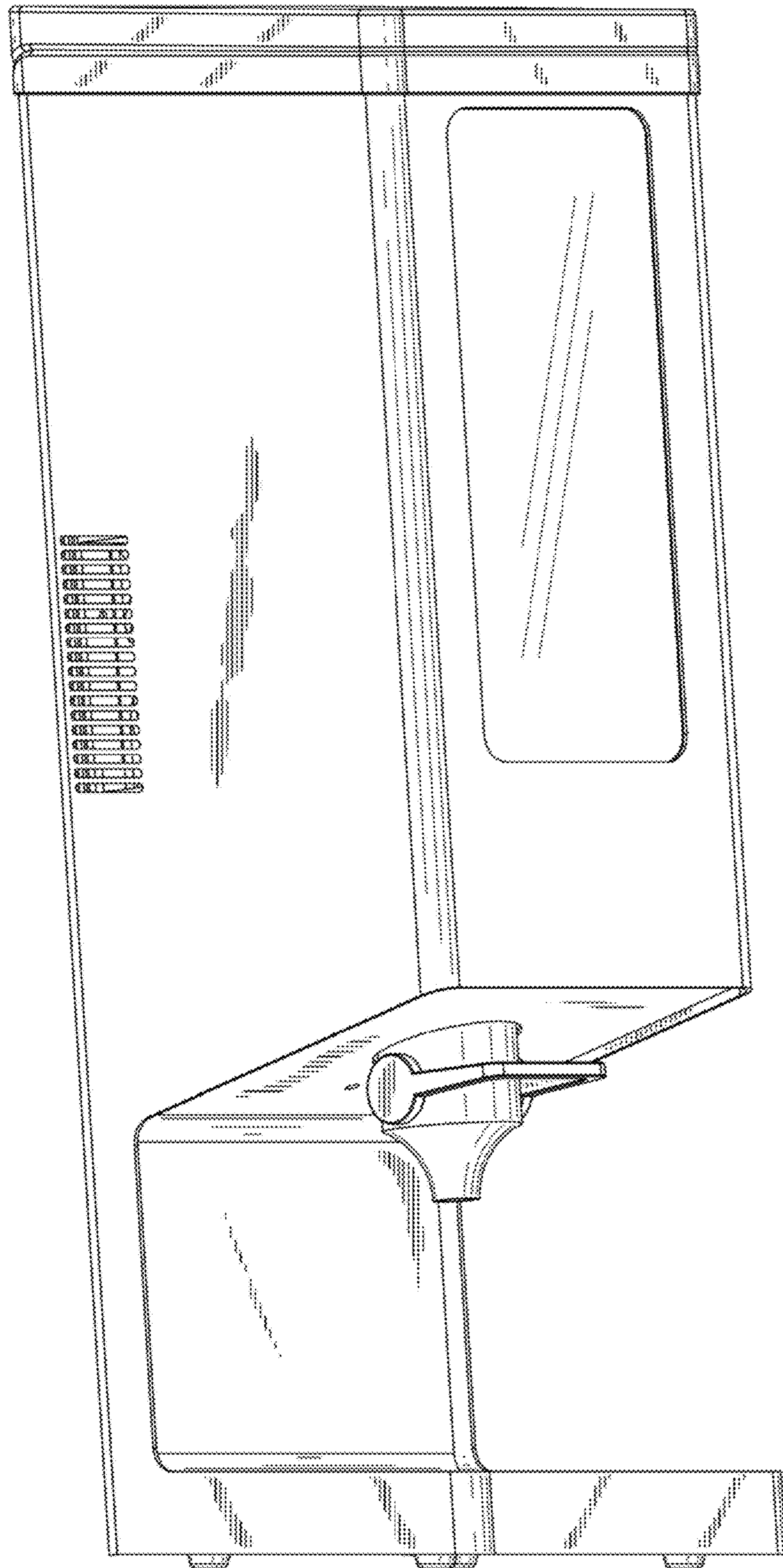


FIG. 7

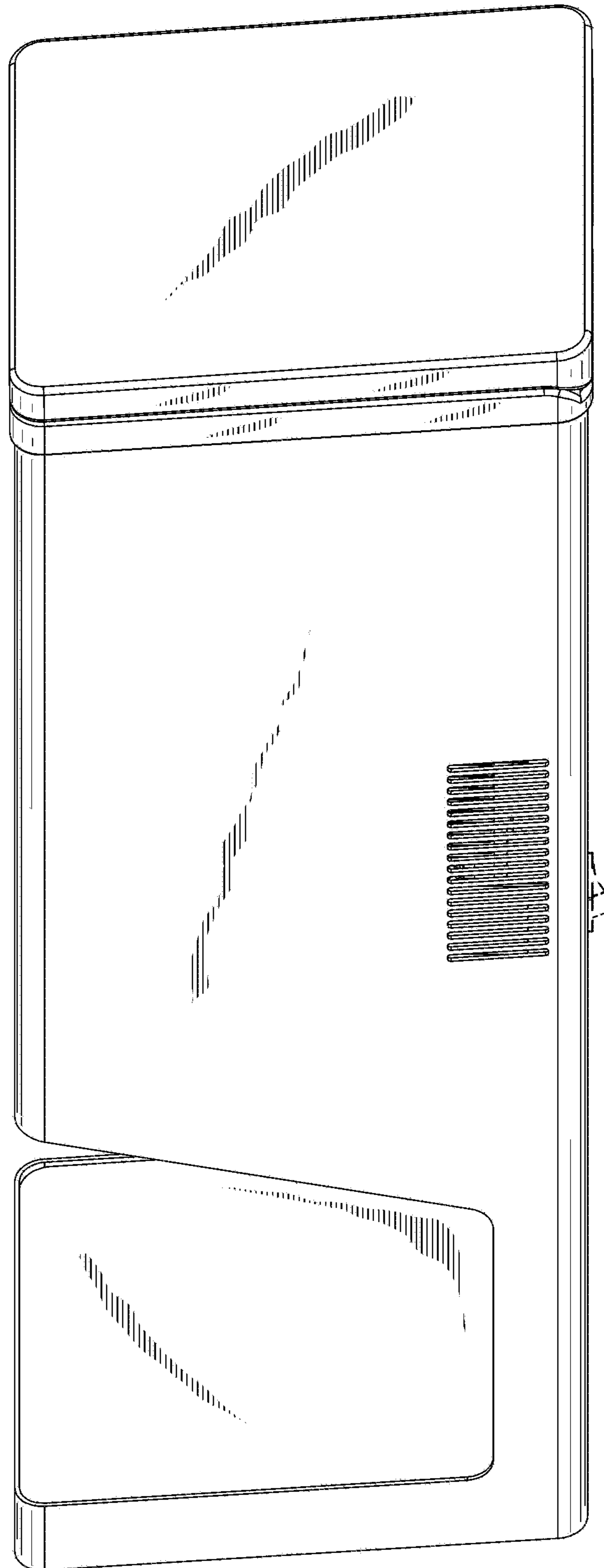


FIG. 8

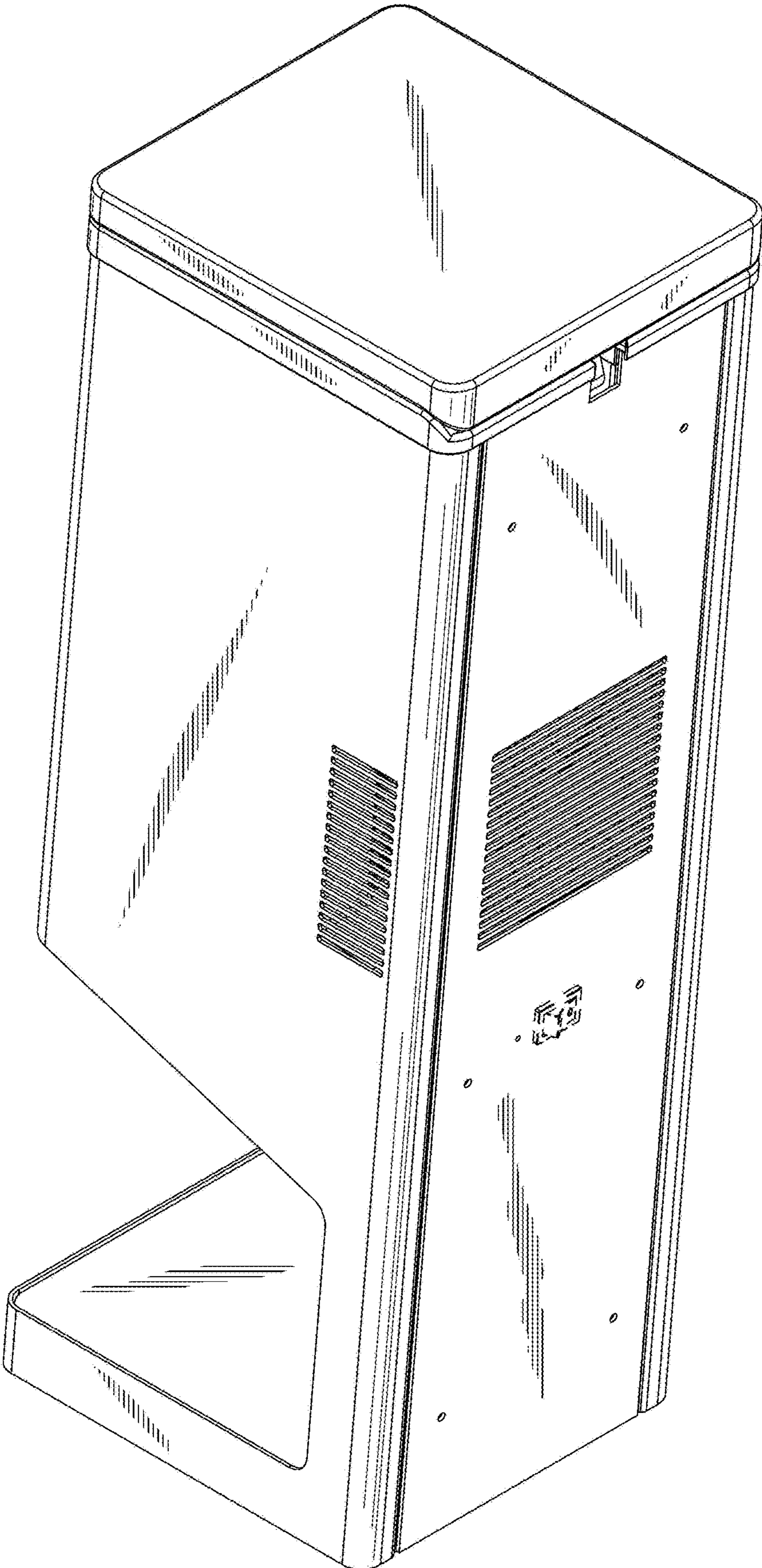


FIG. 9

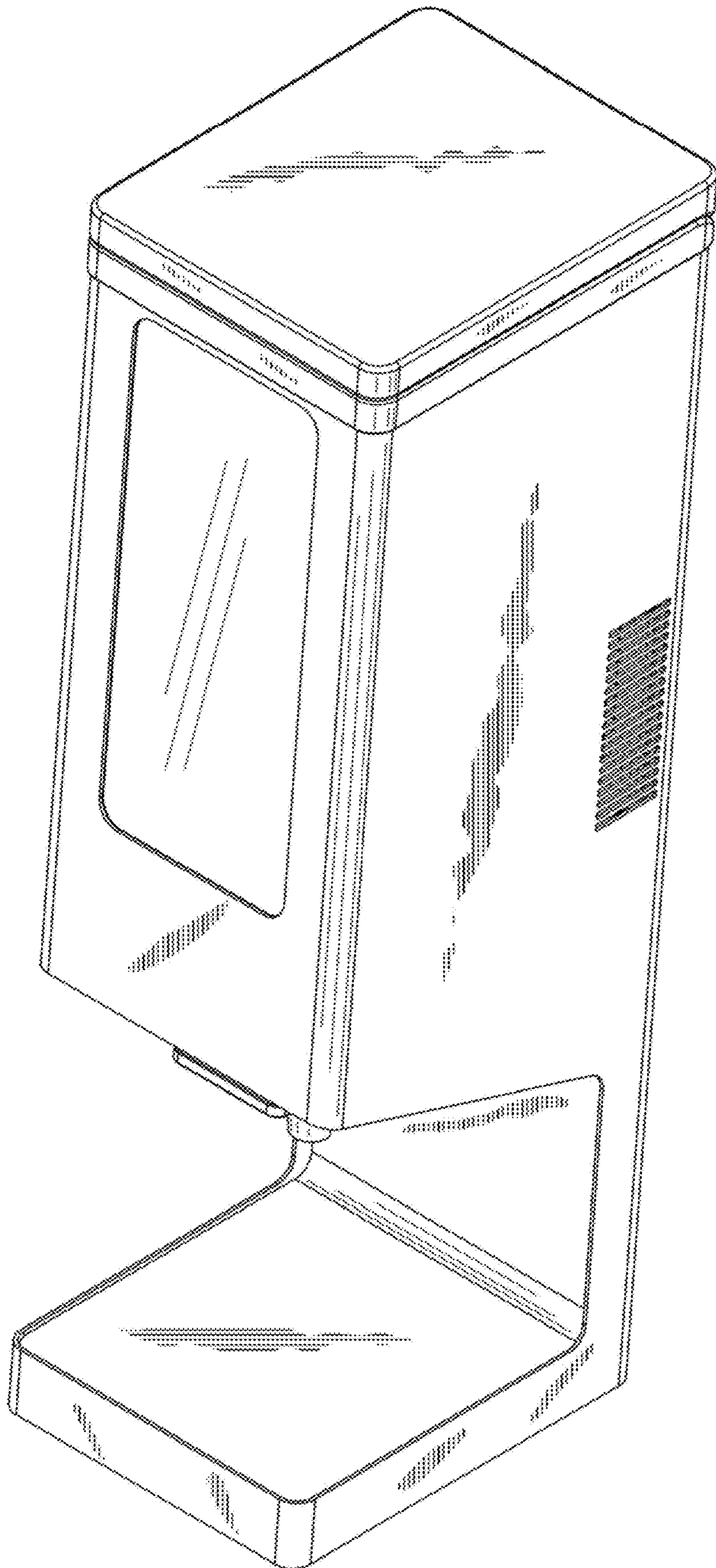


FIG. 10

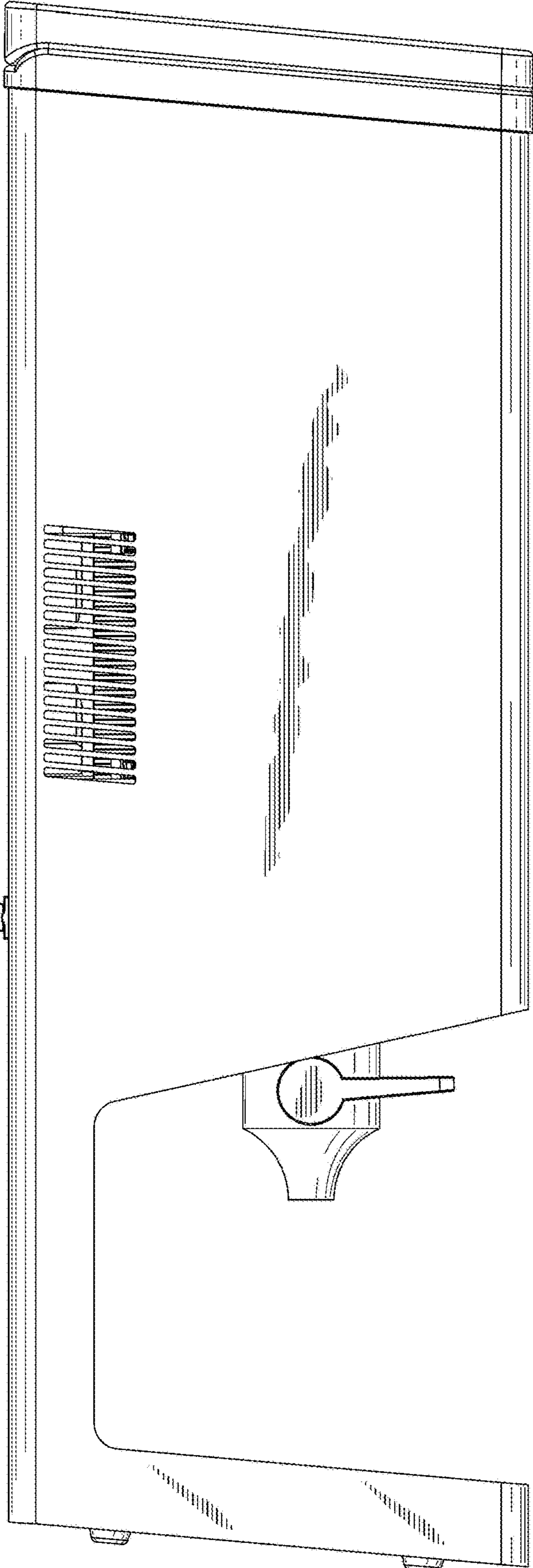


FIG. 11

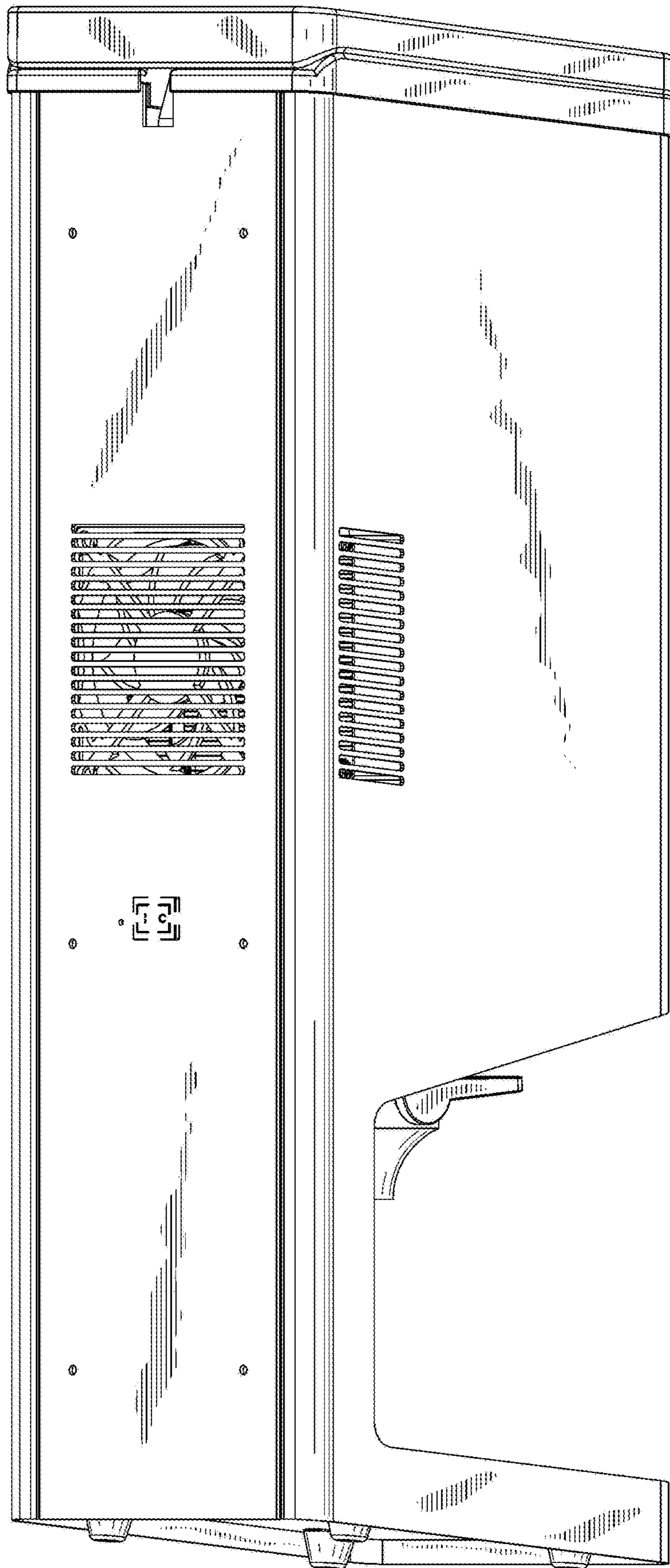


FIG. 12

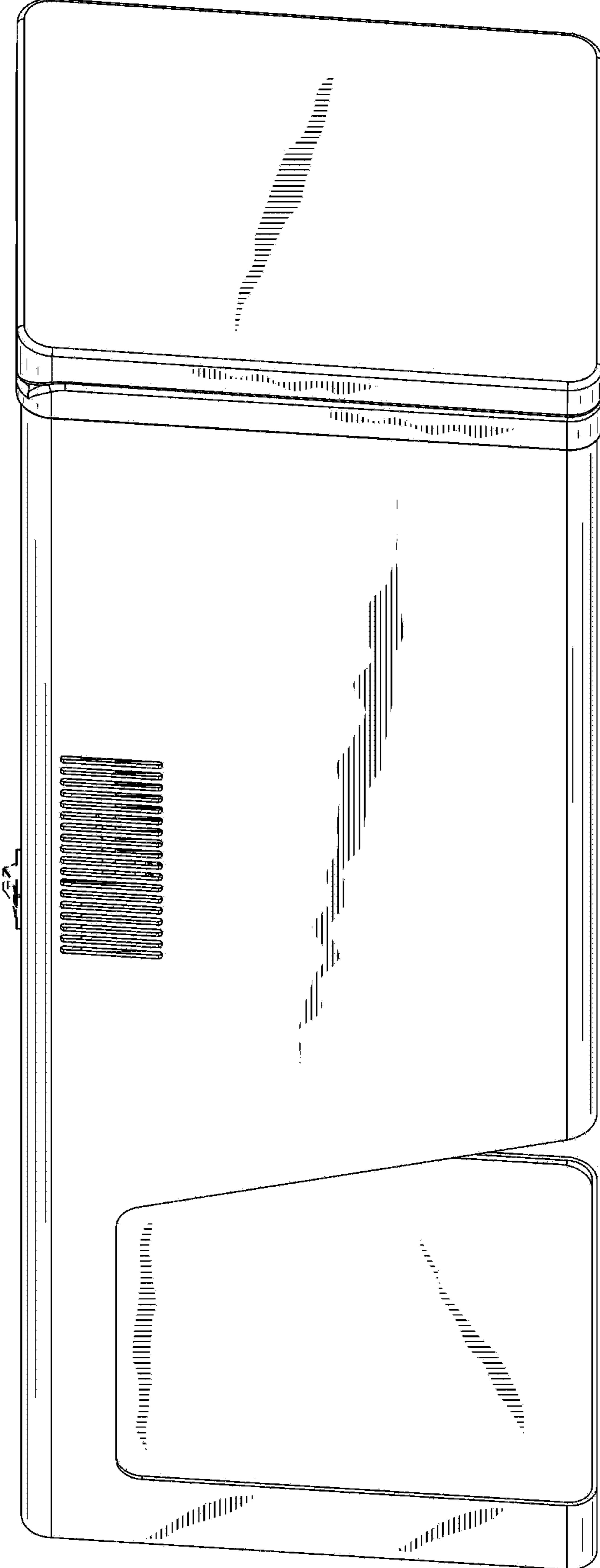


FIG. 13

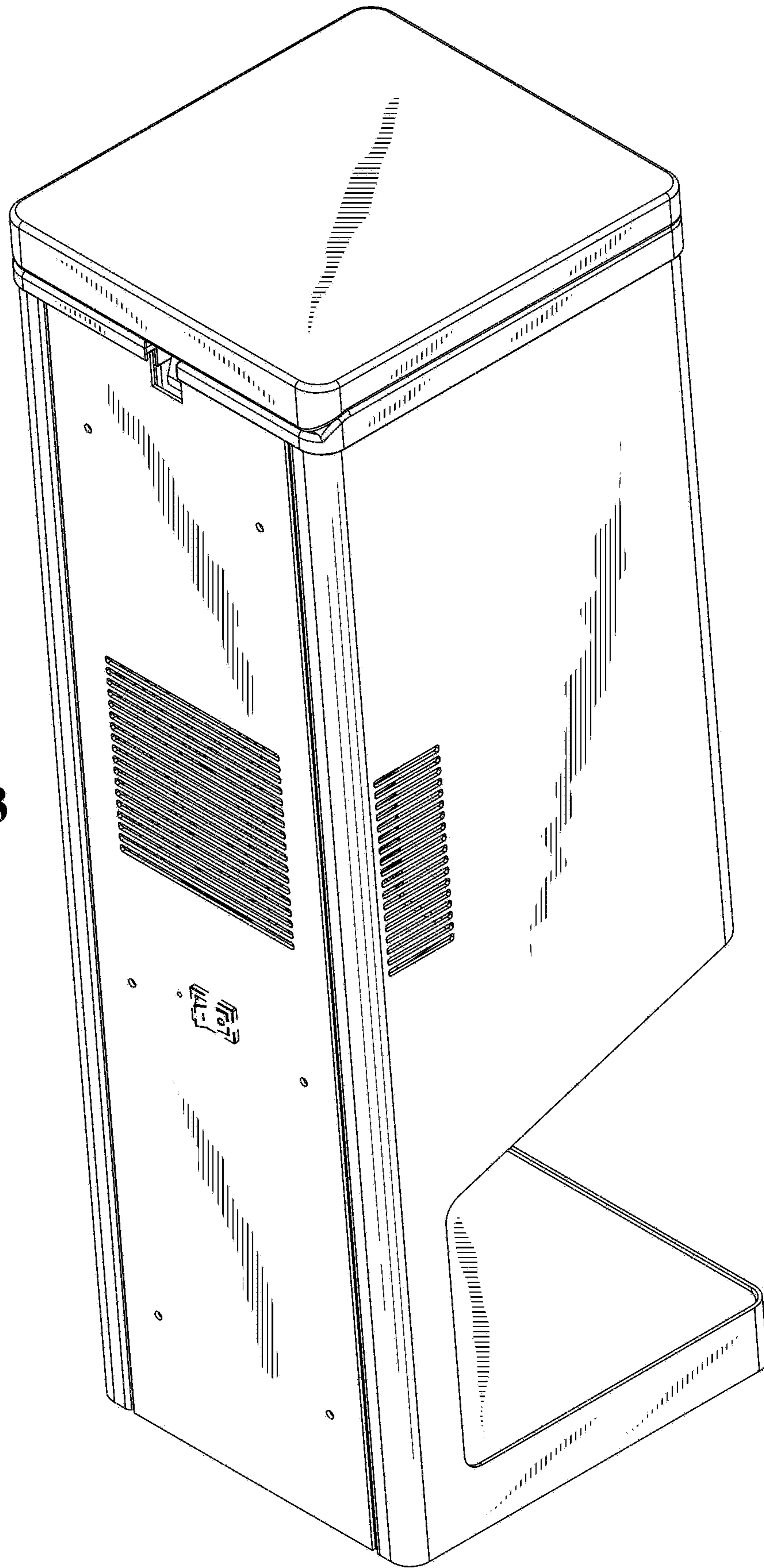


FIG. 14

