

US00D946336S

(12) **United States Design Patent**  
**Kolberg**

(10) **Patent No.:** **US D946,336 S**

(45) **Date of Patent:** **\*\* Mar. 22, 2022**

(54) **OFFICE CHAIR PART**

(71) Applicant: **BOCK 1 GMBH & CO. KG,**  
Postbauer-Heng (DE)

(72) Inventor: **Justus Kolberg,** Hamburg (DE)

(73) Assignee: **BOCK 1 GmbH & Co. KG,**  
Postbauer-Heng (DE)

(\*\*) Term: **15 Years**

(21) Appl. No.: **29/706,694**

(22) Filed: **Sep. 23, 2019**

(30) **Foreign Application Priority Data**

Mar. 26, 2019 (EM) ..... 006336582-0001

(51) **LOC (13) Cl.** ..... **06-01**

(52) **U.S. Cl.**  
USPC ..... **D6/716.7**

(58) **Field of Classification Search**

USPC ..... D6/334-336, 364, 365, 366, 367, 374,  
D6/375, 716, 716.1, 716.4, 716.7

CPC ..... A47C 7/002; A47C 7/004; A47C 7/006;  
A47C 7/18; A47C 7/24; A47C 7/40;  
A47C 4/028; A47C 7/46; A47C 3/18;  
A47C 3/20; A47C 1/031; A47C 1/03255

See application file for complete search history.

(56) **References Cited**

**U.S. PATENT DOCUMENTS**

D549,016 S \* 8/2007 Donati ..... D6/716.7  
D550,989 S \* 9/2007 Donati ..... D6/716.7

D550,991 S \* 9/2007 Donati ..... D6/716.7  
D557,946 S \* 12/2007 Matern ..... D6/716.7  
D578,326 S \* 10/2008 Donati ..... D6/716.7  
D898,497 S \* 10/2020 Koi ..... D6/716.7  
D899,168 S \* 10/2020 Bock ..... D6/716.7

\* cited by examiner

*Primary Examiner* — Mimosa De

(74) *Attorney, Agent, or Firm* — Laurence A. Greenberg;  
Werner H. Stemer; Ralph E. Locher

(57) **CLAIM**

The ornamental design for a office chair part, as shown and described.

**DESCRIPTION**

FIG. 1 is a front elevation view of the office chair part showing my new invention;  
FIG. 2 is a rear elevation view thereof;  
FIG. 3 is a left side elevation view thereof;  
FIG. 4 is a right side elevation view thereof;  
FIG. 5 is a top plan view thereof;  
FIG. 6 is a bottom plan view thereof;  
FIG. 7 is a front perspective view thereof; and,  
FIG. 8 is a rear perspective plan view thereof.  
The broken lines show environmental structure and form no part of the claimed design.

**1 Claim, 8 Drawing Sheets**

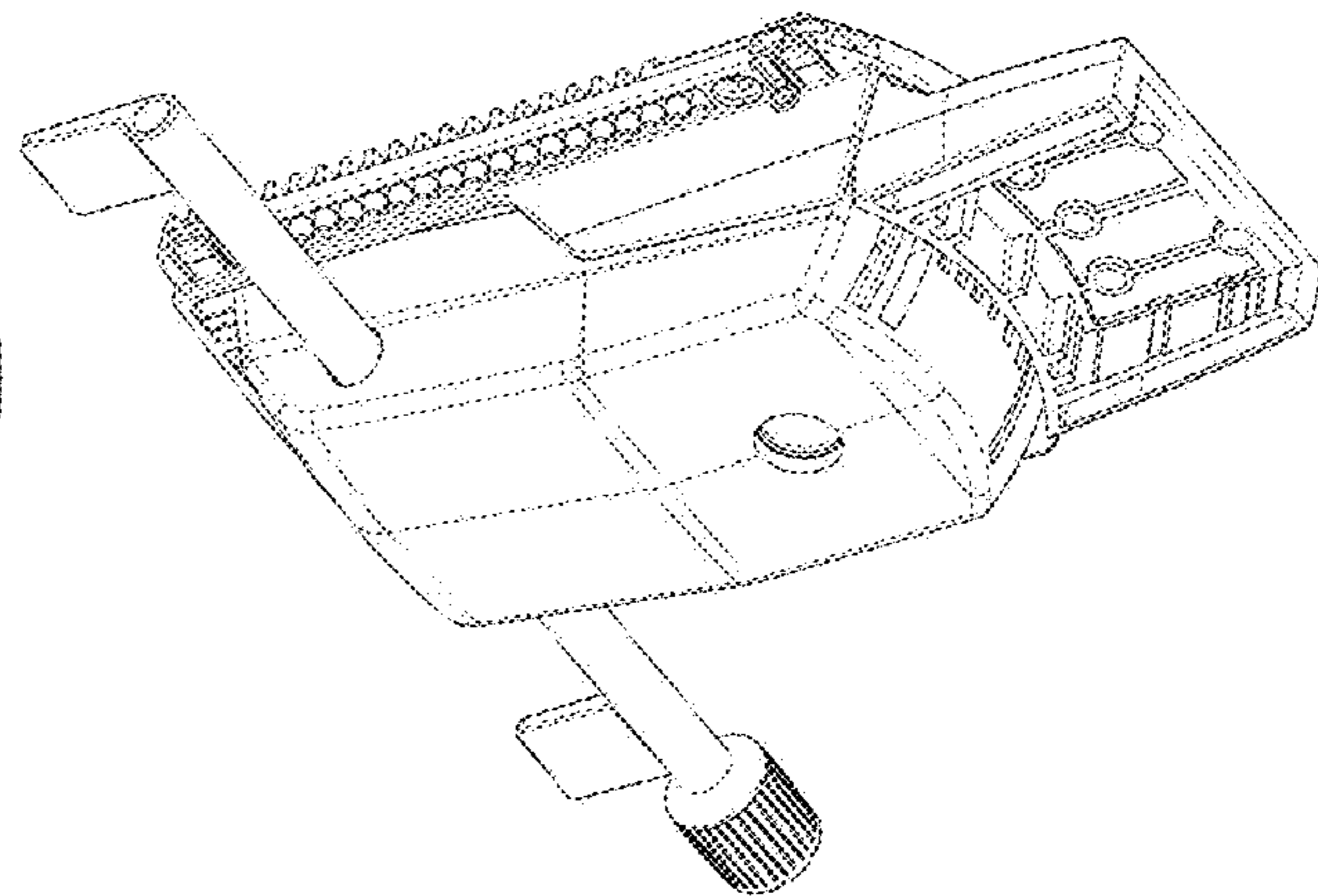
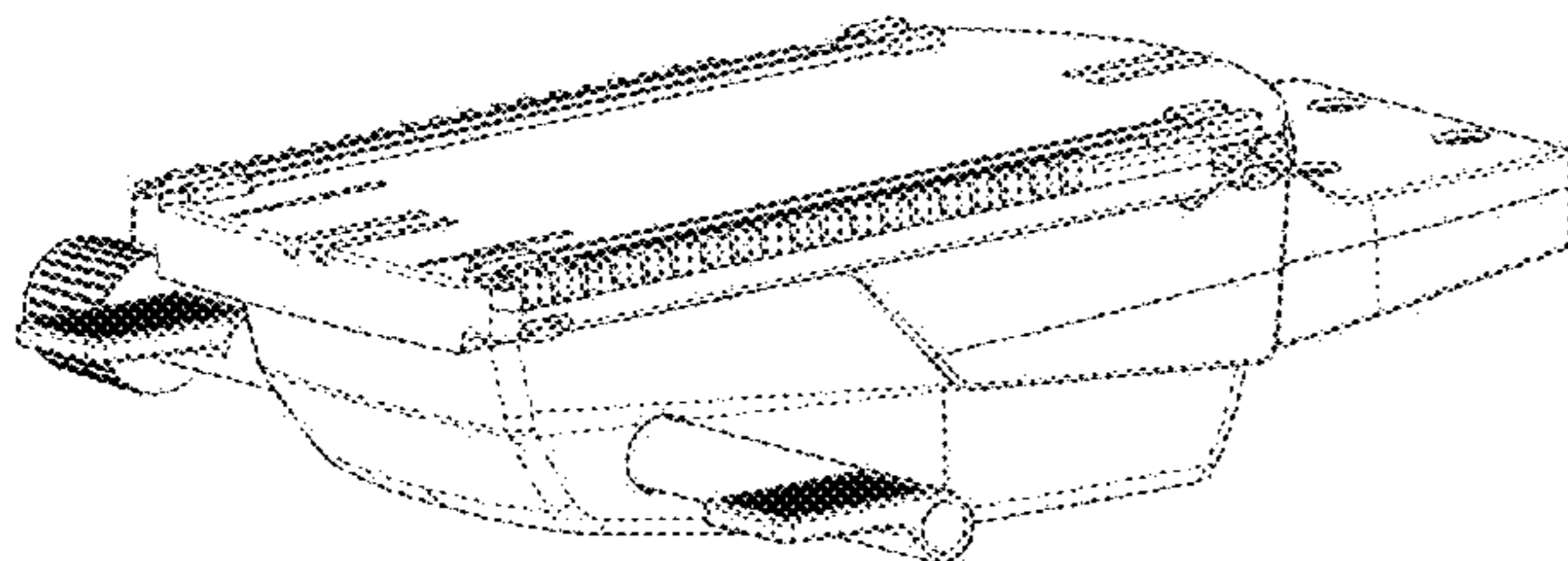


FIG. 1

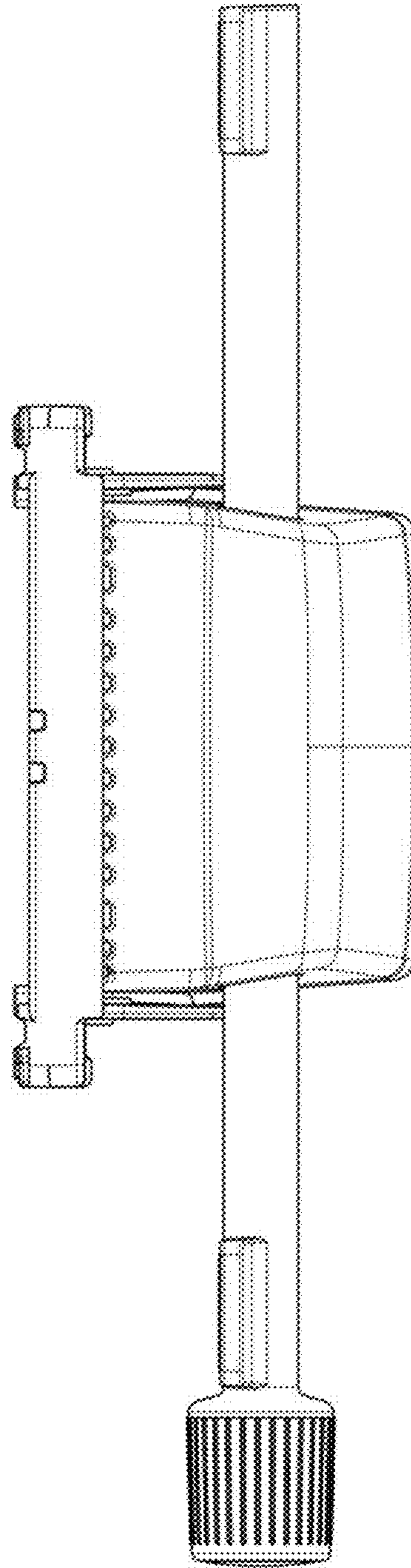


FIG. 2

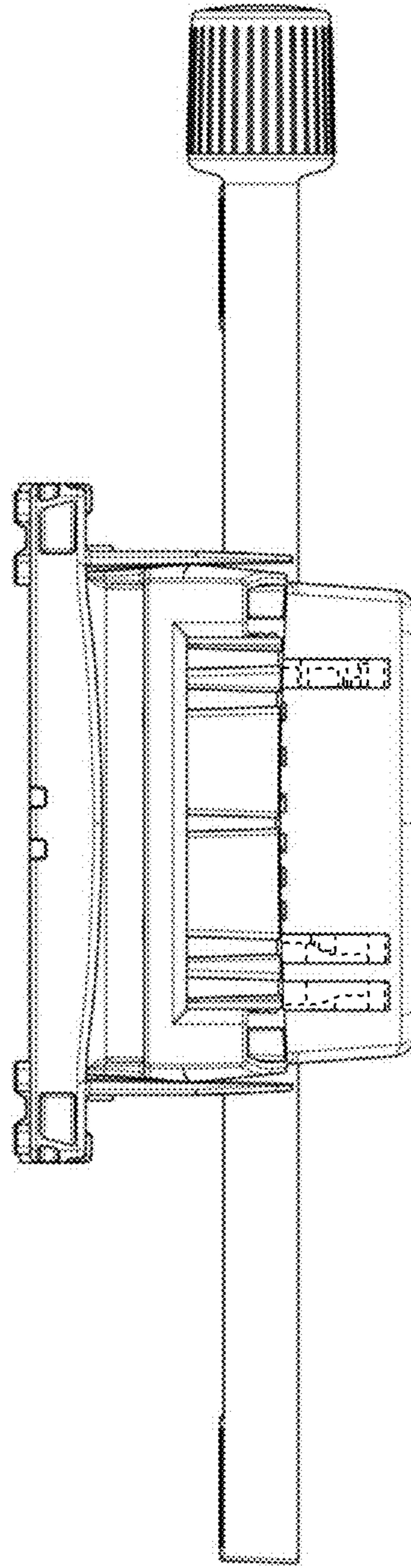


FIG. 3

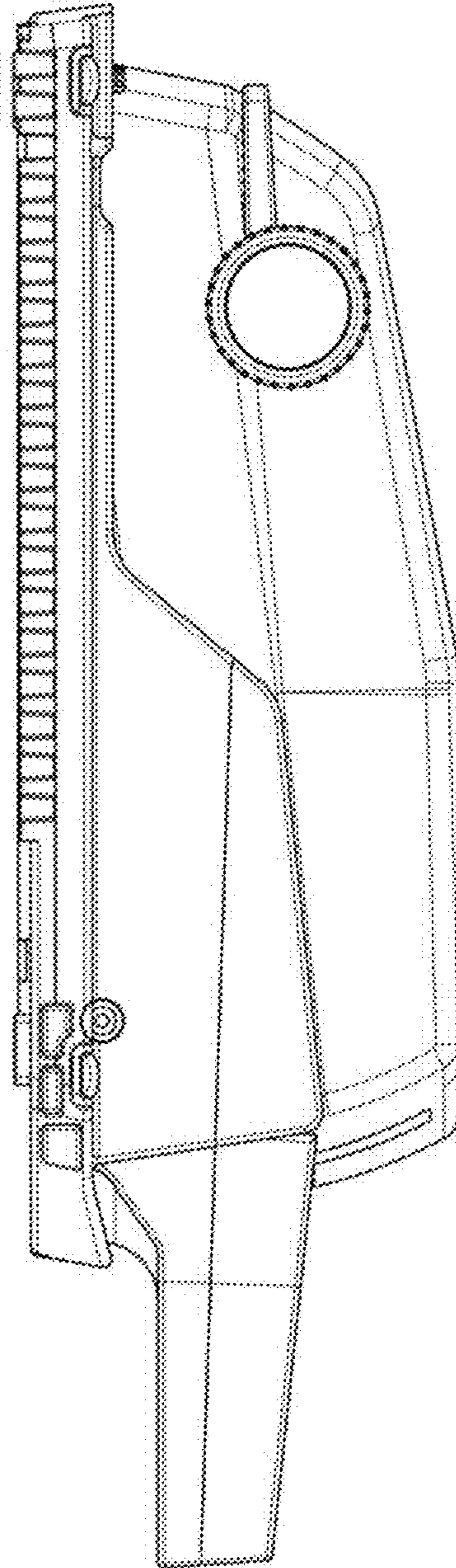




FIG. 4

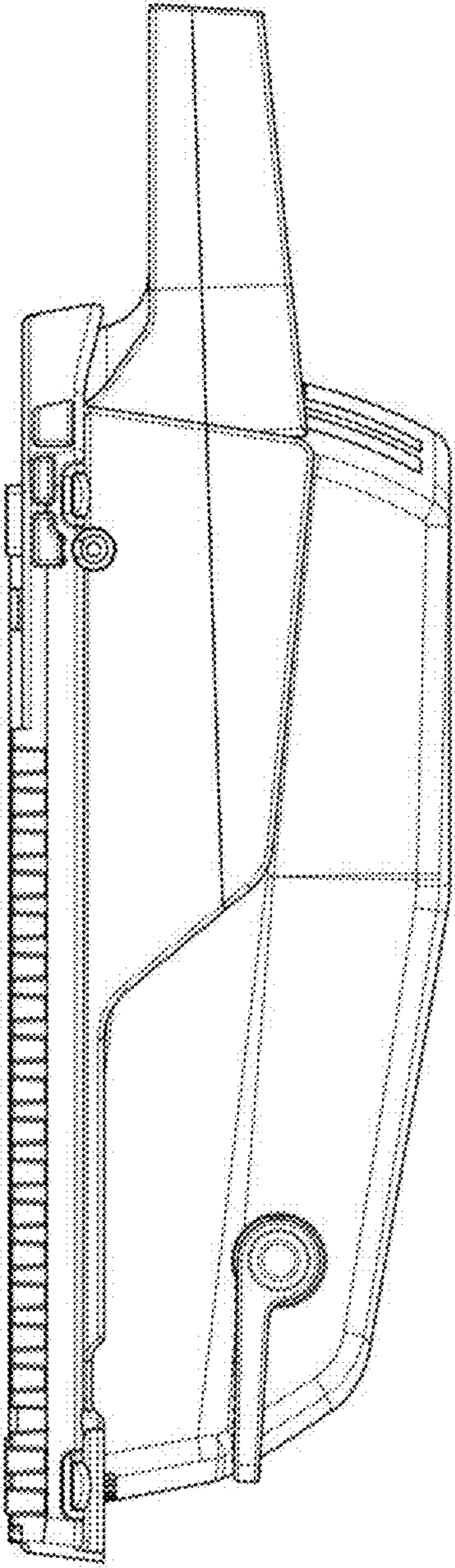


FIG. 5

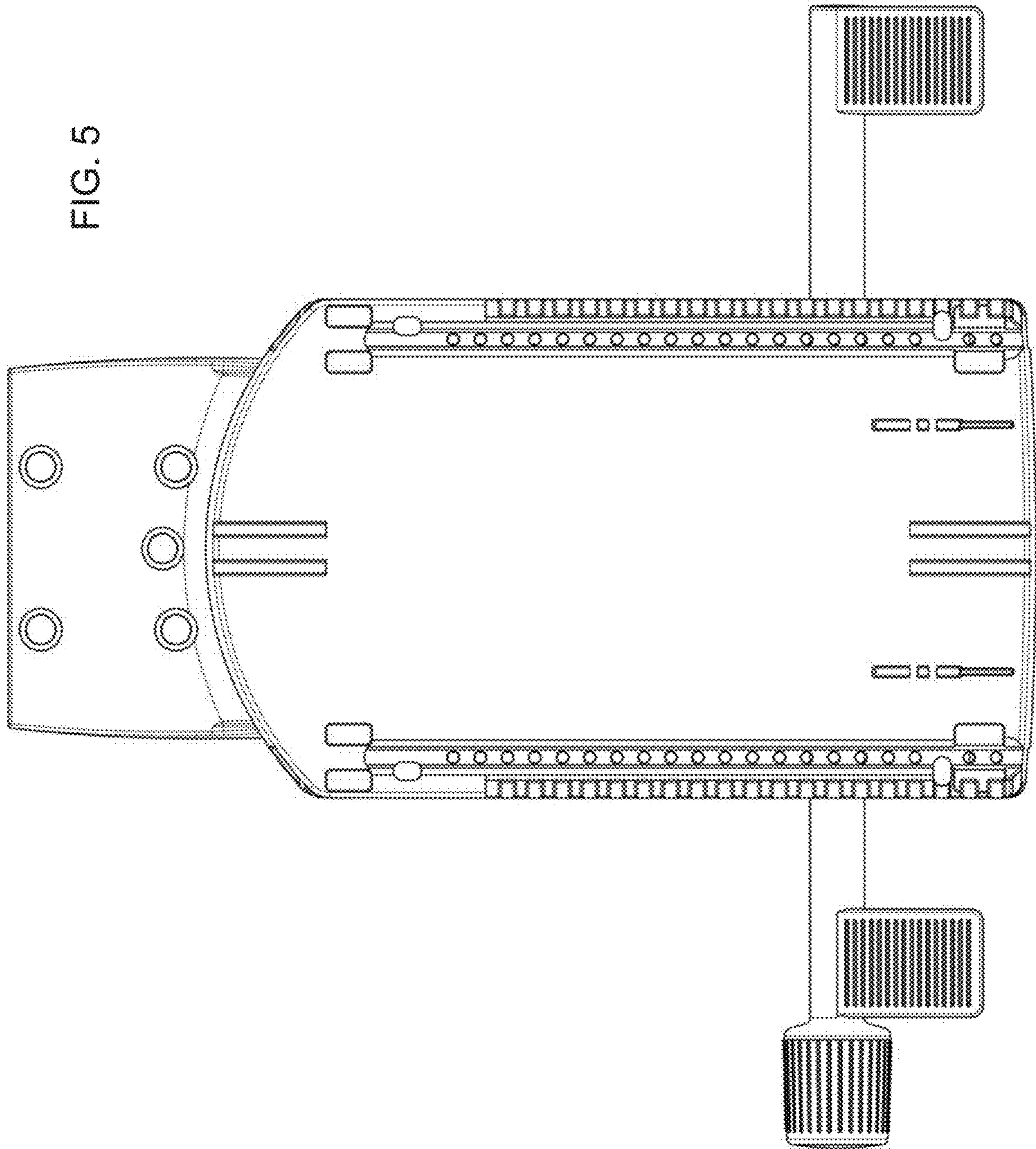


FIG. 6

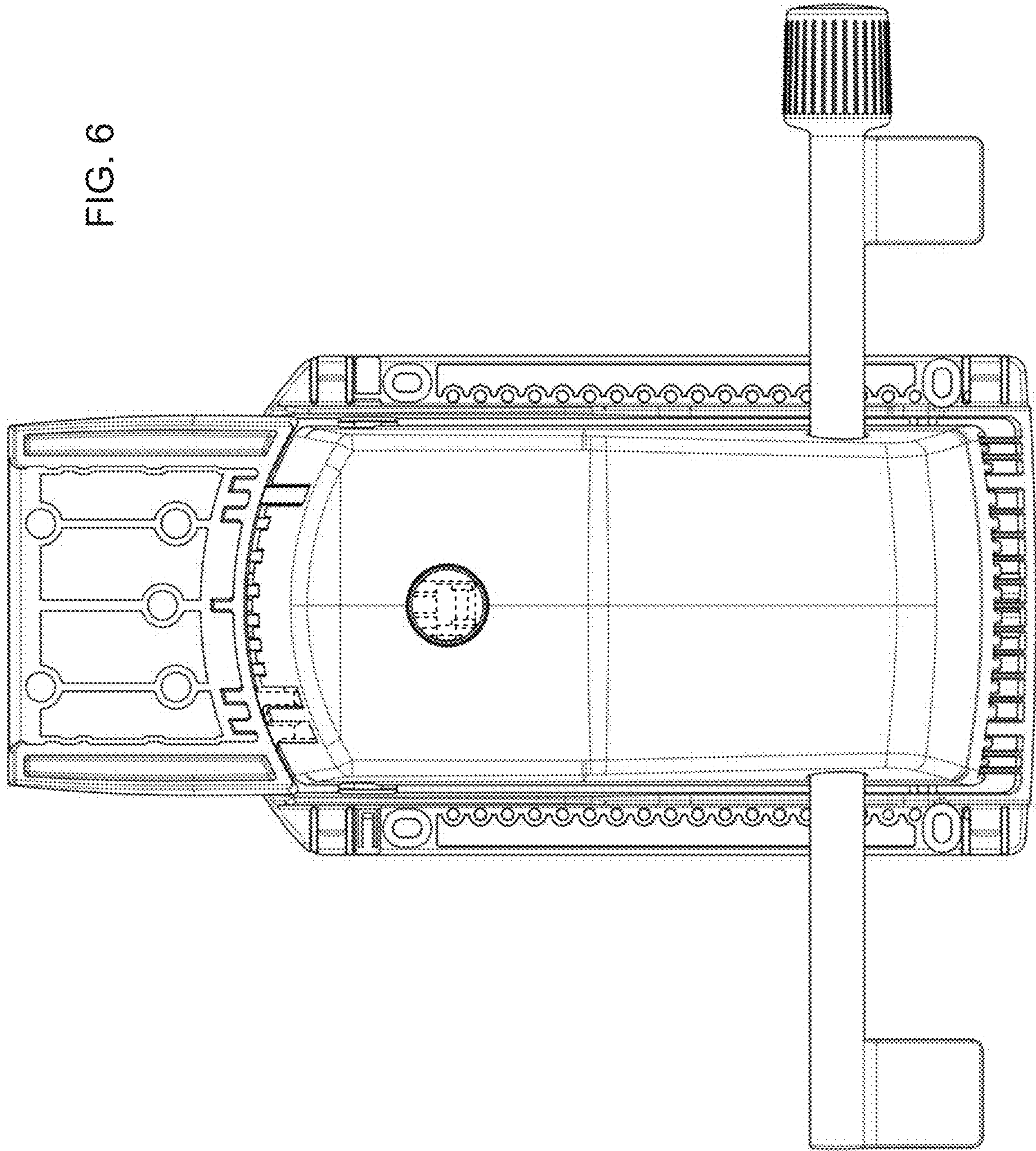




FIG. 7

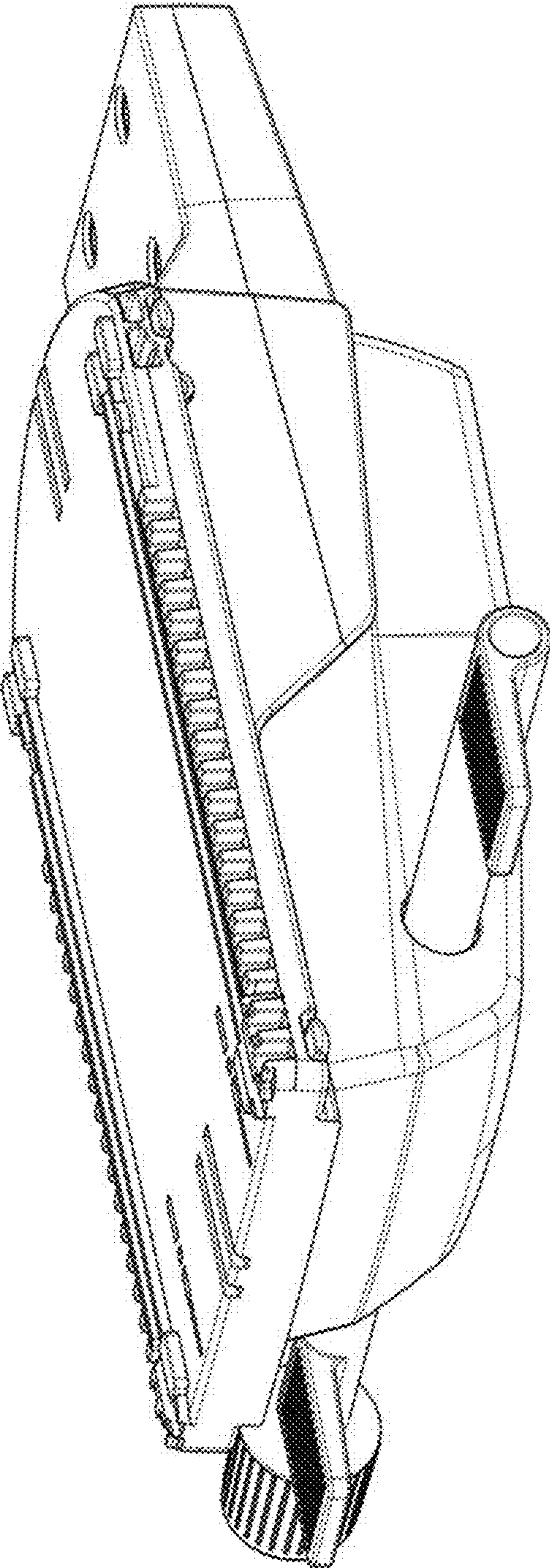




FIG. 8

