



US00D946335S

(12) **United States Design Patent** (10) **Patent No.:** **US D946,335 S**
Samikkannu et al. (45) **Date of Patent:** **** Mar. 22, 2022**

(54) **STOOL**
(71) Applicant: **AMTAB MANUFACTURING CORPORATION**, Bensenville, IL (US)
(72) Inventors: **Doss Samikkannu**, Bensenville, IL (US); **Gregory Rajkiewicz**, Bensenville, IL (US); **Jeremias C. Rivera, Jr.**, Bensenville, IL (US); **Steven M. Samikkannu**, Bensenville, IL (US)

D478,732 S 8/2003 Pajerski et al.
D495,908 S 9/2004 Wu
D496,813 S 10/2004 Nakajima
6,834,916 B2 12/2004 Volkman et al.
D521,283 S 5/2006 Glass et al.
7,393,049 B2* 7/2008 Chase A47C 4/02
297/134
D583,595 S 12/2008 Knowles et al.
D595,969 S * 7/2009 Hanusiak D6/349
D681,358 S * 5/2013 Sjostrand D6/349
D701,410 S 3/2014 Smith et al.
D711,675 S 8/2014 Sato

(Continued)

(73) Assignee: **AMTAB MANUFACTURING CORPORATION**, Bensenville, IL (US)

(**) Term: **15 Years**

(21) Appl. No.: **29/741,610**

(22) Filed: **Jul. 14, 2020**

(51) **LOC (13) Cl.** **06-06**

(52) **U.S. Cl.**
USPC **D6/716.1**; D6/349

(58) **Field of Classification Search**
USPC D6/349, 350, 352, 353, 364, 332, 335,
D6/336, 362, 716-716.6, 344, 601-604;
D21/698
CPC A61G 5/12; A47C 7/5066; B60N 3/063;
B60N 3/06; B62J 25/00; B62J 25/06;
B63H 16/02

See application file for complete search history.

(56) **References Cited**

U.S. PATENT DOCUMENTS

D214,667 S * 7/1969 Robson D6/349
D217,961 S * 7/1970 Strassle D6/349
D223,064 S * 3/1972 Peterson D6/675
D243,909 S 4/1977 Gabourie
D336,166 S * 6/1993 Hollington D6/349
D439,452 S 3/2001 Turner et al.
D440,058 S 4/2001 Owens et al.

OTHER PUBLICATIONS

Mediation Seiza Bench, available in Amazon.com, date first available Mar. 24, 2019 [online], Retrieved on Nov. 16, 2021 from URL: <https://www.amazon.com/meditation-bench-Meditation-Adjustable-Lightweight/dp/B07F2RVY3H/> (Year: 2019).*

Primary Examiner — Vy N Koenig

Assistant Examiner — Michelle M Reeves

(74) *Attorney, Agent, or Firm* — Barnes & Thornburg LLP

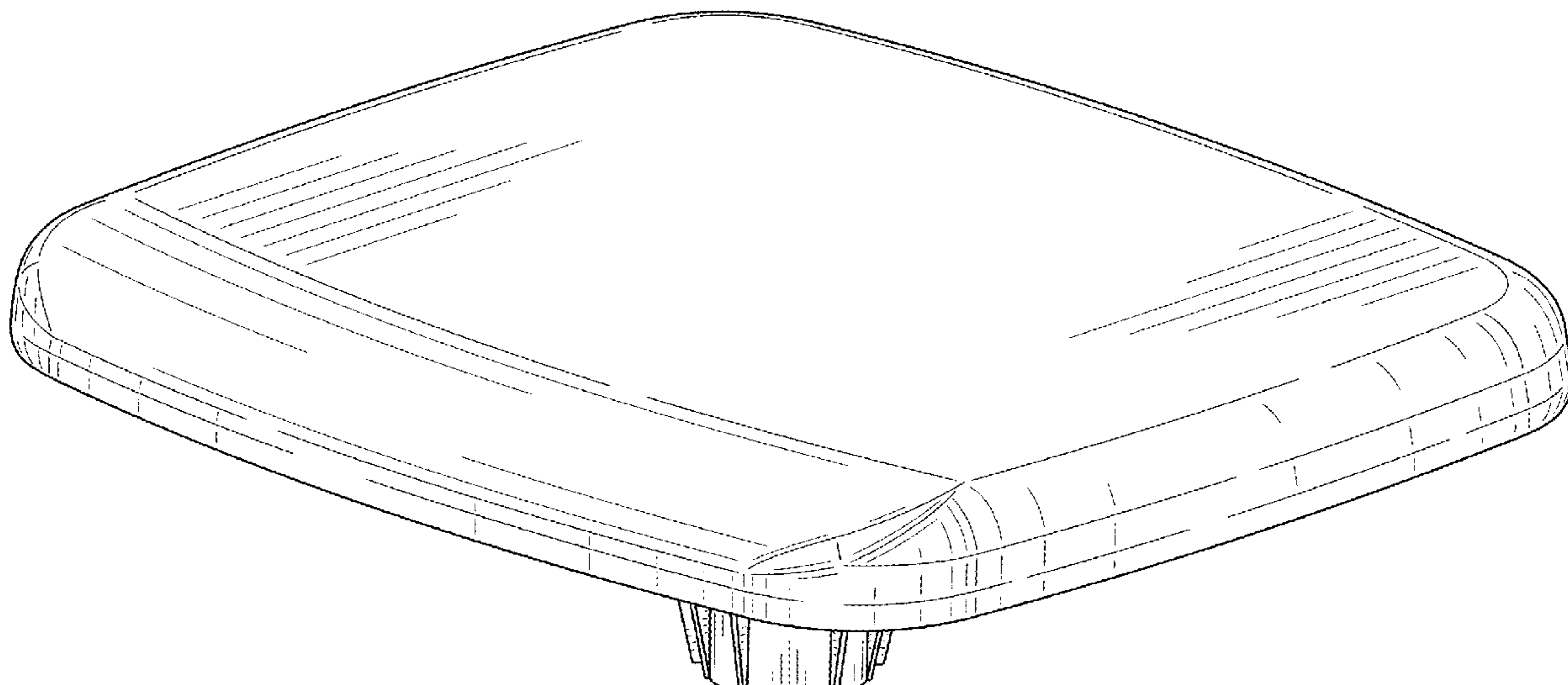
(57) **CLAIM**

We claim the ornamental design for a stool, as shown and described.

DESCRIPTION

FIG. 1 is an upper perspective view of a stool in accordance with our new design;
FIG. 2 is a lower perspective view of the stool of FIG. 1;
FIG. 3 is a front elevation view of the stool of FIG. 1;
FIG. 4 is a rear elevation view of the stool of FIG. 1;
FIG. 5 is a left side elevation view of the stool of FIG. 1, the right side elevation being a mirror image;
FIG. 6 is a top plan view of the stool of FIG. 1; and,
FIG. 7 is a bottom plan view of the stool of FIG. 1.

1 Claim, 6 Drawing Sheets



(56)

References Cited

U.S. PATENT DOCUMENTS

D713,664	S	9/2014	Vetter et al.	
D725,923	S	4/2015	Kaye	
D725,924	S	4/2015	Kaye	
D725,925	S	4/2015	Kaye	
D729,531	S	5/2015	Veatch	
D748,421	S	2/2016	Warner	
D763,029	S	8/2016	Dickey	
D790,238	S	6/2017	Little et al.	
D796,884	S	9/2017	Dickey	
10,010,180	B2 *	7/2018	Anastos	A47C 9/10
10,039,382	B2	8/2018	Dickey	
D893,932	S	8/2020	Rajkiewicz et al.	
D929,164	S *	8/2021	Dickey	D6/716.1
2016/0302576	A1 *	10/2016	Dickey	A47C 7/16

* cited by examiner

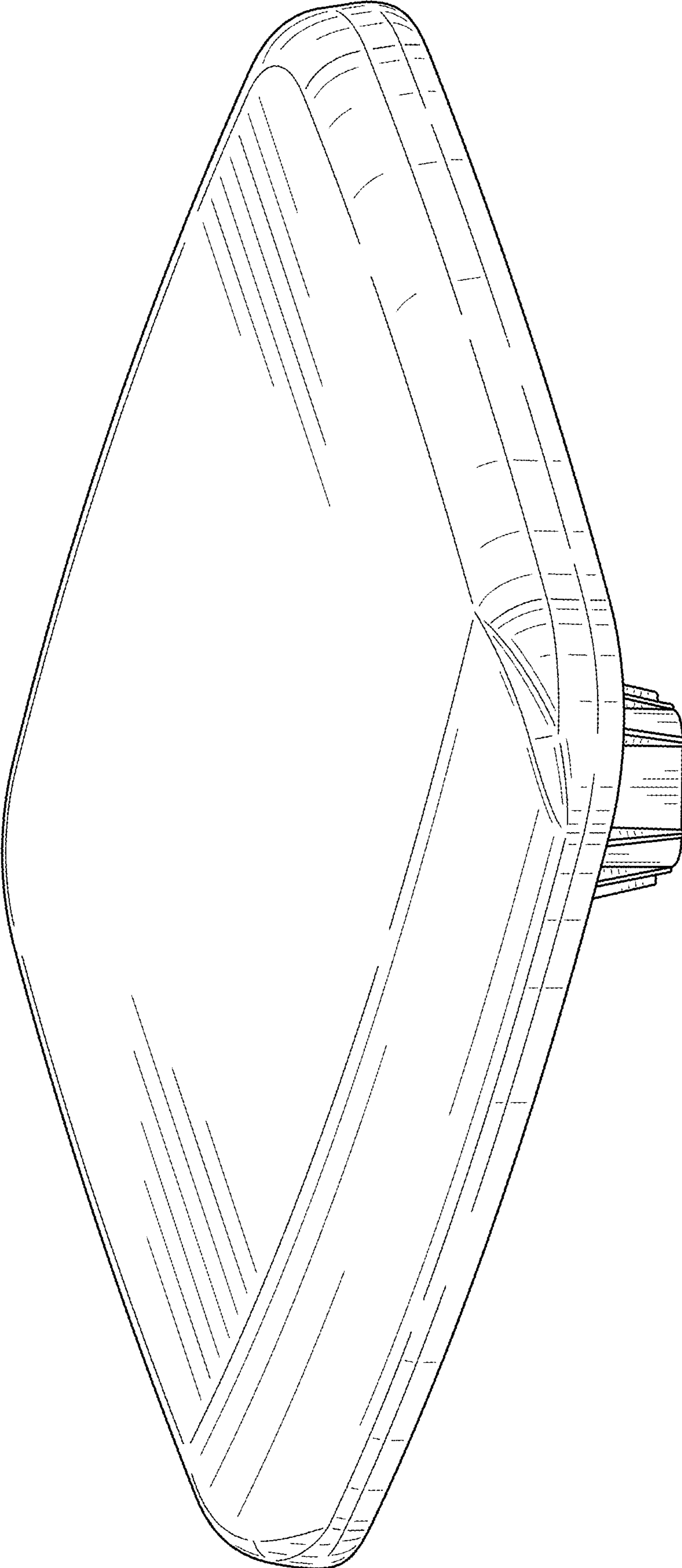


FIG. 1

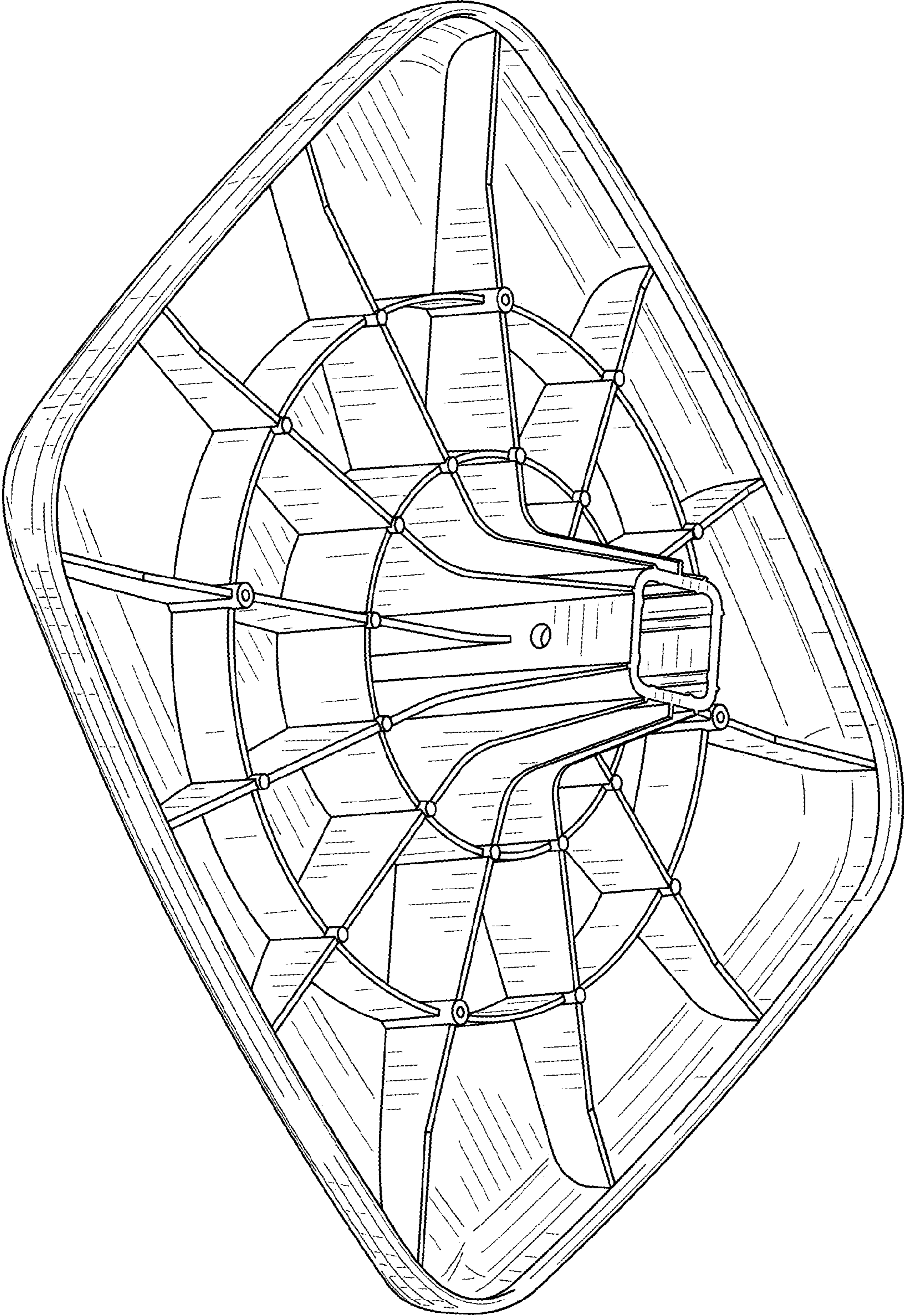


FIG. 2

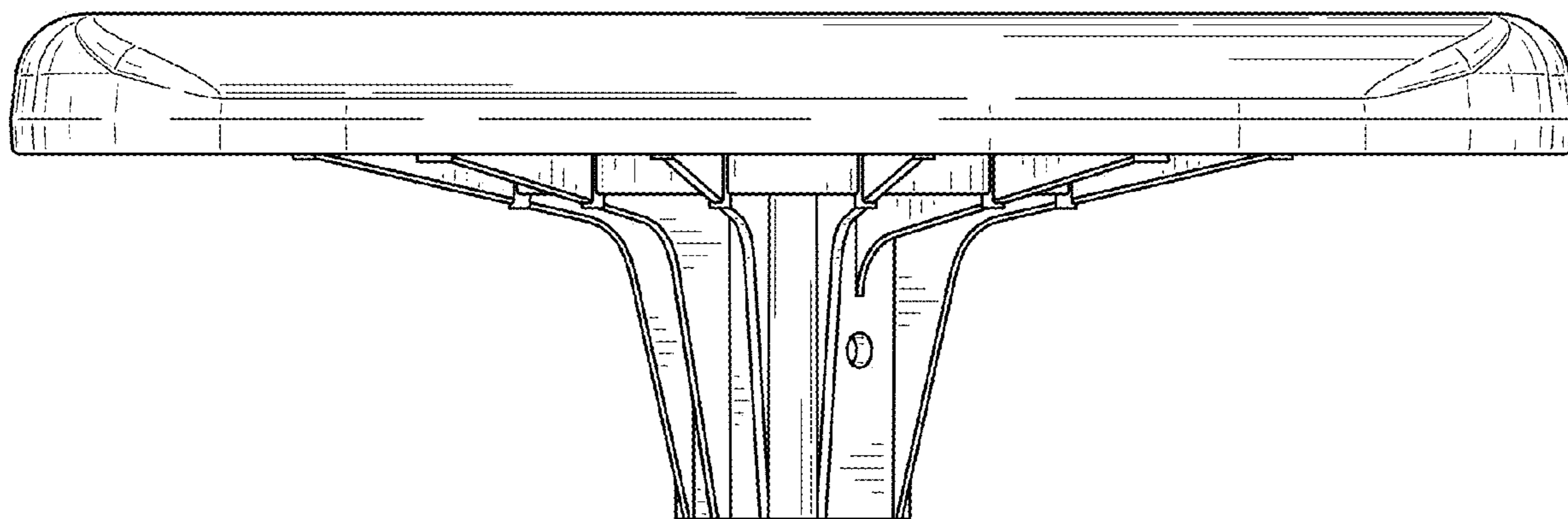


FIG. 3

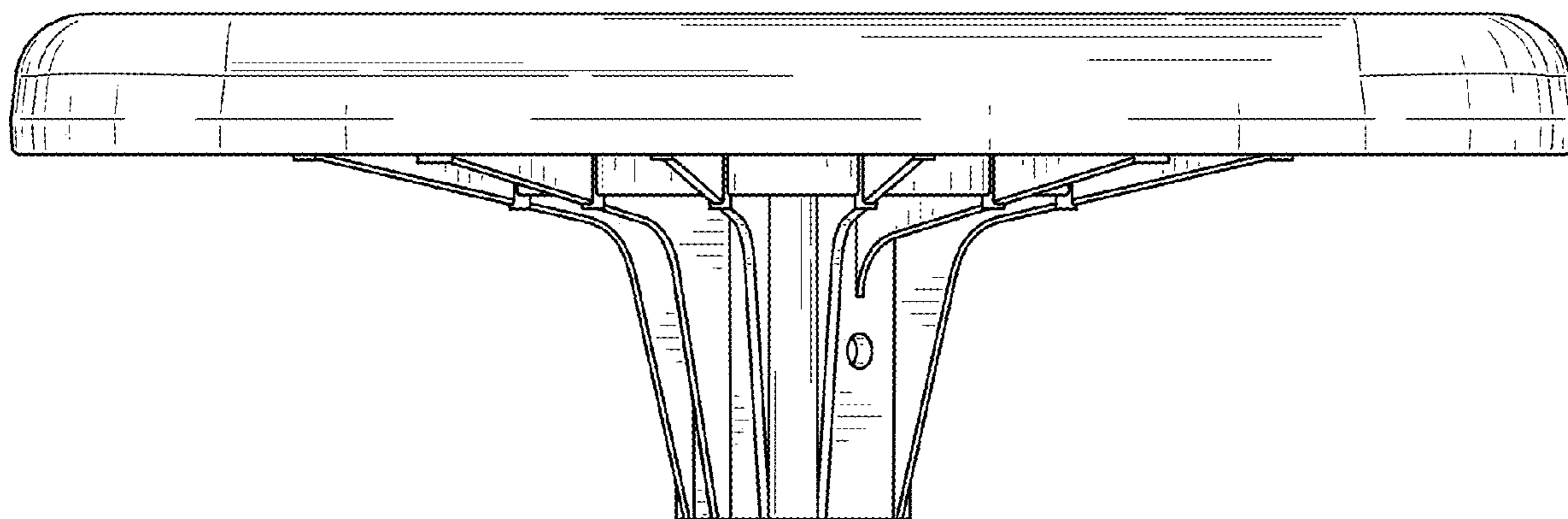


FIG. 4

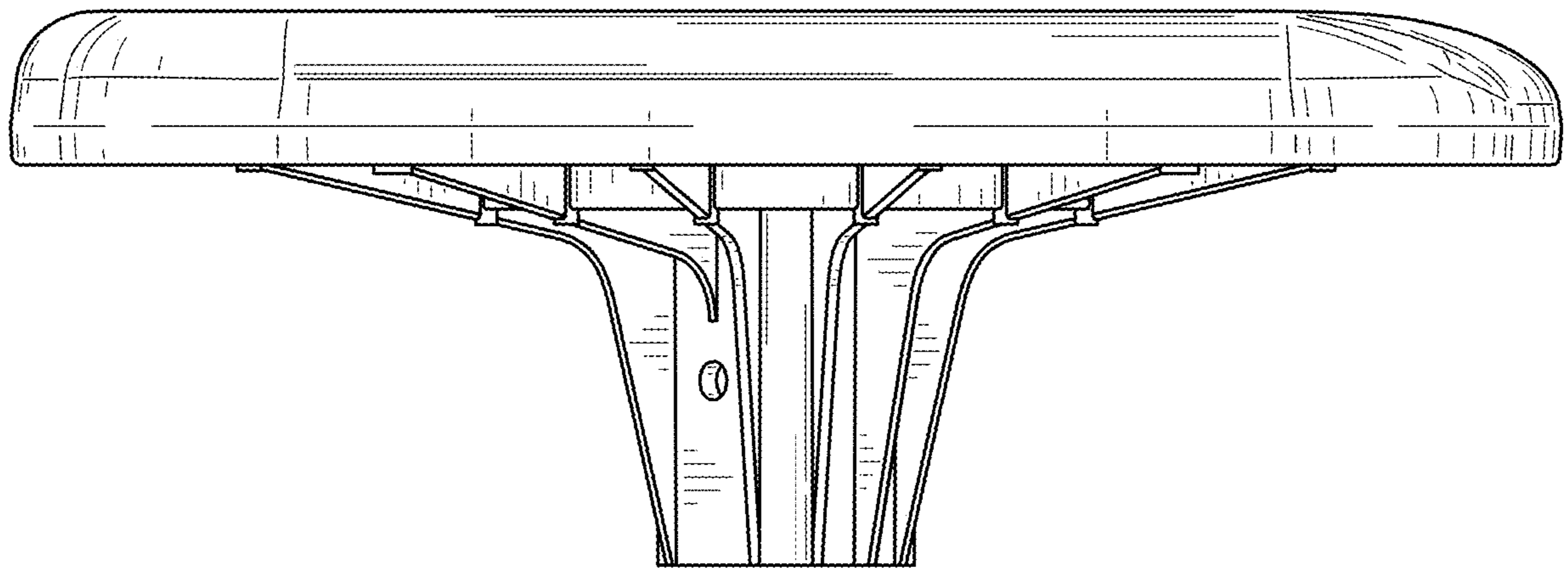


FIG. 5

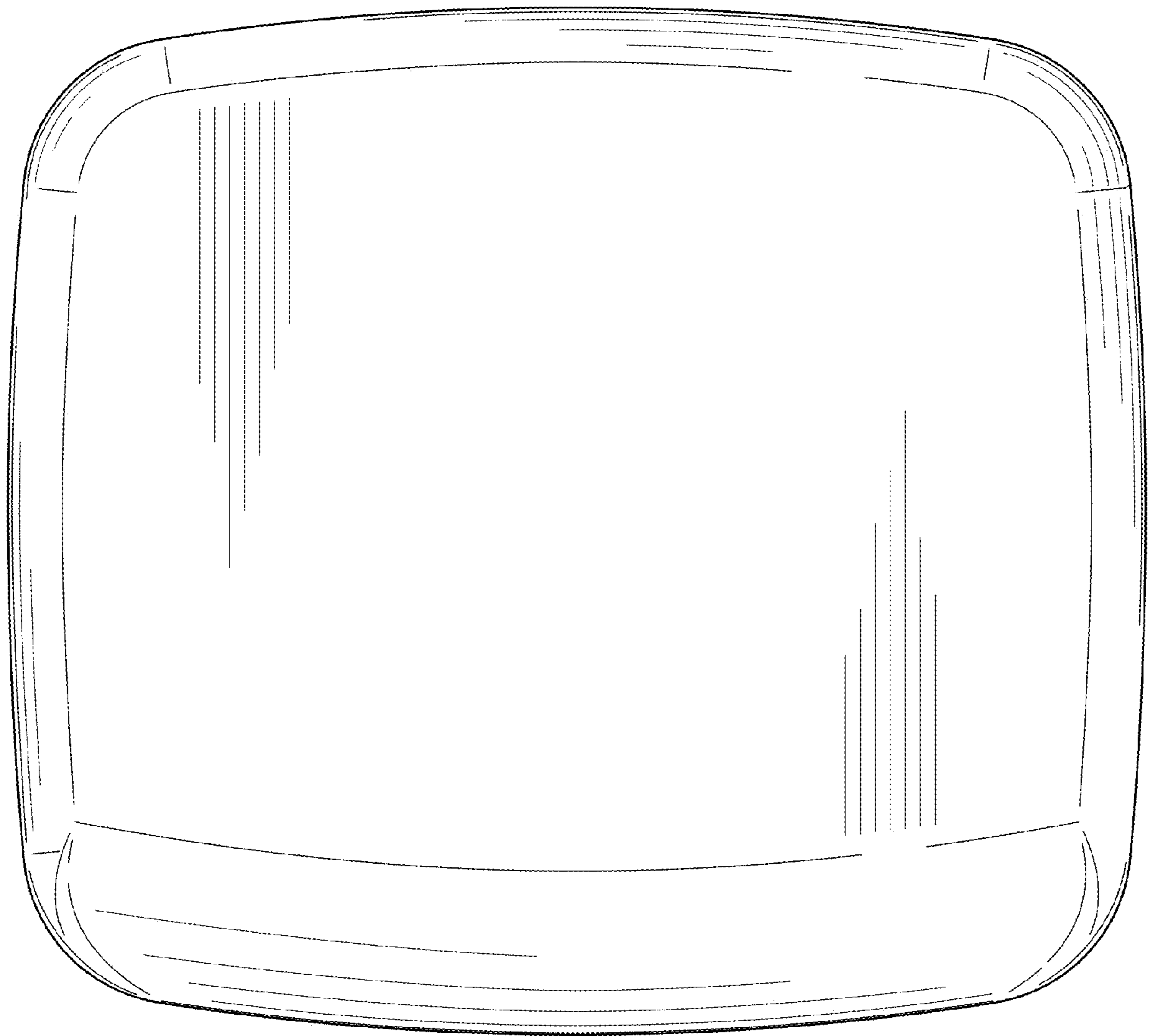


FIG. 6

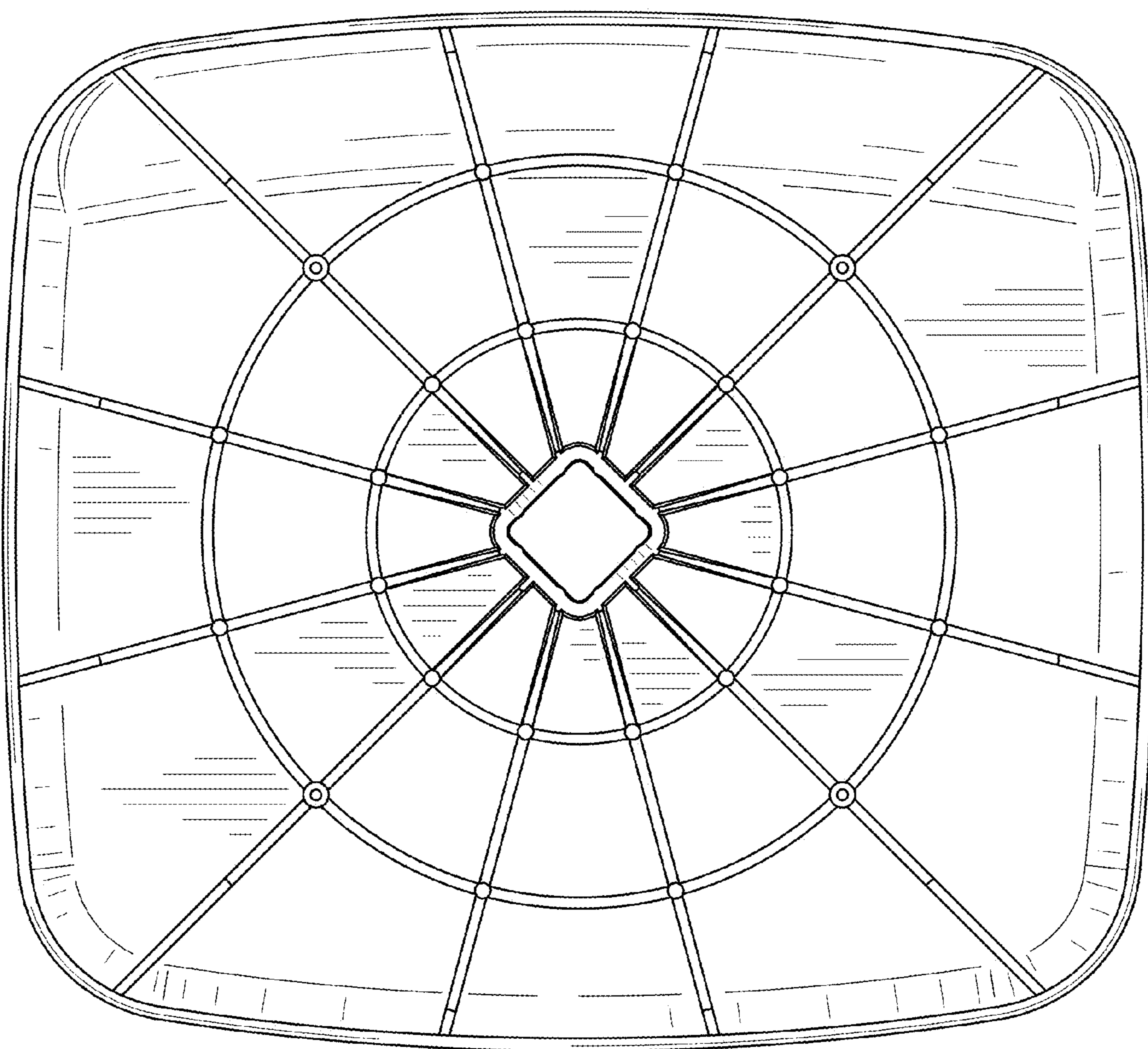


FIG. 7