



US00D946333S

(12) **United States Design Patent**
Leone et al.

(10) **Patent No.:** **US D946,333 S**
(45) **Date of Patent:** **** Mar. 22, 2022**

(54) **SMART SHELF**

(71) Applicant: **HCL TECHNOLOGIES ITALY**
S.P.A., Milan (IT)

(72) Inventors: **Vincenzina Leone**, Rome (IT); **Elvira Zanin**, Rome (IT); **Francesco Valentini**, Rome (IT); **Emanuele Fonticoli**, Rome (IT)

(73) Assignee: **HCL TECHNOLOGIES ITALY**
S.P.A., Milan (IT)

(**) Term: **15 Years**

(21) Appl. No.: **29/717,644**

(22) Filed: **Dec. 18, 2019**

(51) **LOC (13) Cl.** **06-06**

(52) **U.S. Cl.**
USPC **D6/705**

(58) **Field of Classification Search**
USPC D3/304–205, 307–309, 311–312,
D3/314–315; D6/672, 675, 675.1, 702,
D6/705

CPC B65D 1/22; B65D 21/00; B65D 21/02;
A47B 47/00; A47B 47/0008; A47B
47/0016; A47B 96/00; A47B 96/02

See application file for complete search history.

(56) **References Cited**

U.S. PATENT DOCUMENTS

- 3,736,035 A * 5/1973 Brown A47B 97/001
312/107
- D232,405 S * 8/1974 Leikarts et al. D6/675
- D267,992 S * 2/1983 Shelton D6/675
- 4,572,597 A * 2/1986 Voigt H05K 5/04
312/257.1
- D393,381 S * 4/1998 Santoro D6/675.1
- D455,292 S * 4/2002 Hardy D6/675

- D745,903 S * 12/2015 Armani D15/122
- D780,488 S * 3/2017 Celano D6/672
- D833,183 S * 11/2018 Song D6/675
- D867,793 S * 11/2019 Davis D6/675
- D899,773 S * 10/2020 Hu D3/304
- 2020/0140139 A1* 5/2020 Lilholt B65D 11/00
- 2020/0239225 A1* 7/2020 Van Der Berg B65D 88/524

* cited by examiner

Primary Examiner — Kelley A Donnelly

(74) *Attorney, Agent, or Firm* — Kendal Sheets

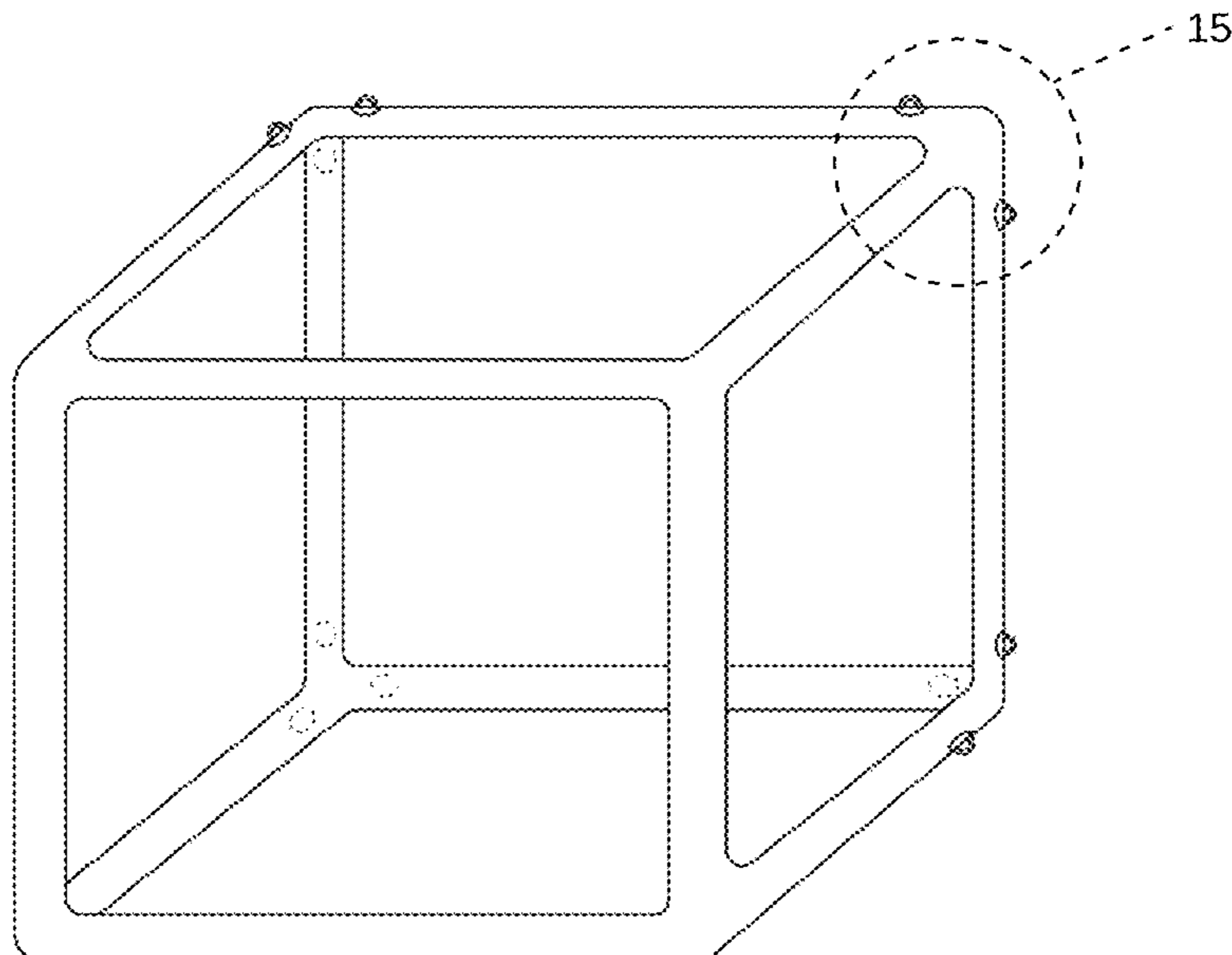
(57) **CLAIM**

We claim the ornamental design for a smart shelf, as shown and described.

DESCRIPTION

FIG. 1 is front perspective view of a smart shelf;
 FIG. 2 is a rear perspective view thereof;
 FIG. 3 is a top view thereof;
 FIG. 4 is a bottom view thereof;
 FIG. 5 is a right view thereof;
 FIG. 6 is a left view thereof;
 FIG. 7 is a front view thereof;
 FIG. 8 is a back view thereof;
 FIG. 9 is a back perspective view showing an enlarged view of a corner feature;
 FIG. 10 is a back perspective view showing an enlarged view of a corner feature;
 FIG. 11 is a back perspective view showing an enlarged view of a corner feature;
 FIG. 12 is a back perspective view showing an enlarged view of a corner feature;
 FIG. 13 is a back perspective view showing an enlarged view of a corner feature;
 FIG. 14 is a back perspective view showing an enlarged view of a corner feature; and,
 FIG. 15 is an enlarged sectional view of a portion of FIG. 1.

1 Claim, 15 Drawing Sheets



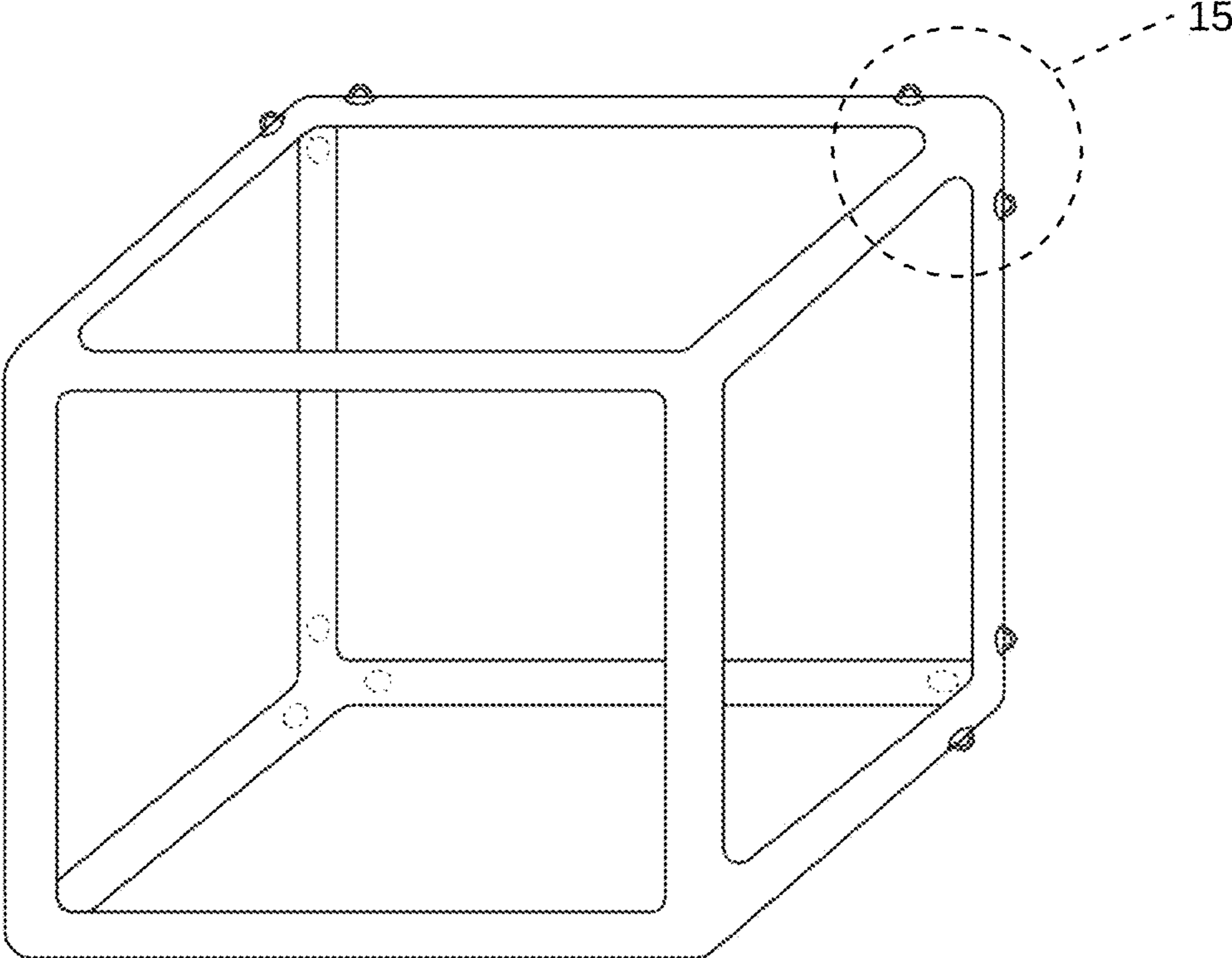


FIG. 1

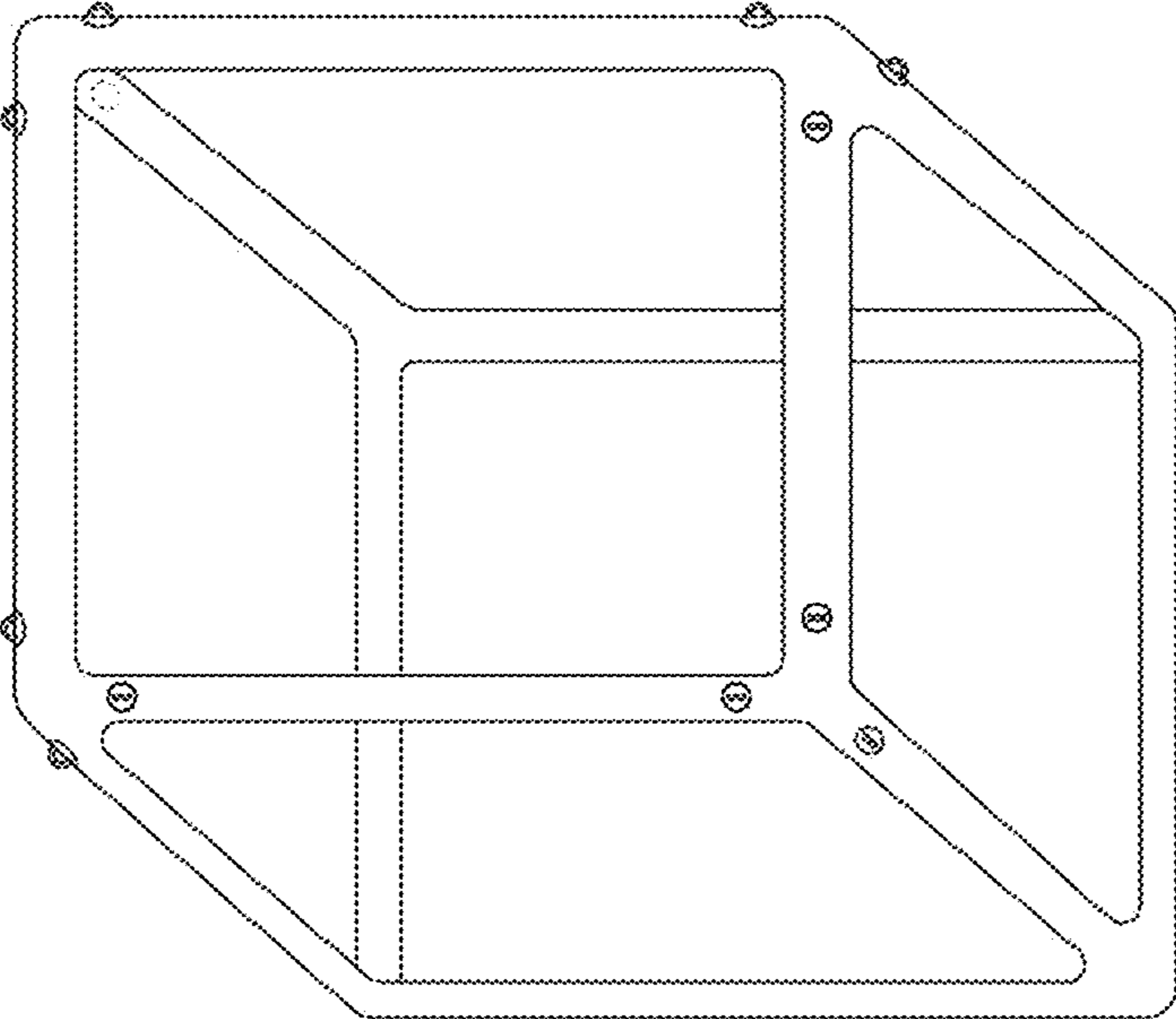


FIG. 2

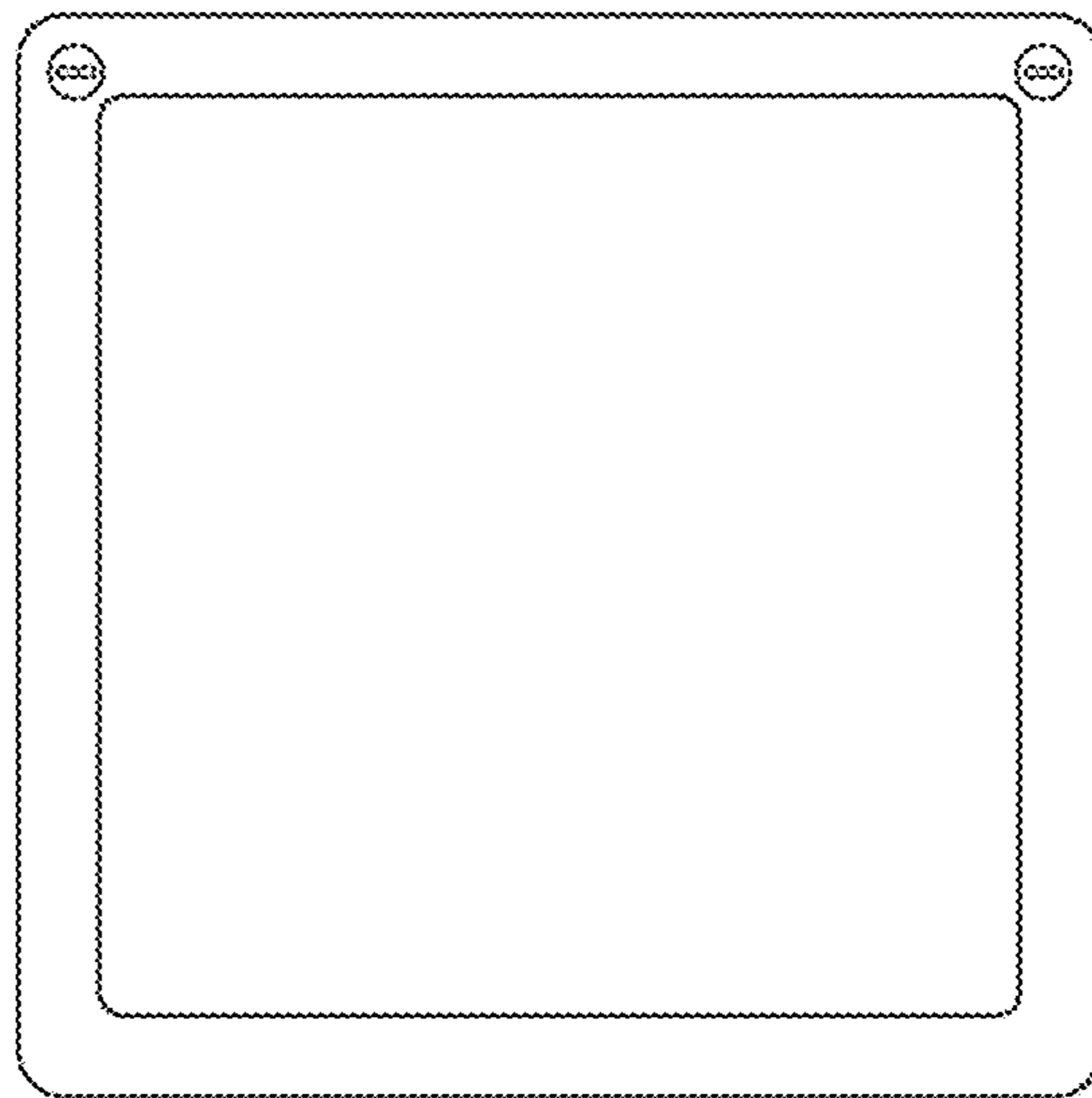


FIG. 3

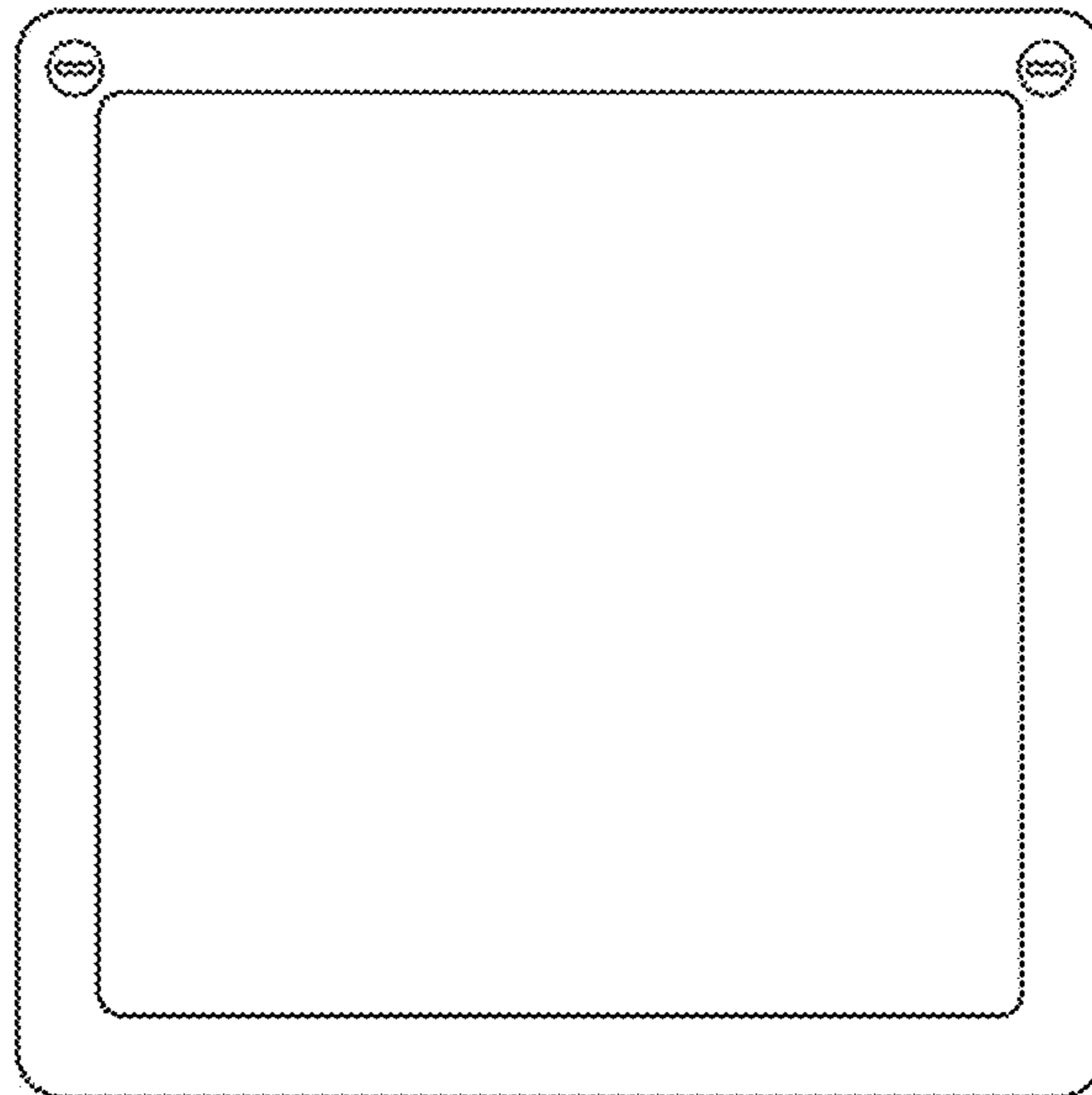


FIG. 4

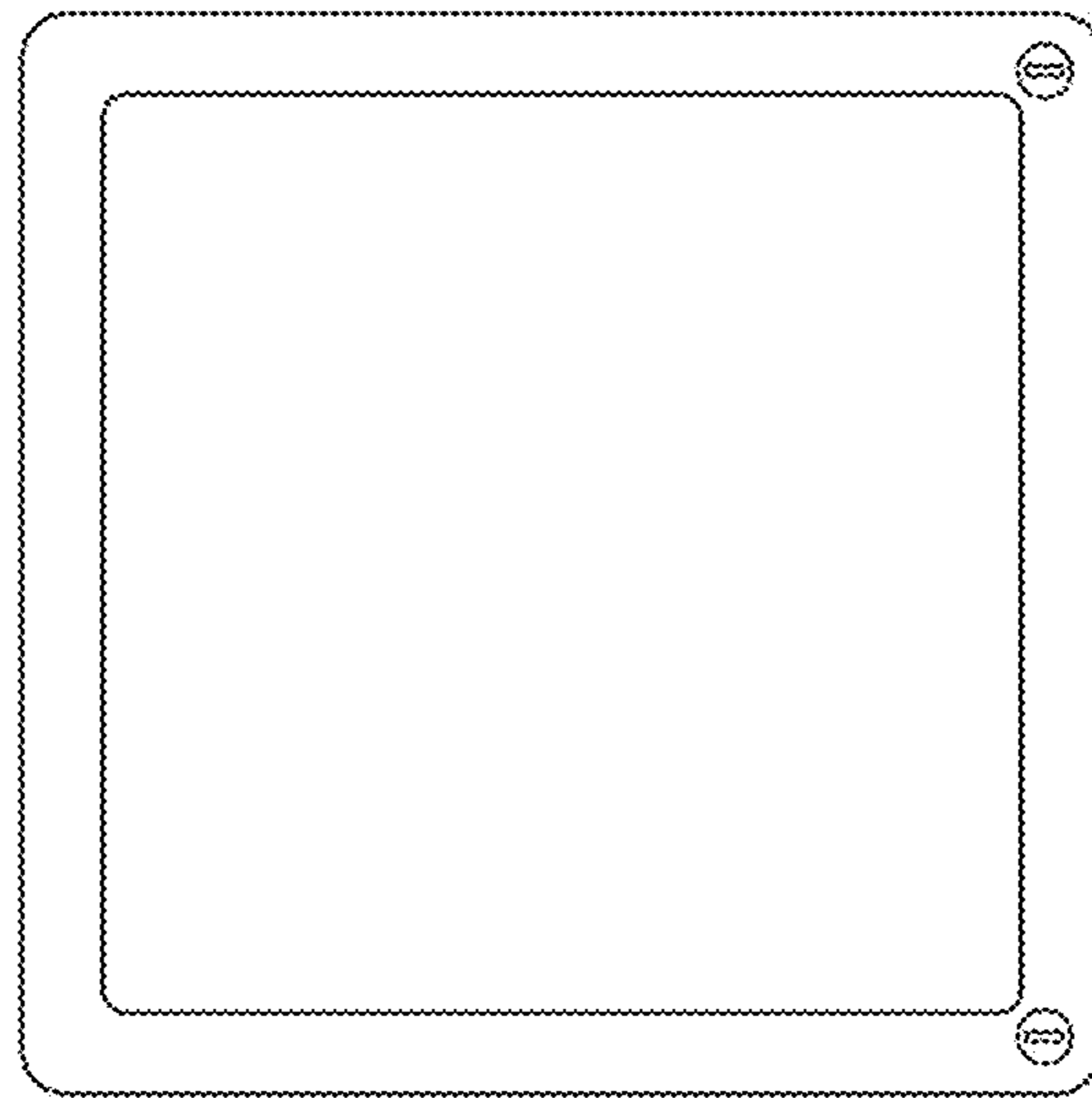


FIG. 5

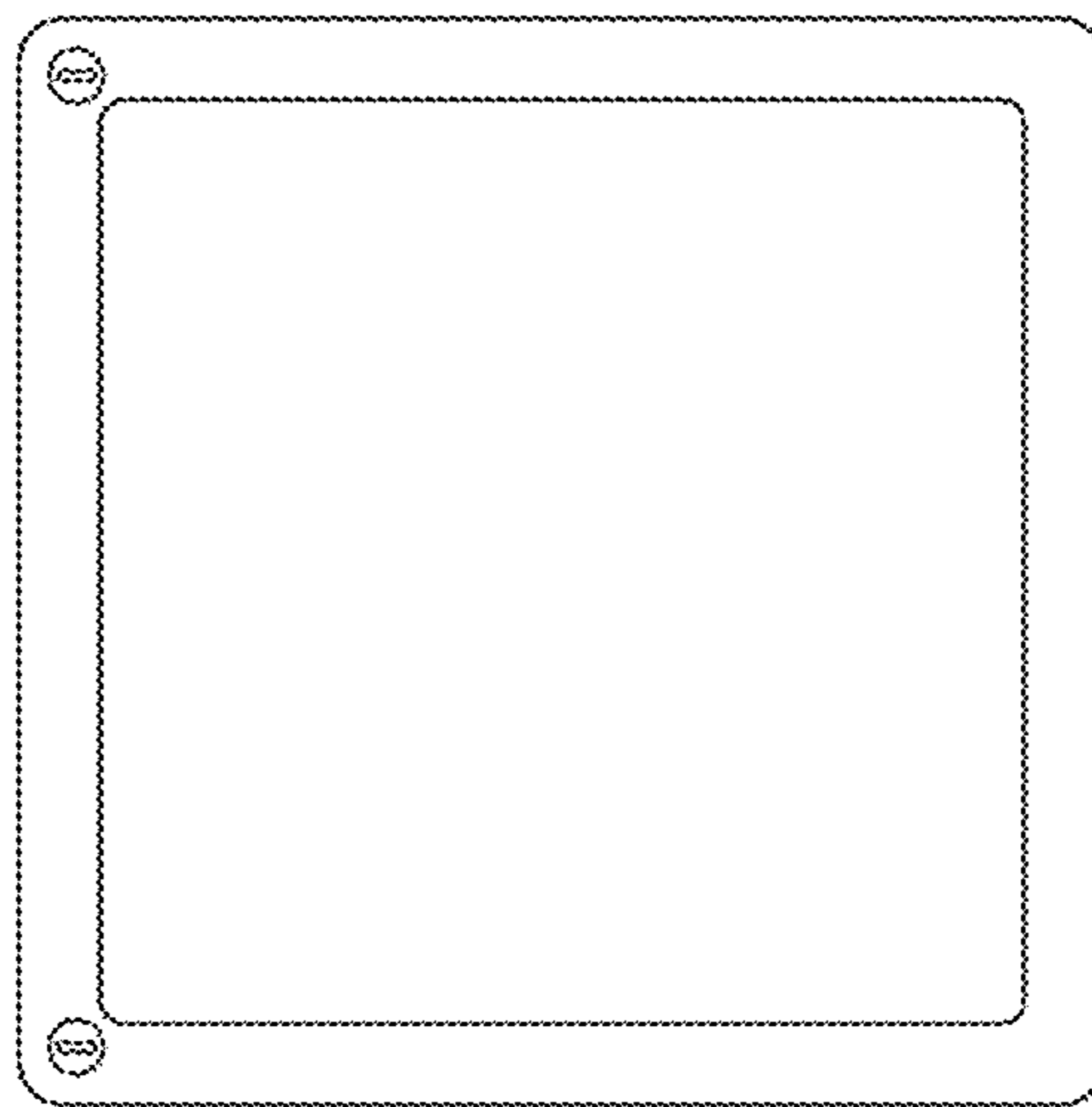


FIG. 6

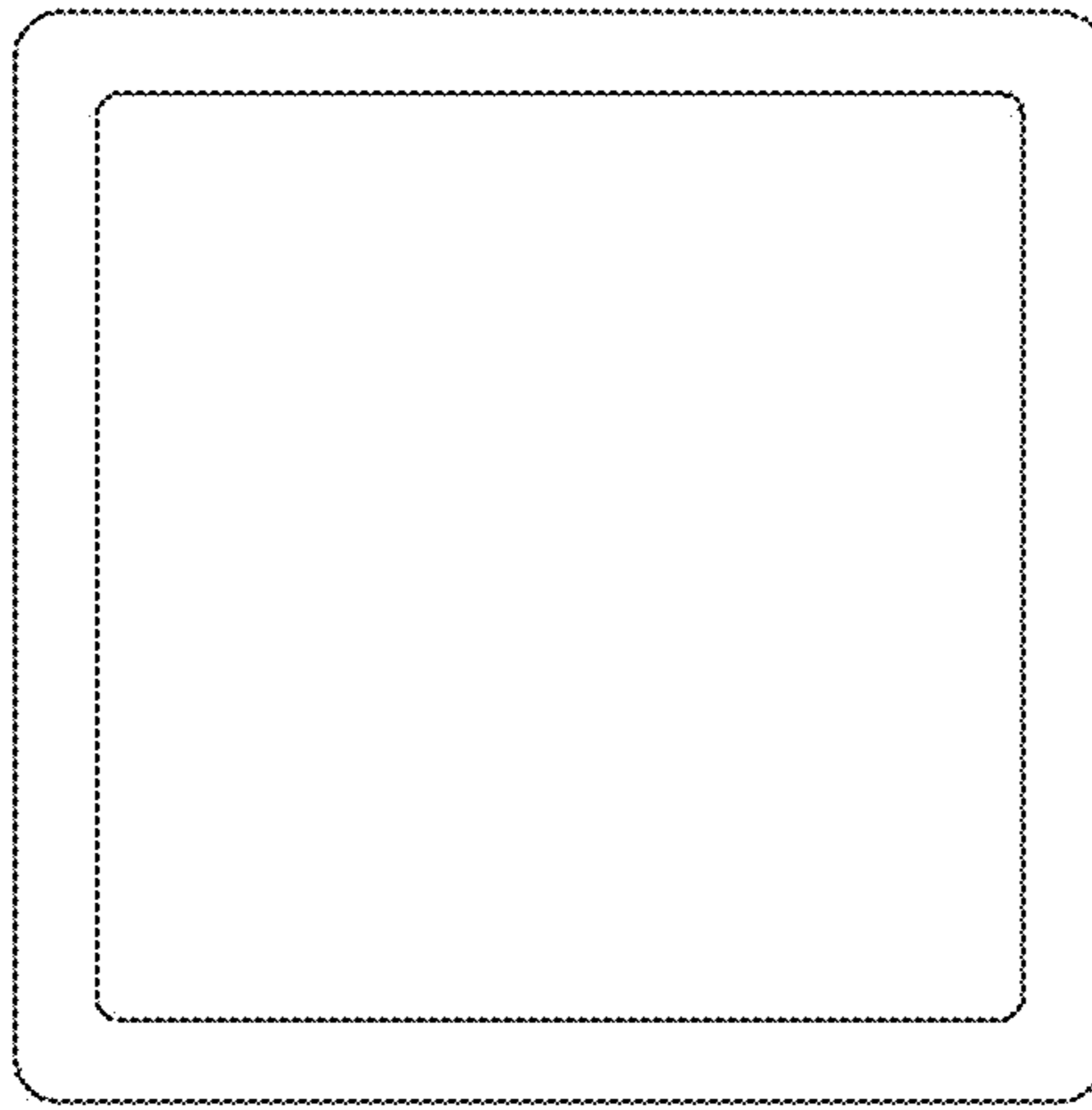


FIG. 7

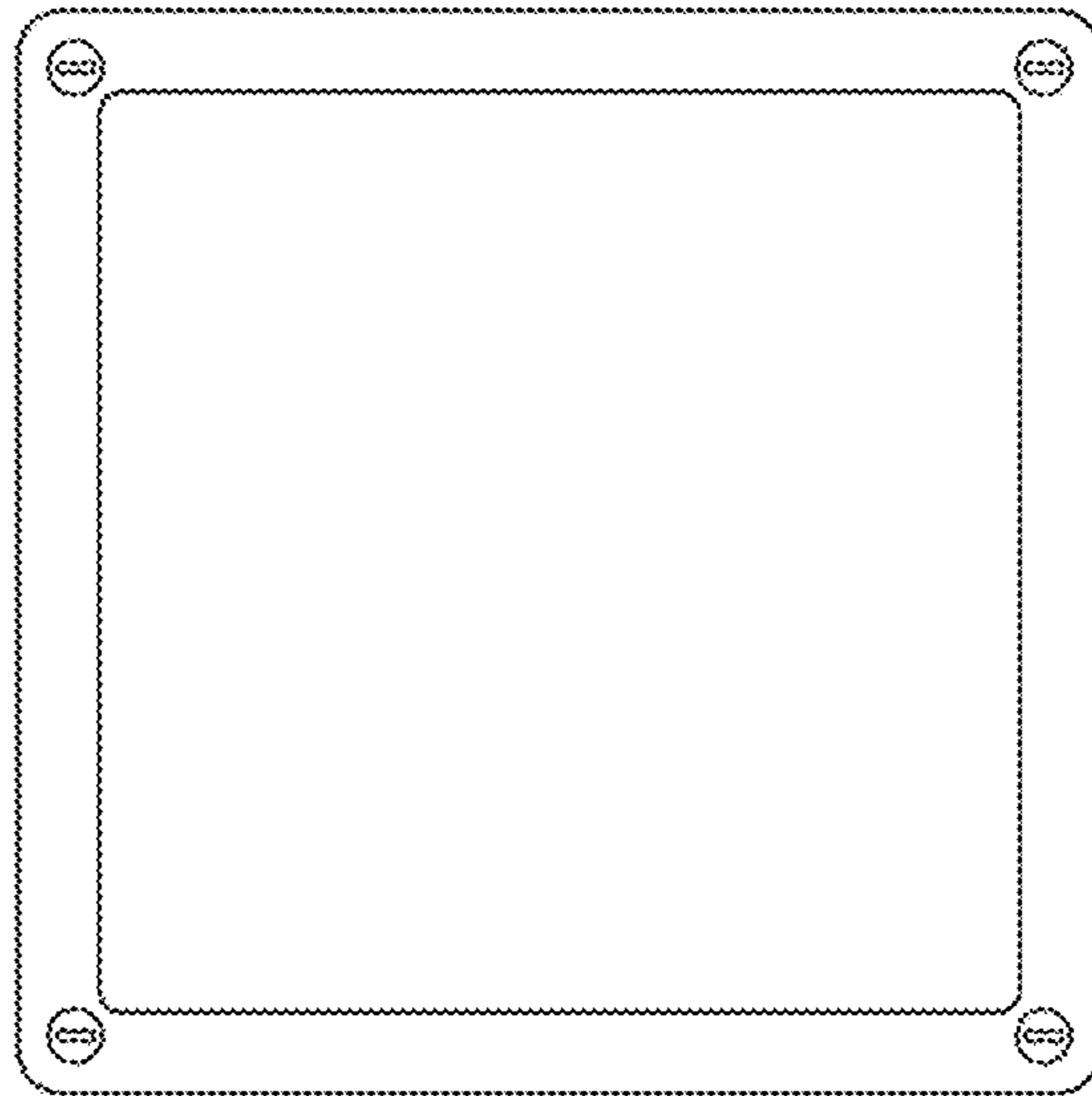


FIG. 8



FIG. 9

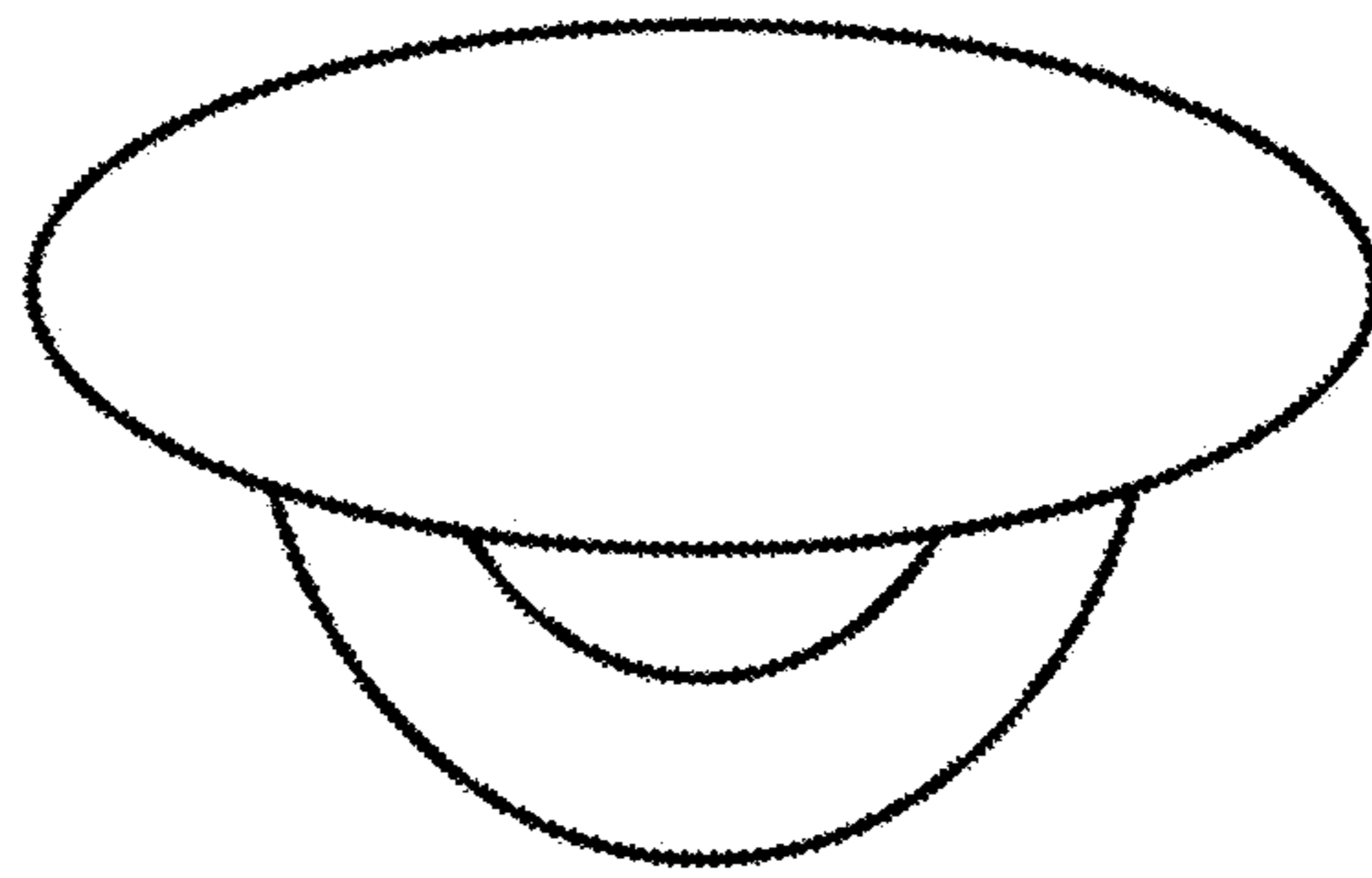


FIG. 10

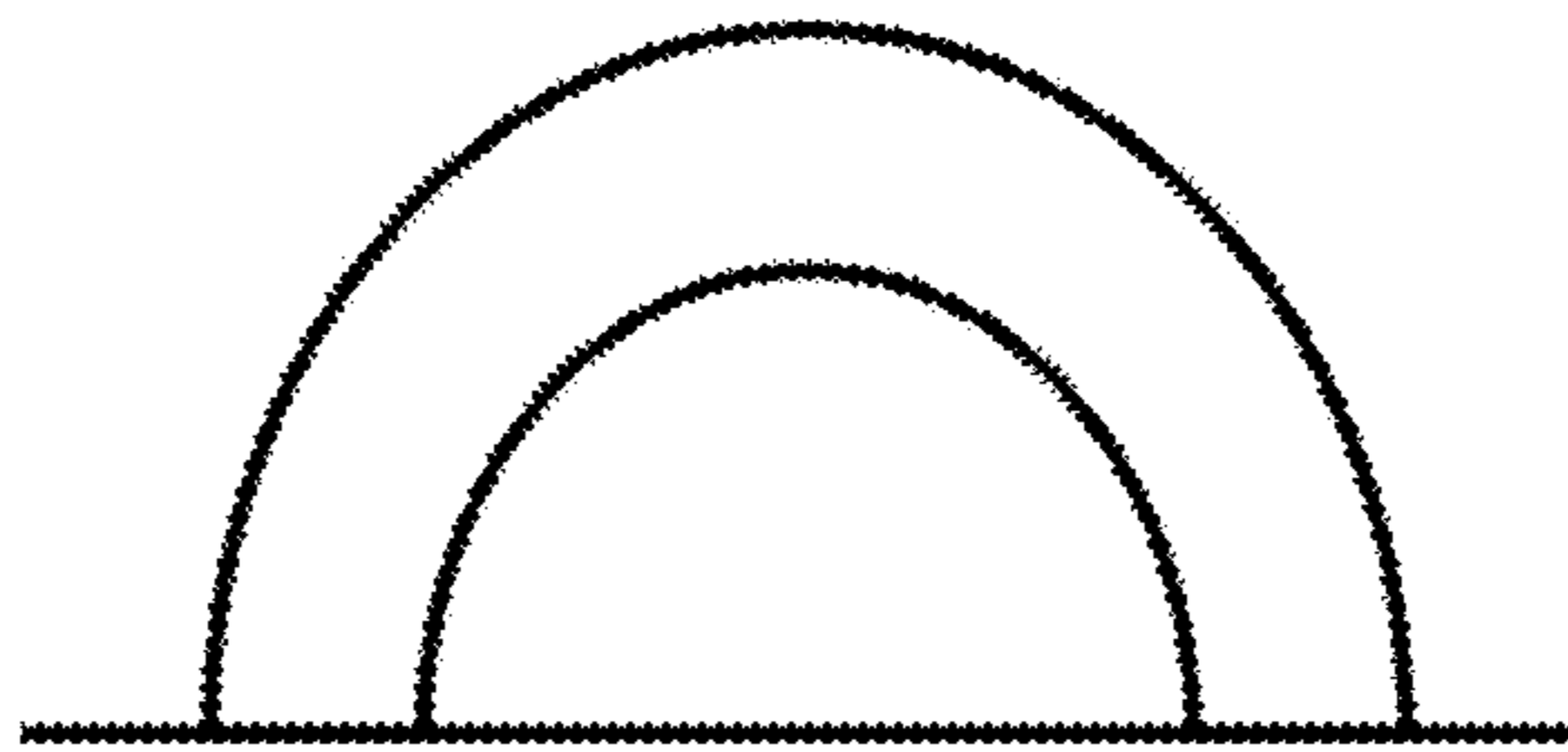


FIG. 11

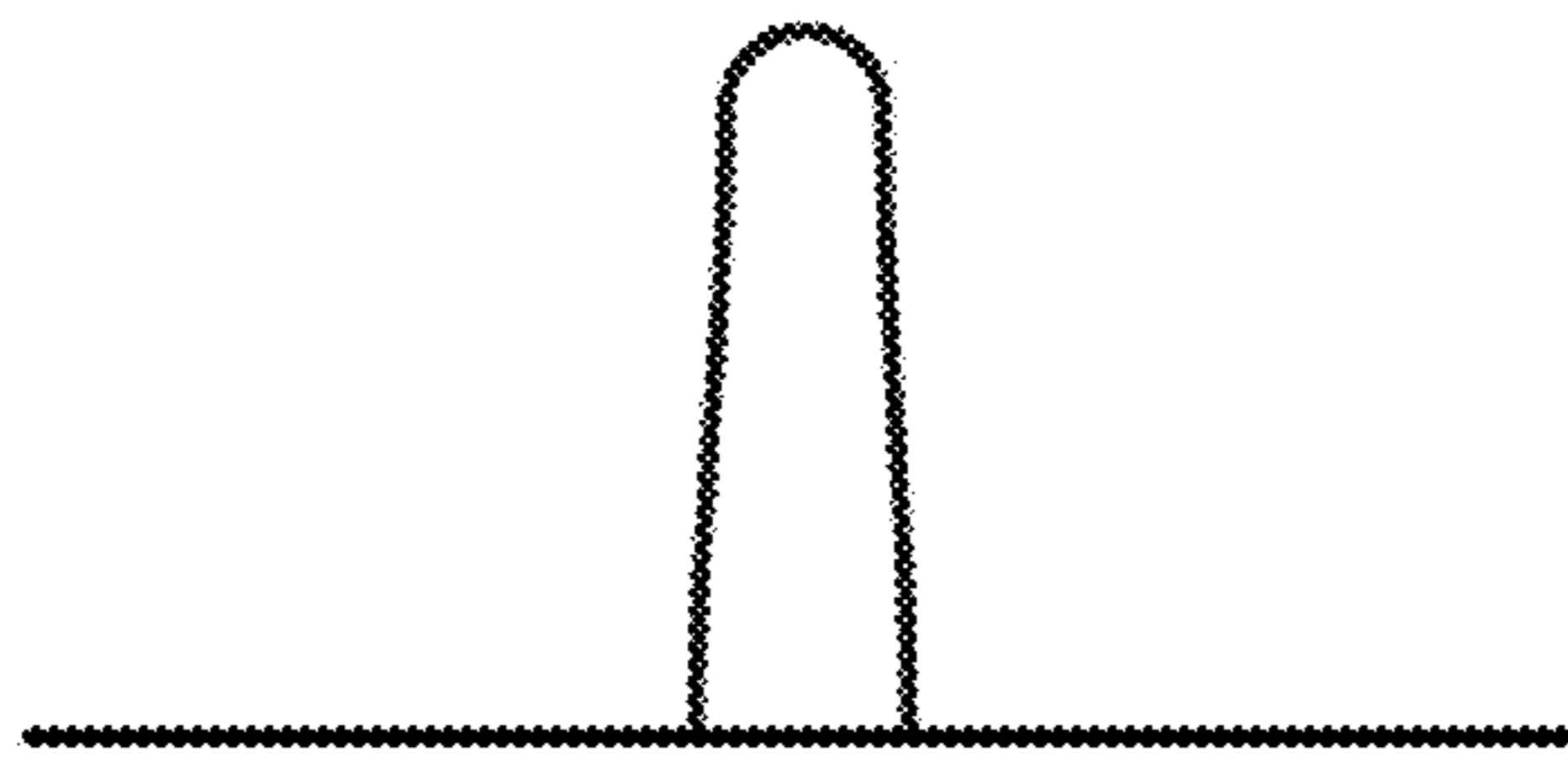


FIG. 12

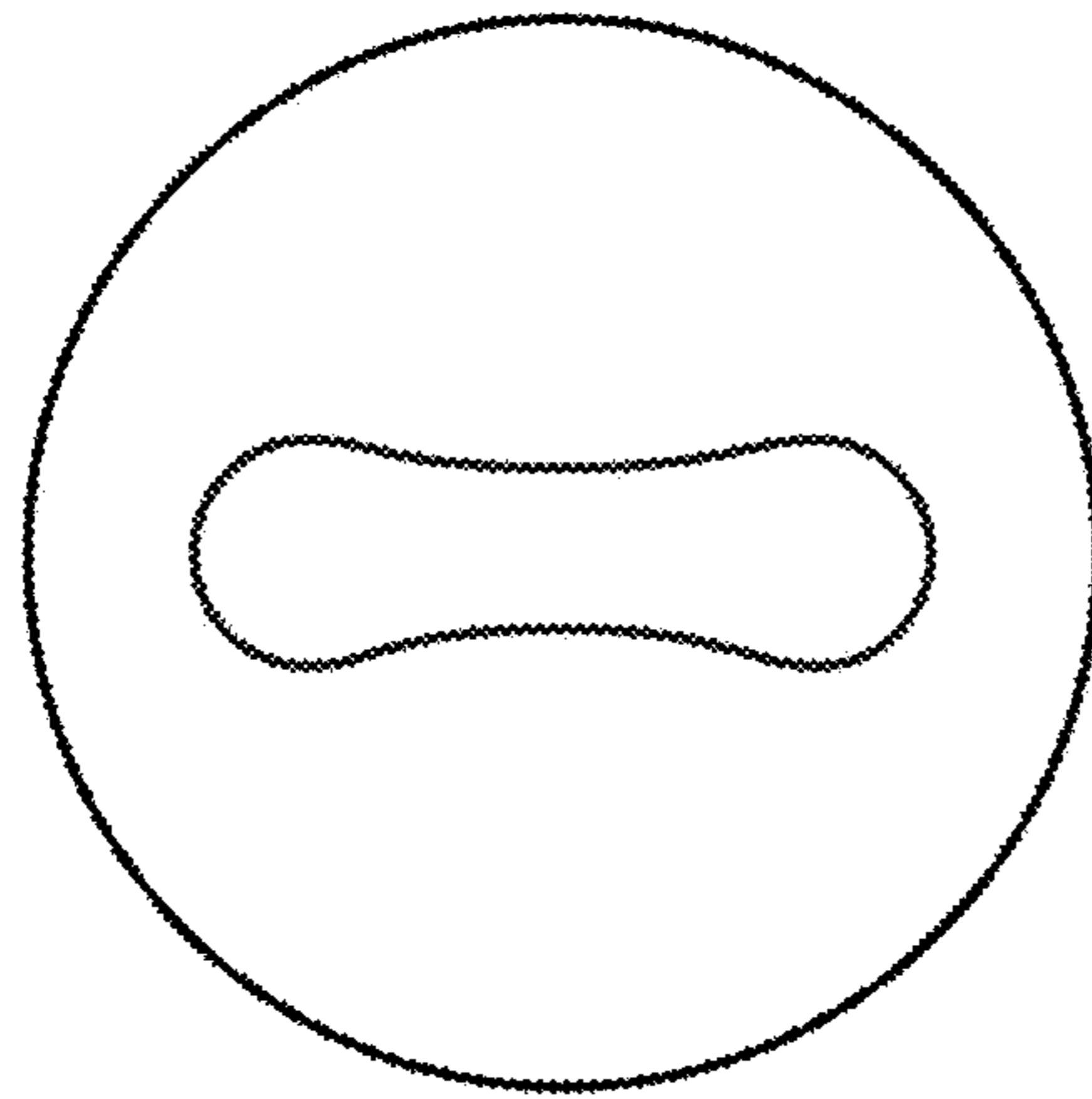


FIG. 13

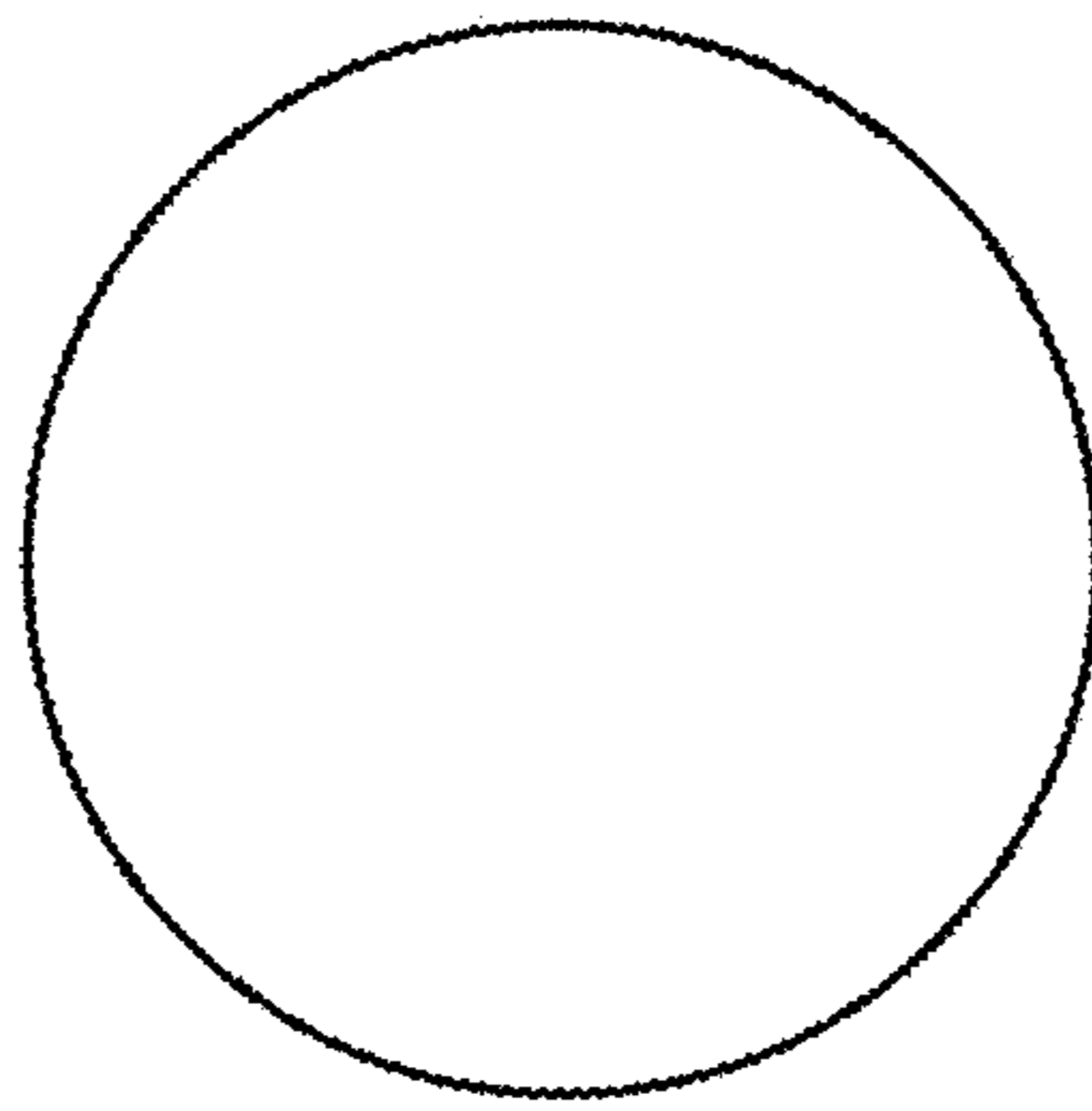


FIG. 14

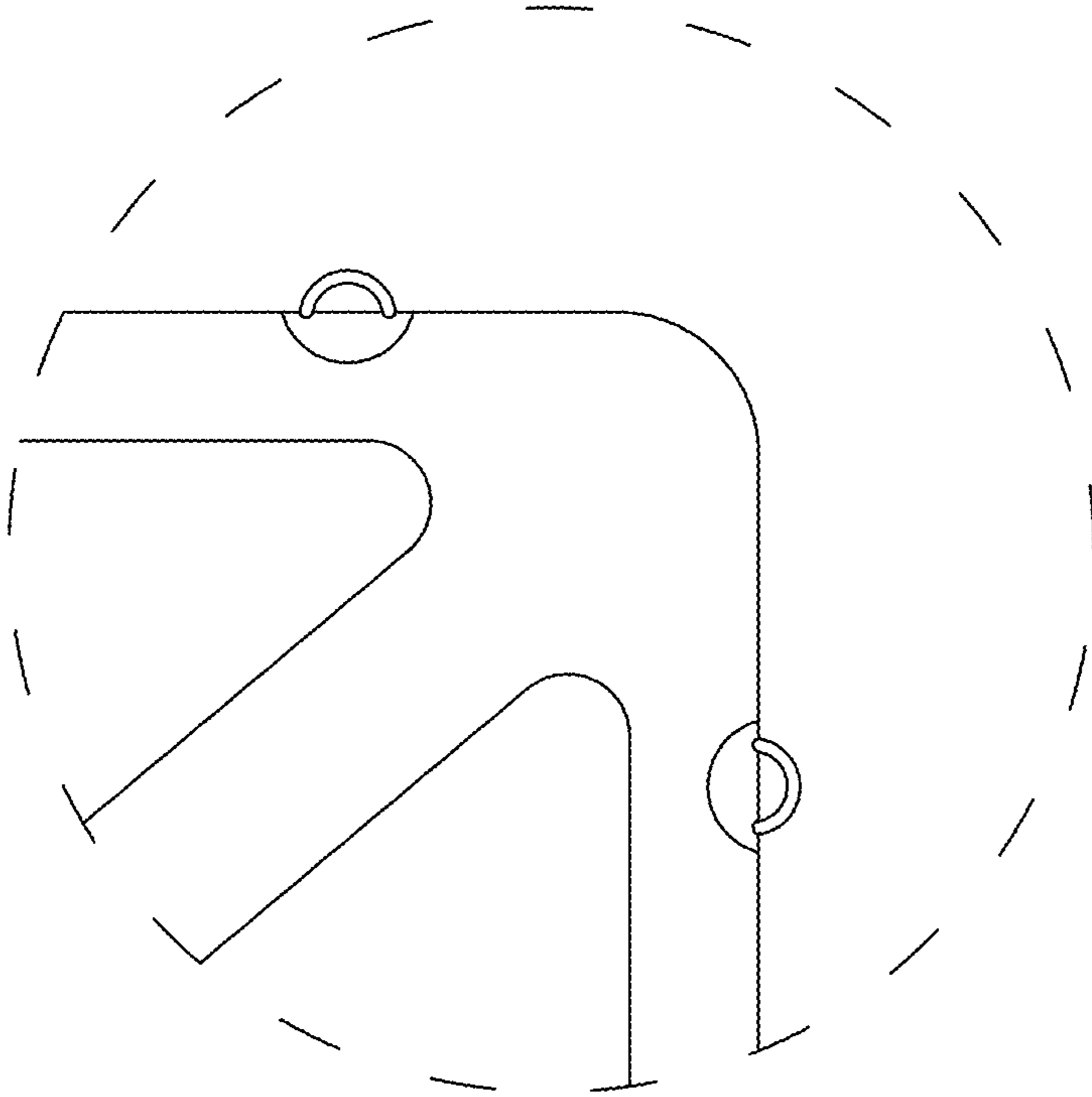


FIG. 15