



(56)

**References Cited**

## U.S. PATENT DOCUMENTS

D742,661 S \* 11/2015 Stein ..... D6/663  
D745,294 S \* 12/2015 Murray ..... D6/644  
9,524,419 B2 \* 12/2016 Chang ..... G06F 3/012  
D796,233 S \* 9/2017 Pauley ..... A47B 96/201  
D6/663  
D817,046 S \* 5/2018 Halvorson, Jr. .... D6/703  
10,006,241 B2 \* 6/2018 Tusk ..... E06B 3/721  
D841,990 S \* 3/2019 Liimatainen-Jokinen .....  
E06B 5/006  
D6/300  
D865,410 S \* 11/2019 Johnson ..... D6/667  
D870,493 S \* 12/2019 Young ..... A47B 81/002  
D6/663  
10,549,573 B2 \* 2/2020 Boychuk ..... B32B 9/00  
D884,395 S \* 5/2020 Flora ..... B32B 9/00  
D6/663  
10,653,241 B2 \* 5/2020 Janke ..... A47B 95/04  
10,709,244 B2 \* 7/2020 Tristan ..... A47B 3/06  
D895,333 S \* 9/2020 Williams ..... D6/703  
D901,956 S \* 11/2020 Tan ..... D6/703  
D904,799 S \* 12/2020 Li ..... A47B 47/0091  
D6/654.1  
D913,737 S \* 3/2021 Schwalbach ..... D6/707.19  
10,959,522 B2 \* 3/2021 George ..... A47B 81/002  
2012/0169196 A1 \* 7/2012 Marchetti ..... E06B 3/721  
312/265.6

\* cited by examiner

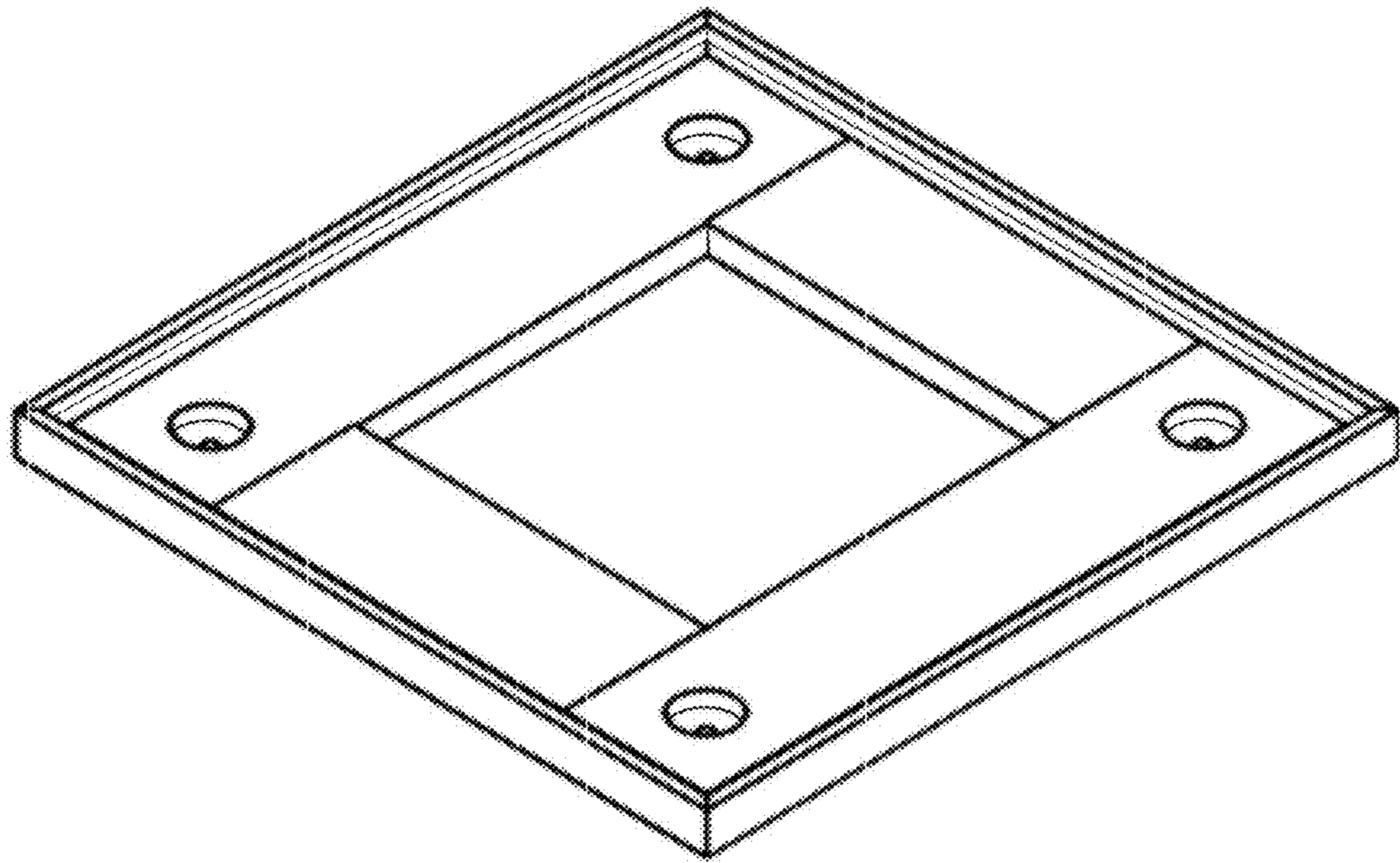


FIG. 2.1



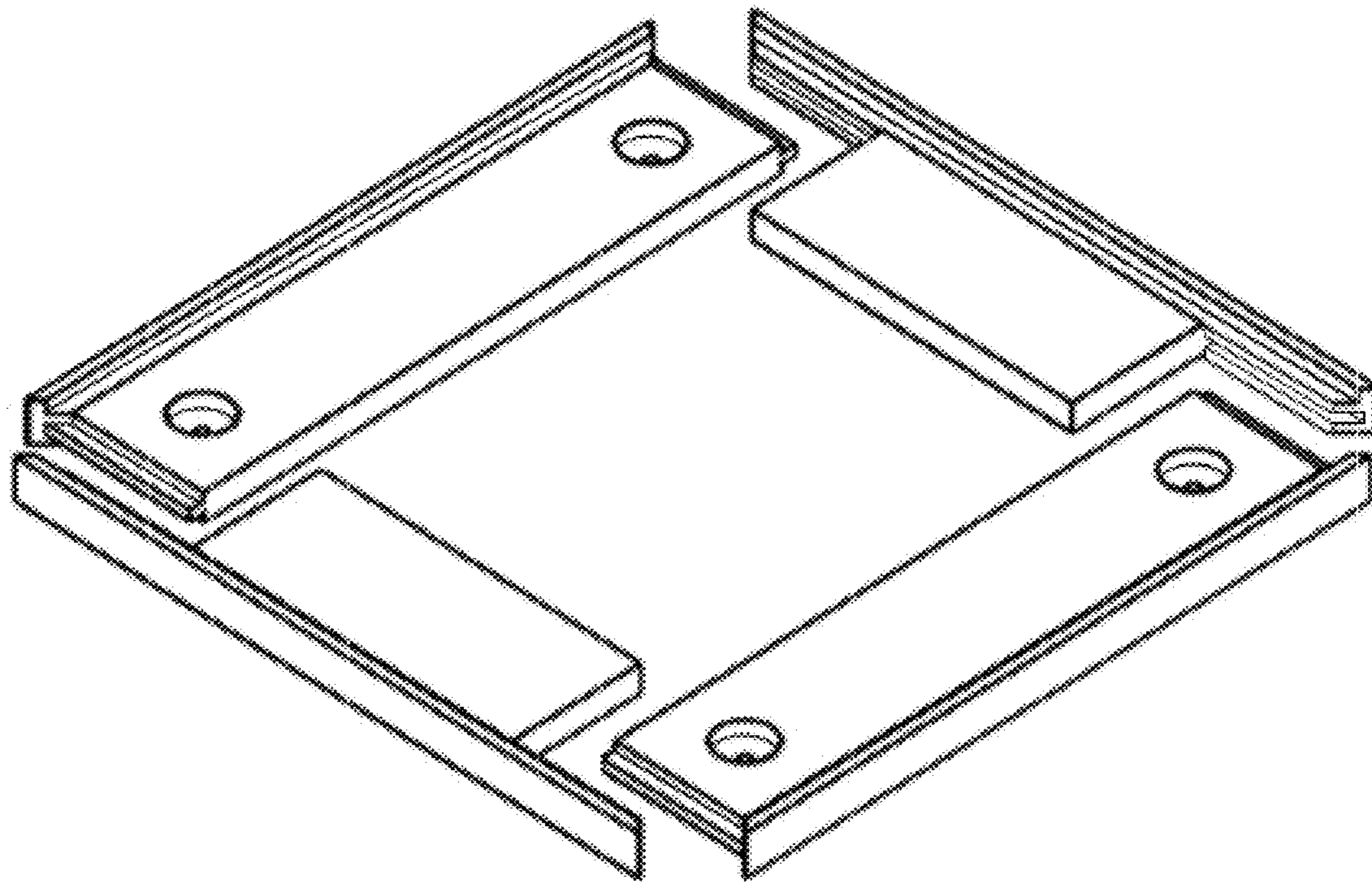


FIG. 2.2

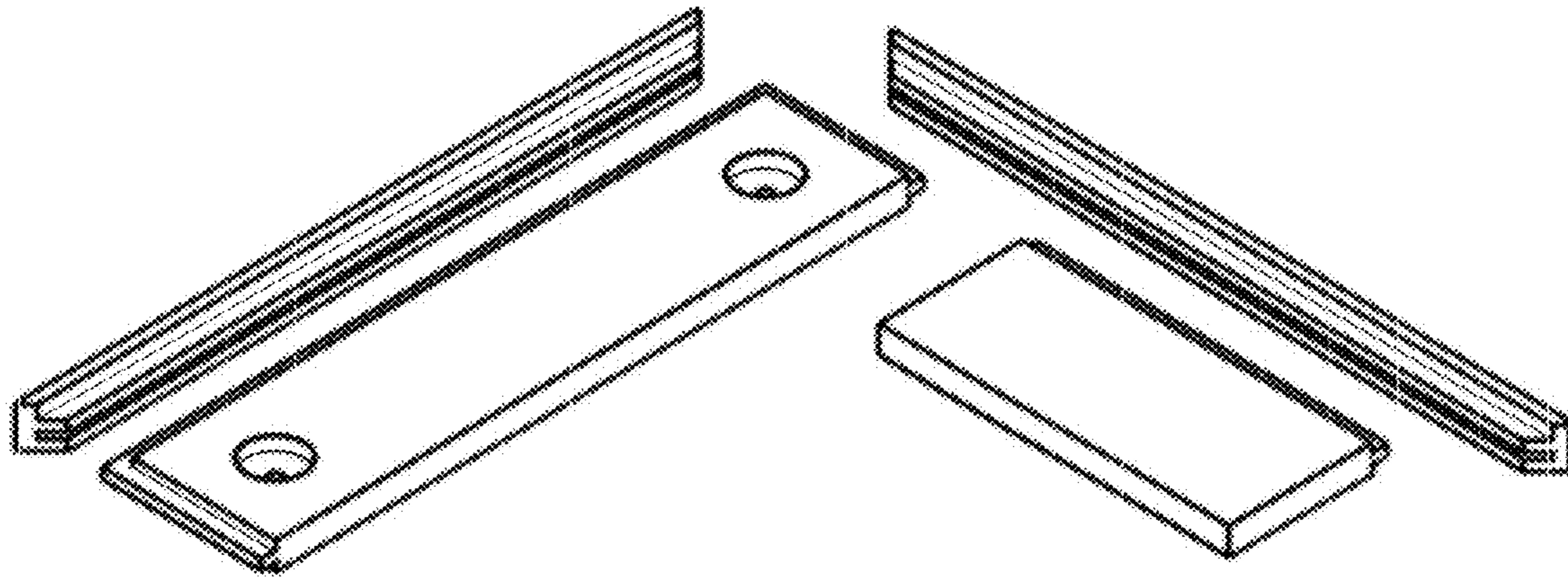


FIG. 2.3