

US00D946331S

(12) **United States Design Patent**
Cayouette

(10) **Patent No.:** **US D946,331 S**

(45) **Date of Patent:** **** Mar. 22, 2022**

(54) **CABINET DOOR**

- (71) Applicant: **Inter IKEA Systems B.V.**, LN Delft (NL)
- (72) Inventor: **Francis Cayouette**, Hørsholm (DK)
- (73) Assignee: **INTER IKEA SYSTEMS B.V.**, Delft (NL)

(**) Term: **15 Years**

(21) Appl. No.: **29/707,515**

(22) Filed: **Sep. 28, 2019**

(30) **Foreign Application Priority Data**

Apr. 4, 2019 (EM) 006369161

(51) **LOC (13) Cl.** **06-06**

(52) **U.S. Cl.**
USPC **D6/703**

(58) **Field of Classification Search**
USPC D6/657, 703, 703.2, 717; D25/48.3
CPC A47B 96/00; B27M 3/0093; B27M 3/18;
B27D 5/006
See application file for complete search history.

(56) **References Cited**

U.S. PATENT DOCUMENTS

D90,851 S	7/1933	Kayser	
D232,611 S *	9/1974	Dillen	D6/703.2
D232,894 S *	9/1974	Dillen	D6/703.2
D471,378 S	3/2003	Lenger	
D488,015 S *	4/2004	Brandon	D6/703.2
D502,615 S	3/2005	Mohundro	
D576,740 S *	9/2008	Steiber	D25/48.3
D587,931 S	3/2009	Domack et al.	
D630,453 S	1/2011	Rafieha	
D653,051 S	1/2012	Lin	
D662,732 S *	7/2012	Siekmann	D6/703.2
D663,554 S *	7/2012	Siekmann	D6/703.2

(Continued)

OTHER PUBLICATIONS

“IKEA Lommarp Cabinet Light Beige.” Found online Jan. 5, 2022 at www.amazon.ca. Product first available Jan. 3, 2020. Retrieved from URL: https://www.amazon.ca/Lommarp-Cabinet-Light-Beige-704-370-03/dp/B083D7485X (Year: 2020).*

(Continued)

Primary Examiner — Mary Ann Calabrese

Assistant Examiner — Katelin G Kloberg

(74) *Attorney, Agent, or Firm* — Tucker Ellis LLP

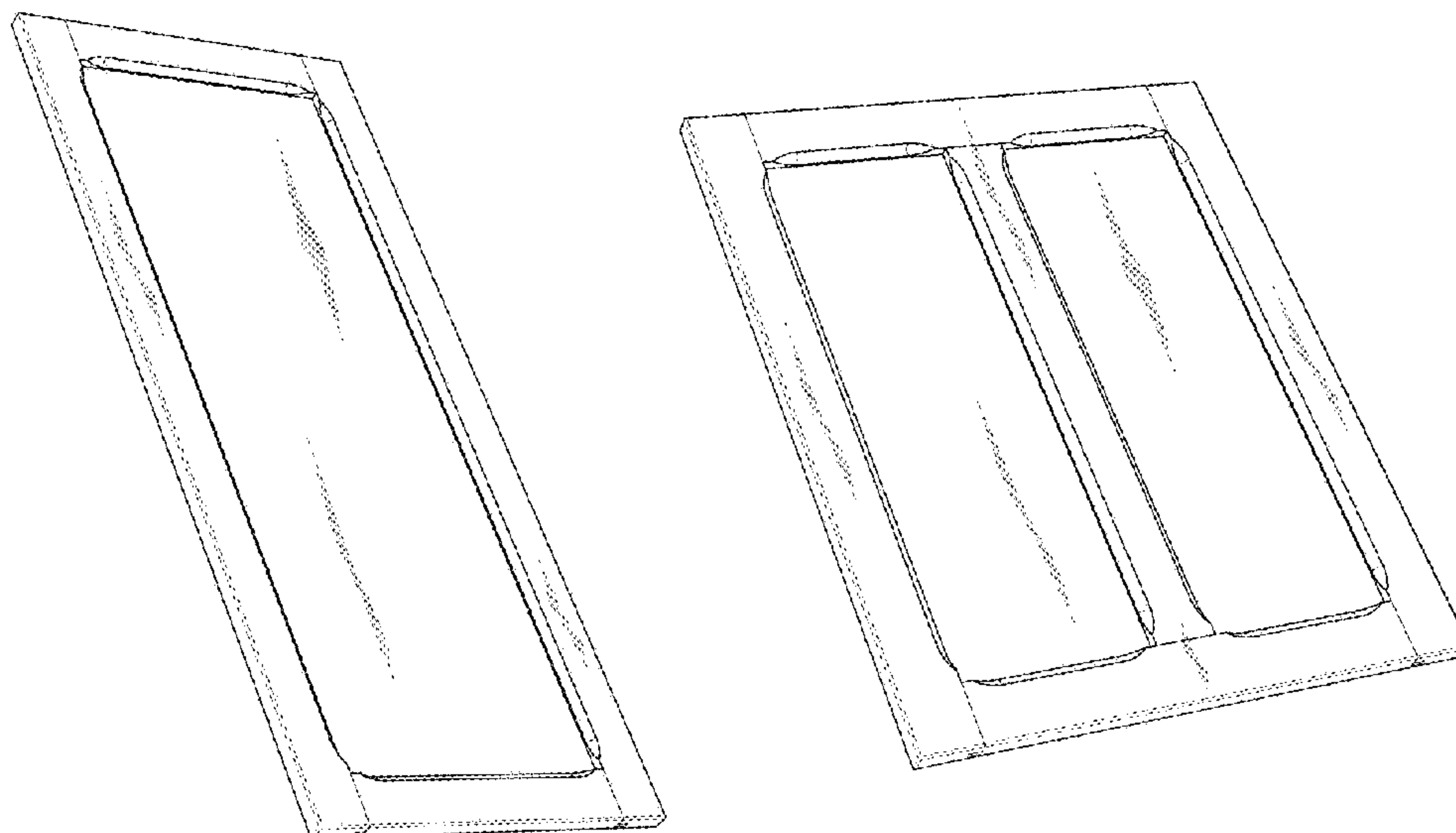
(57) **CLAIM**

The ornamental design for a cabinet door, as shown and described.

DESCRIPTION

FIG. 1 is a right-bottom-front perspective view of a first embodiment of a cabinet door showing my new design;
 FIG. 2 is a front view thereof;
 FIG. 3 is a rear view thereof;
 FIG. 4 is a left side view thereof;
 FIG. 5 is a right side view thereof;
 FIG. 6 is a top view thereof;
 FIG. 7 is a bottom view thereof;
 FIG. 8 is an enlarged fragmentary right-top-front perspective view thereof;
 FIG. 9 is a right-bottom-front perspective view of a second embodiment of the cabinet door;
 FIG. 10 is a front view thereof;
 FIG. 11 is a rear view thereof;
 FIG. 12 is a left side view thereof;
 FIG. 13 is a right side view thereof;
 FIG. 14 is a top view thereof;
 FIG. 15 is a bottom view thereof; and,
 FIG. 16 is an enlarged fragmentary right-top-front perspective view thereof.

1 Claim, 9 Drawing Sheets



(56)

References Cited

U.S. PATENT DOCUMENTS

D690,956 S * 10/2013 Siekmann D6/717
D735,888 S * 8/2015 Gouge D25/48.3
D764,846 S * 8/2016 Reinhart D6/703
D844,846 S * 4/2019 Wysock D25/48.3
D856,053 S * 8/2019 Reyes D6/703
D869,202 S 12/2019 Davis et al.
D908,403 S * 1/2021 Cayouette D6/657
2013/0257243 A1 * 10/2013 Bader A47B 47/042
312/265.2

OTHER PUBLICATIONS

“LOMMARP tv bench by IKEA.” Found online Jan. 5, 2022 at www.3dsky.org. Page dated Mar. 13, 2020. Retrieved from URL: https://3dsky.org/3dmodels/show/lommarp_tv_bench_by_ikea (Year: 2020).*

“How the Xbox Series X and Series S fit into the most popular Ikea furniture.” Found online Jan. 5, 2022 at www.cnet.com. Page dated Sep. 26, 2020. Retrieved from URL: <https://www.cnet.com/tech/computing/how-the-xbox-series-x-and-series-s-fits-into-the-most-popular-ikea-furniture/> (Year: 2020).*

* cited by examiner

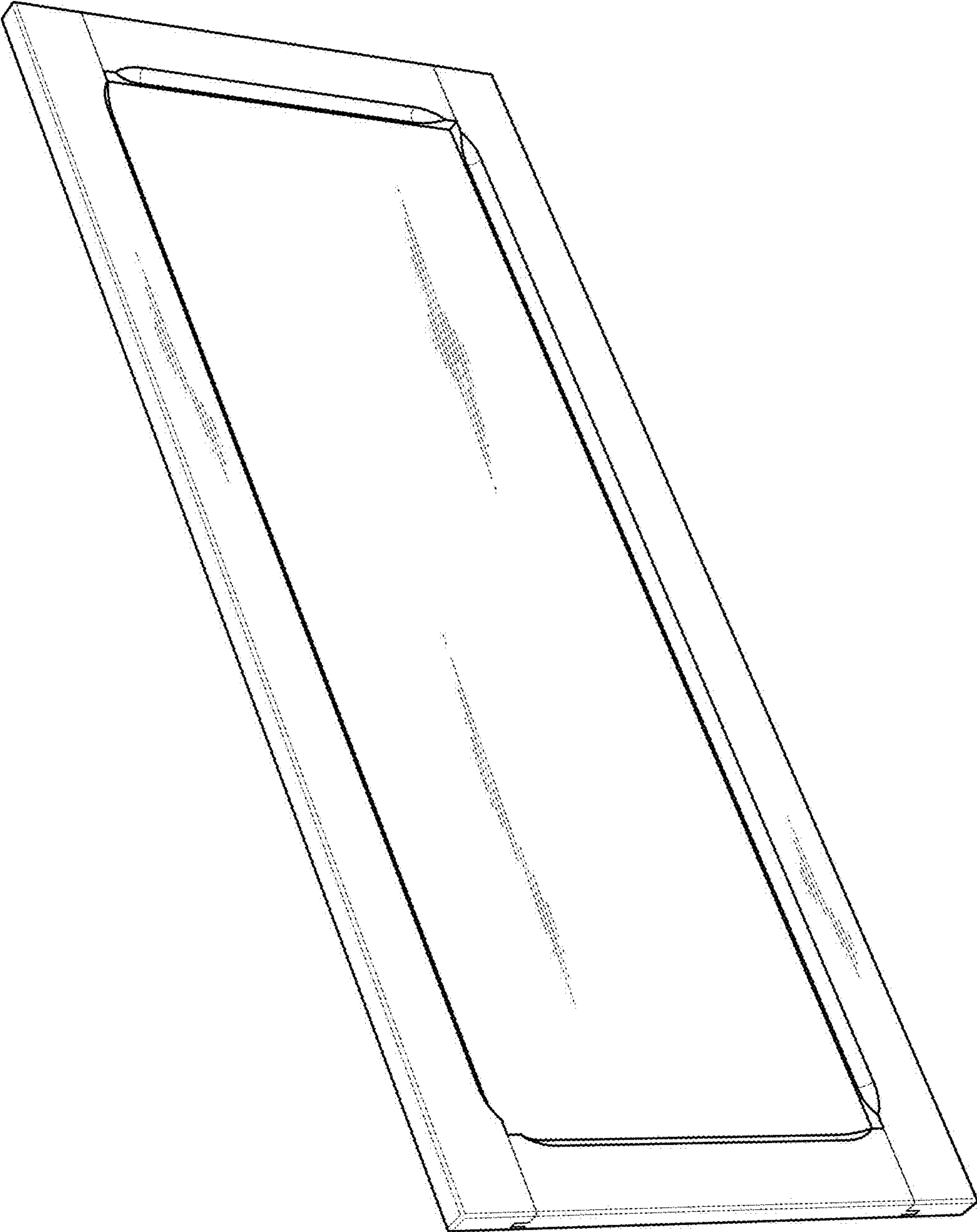


FIG. 1

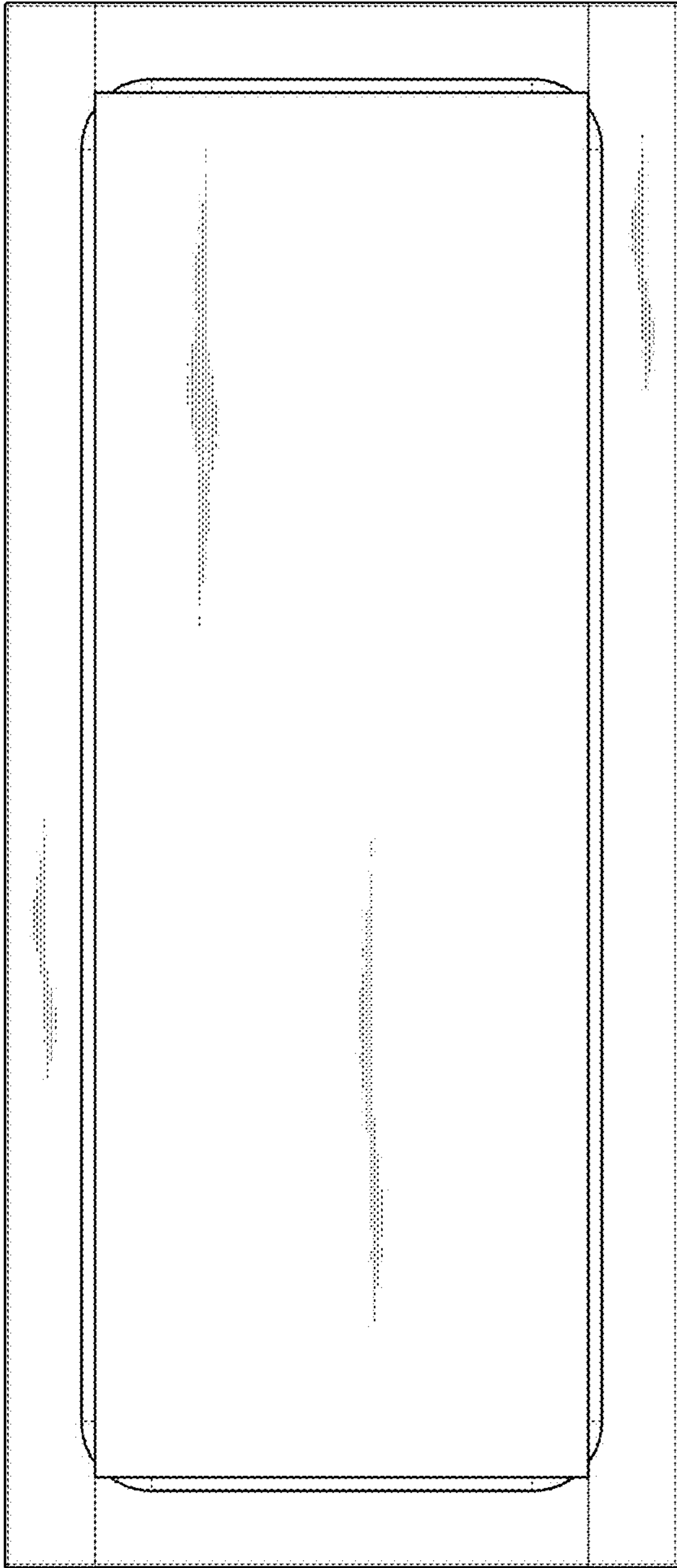


FIG. 2

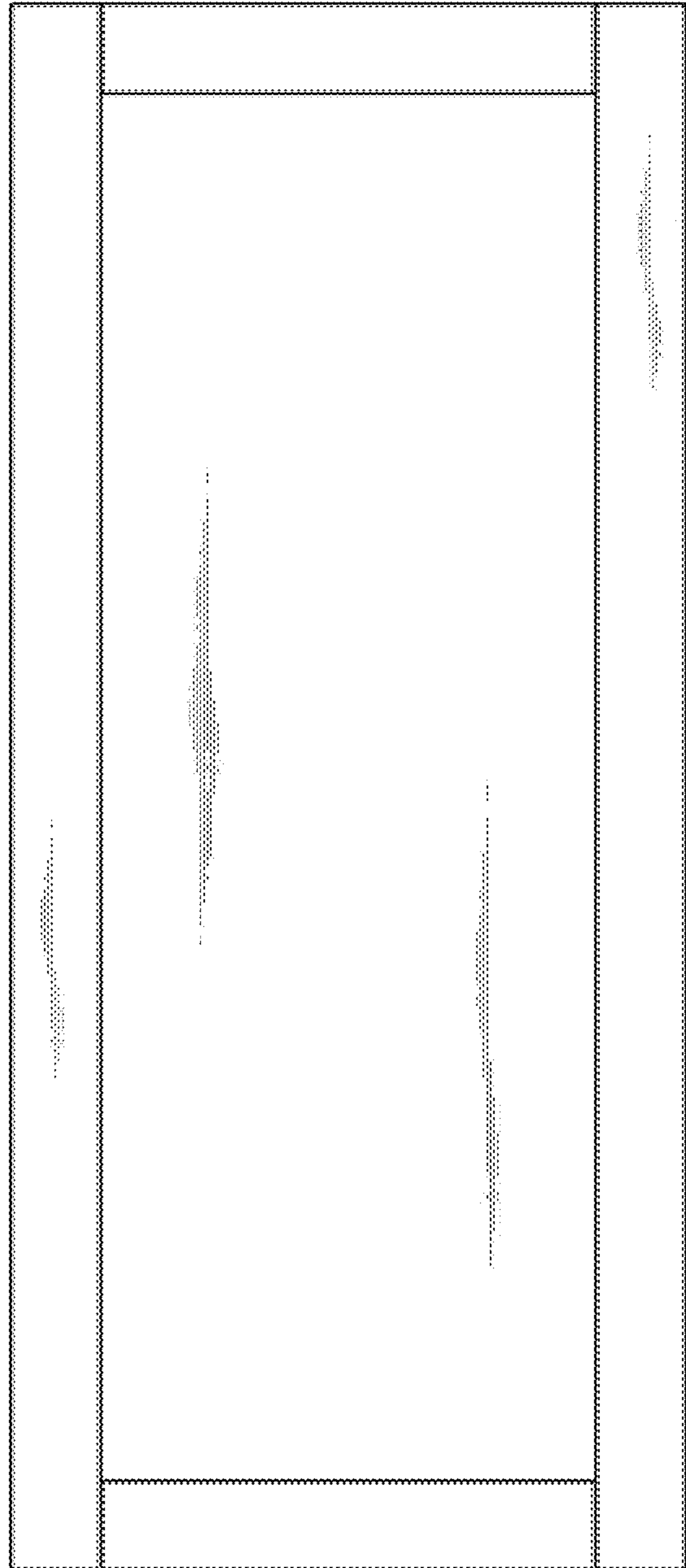


FIG. 3



FIG. 4

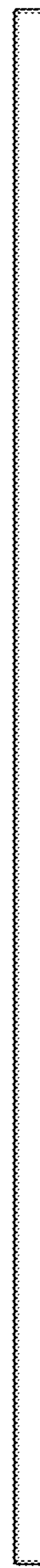


FIG. 5



FIG. 6



FIG. 7

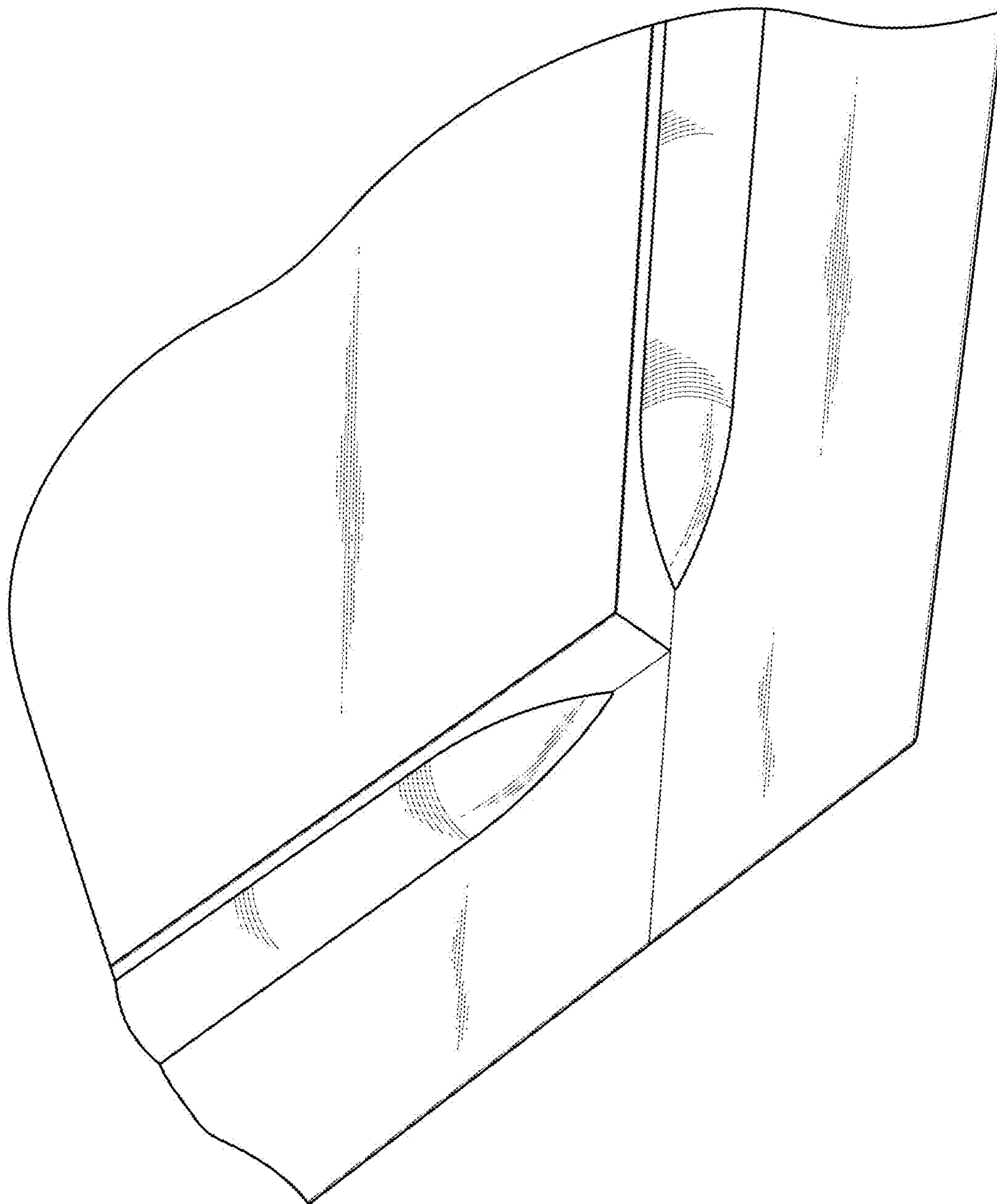


FIG. 8

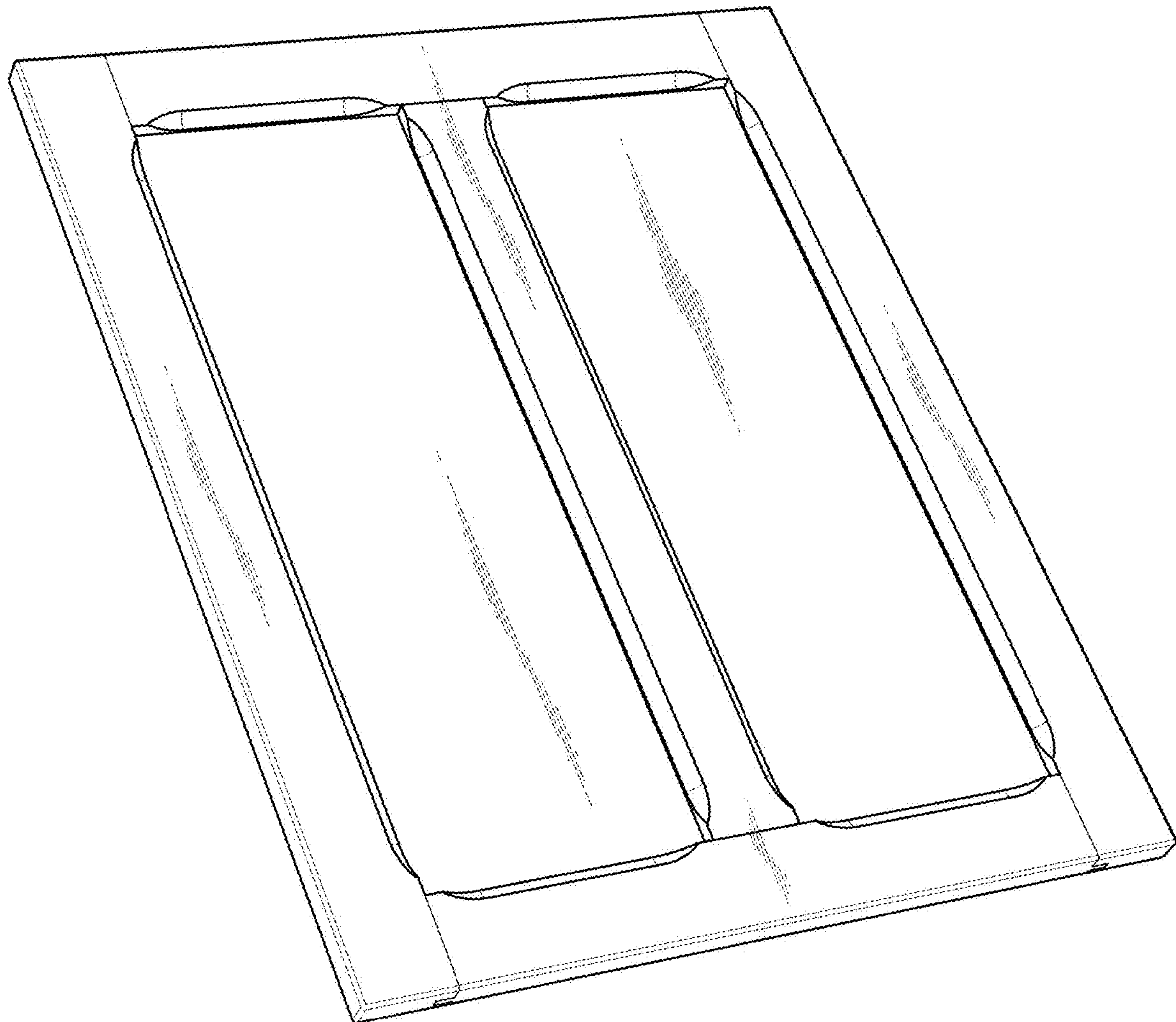


FIG. 9

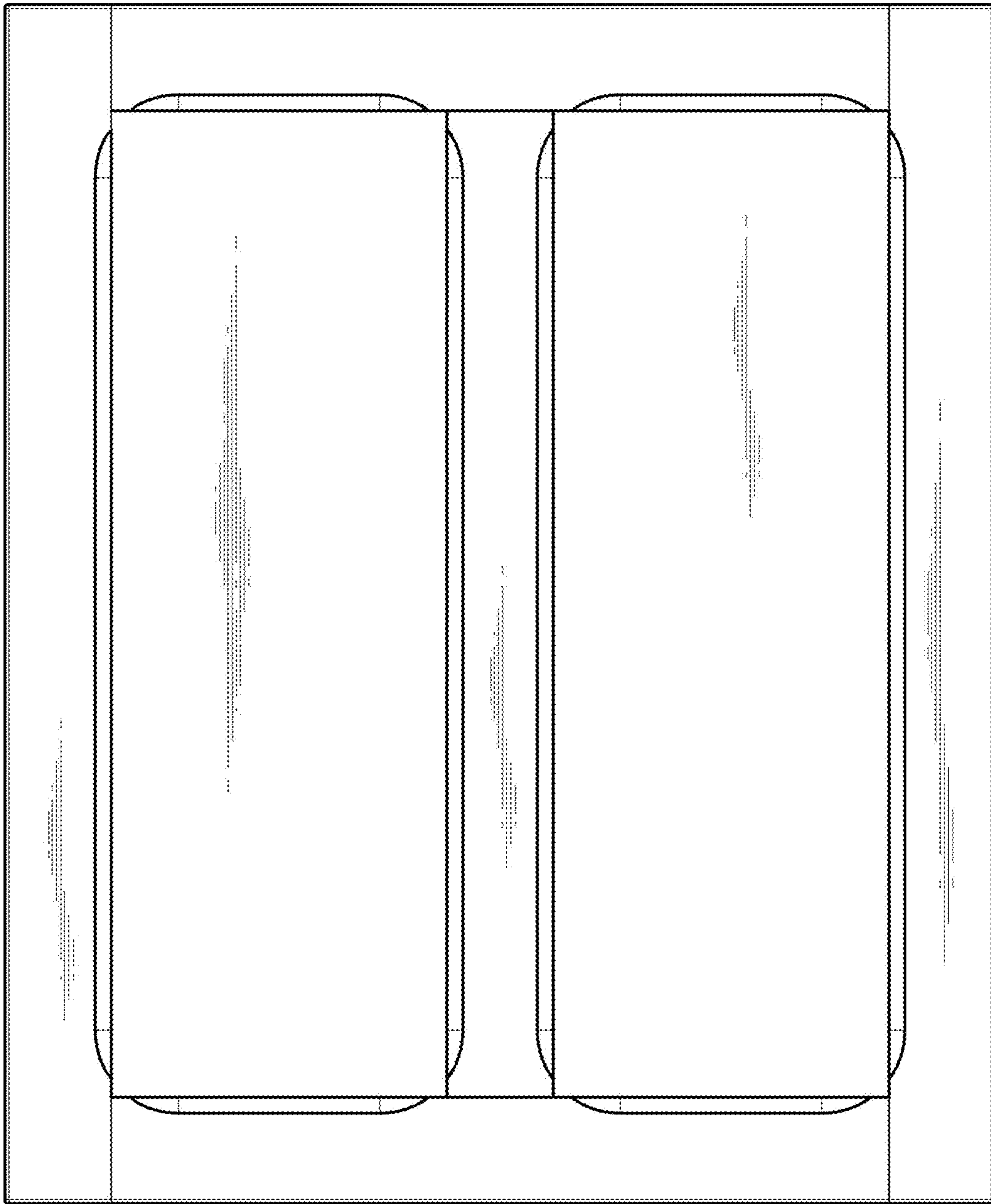


FIG. 10

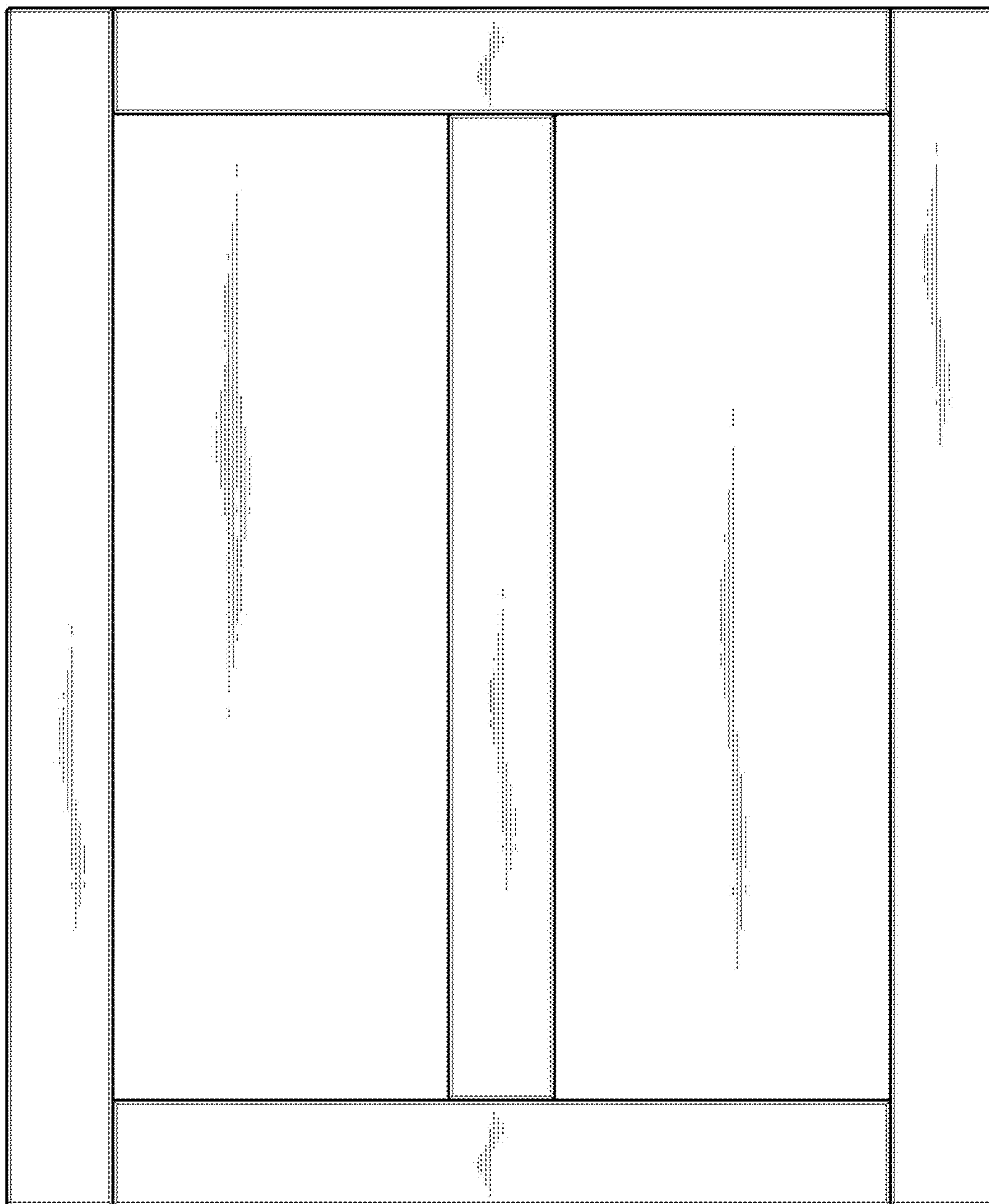


FIG. 11



FIG. 12



FIG. 13



FIG. 14



FIG. 15

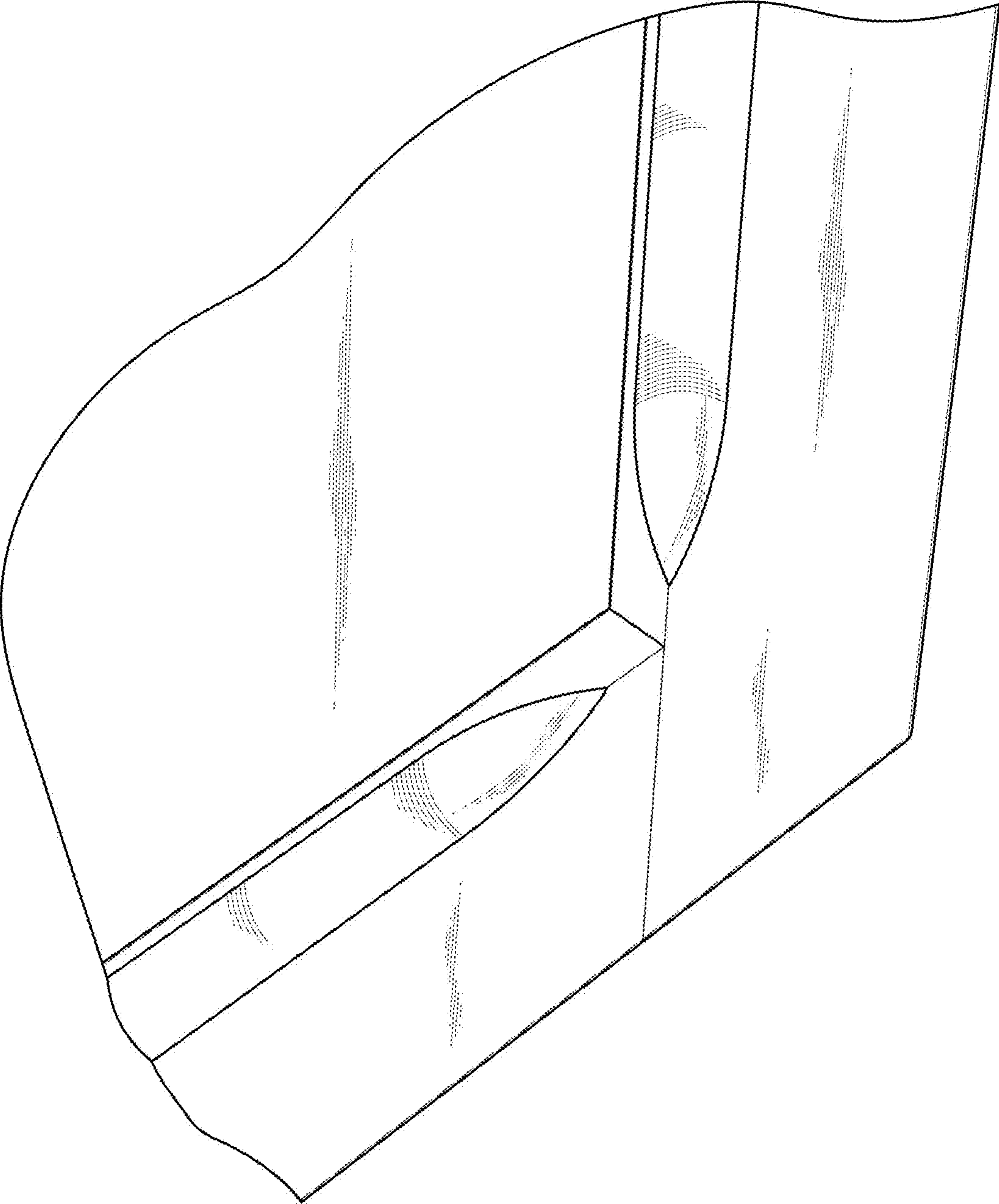


FIG. 16