

US00D946330S

(12) **United States Design Patent** (10) **Patent No.:** **US D946,330 S**  
**Li** (45) **Date of Patent:** **\*\* Mar. 22, 2022**

(54) **BAR TABLE WITH WINE RACK**

OTHER PUBLICATIONS

(71) Applicant: **Golden huanan imp & exp co ltd,**  
Xiamen (CN)

(72) Inventor: **Jinjiang Li,** Xiamen (CN)

(73) Assignee: **Golden huanan imp & exp co ltd,**  
Xiamen (CN)

(\*\*) Term: **15 Years**

(21) Appl. No.: **29/753,121**

(22) Filed: **Sep. 30, 2020**

(51) **LOC (13) Cl.** ..... **06-03**

(52) **U.S. Cl.**  
USPC ..... **D6/691**

(58) **Field of Classification Search**  
USPC ..... D6/657, 660, 661, 672, 675, 675.1,  
D6/675.2, 675.3, 675.4, 675.5, 691  
CPC ..... A47F 1/00; A47B 96/00; A47B 96/02;  
A47B 47/00; A47B 47/021  
See application file for complete search history.

“O&K Furniture 4-Piece Dining Table Set.” Found online May 20, 2021 at www.amazon.com. Product first available Dec. 31, 2019. Retrieved from URL: https://www.amazon.com/FURNITURE-4-Piece-Counter-Industrial-Kitchen/dp/B07YXN91J9 (Year: 2019).\*  
“O&K Furniture Industrial Wine Table with Glass Stand.” Found online May 20, 2021 at www.amazon.com. Product first available Sep. 18, 2018. Retrieved from URL: https://tinyurl.com/3m574h6t (Year: 2018).\*  
“WAYTRIM Glass Stand Table.” Found online May 20, 2021 at www.amazon.com. Product reviewed Apr. 23, 2020. Retrieved from URL: https://tinyurl.com/fxsa7y39 (Year: 2020).\*

\* cited by examiner

*Primary Examiner* — Mary Ann Calabrese  
*Assistant Examiner* — Katelin G Kloberg  
(74) *Attorney, Agent, or Firm* — True Shepherd LLC;  
Andrew C. Cheng

(56) **References Cited**

U.S. PATENT DOCUMENTS

D273,726 S	*	5/1984	Valenzuela	.....	D23/278
D326,971 S	*	6/1992	Leis	.....	D6/675.1
D463,682 S	*	10/2002	Ma	.....	D6/661
D491,744 S	*	6/2004	Harwanko	.....	D6/657
D716,075 S	*	10/2014	Healy	.....	D6/657
D801,728 S	*	11/2017	Reyes	.....	D6/660
D858,151 S	*	9/2019	Li	.....	D6/675.1
D903,966 S	*	12/2020	Li	.....	D34/14
D905,478 S	*	12/2020	Li	.....	D6/657

(57) **CLAIM**

The ornamental design for a bar table with wine rack, as shown and described.

**DESCRIPTION**

FIG. 1 is a perspective view of a bar table with wine rack showing my new design;  
FIG. 2 is a front view thereof;  
FIG. 3 is a rear view thereof;  
FIG. 4 is a left side view thereof;  
FIG. 5 is a right side view thereof;  
FIG. 6 is a bottom plan, view thereof; and,  
FIG. 7 is a top plan view thereof.

**1 Claim, 7 Drawing Sheets**





FIG. 1

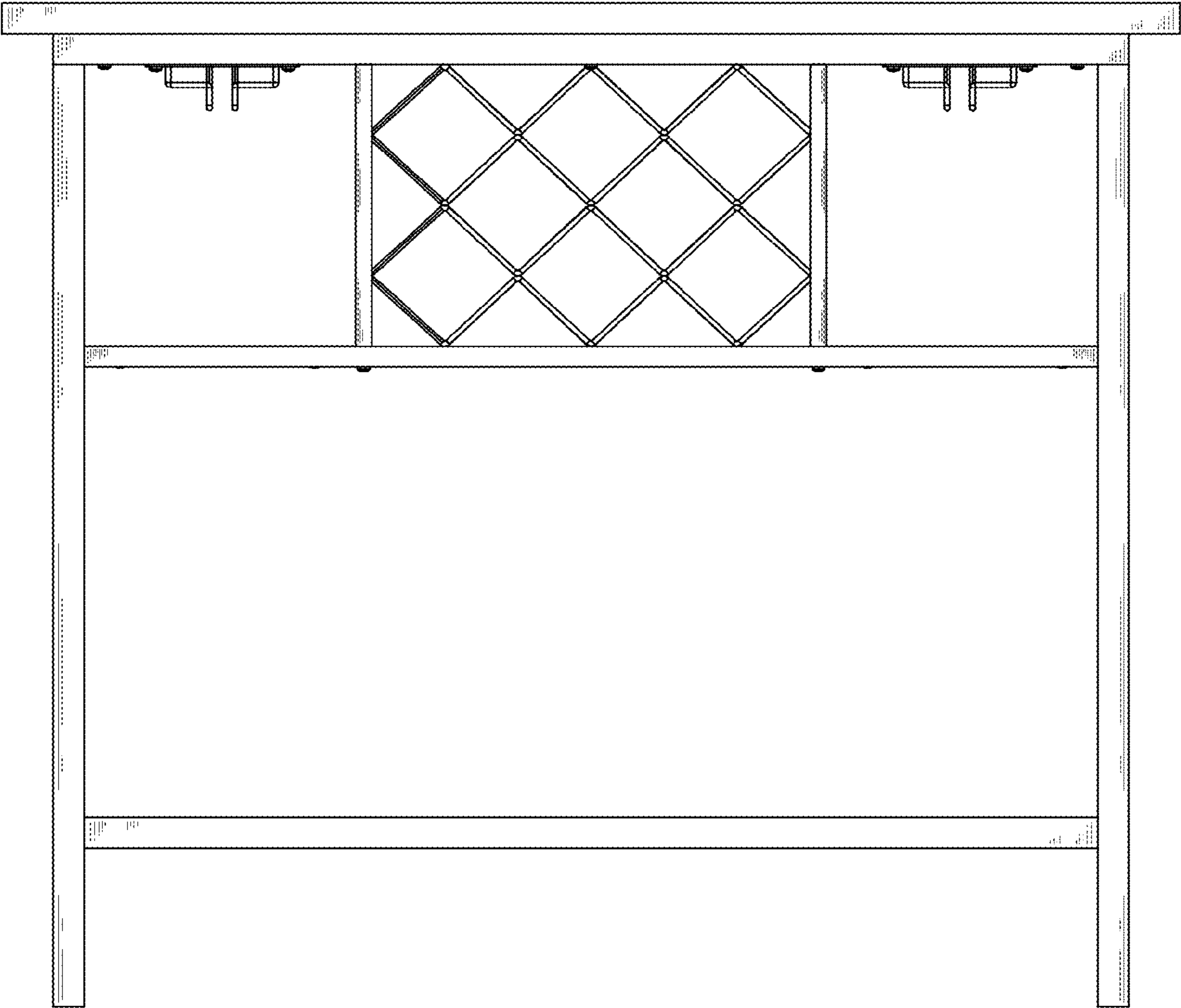


FIG. 2

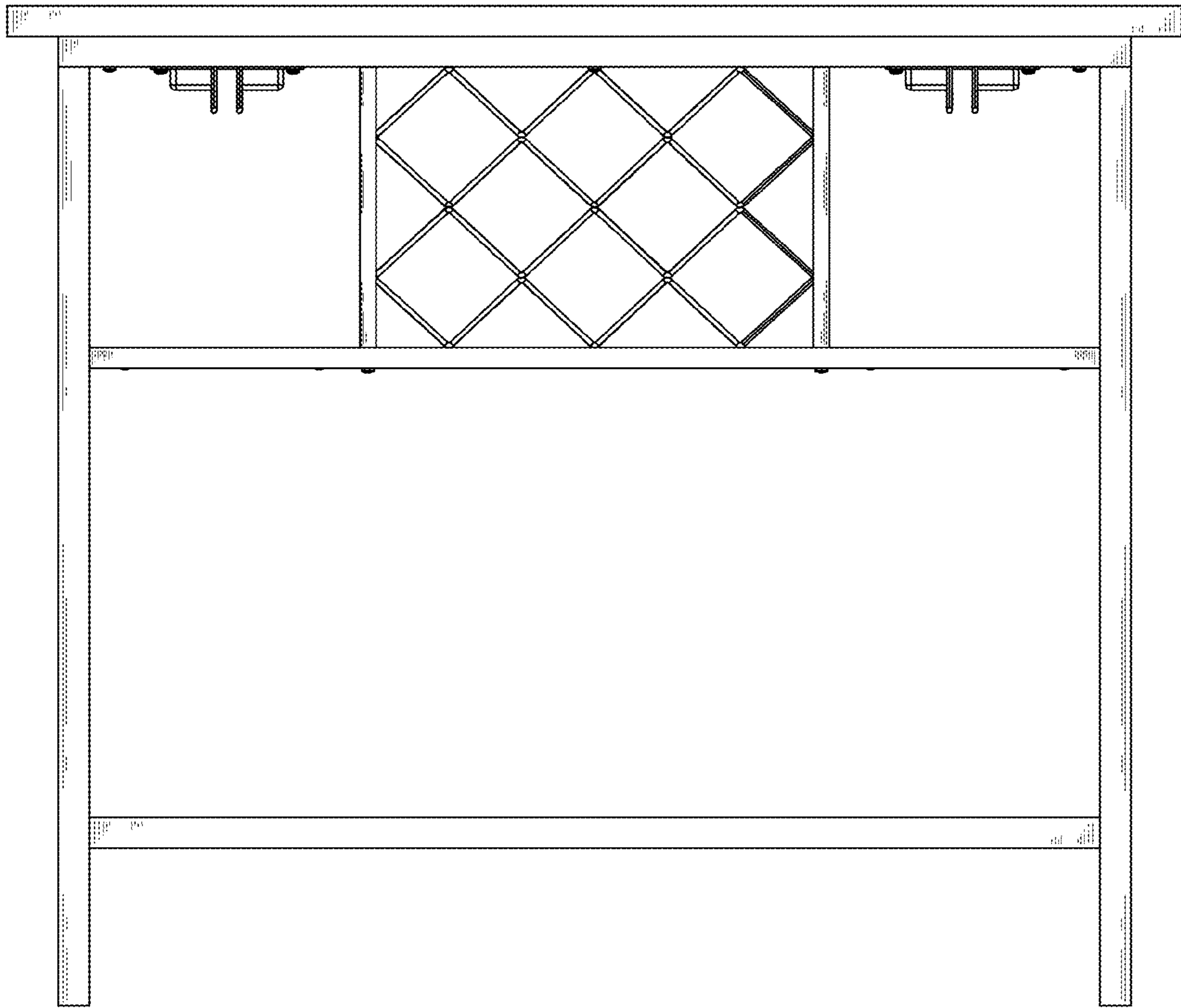


FIG. 3

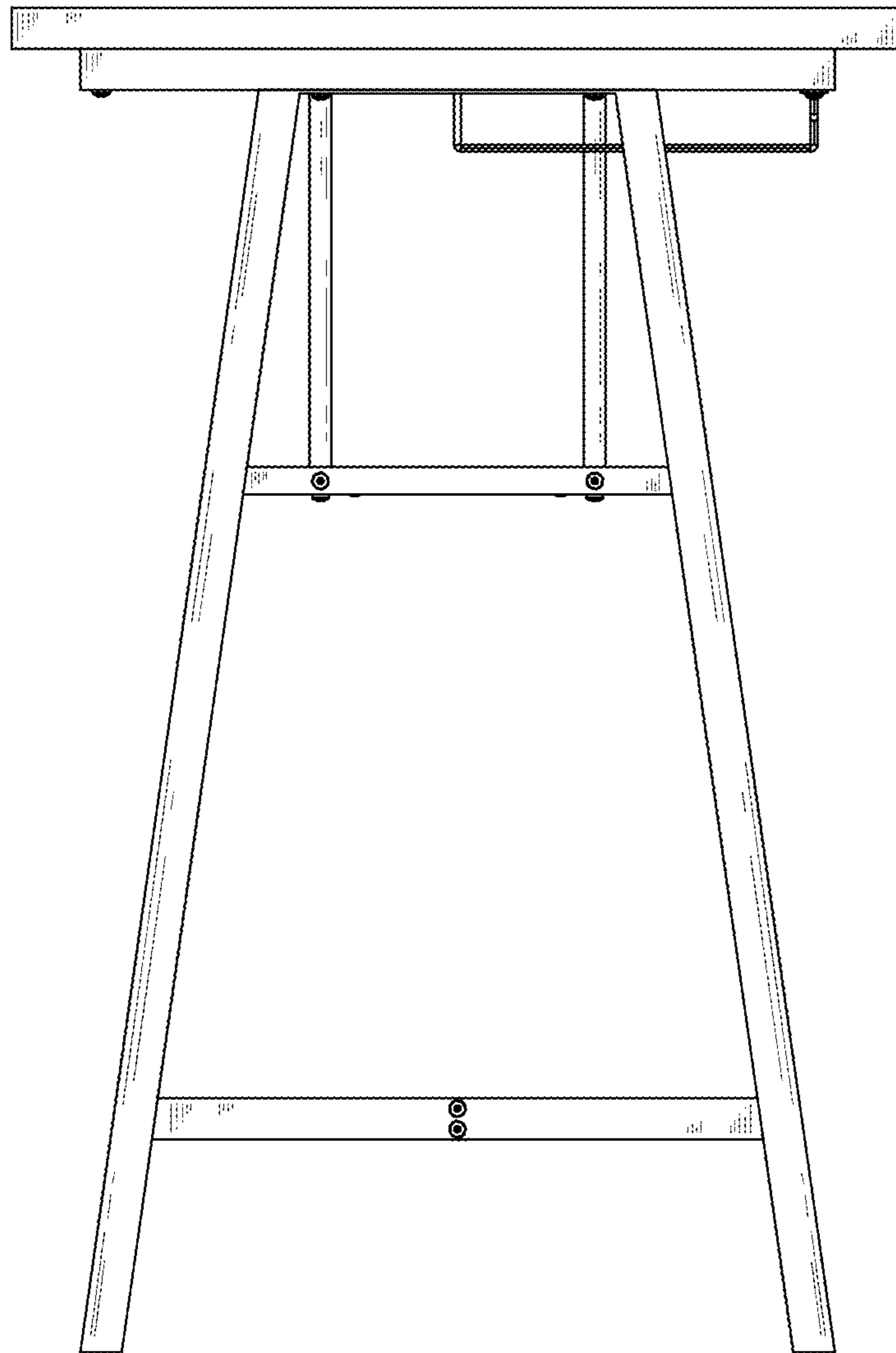


FIG. 4

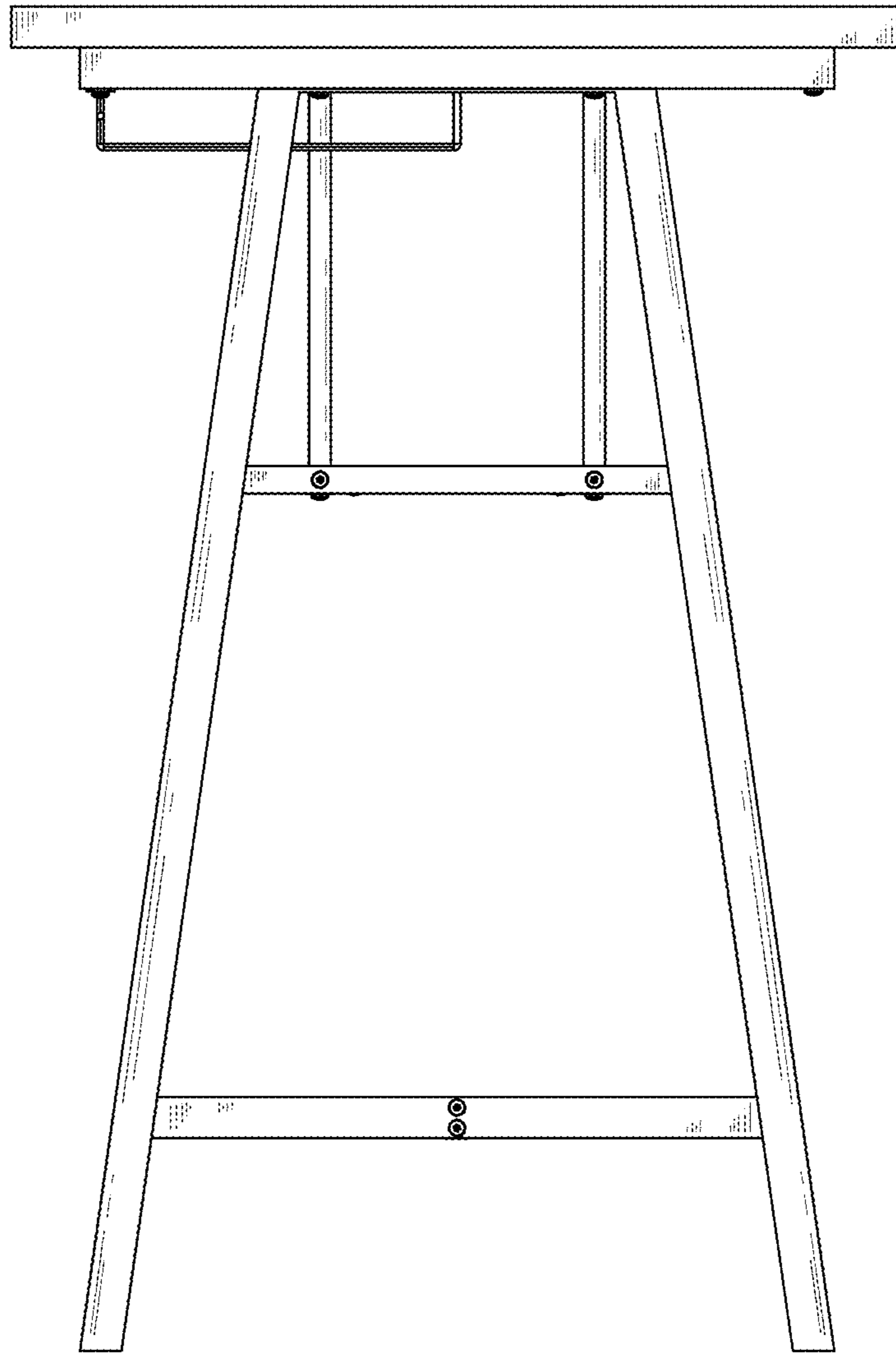


FIG. 5

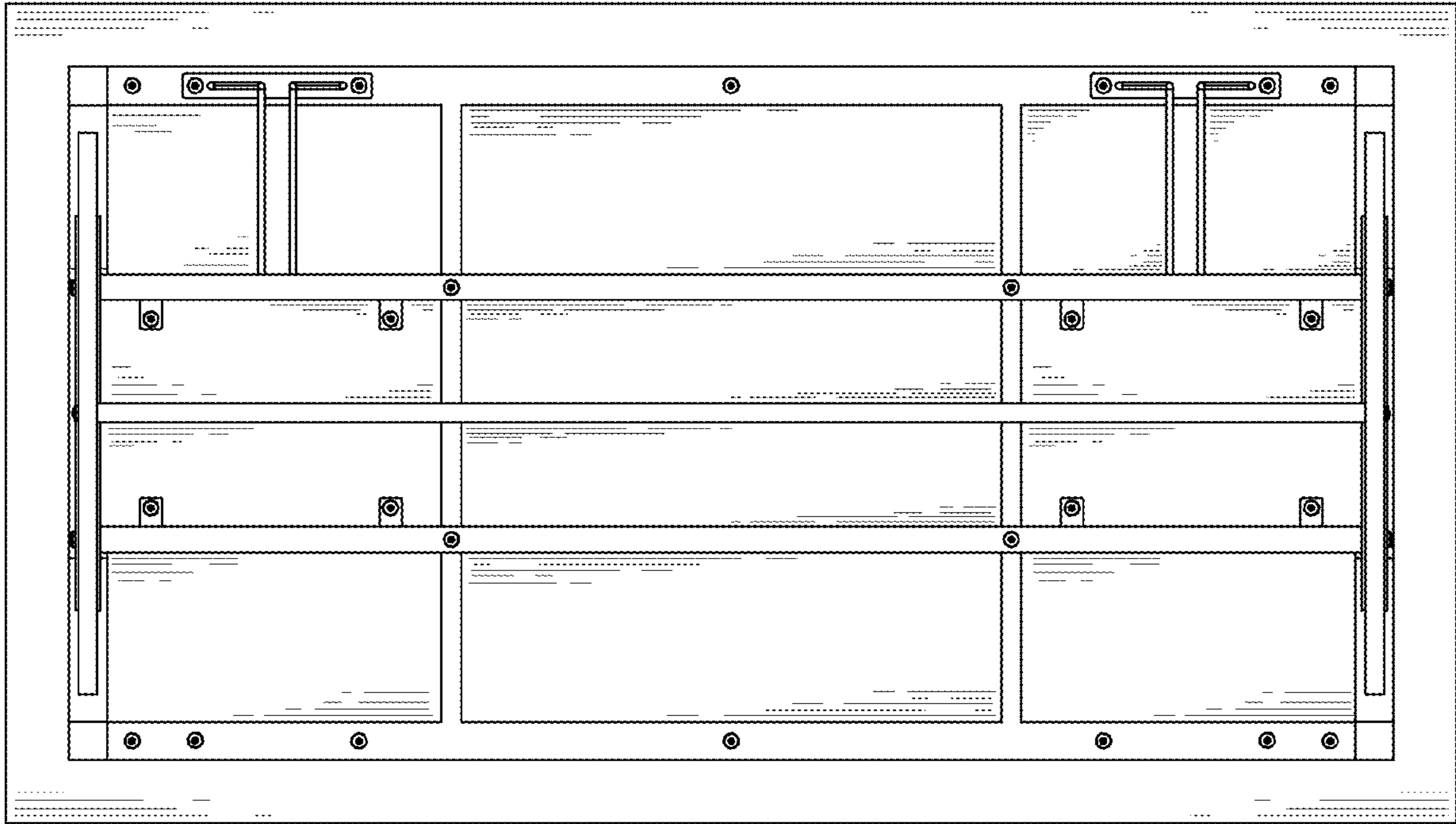


FIG. 6

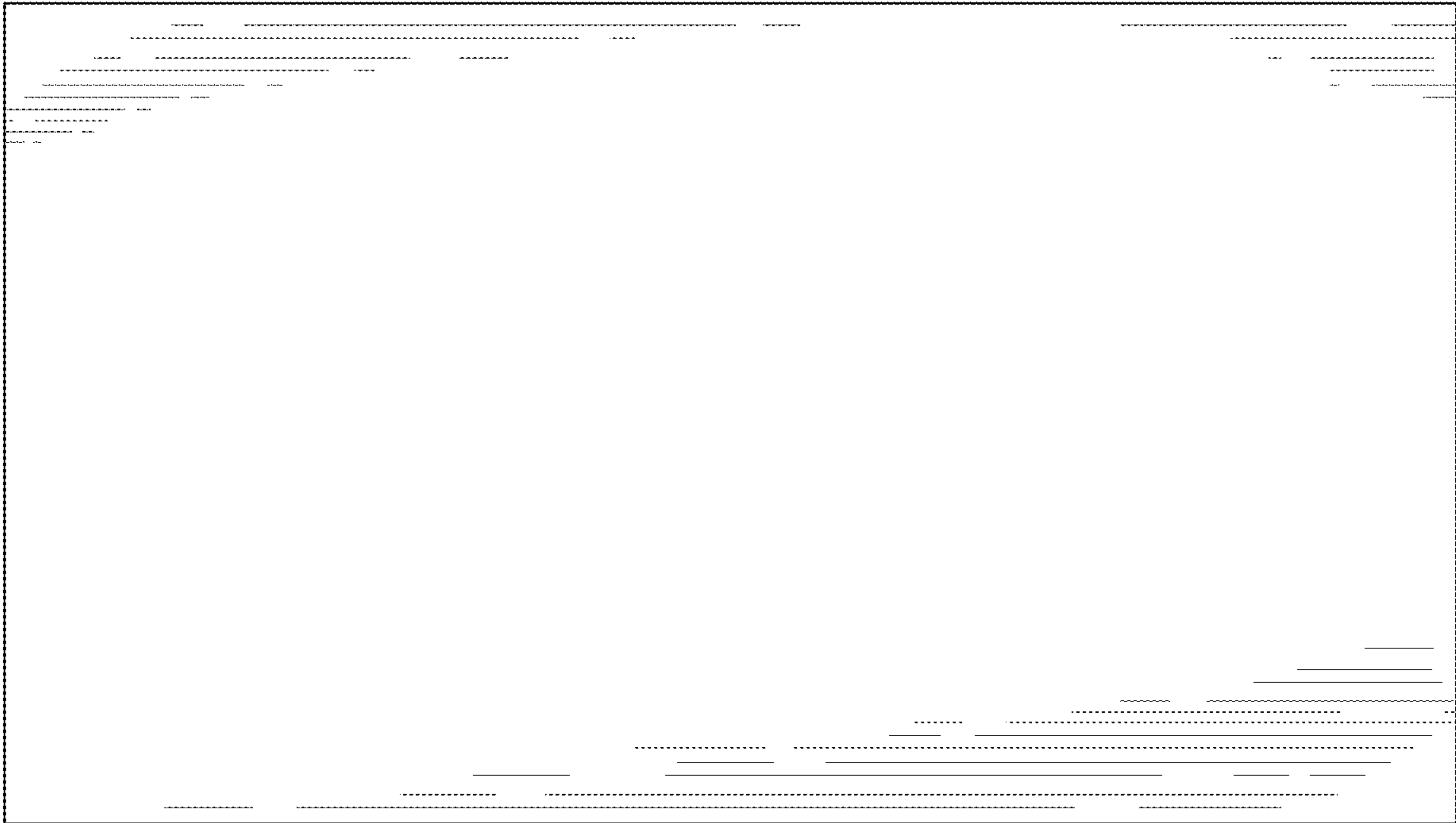


FIG. 7