

US00D946329S

(12) **United States Design Patent**
Wu

(10) **Patent No.:** **US D946,329 S**

(45) **Date of Patent:** **** Mar. 22, 2022**

(54) **EARRING HOLDER**

(71) Applicant: **Yuanyuan Wu**, Longgang (CN)

(72) Inventor: **Yuanyuan Wu**, Longgang (CN)

(**) Term: **15 Years**

(21) Appl. No.: **29/768,167**

(22) Filed: **Jan. 28, 2021**

(51) **LOC (13) Cl.** **06-06**

(52) **U.S. Cl.**

USPC **D6/682.2**

(58) **Field of Classification Search**

USPC D6/672, 675, 675.1, 678, 678.1, 680.2,
D6/681, 681.1, 682, 682.2, 682.5, 682.6

CPC A47F 5/00; A47F 5/0006; A47F 5/0018;
A47F 5/0876; A47F 5/0884; A47F 7/02

See application file for complete search history.

D328,681 S *	8/1992	Radosevich	D6/567
D338,117 S *	8/1993	Caldwell	D6/682.2
D396,363 S *	7/1998	Skrum	D6/682.2
D436,727 S *	1/2001	Hsu	D3/294
7,389,868 B2 *	6/2008	Lewand	A45C 11/16 206/495
D769,025 S *	10/2016	Eberling	D6/569
D789,707 S	6/2017	Porisky		
D888,473 S *	6/2020	Li	D6/682.6
D888,474 S	6/2020	Li		
D908,409 S *	1/2021	Chiang	D6/681
D919,341 S *	5/2021	Li	D6/682.6
D932,222 S *	10/2021	Liu	D6/682.6

* cited by examiner

Primary Examiner — Kelley A Donnelly

(74) *Attorney, Agent, or Firm* — True Shepherd LLC;
Andrew C. Cheng

(57) **CLAIM**

The ornamental design for earring holder, as shown and described.

DESCRIPTION

FIG. 1 is a perspective view of an earring holder showing my new design;

FIG. 2 is a front view thereof;

FIG. 3 is a rear view thereof;

FIG. 4 is a left side view thereof;

FIG. 5 is a right side view thereof;

FIG. 6 is a top plan view thereof; and,

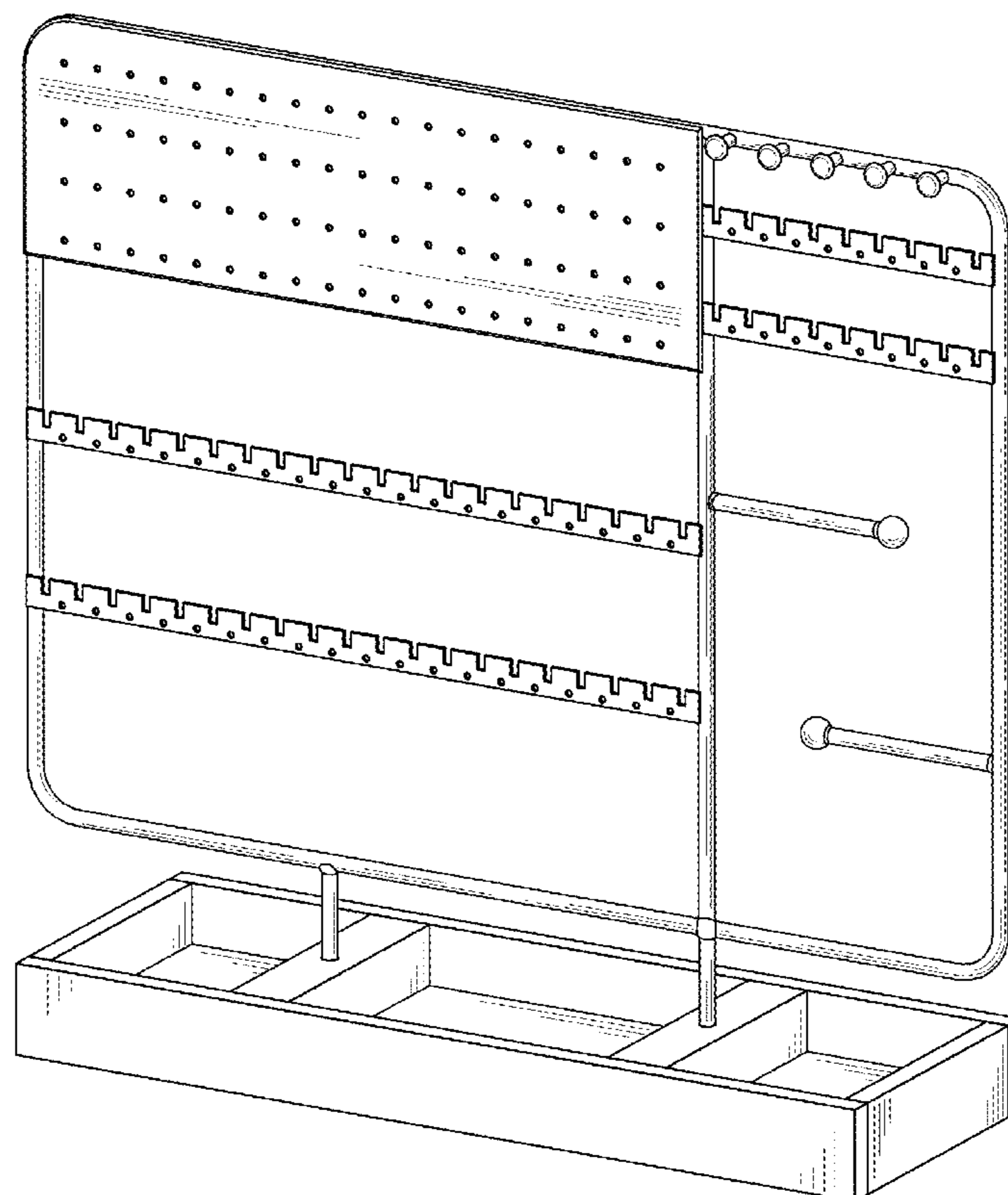
FIG. 7 is a bottom plan view thereof.

1 Claim, 7 Drawing Sheets

(56) **References Cited**

U.S. PATENT DOCUMENTS

D248,801 S	8/1978	Tafoya		
D253,210 S *	10/1979	Ulrich	D6/682.2
4,739,886 A *	4/1988	Seaberg	A47F 7/02 206/486
D303,193 S *	9/1989	Rimer	D6/569
D305,709 S *	1/1990	Blignaut	D6/682.6
D315,460 S *	3/1991	Sorce, Jr.	D6/682.2
5,033,625 A *	7/1991	Campbell	A47F 7/02 211/85.2



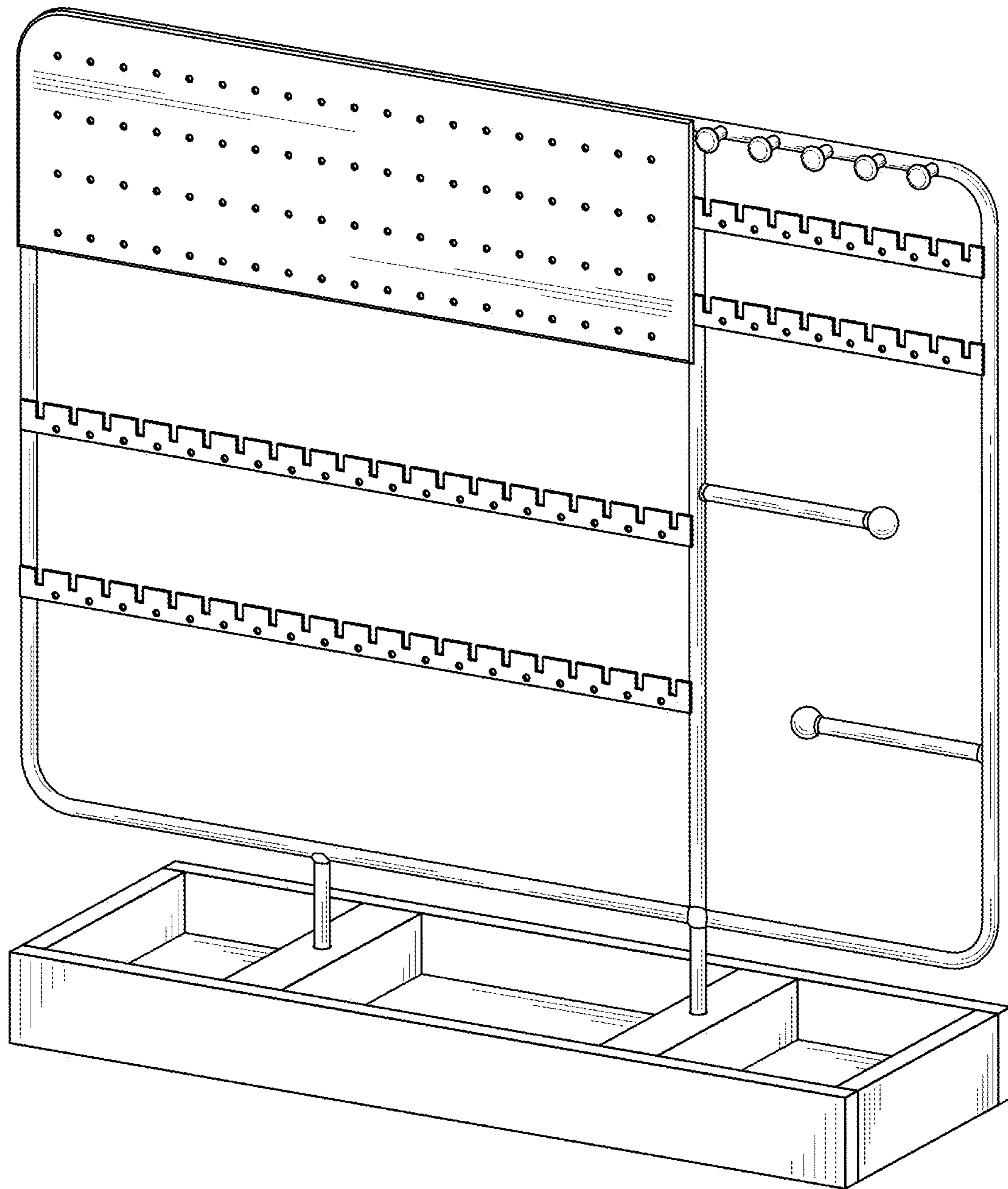


FIG. 1

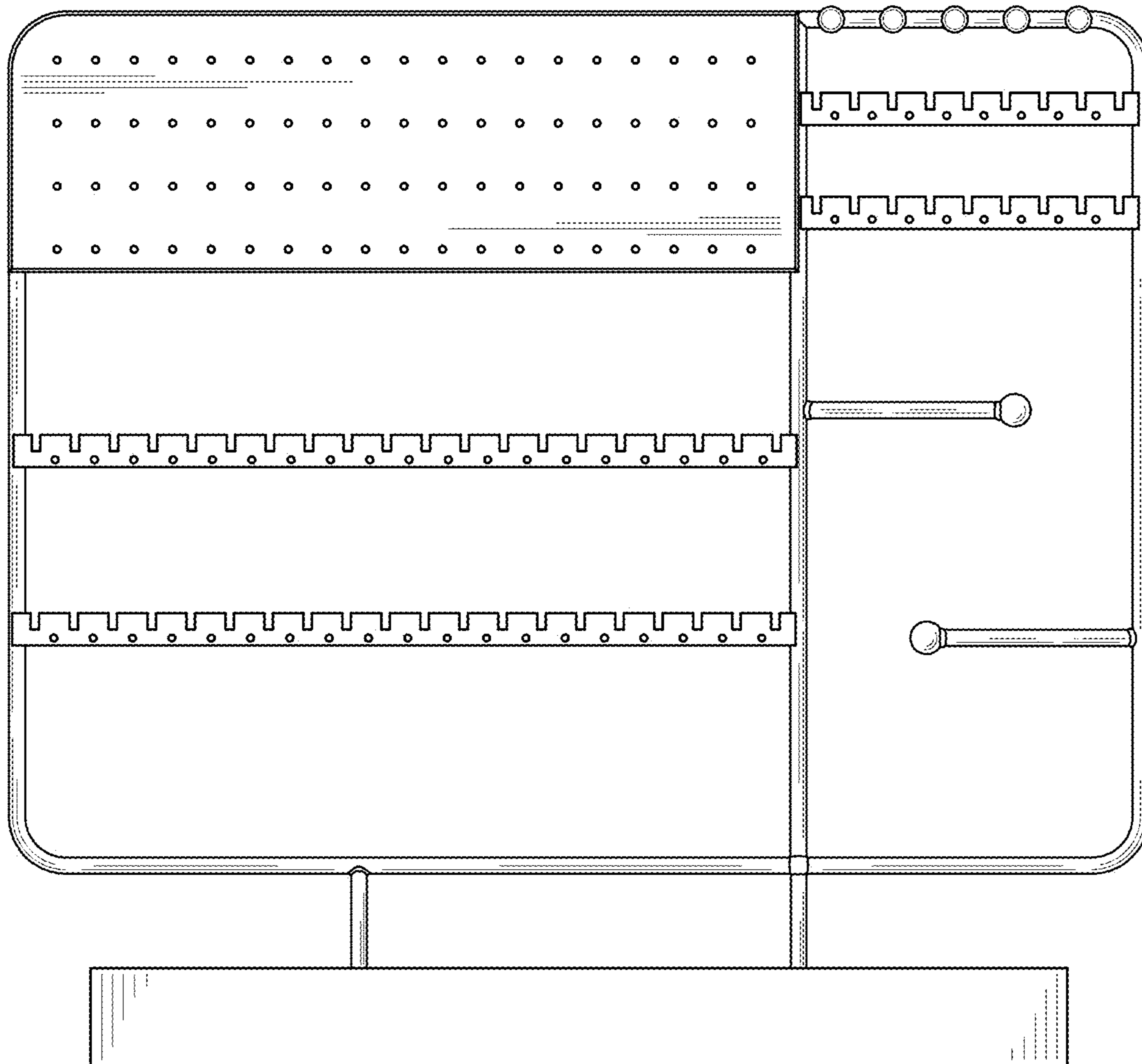


FIG. 2

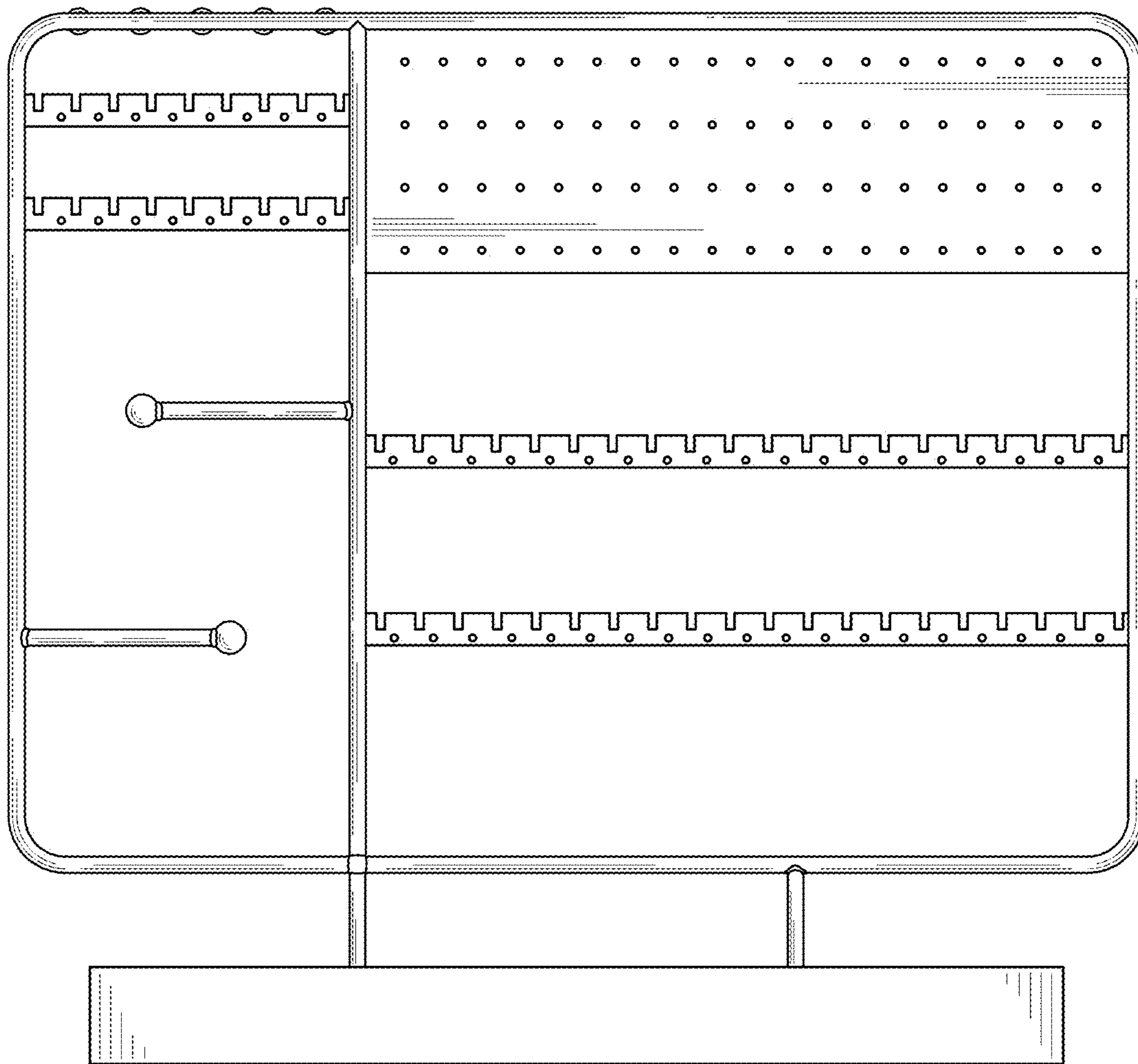


FIG. 3

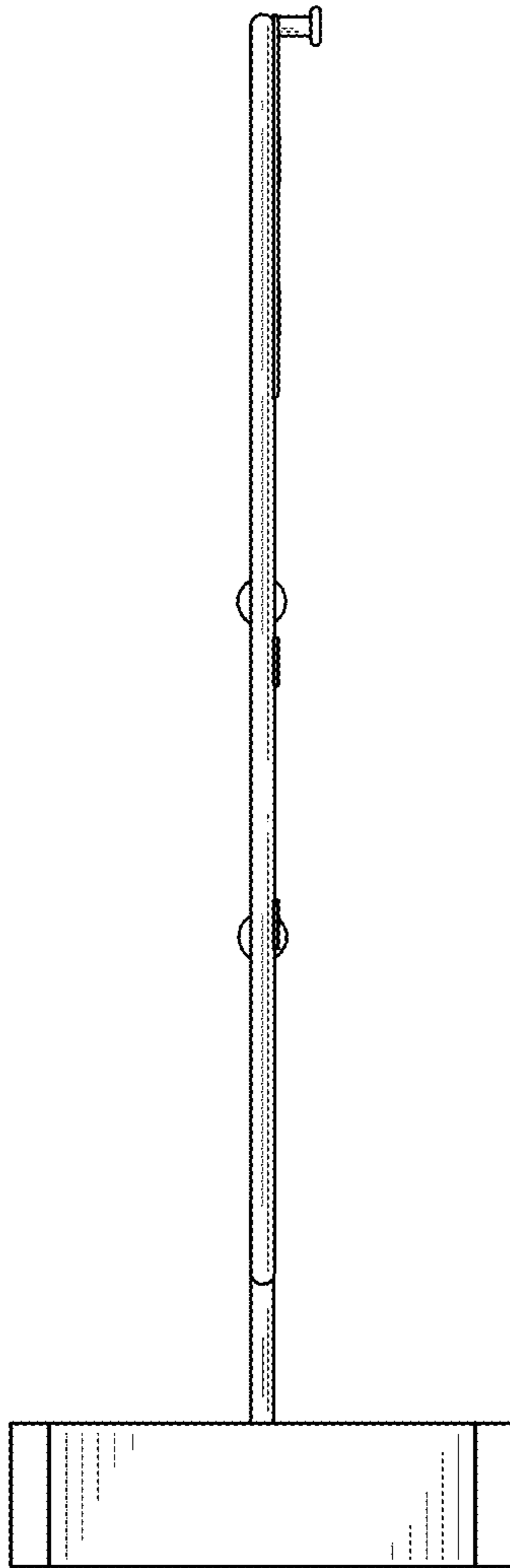


FIG. 4

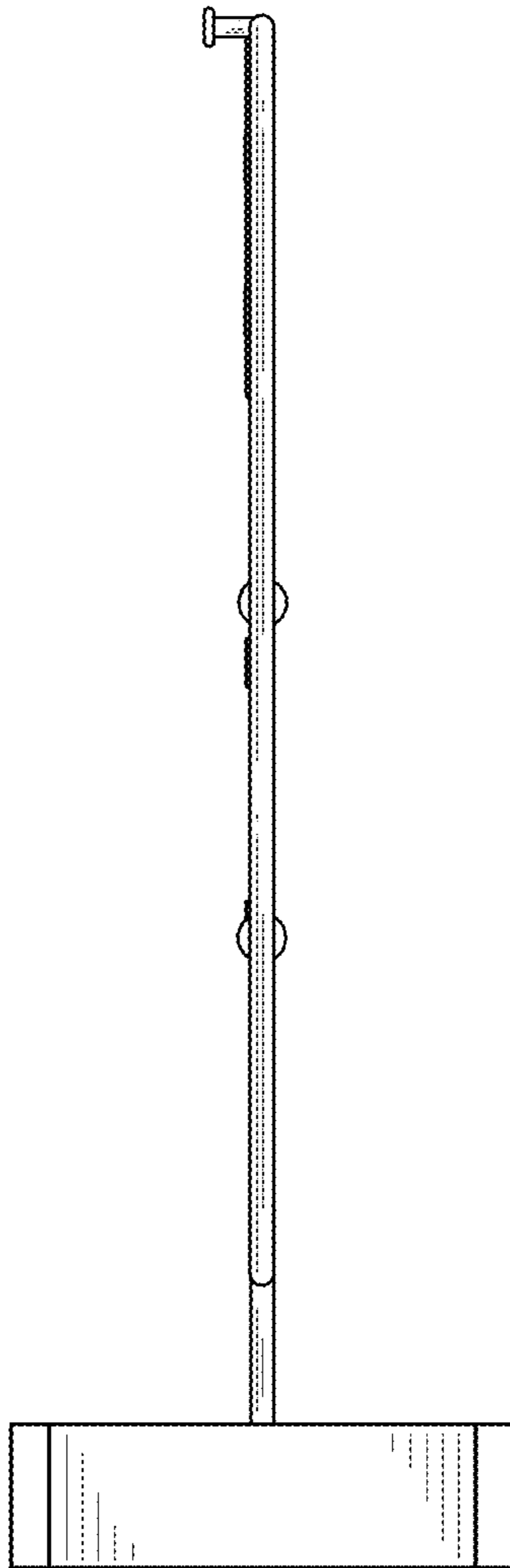


FIG. 5

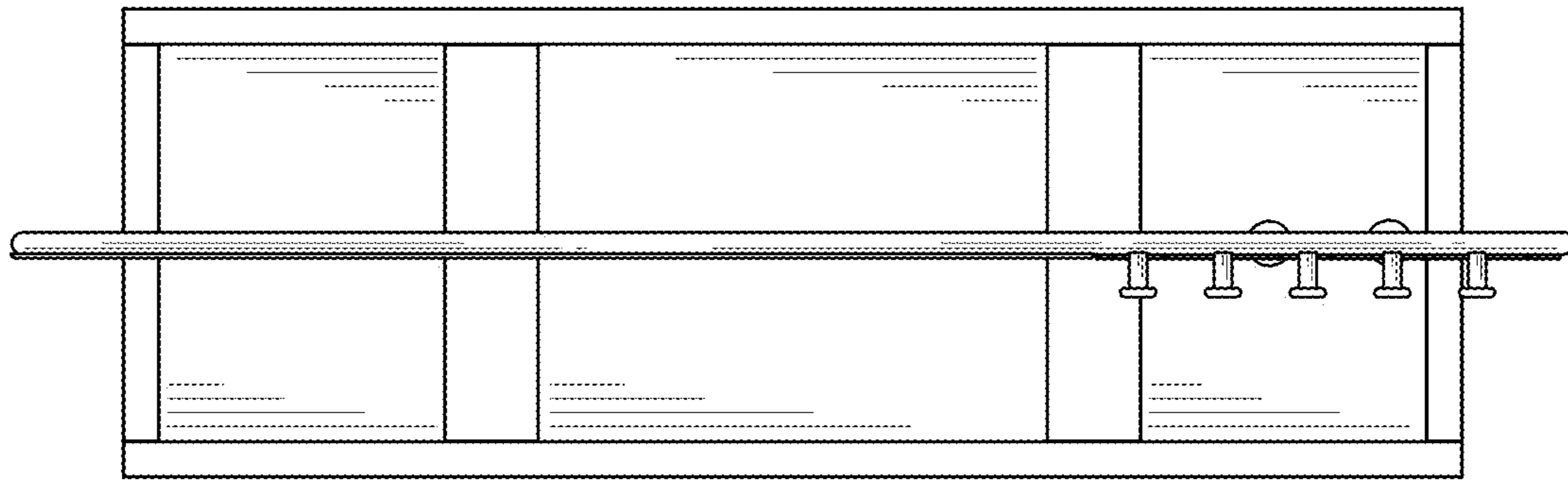


FIG. 6

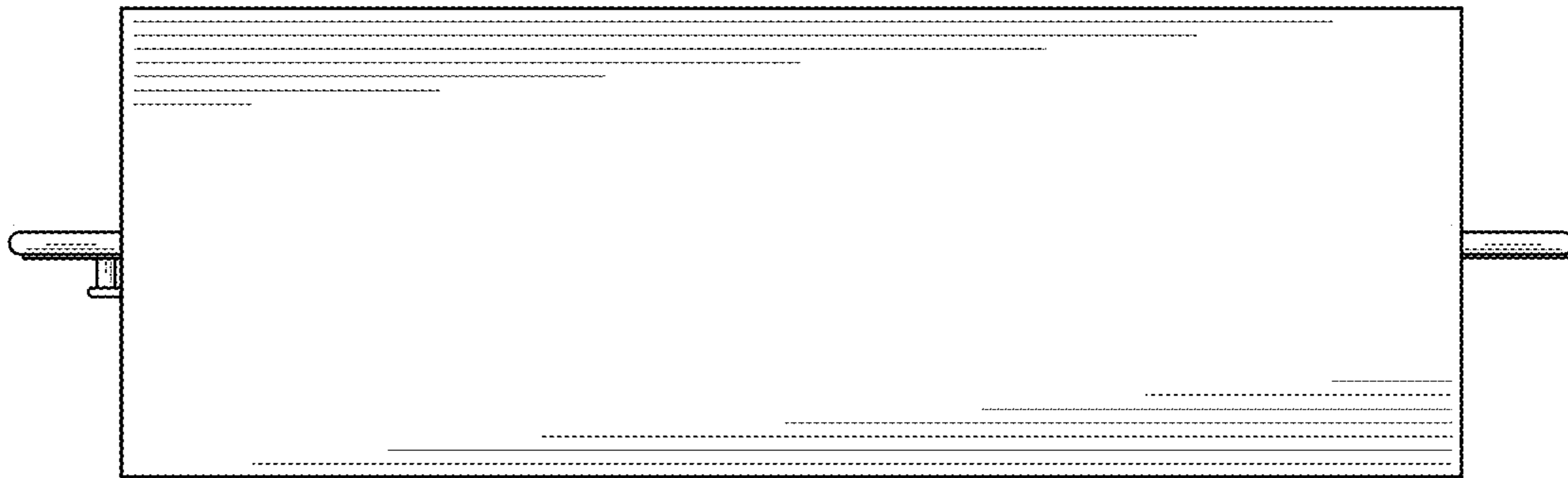


FIG. 7