



US00D946328S

(12) **United States Design Patent** (10) **Patent No.:** **US D946,328 S**
Thomas et al. (45) **Date of Patent:** **** Mar. 22, 2022**

(54) **JEWELRY HOLDER**
(71) Applicants: **Andrea M. Thomas**, Missouri City, TX (US); **Victor E. White**, Missouri City, TX (US)

(72) Inventors: **Andrea M. Thomas**, Missouri City, TX (US); **Victor E. White**, Missouri City, TX (US)

(**) Term: **15 Years**

(21) Appl. No.: **29/652,402**

(22) Filed: **Aug. 6, 2020**

(51) **LOC (13) Cl.** **06-06**

(52) **U.S. Cl.**
USPC **D6/682.1**

(58) **Field of Classification Search**
USPC D6/315, 317, 546, 549, 552-553, 567, D6/569, 574, 570, 682, 682.1; D26/72
CPC A47F 5/0006; A47F 5/0018; A47F 5/0043; A47F 5/08; A47F 5/0807; A47F 7/00; A47F 7/02
See application file for complete search history.

(56) **References Cited**

U.S. PATENT DOCUMENTS

D77,776 S * 2/1929 Johnson D6/683
D124,018 S * 12/1940 Davis D26/86

D486,600 S * 2/2004 Coe D26/73
D544,990 S * 6/2007 Guercio D26/118
D584,537 S * 1/2009 Cuzzocrea D6/678.2
D769,025 S * 10/2016 Eberling D6/569
D897,890 S * 10/2020 Stevens D11/143

* cited by examiner

Primary Examiner — Kelley A Donnelly
(74) *Attorney, Agent, or Firm* — B. Alicia Johnson

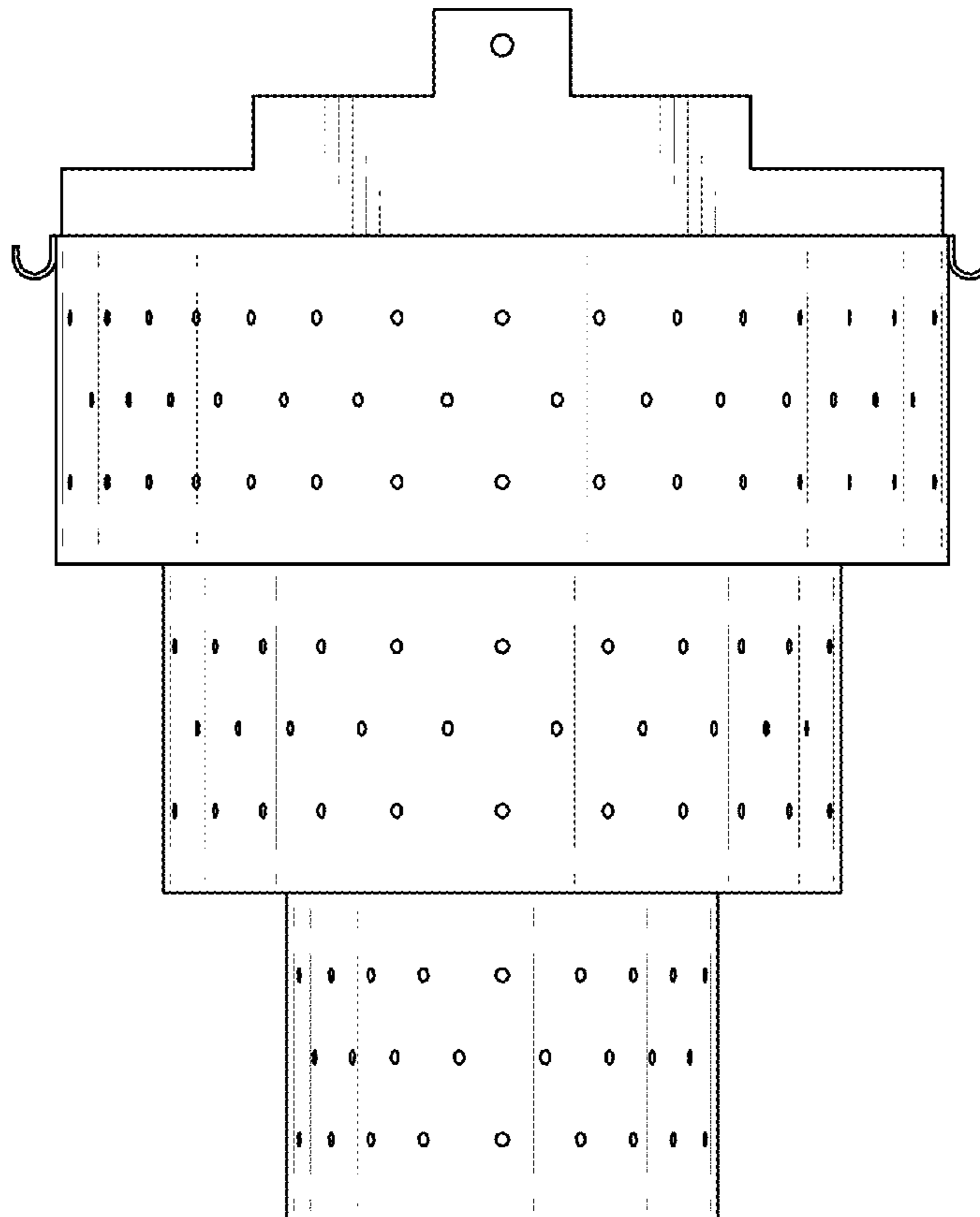
(57) **CLAIM**

The ornamental design for a jewelry holder, as shown and described.

DESCRIPTION

FIG. 1 depicts a front elevational view of a jewelry holder showing the new design;
FIG. 2 depicts a rear elevational view thereof;
FIG. 3 depicts a top plan view thereof;
FIG. 4 depicts a bottom plan view thereof;
FIG. 5 depicts a right side elevational view thereof;
FIG. 6 depicts a left side elevational view thereof;
FIG. 7 depicts a top left perspective view thereof; and,
FIG. 8 depicts a bottom left perspective view thereof.

1 Claim, 8 Drawing Sheets



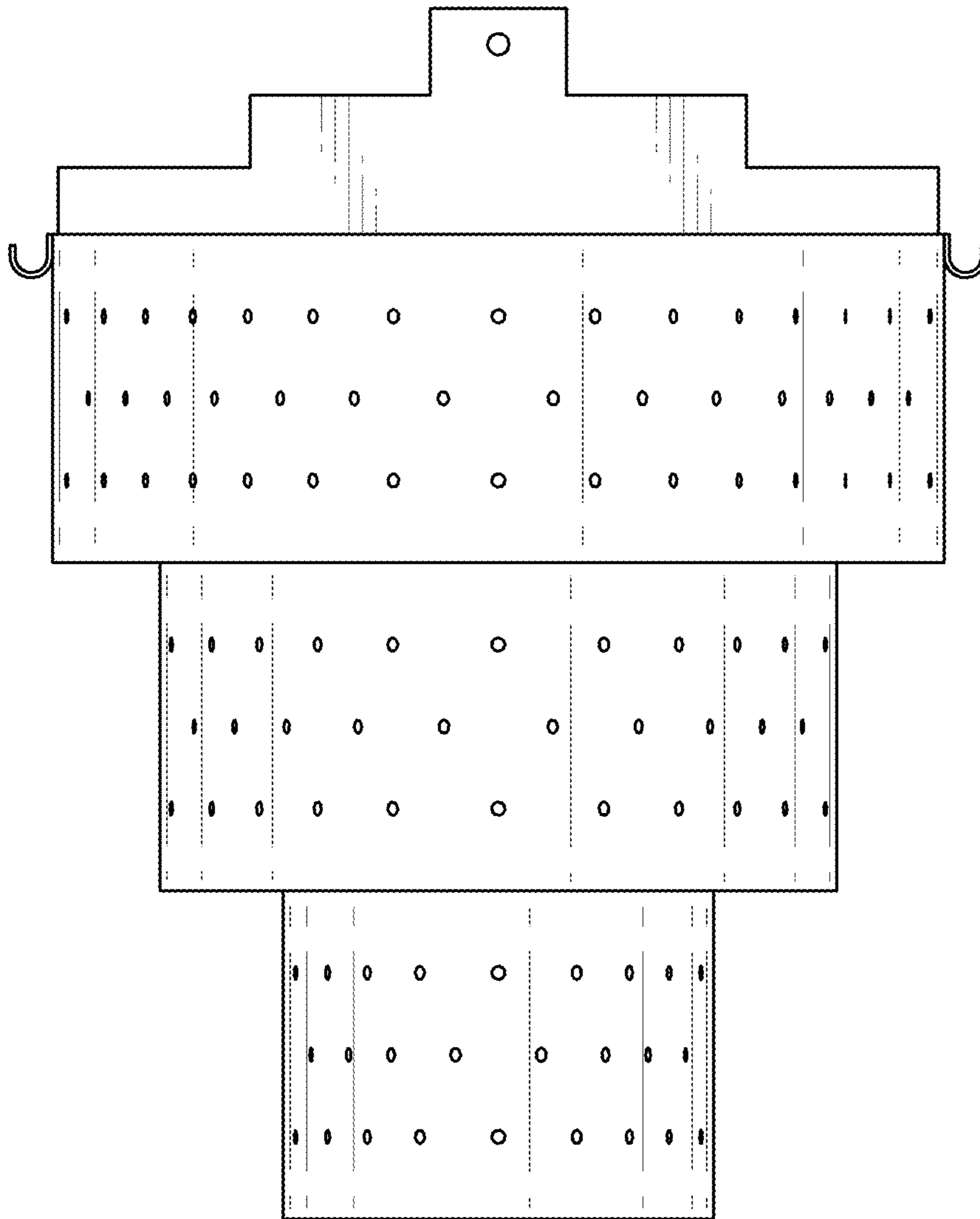


FIG. 1

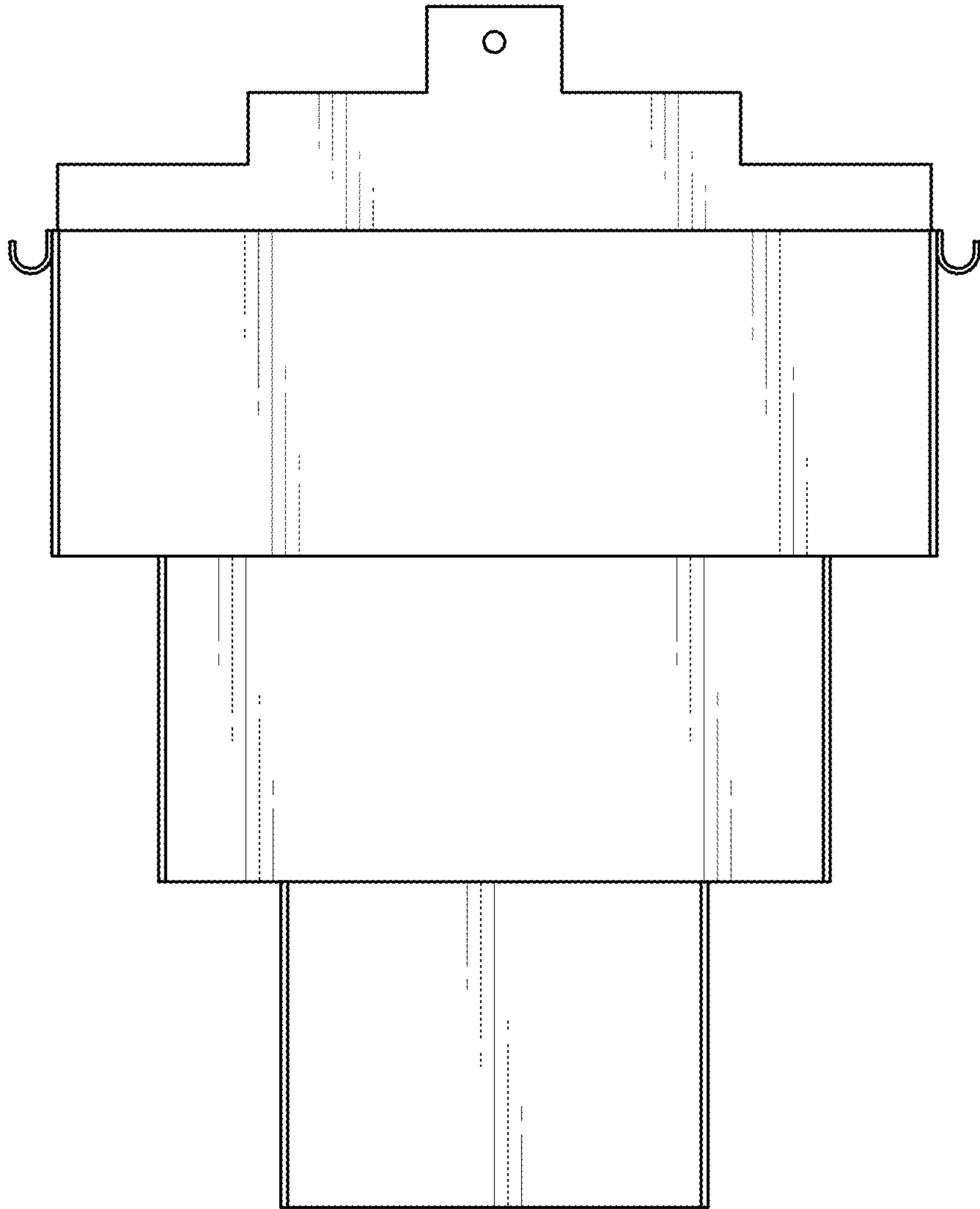


FIG. 2

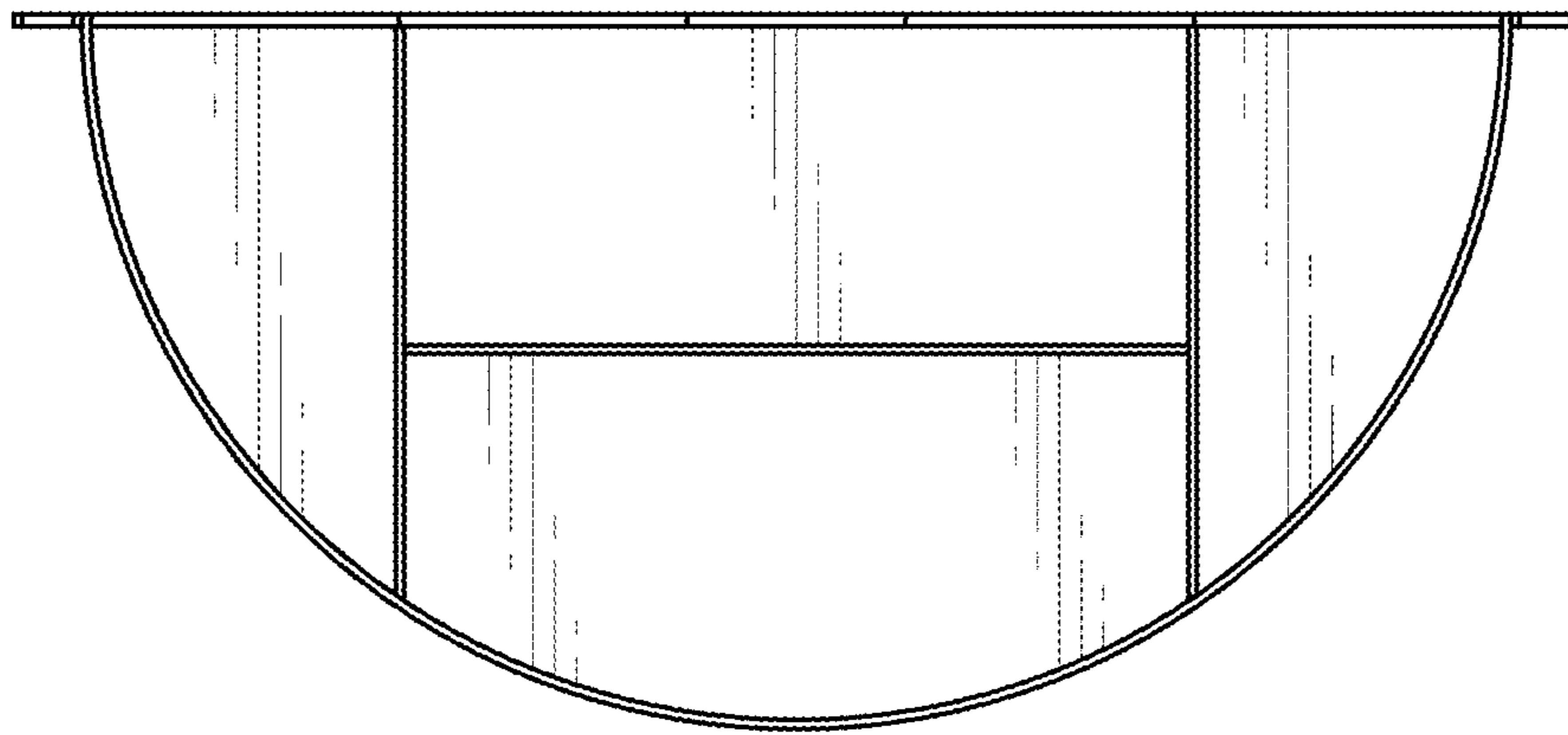


FIG. 3

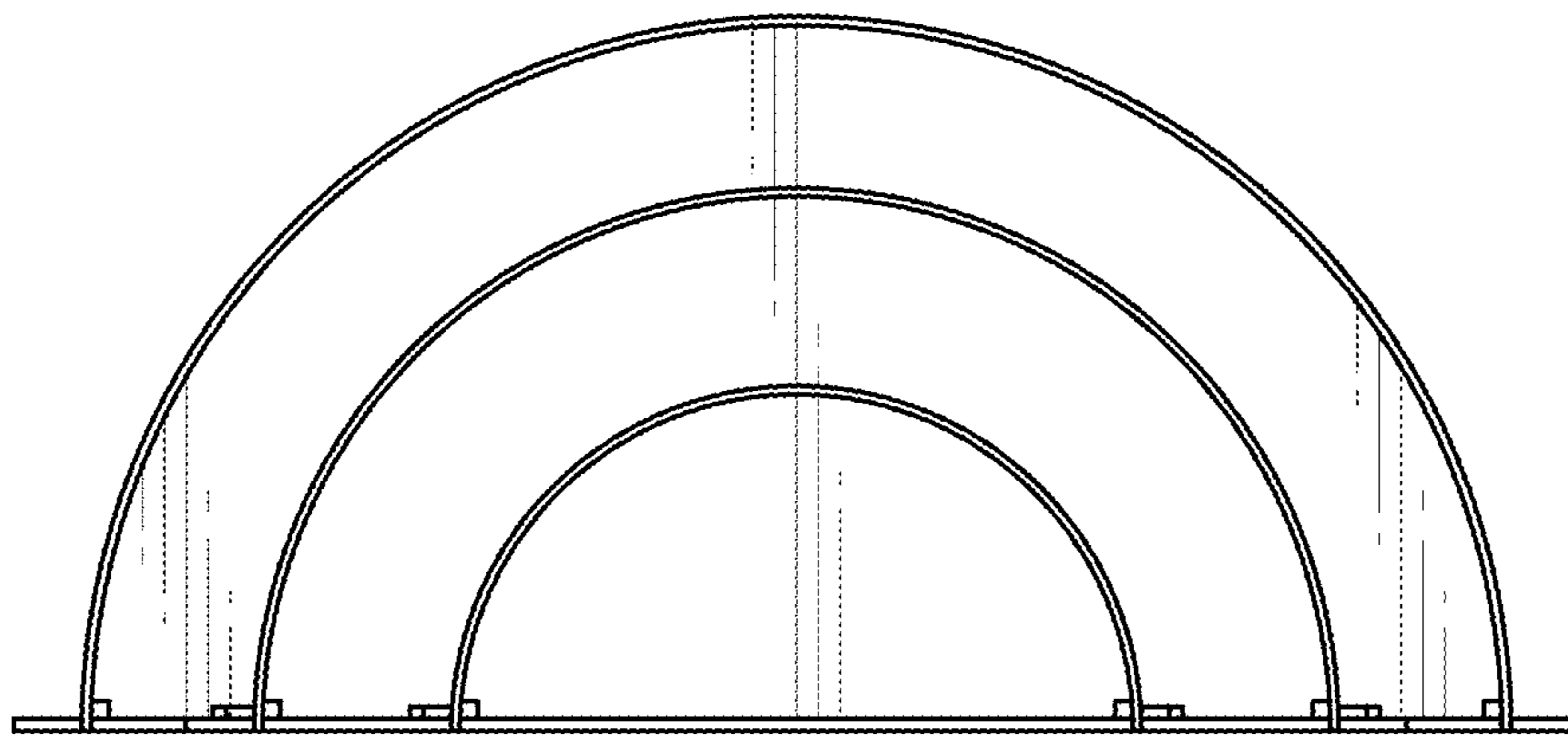


FIG. 4

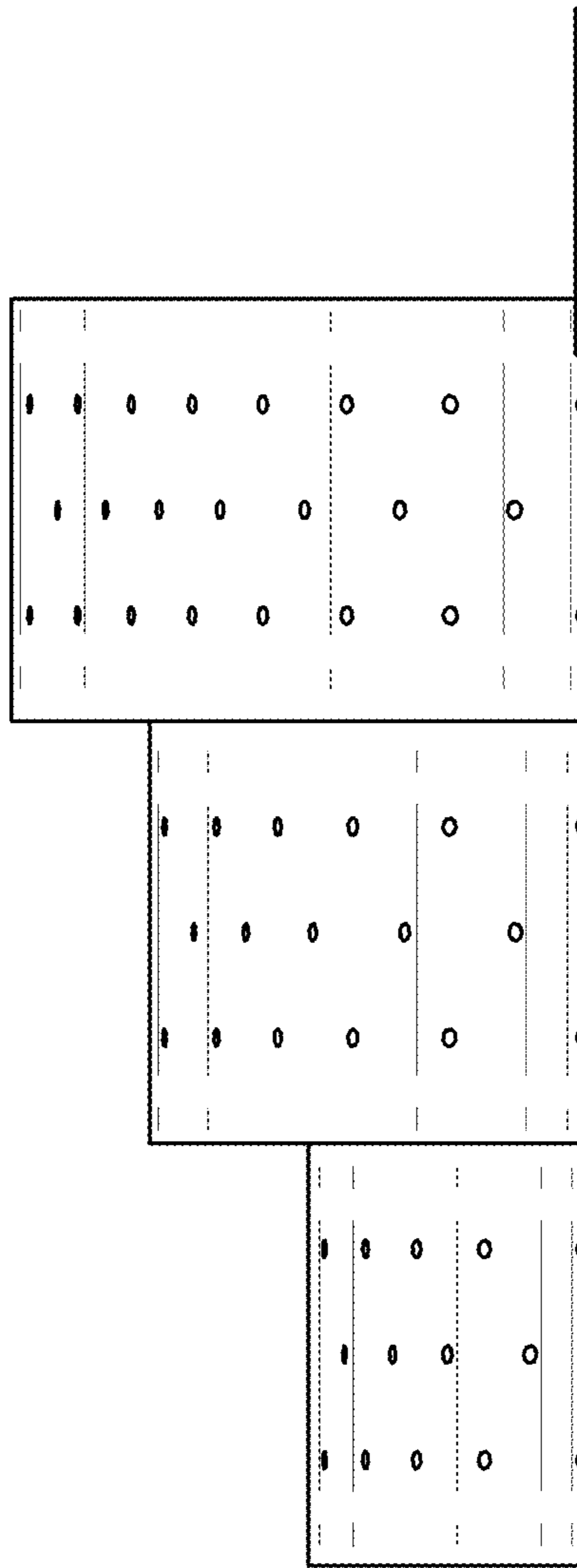


FIG. 5

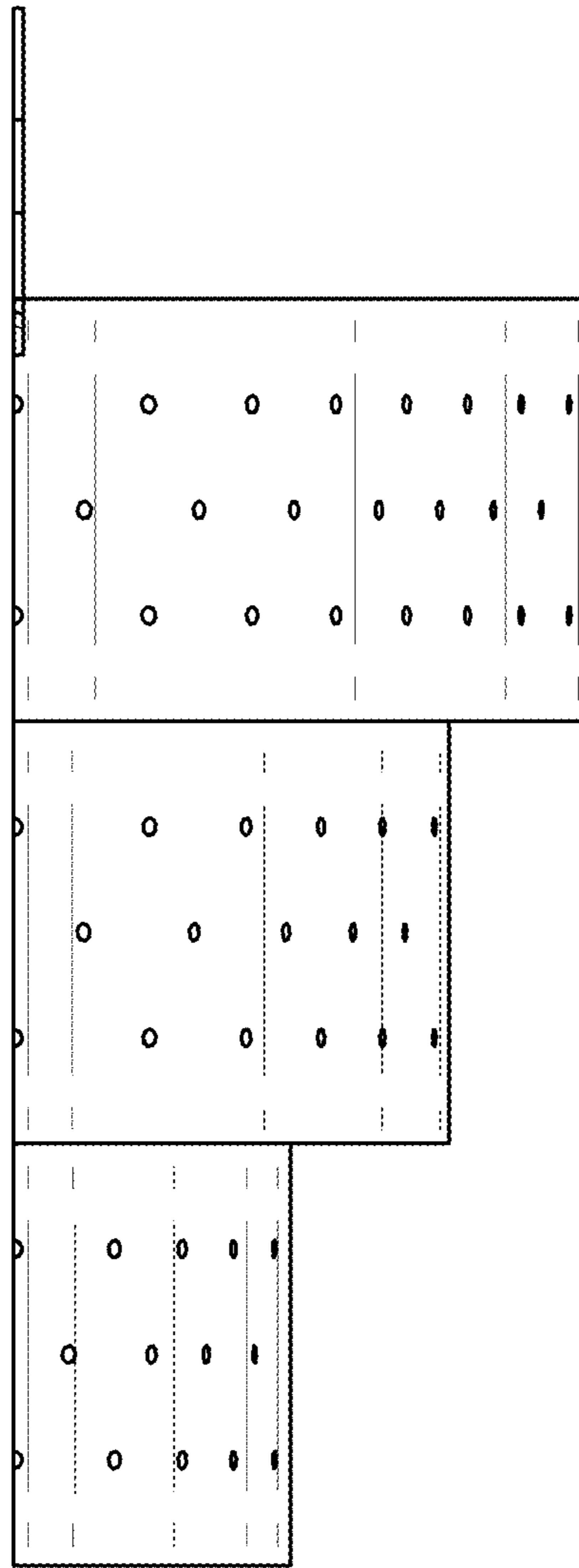


FIG. 6

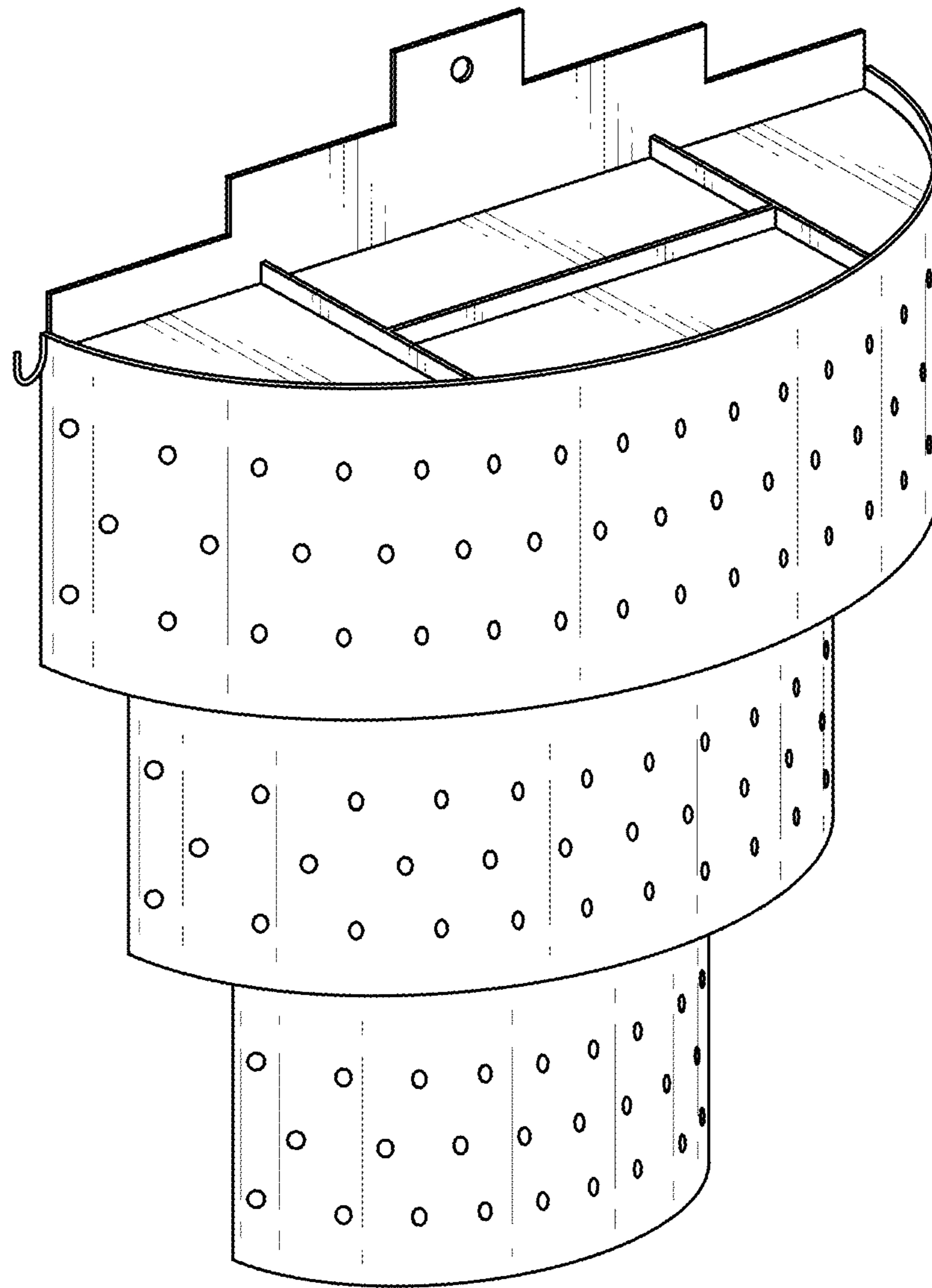


FIG. 7

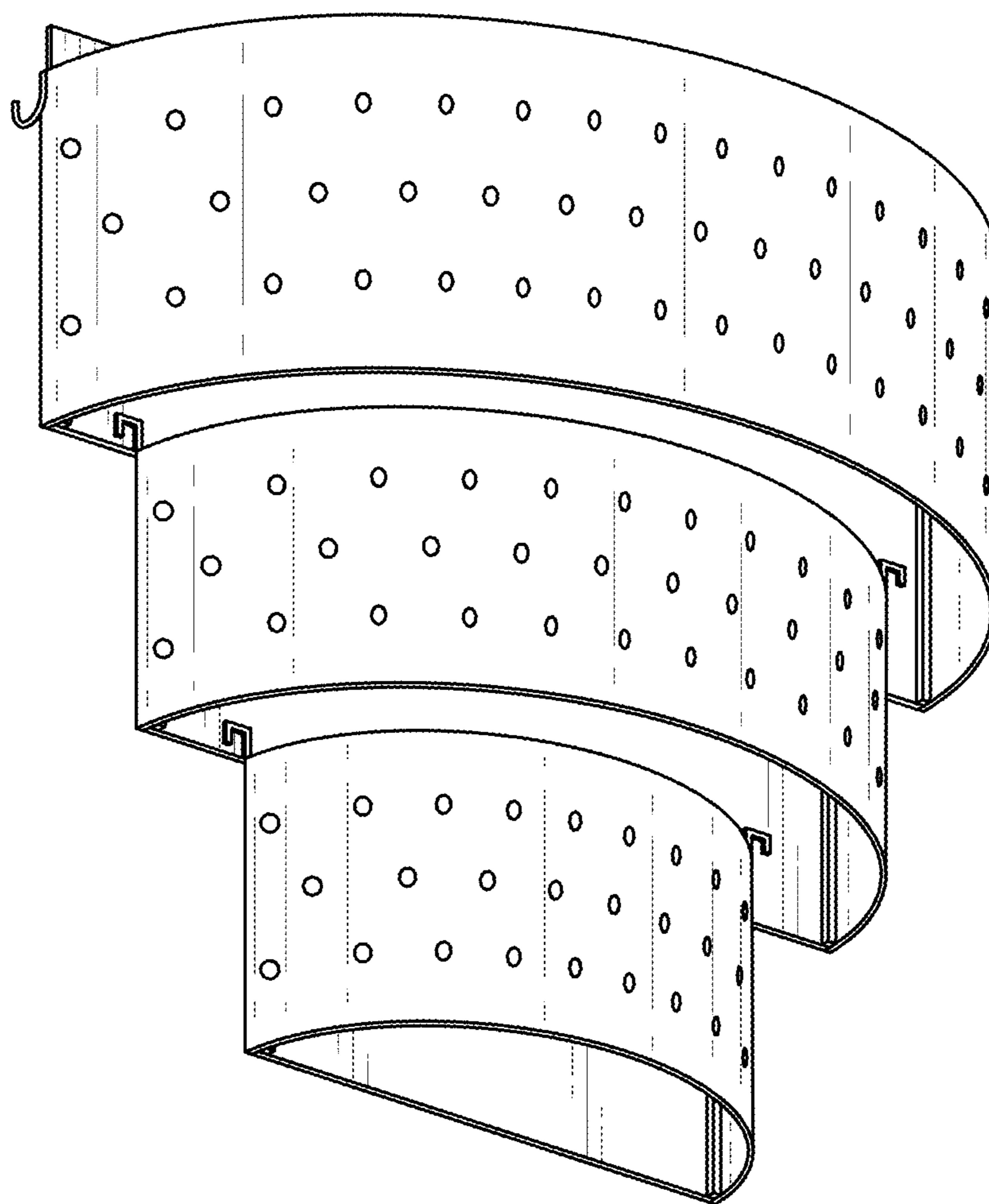


FIG. 8