



US00D946325S

(12) **United States Design Patent** (10) **Patent No.:** **US D946,325 S**
Inouye et al. (45) **Date of Patent:** **** Mar. 22, 2022**

(54) **RETAIL FIXTURE**

(56) **References Cited**

(71) Applicant: **Apple Inc.**, Cupertino, CA (US)

U.S. PATENT DOCUMENTS

(72) Inventors: **Allison Inouye**, San Francisco, CA (US); **Jean-Marc Gady**, Los Altos, CA (US); **Ismael Flores Trujano**, San Jose, CA (US); **Gregory Guillaume Lespinard**, San Jose, CA (US); **Mi Zou**, San Francisco, CA (US); **Po Huang**, San Jose, CA (US); **Wesley Bryan Hamm**, San Francisco, CA (US); **Russell John Kaaihue Heirakuji**, Cupertino, CA (US); **Joshua Robert Edwards**, Santa Cruz, CA (US); **Nicholas E. Corti**, San Francisco, CA (US); **Manuel Dejesus**, San Francisco, CA (US); **Alice Marlin Brugger**, San Francisco, CA (US)

3,289,616 A * 12/1966 Donihi B25H 1/02
108/161
D207,972 S * 6/1967 Bellaire D25/68
D214,741 S * 7/1969 Desn D6/691.8
D239,584 S * 4/1976 Vrignaud D6/691.8
D583,590 S * 12/2008 Ellouz A47B 13/16
D6/691.8
D659,433 S * 5/2012 Starck D6/656.19
D710,135 S * 8/2014 Rasenberg D6/691.8
D766,630 S * 9/2016 Akana et al.
D766,631 S * 9/2016 Akana D6/691.9
D769,654 S 10/2016 Akana et al.
D773,868 S 12/2016 Schwalbach et al.
D780,491 S * 3/2017 Magargee B25H 1/02
D6/691.8

(Continued)

Primary Examiner — Mary Ann Calabrese

(73) Assignee: **Apple Inc.**, Cupertino, CA (US)

(74) *Attorney, Agent, or Firm* — Sterne, Kessler, Goldstein & Fox P.L.L.C.

(**) Term: **15 Years**

(57) **CLAIM**

(21) Appl. No.: **29/713,507**

The ornamental design for a retail fixture, as shown and described.

(22) Filed: **Nov. 15, 2019**

(51) **LOC (13) Cl.** **06-04**

(52) **U.S. Cl.**

USPC **D6/675**; D6/691.8

(58) **Field of Classification Search**

USPC D6/349, 641, 642, 684–686, 690, 691, D6/691.1–691.9, 672, 675

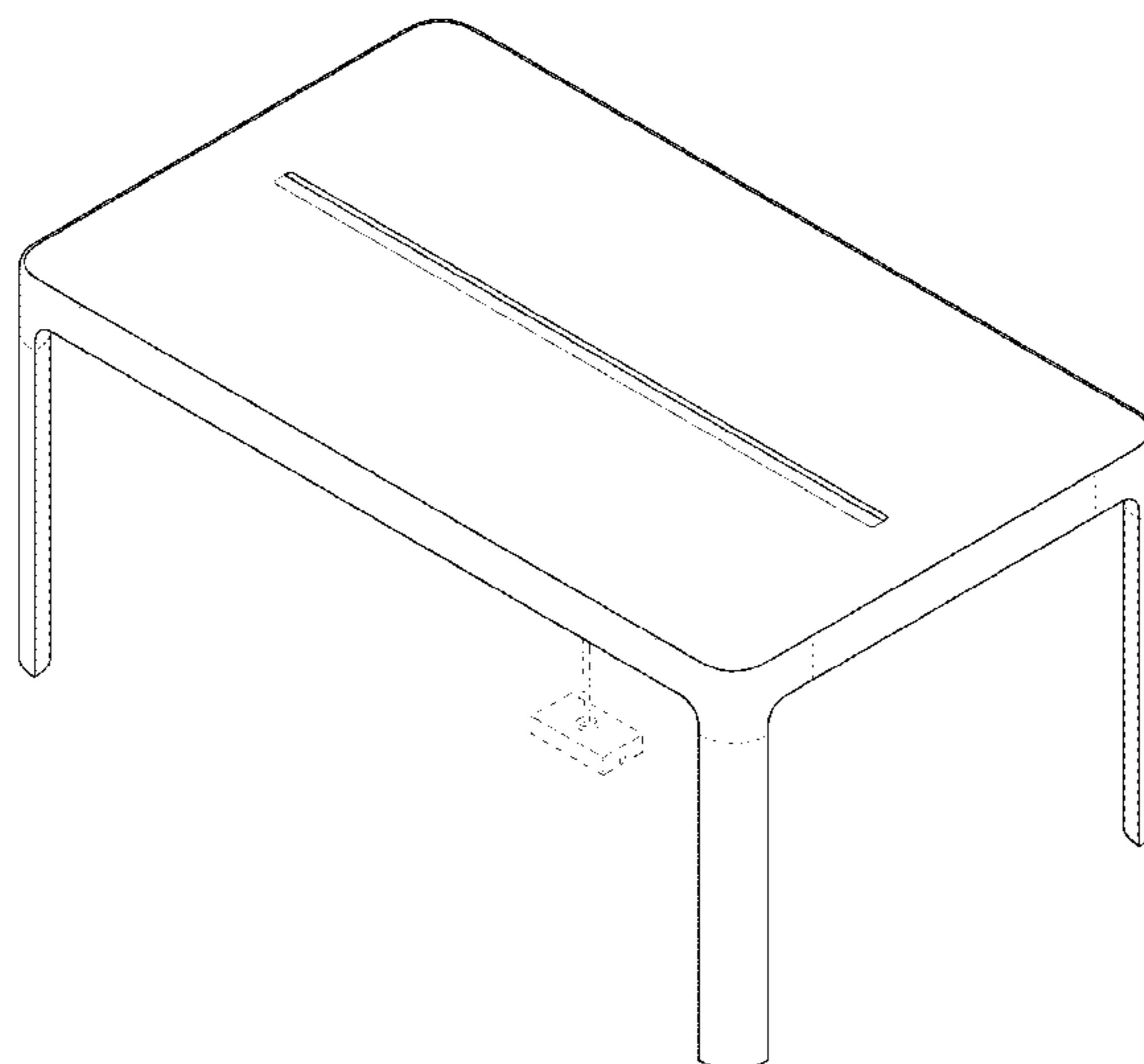
CPC .. A47B 3/00; A47B 3/002; A47B 3/02; A47B 3/08; A47B 2003/008; A47B 7/00; A47B 13/00; A47B 13/02; A47B 13/04; A47B 13/06; A47B 13/08; A47B 13/10; A47B 13/12; A47B 17/00; A47B 21/00; A47B 47/00; A47B 47/041; A47B 55/00; A47B 2200/0001; A47B 2200/0011; A47B 2200/002; A47F 9/00; A47F 9/02; A47F 9/04

DESCRIPTION

FIG. 1 is a top front perspective view of a retail fixture showing the claimed design;
FIG. 2 is a front view thereof;
FIG. 3 is a rear view thereof;
FIG. 4 is a left side view thereof;
FIG. 5 is a right side view thereof;
FIG. 6 is a top view thereof; and,
FIG. 7 is a bottom view thereof.
The broken lines in the figures show portions of the retail fixture that form no part of the claimed design.

See application file for complete search history.

1 Claim, 4 Drawing Sheets



(56)

References Cited

U.S. PATENT DOCUMENTS

D804,229 S * 12/2017 Chang D6/707.19
D811,784 S * 3/2018 Sartain D6/684
D827,346 S * 9/2018 Lowsky D6/691.8
2015/0173505 A1* 6/2015 Mirth A47B 13/16
211/186

* cited by examiner

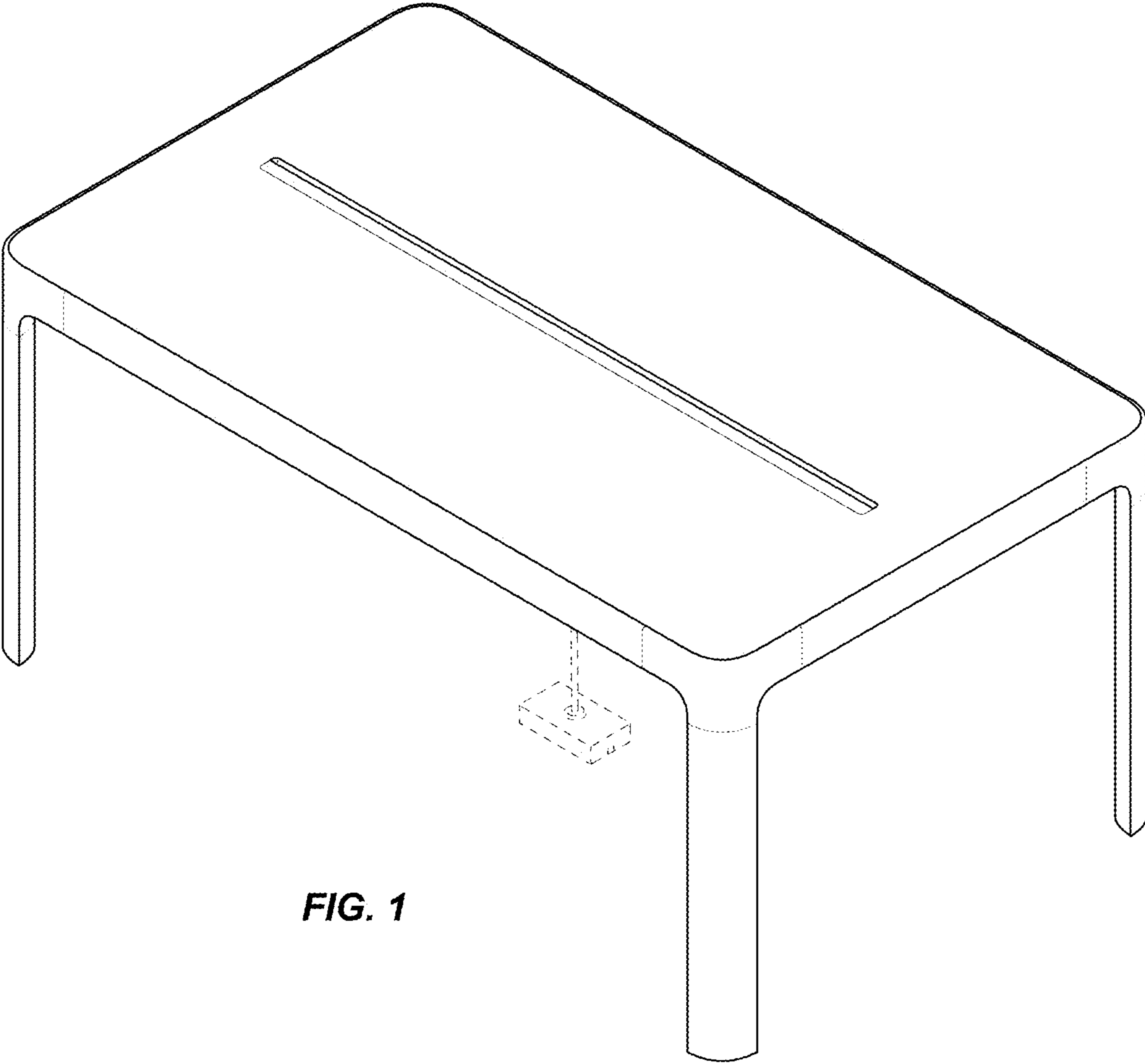


FIG. 1

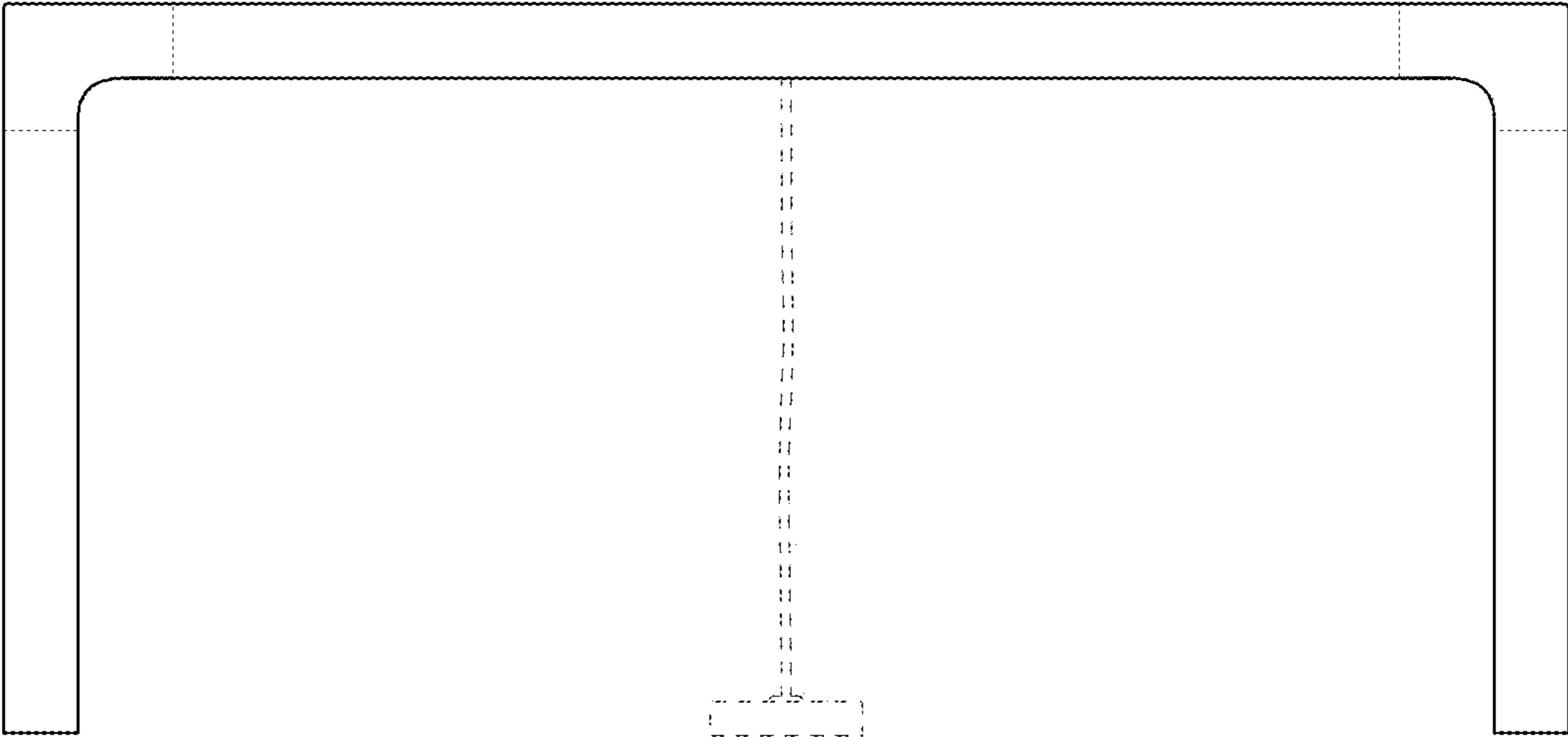


FIG. 2

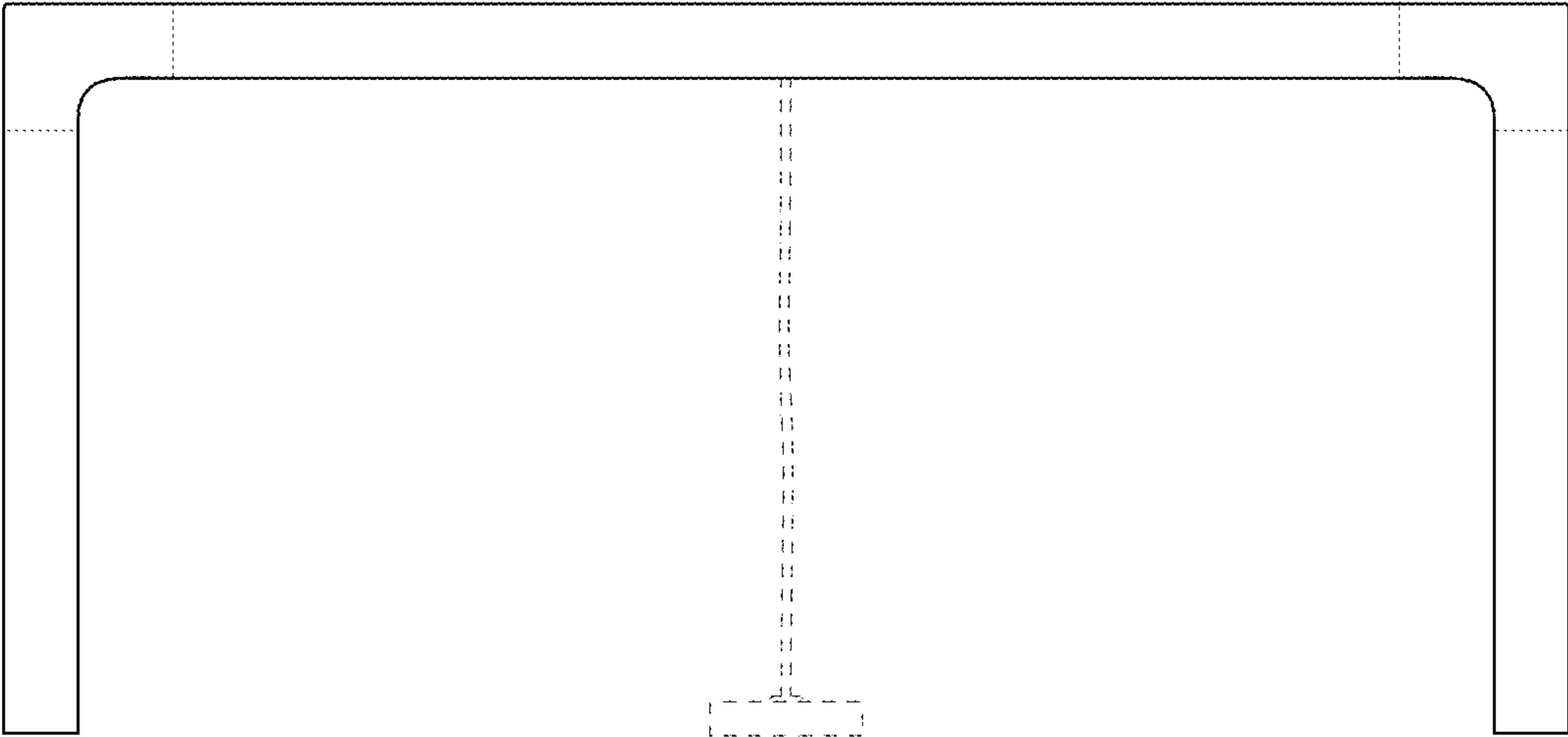


FIG. 3

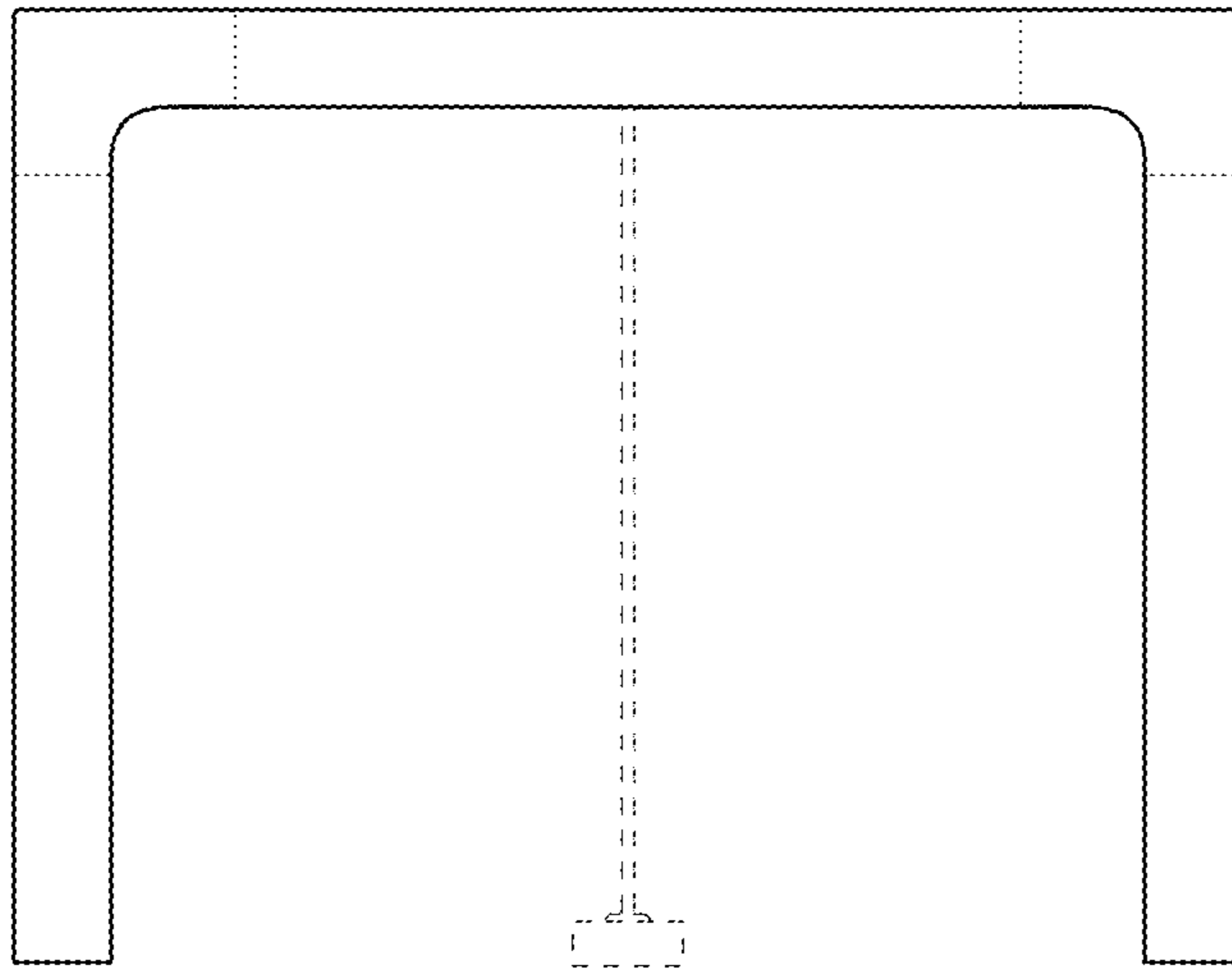


FIG. 4

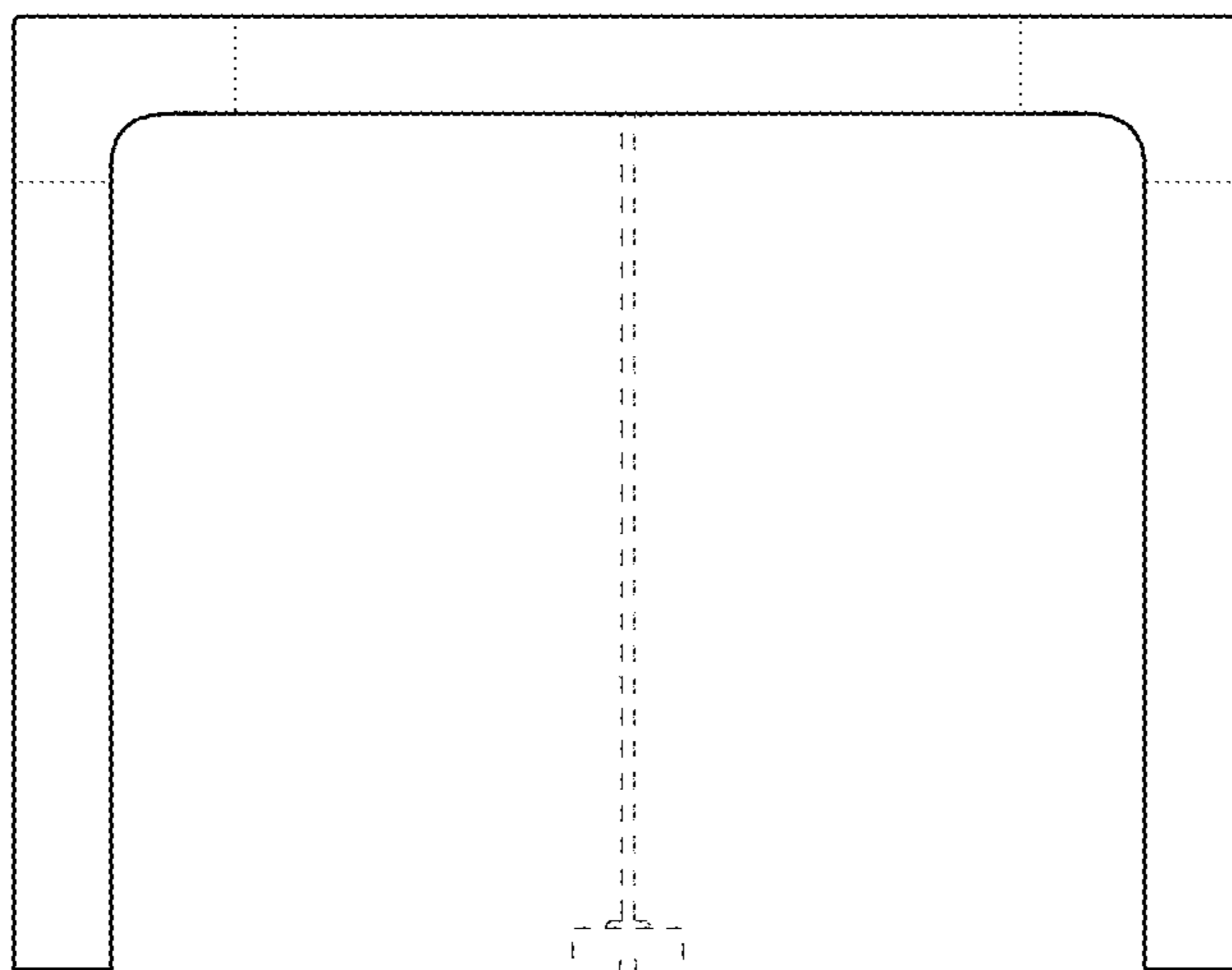


FIG. 5

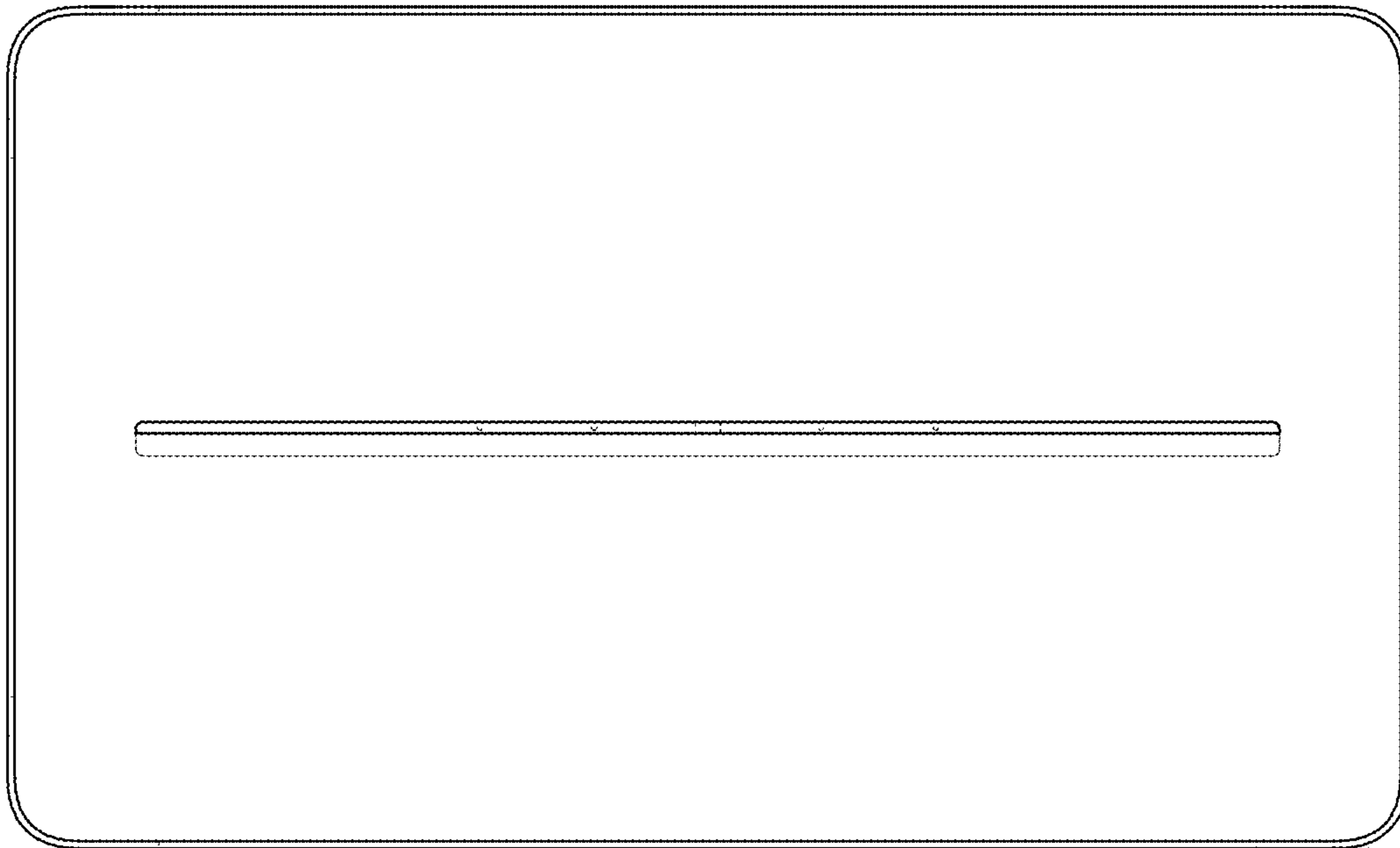


FIG. 6

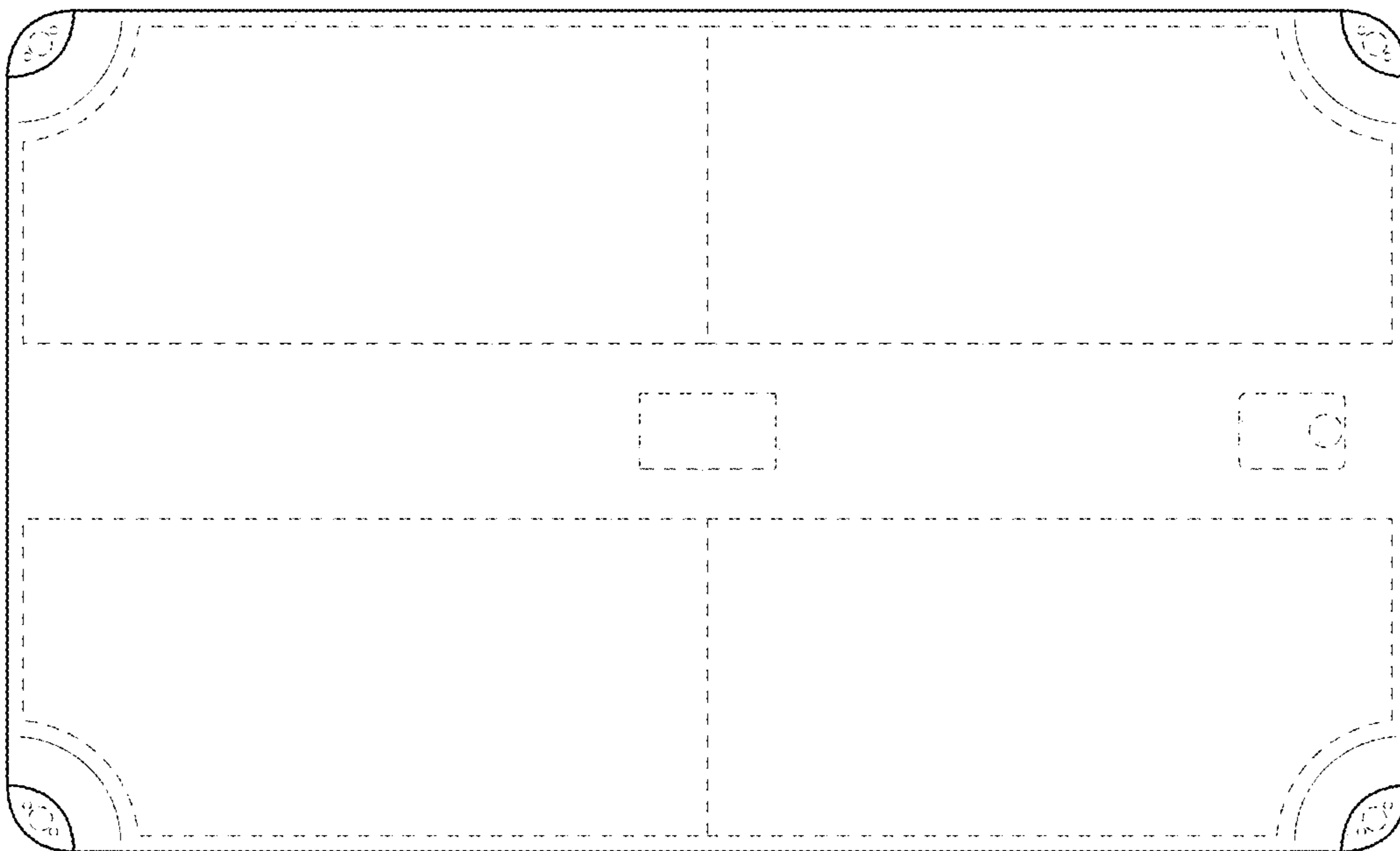


FIG. 7