



US00D946321S

(12) **United States Design Patent**  
**Sethapun**

(10) **Patent No.:** **US D946,321 S**

(45) **Date of Patent:** **\*\* Mar. 22, 2022**

- (54) **CREDENZA FOR AN AIRCRAFT**
- (71) Applicant: **Gulfstream Aerospace Corporation**, Savannah, GA (US)
- (72) Inventor: **Kevin Sethapun**, Savannah, GA (US)
- (73) Assignee: **Gulfstream Aerospace Corporation**, Savannah, GA (US)
- (\*\*) Term: **15 Years**
- (21) Appl. No.: **29/699,473**
- (22) Filed: **Jul. 25, 2019**
- (51) **LOC (13) Cl.** ..... **06-04**
- (52) **U.S. Cl.**  
USPC ..... **D6/671; D12/345**
- (58) **Field of Classification Search**  
USPC ... D6/601, 657, 660–662, 662.1, 671, 671.1, D6/672, 691.8, 702; D12/319, 323, 325, D12/336, 345, 423, 415, 416; D14/125–134, 307, 308, 336, 371; D99/28  
CPC ..... A47B 1/05; A47B 85/04; A47B 83/00; B64D 11/064; B64D 11/0605; B64D 11/0601; B64D 11/0627  
See application file for complete search history.

- D721,521 S \* 1/2015 Lehmann ..... D6/661
- D738,647 S \* 9/2015 Muller ..... D6/669
- D772,778 S \* 11/2016 Sethapun ..... D12/345
- D772,779 S \* 11/2016 Fulford ..... D12/345
- D781,620 S \* 3/2017 Curthelet ..... D6/671
- D799,406 S \* 10/2017 Sethapun ..... D12/345
- D830,077 S \* 10/2018 D'Halluin ..... D6/356
- D830,085 S \* 10/2018 Curthelet ..... D6/671
- D904,080 S \* 12/2020 Curthelet ..... D6/671
- 2011/0090064 A1 \* 4/2011 Dahms ..... G06Q 10/00 340/10.42
- 2018/0118350 A1 \* 5/2018 Davis ..... A47B 83/00

\* cited by examiner

*Primary Examiner* — Darlington Ly

(74) *Attorney, Agent, or Firm* — LKGlobal | Lorenz & Kopf, LLP

(57) **CLAIM**

The ornamental design for a credenza for an aircraft, as shown and described.

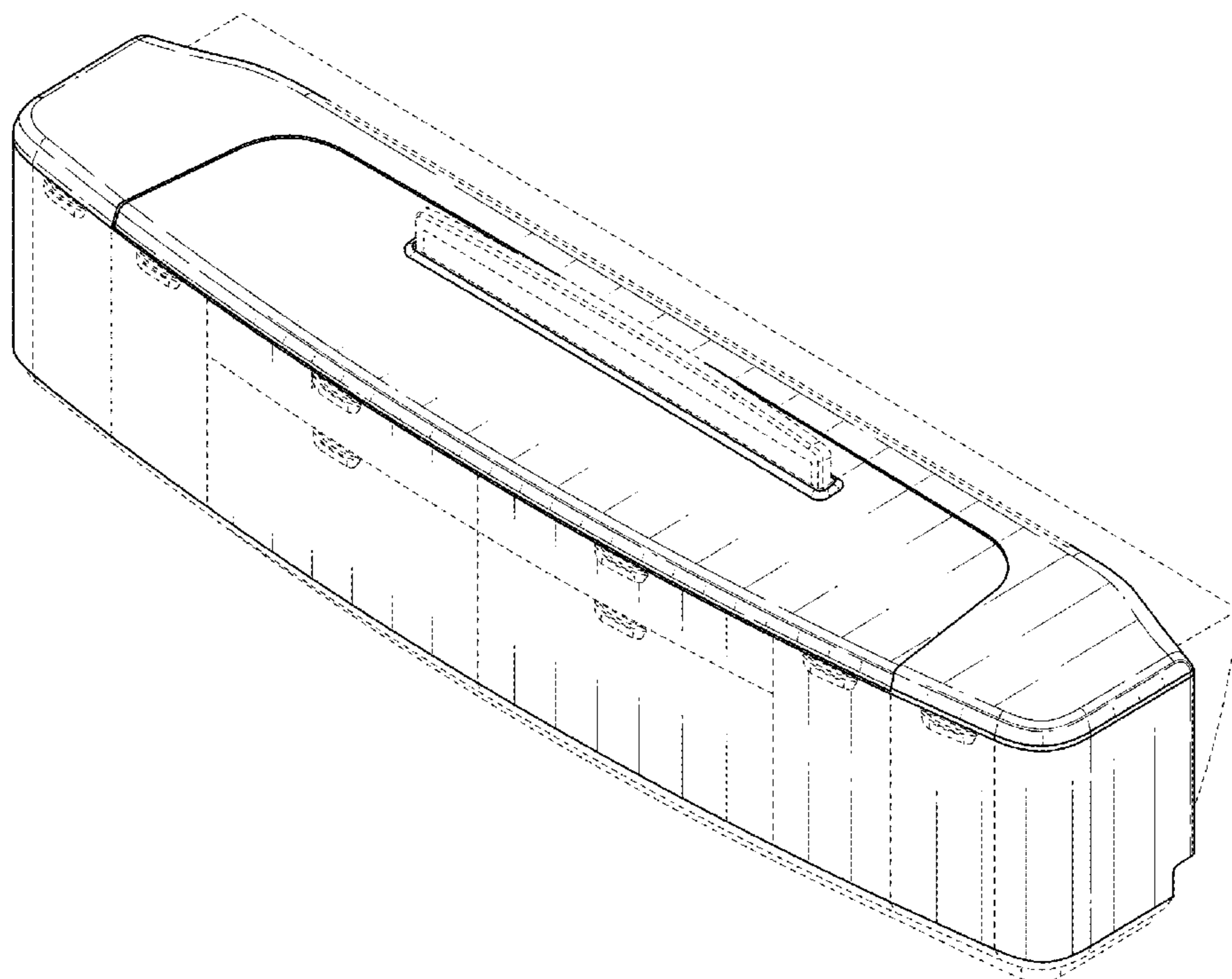
**DESCRIPTION**

FIG. 1 is a perspective view of a credenza for an aircraft embodying my new design;  
 FIG. 2 is a front elevation view thereof;  
 FIG. 3 is a rear elevation view thereof;  
 FIG. 4 is a right side elevation view thereof;  
 FIG. 5 is a left side elevation view thereof;  
 FIG. 6 is a top plan view thereof; and,  
 FIG. 7 is a bottom plan view thereof.

The broken lines in the drawings illustrate portions of the credenza for an aircraft that form no part of the claimed design.

**1 Claim, 4 Drawing Sheets**

- (56) **References Cited**  
U.S. PATENT DOCUMENTS  
D290,665 S \* 7/1987 Snodgrass ..... D6/671.1  
D605,424 S \* 12/2009 Lovegrove ..... D6/671  
D628,138 S \* 11/2010 Collins ..... D12/345  
D711,305 S \* 8/2014 Pirie ..... D12/345



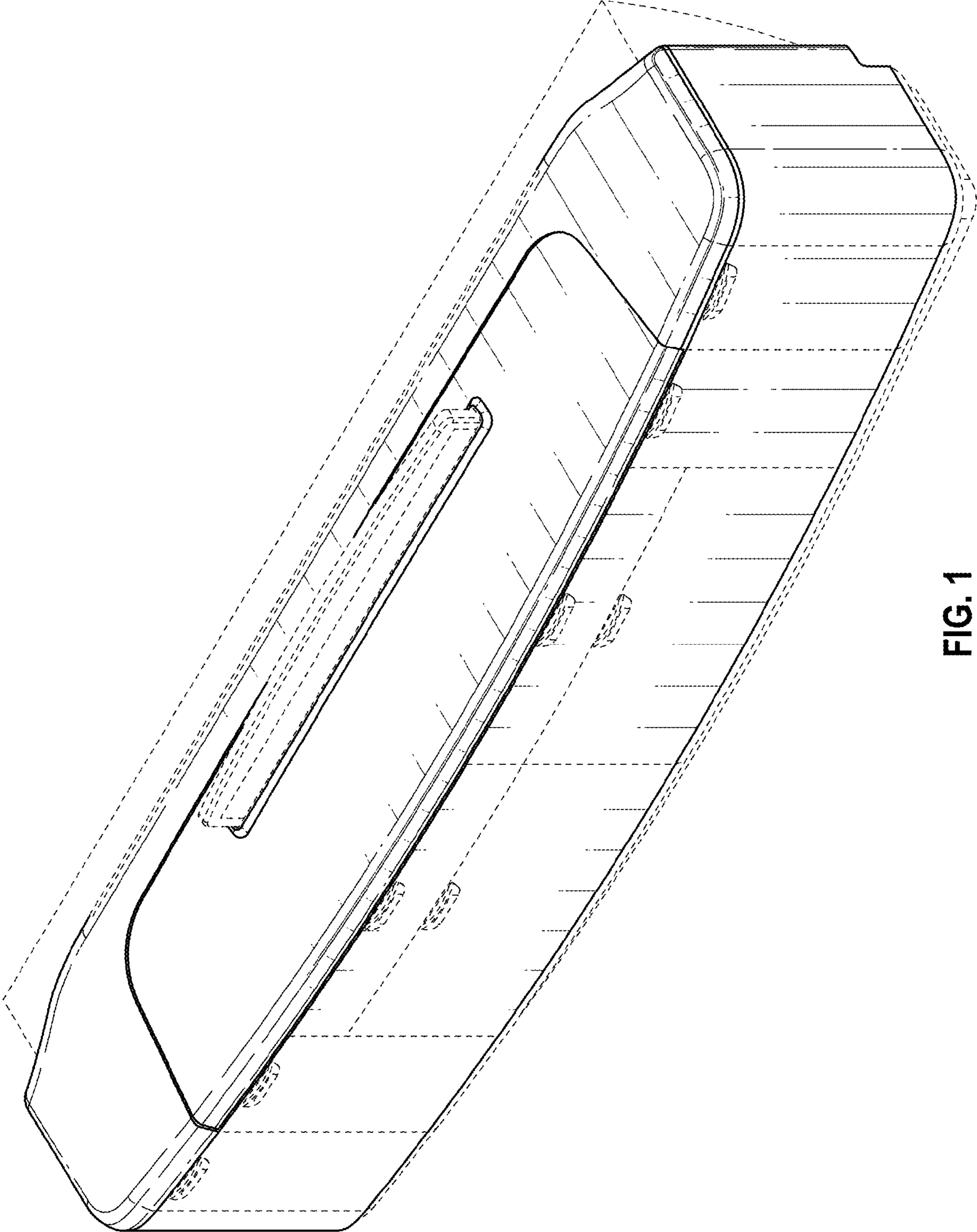


FIG. 1

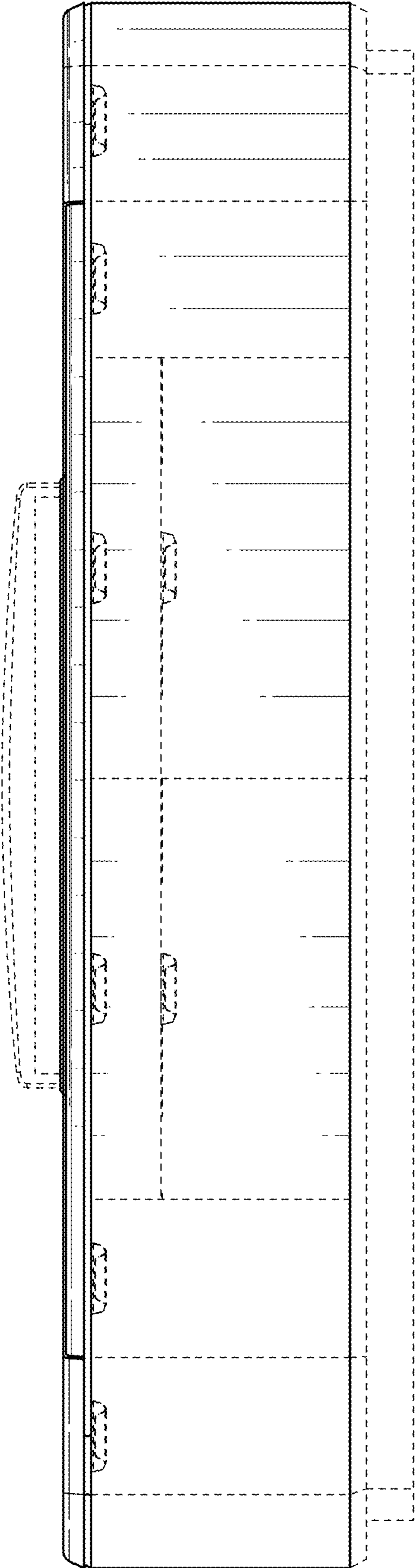


FIG. 2

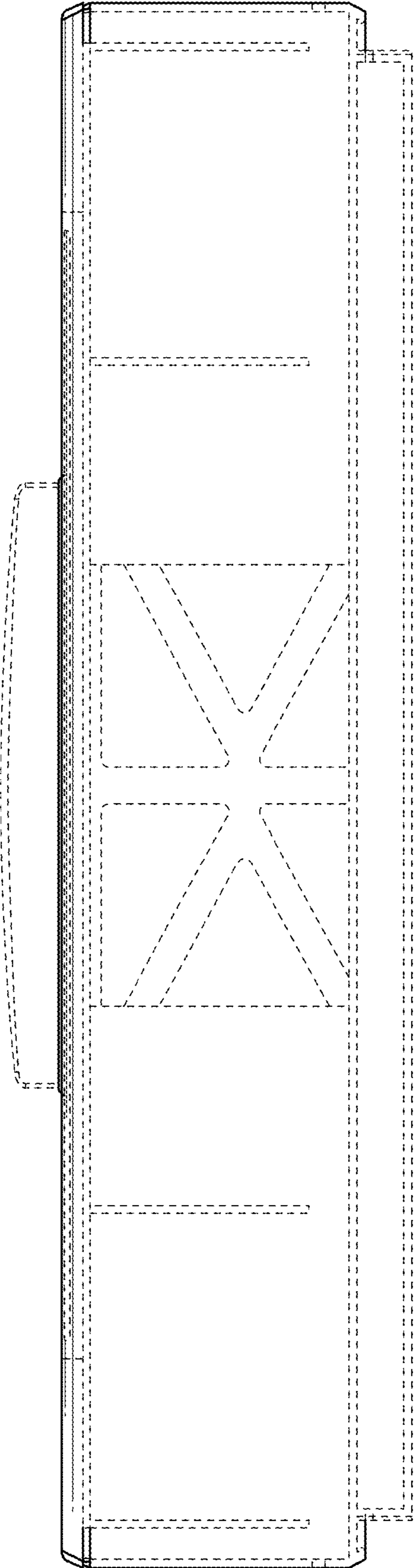


FIG. 3

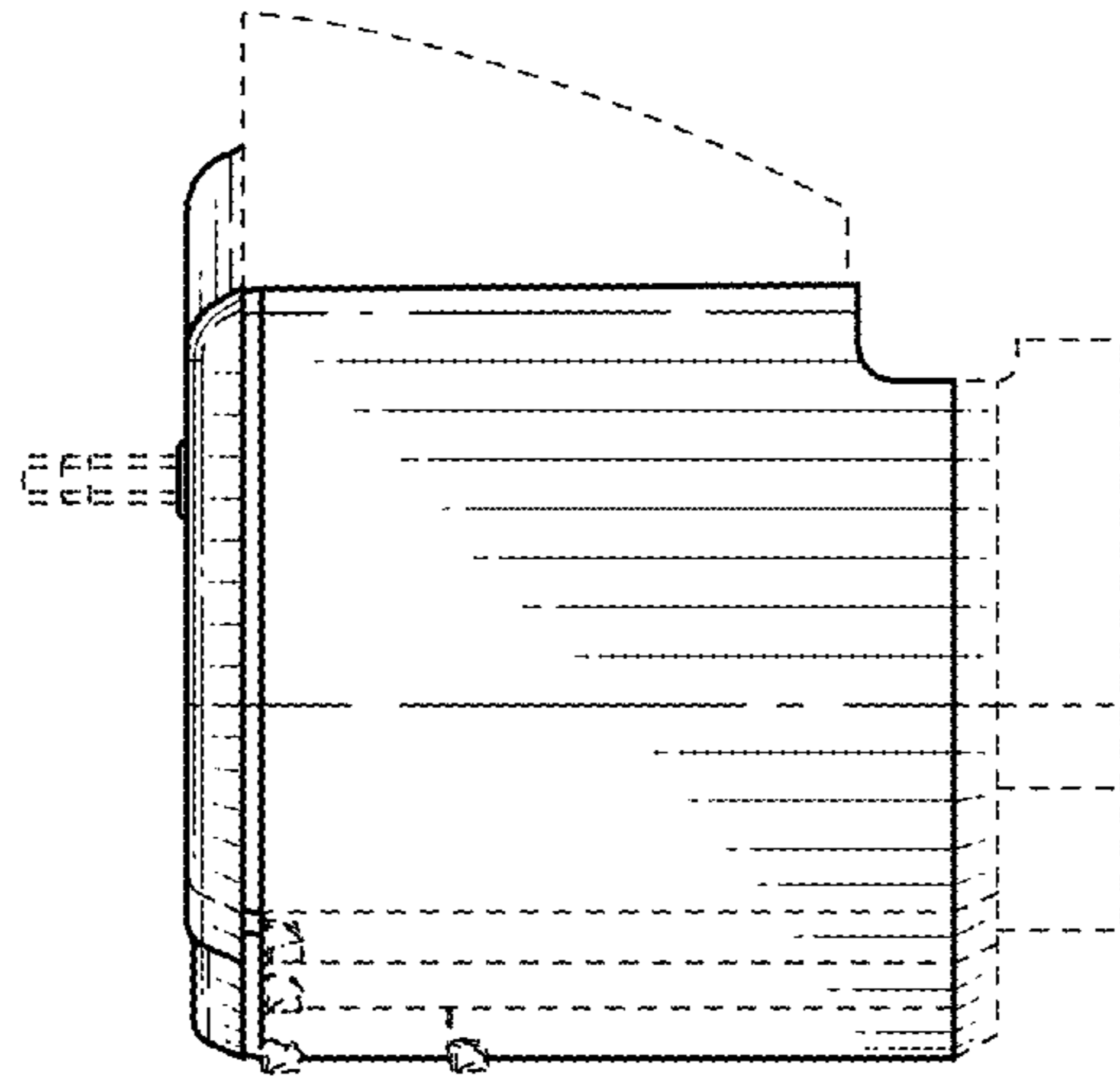


FIG. 5

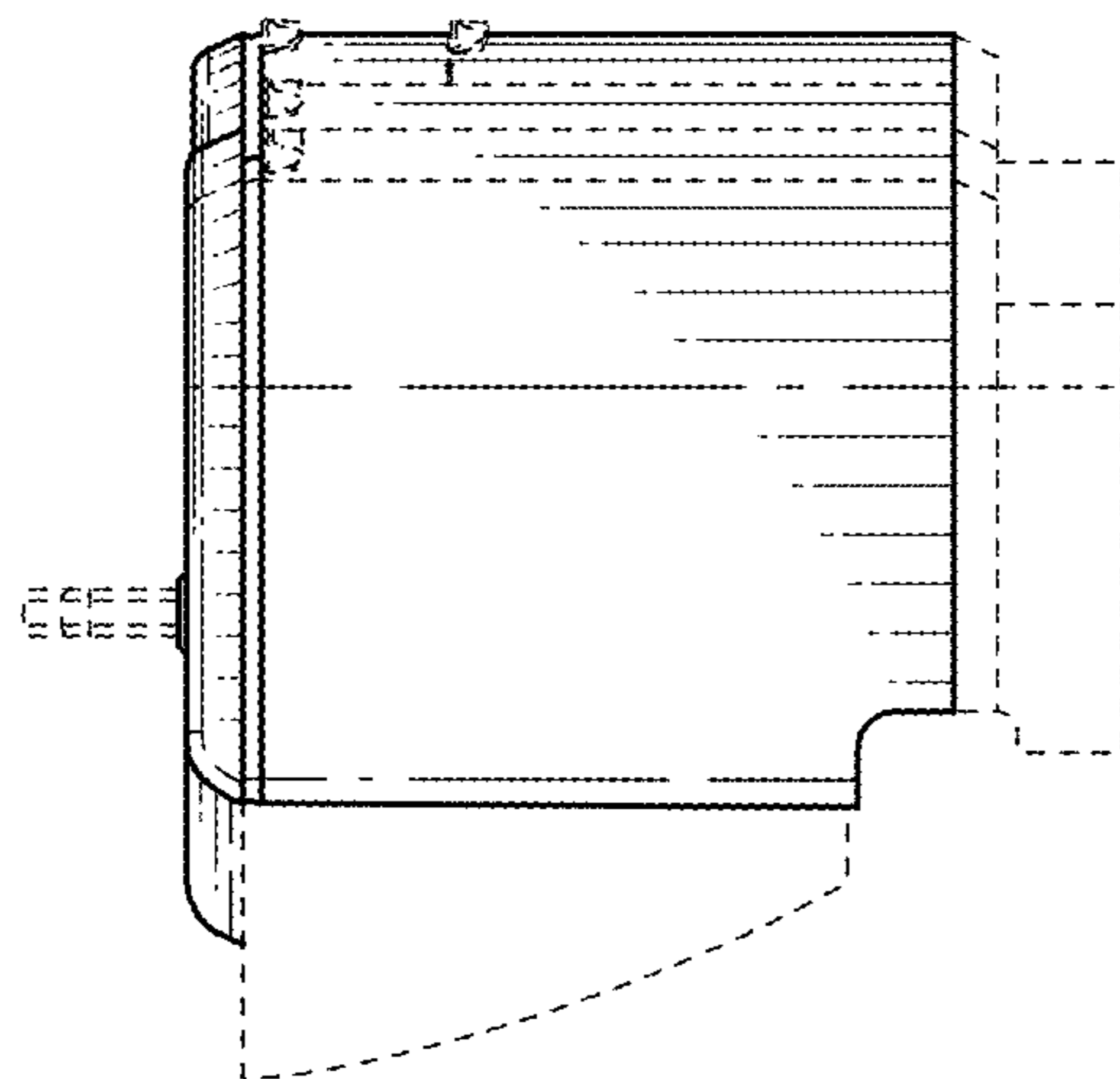


FIG. 4



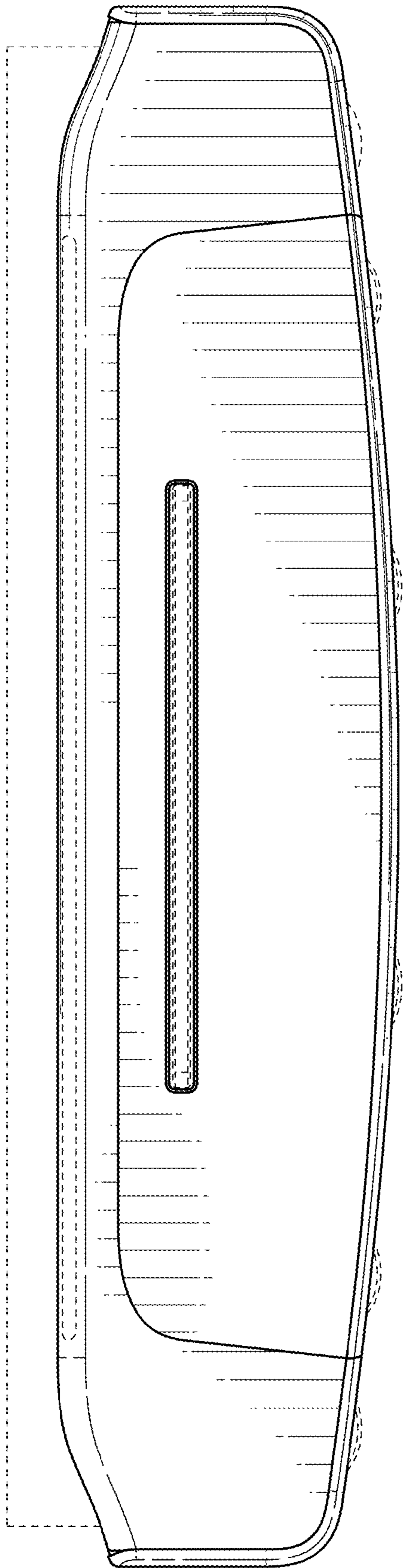


FIG. 6

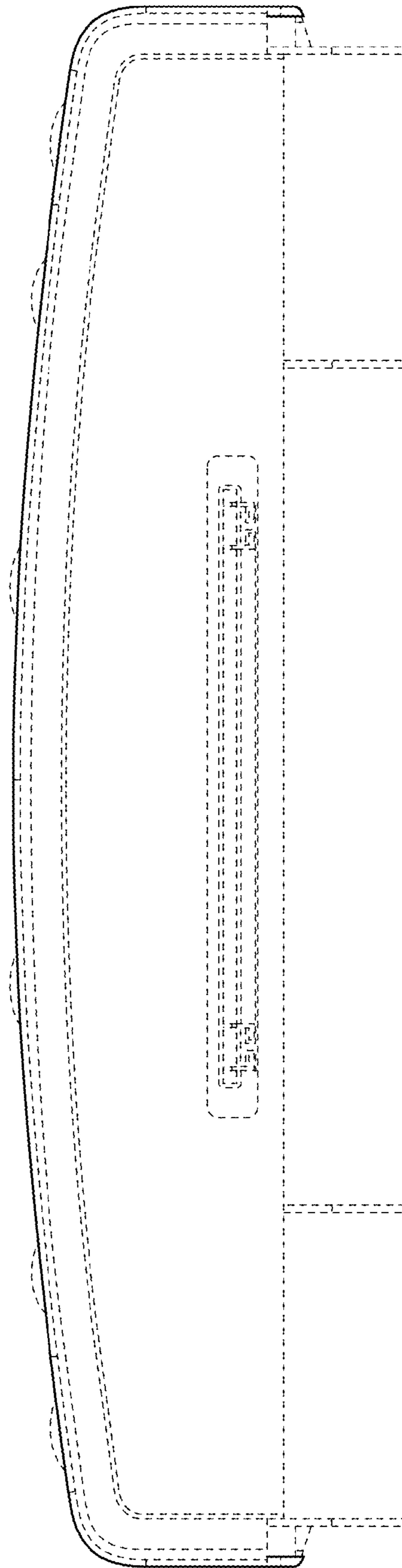


FIG. 7