



US00D946316S

(12) **United States Design Patent**
Choi

(10) **Patent No.:** **US D946,316 S**
(45) **Date of Patent:** **** Mar. 22, 2022**

(54) **VANITY TABLE**

(71) Applicant: **Impressions Vanity Company**, Tustin, CA (US)

(72) Inventor: **Dong Kevin Choi**, Tustin, CA (US)

(73) Assignee: **Impressions Vanity Company**, Tustin, CA (US)

(**) Term: **15 Years**

(21) Appl. No.: **29/704,728**

(22) Filed: **Sep. 6, 2019**

(51) **LOC (13) Cl.** **06-04**

(52) **U.S. Cl.**
USPC **D6/655.15**

(58) **Field of Classification Search**
USPC D6/329, 641, 651, 652, 655, 655.1, D6/655.15, 657, 661, 675
CPC A47B 21/007; A47B 37/00; A47B 67/005; A47F 3/005
See application file for complete search history.

(56) **References Cited**

U.S. PATENT DOCUMENTS

D101,100 S *	9/1936	Bate:	D6/655
D234,559 S *	3/1975	Waitzman	D6/651
D355,312 S *	2/1995	Wolff	D6/652
D549,492 S *	8/2007	Sheppard	D6/691.8
D567,536 S *	4/2008	Paterson	D6/657
D784,734 S *	4/2017	Weyts	D6/655.1
D821,119 S *	6/2018	Choi	D6/675
D861,391 S *	10/2019	Choi	D6/675
D887,380 S *	6/2020	Lee	D14/126
D907,409 S *	1/2021	Choi	D6/661
D907,943 S *	1/2021	Choi	D6/655.15
D913,018 S *	3/2021	Polidoros	D6/655

(Continued)

OTHER PUBLICATIONS

“Slay Station Elite Vanity Table.” Found online Nov. 3, 2021 at www.impressionsvanity.com. Product reviewed Apr. 28, 2020. Retrieved from URL: https://impressionsvanity.com/products/slaystation-elite-vanity-table?variant=30372774510685 (Year: 2020).*

(Continued)

Primary Examiner — Mary Ann Calabrese

Assistant Examiner — Katelin G Kloberg

(74) *Attorney, Agent, or Firm* — Ansari Katiraei LLP; Arman Katiraei; Sadiq Ansari

(57) **CLAIM**

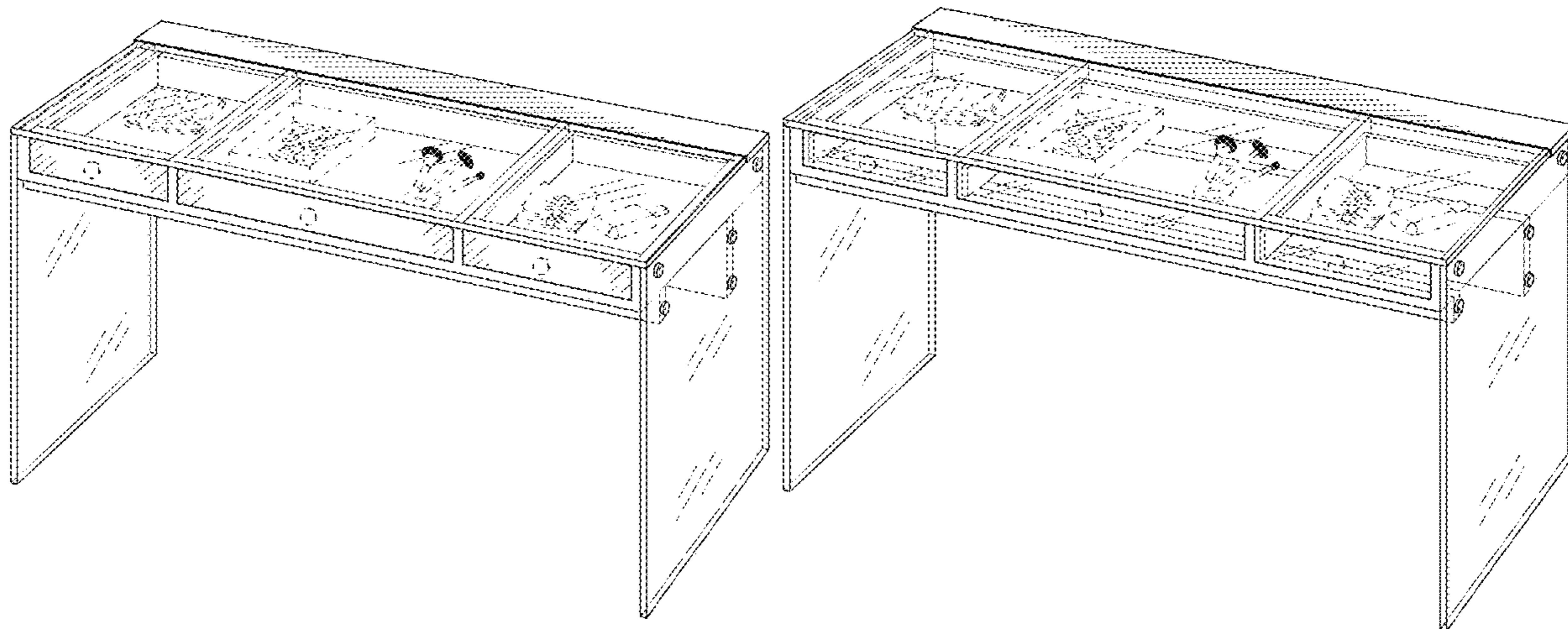
I claim the ornamental design for a vanity table, as shown and described.

DESCRIPTION

FIG. 1 is a top perspective view of a vanity table, showing a first embodiment of my new design;
FIG. 2 is a front perspective view thereof;
FIG. 3 is a top perspective view thereof with the drawers opened;
FIG. 4 is a side view thereof;
FIG. 5 is a rear perspective view thereof;
FIG. 6 is a top perspective view of a vanity table, showing a second embodiment of my new design;
FIG. 7 is a front perspective view thereof;
FIG. 8 is a top perspective view of a vanity table, showing a third embodiment of my new design;
FIG. 9 is a front perspective view thereof;
FIG. 10 is a top perspective view of a vanity table, showing a fourth embodiment of my new design; and,
FIG. 11 is a front perspective view thereof.

The broken lines depicting cosmetic items inside the drawers are showing environmental subject matter that forms no part of the claimed design. All other broken lines are depicting portions of the vanity table that form no part of the claimed design.

1 Claim, 11 Drawing Sheets



(56)

References Cited

U.S. PATENT DOCUMENTS

2020/0077789 A1* 3/2020 Polidoros A47B 1/04

OTHER PUBLICATIONS

“Clear Acrylic Waterfall Vanity Table.” Found online Nov. 3, 2021 at sell.lulusoso.com. Post dated Mar. 9, 2012. Retrieved from URL: <http://sell.lulusoso.com/selling-leads/590446> (Year: 2012).*

“Berthold Writing Desk.” Found online Nov. 3, 2021 at www.wayfair.com. Product reviewed May 13, 2017. Retrieved from URL: <https://www.wayfair.com/furniture/pdp/latitude-run-berthold-writing-desk-w000300499.html?piid=> (Year: 2017).*

“Modern Clear Lucite Console Table.” Found online Nov. 3, 2021 at bid.oahuauctions.com. Product auctioned Mar. 19, 2017. Retrieved from URL: https://bid.oahuauctions.com/Modern-Clear-Lucite-Console-Table-Approx-42X14X30_i26854103 (Year: 2017).*

* cited by examiner

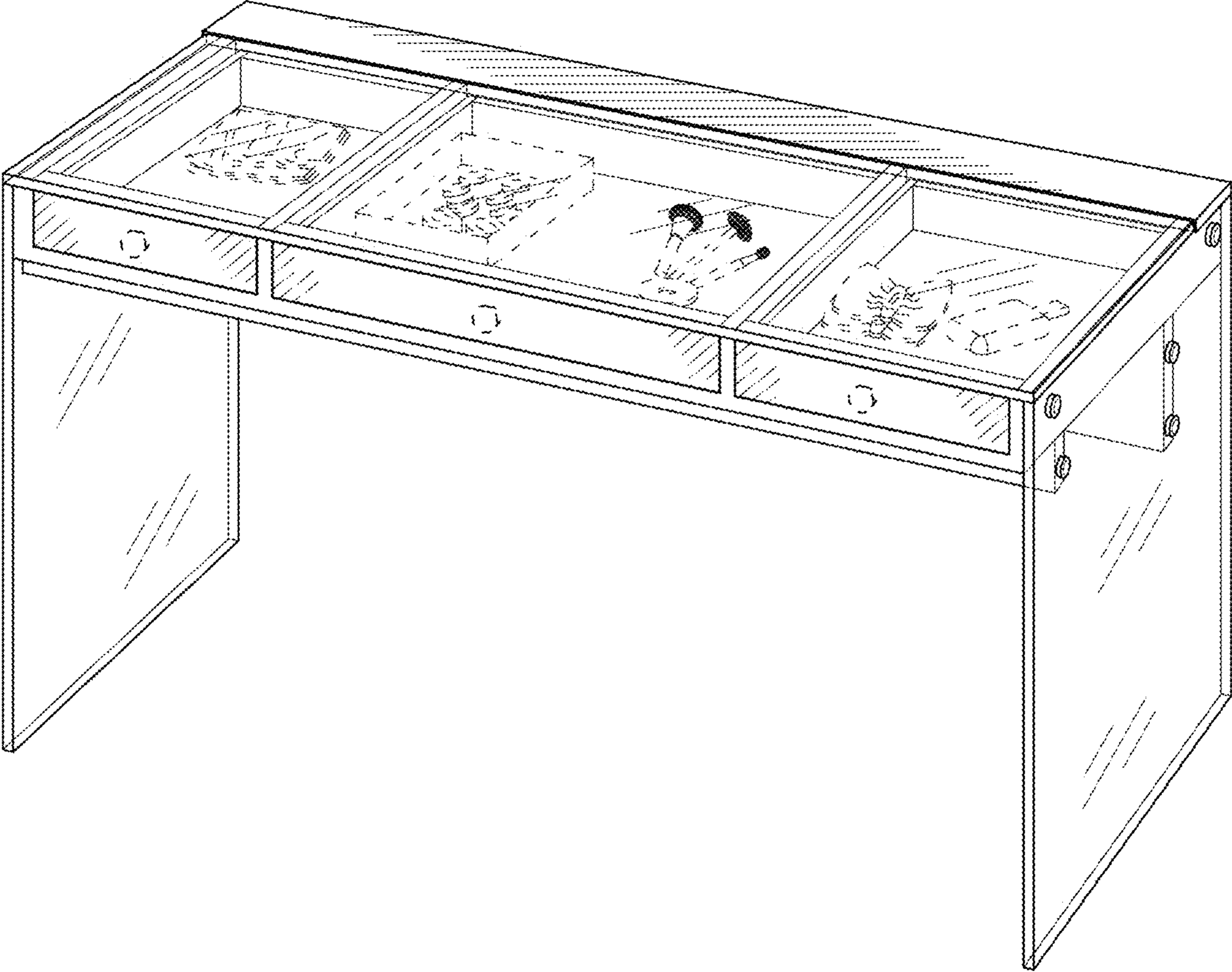


FIG. 1

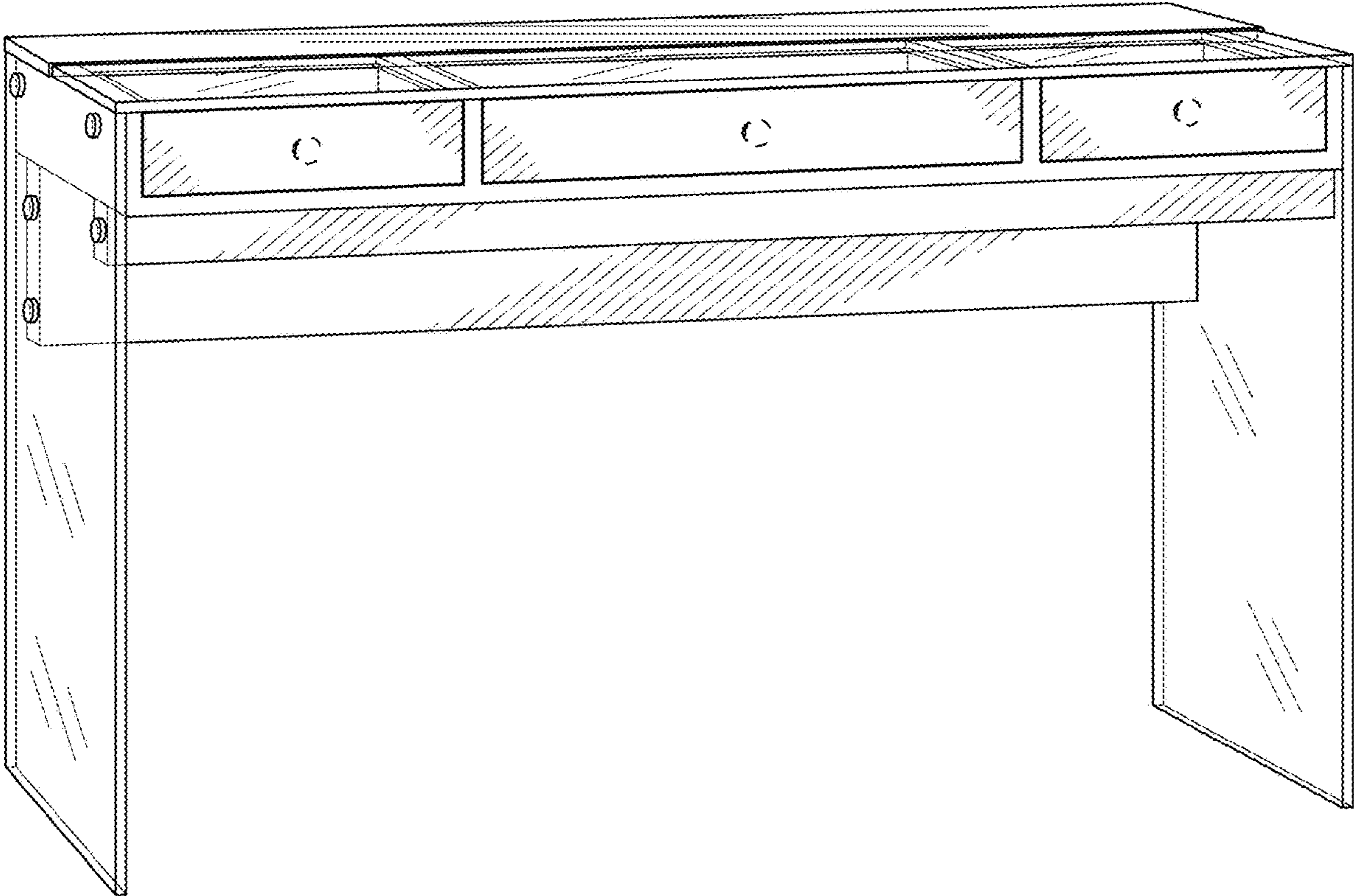


FIG. 2

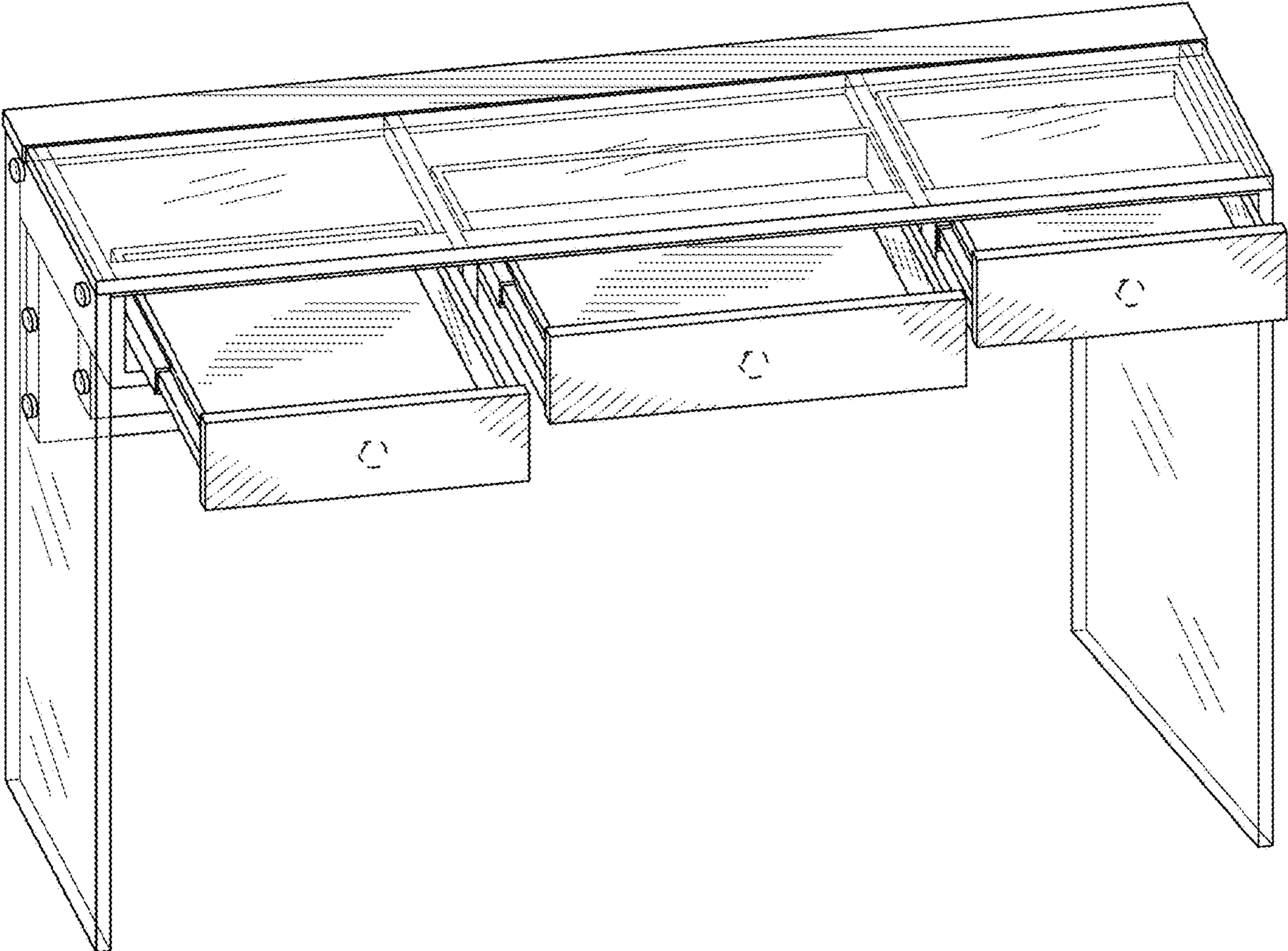


FIG. 3

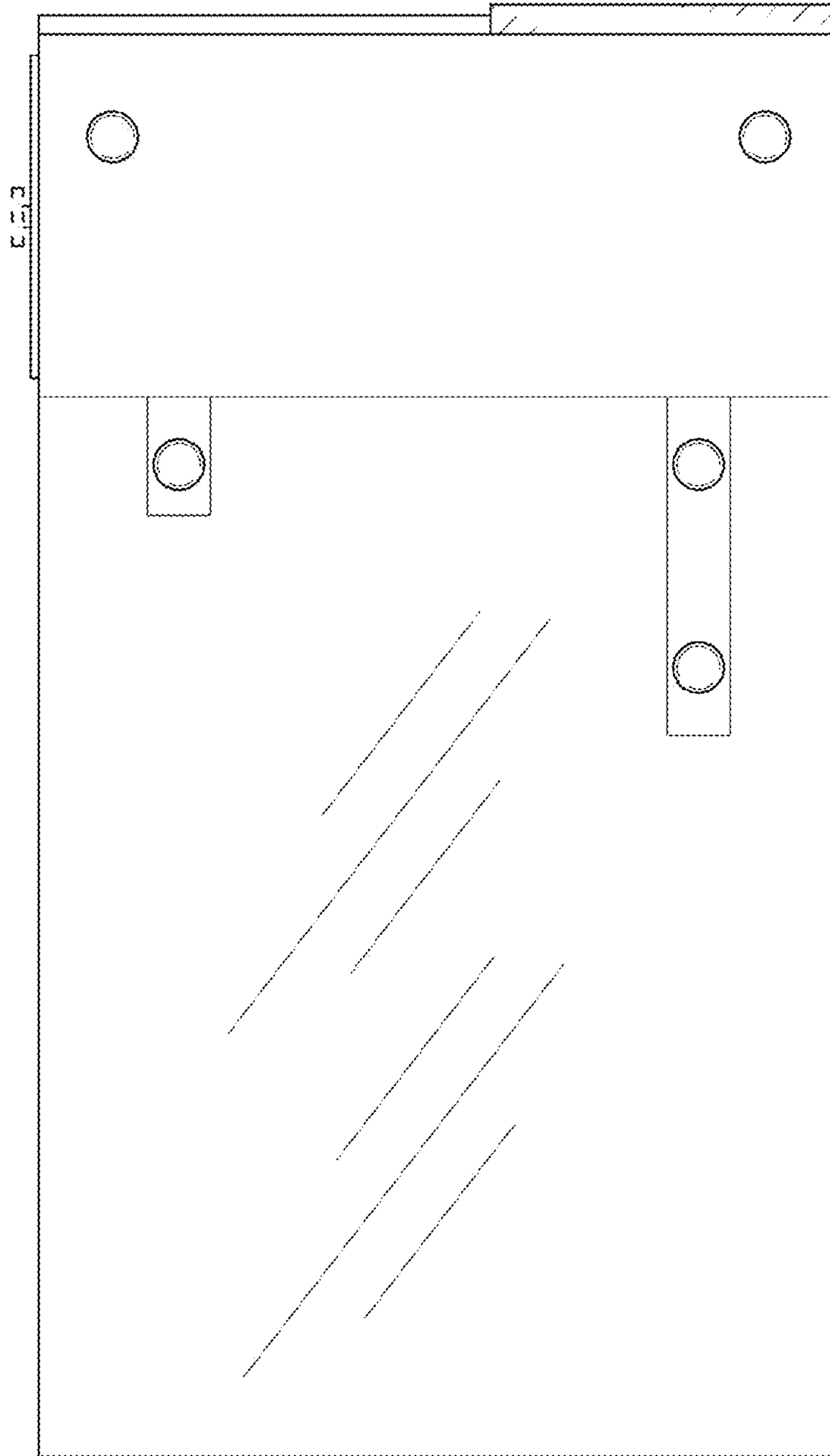


FIG. 4

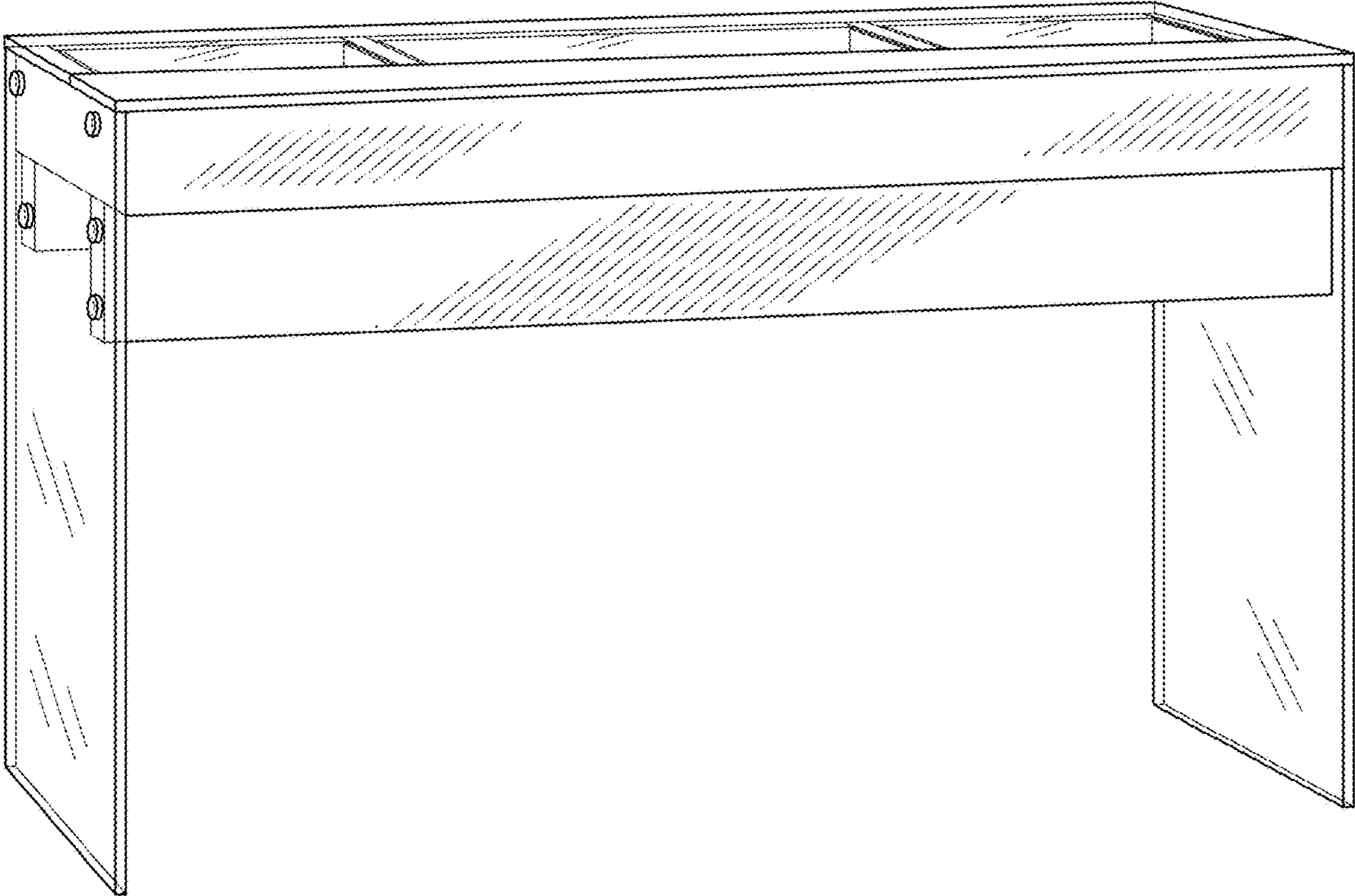


FIG. 5

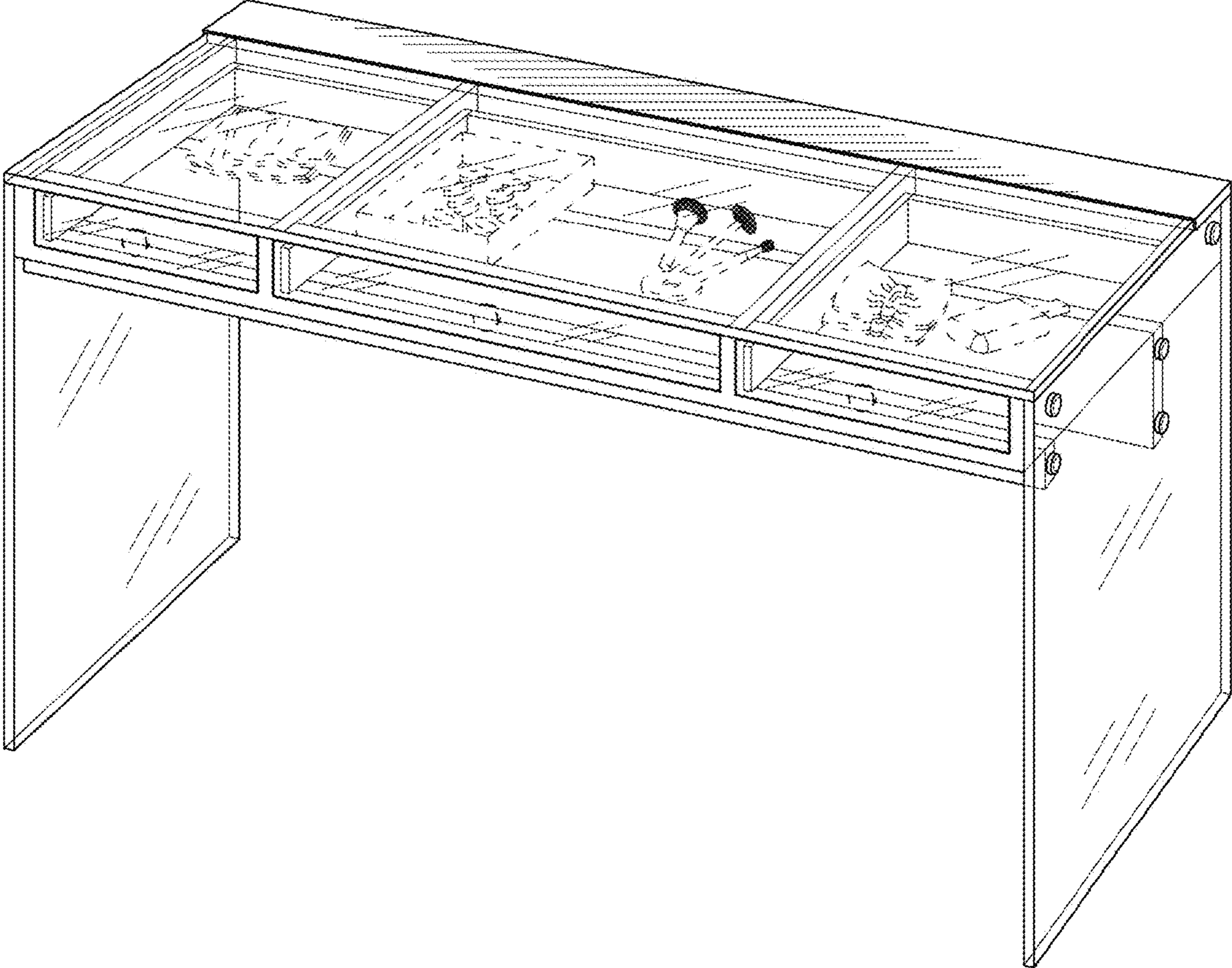


FIG. 6

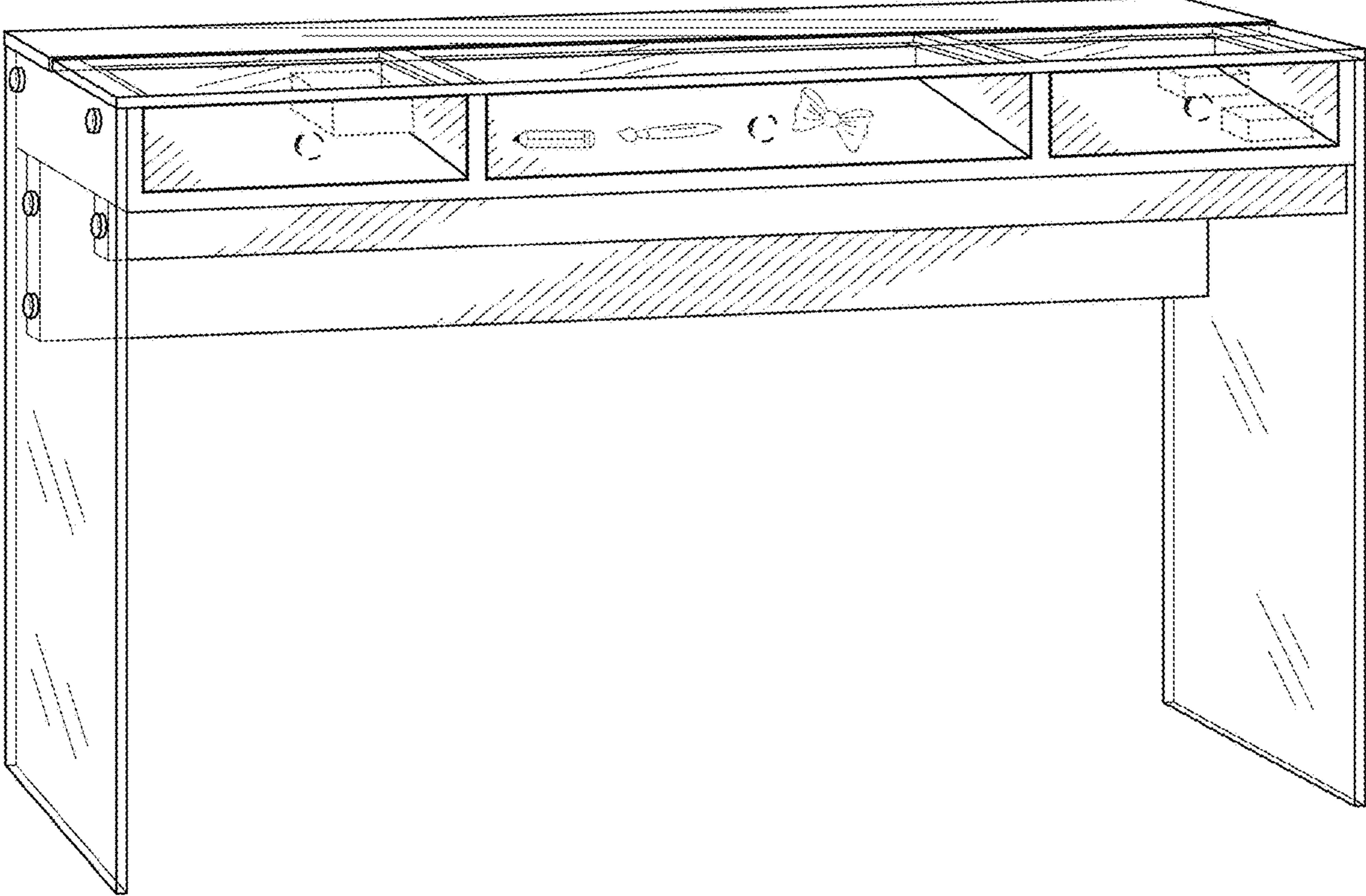


FIG. 7

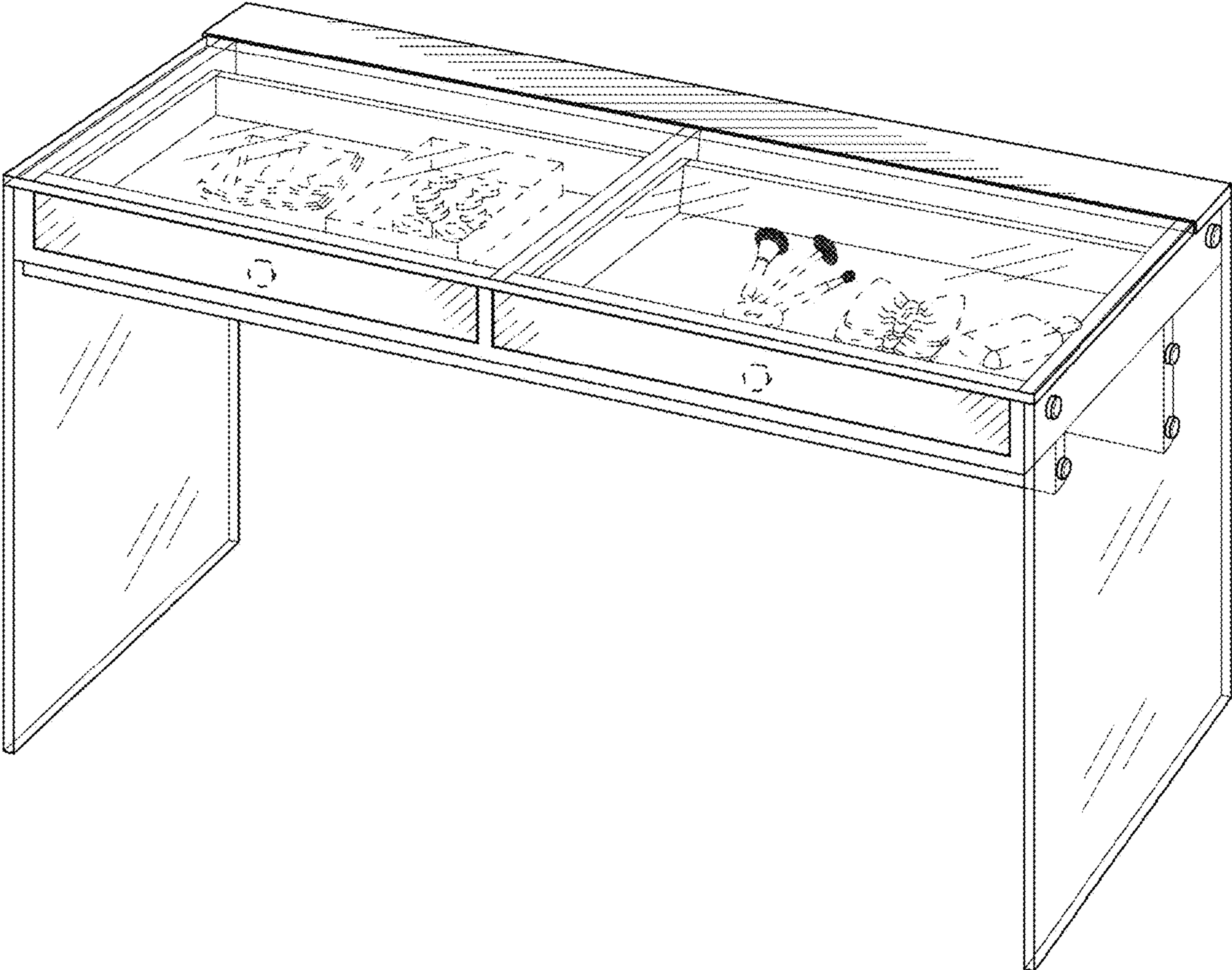


FIG. 8

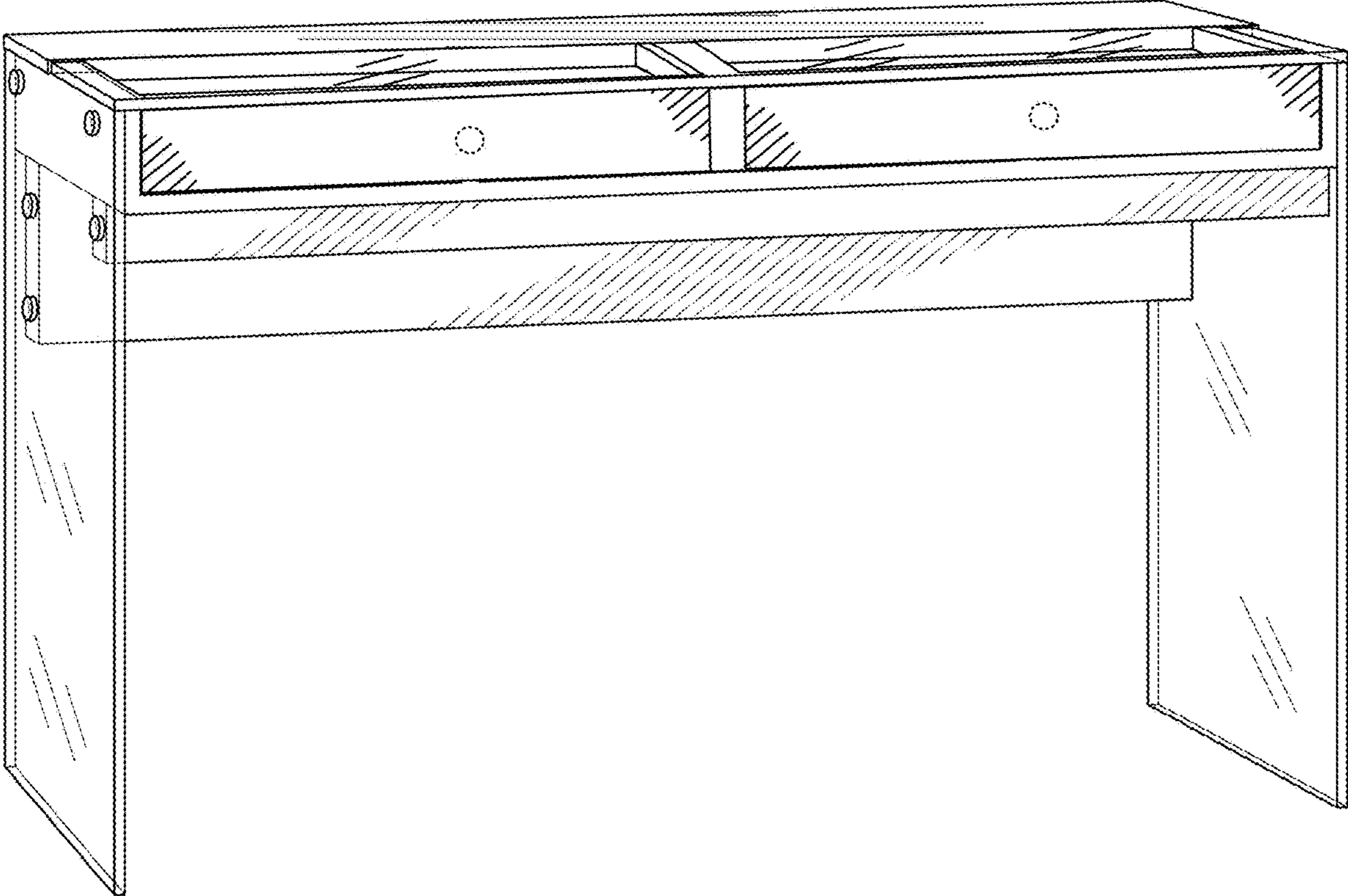


FIG. 9

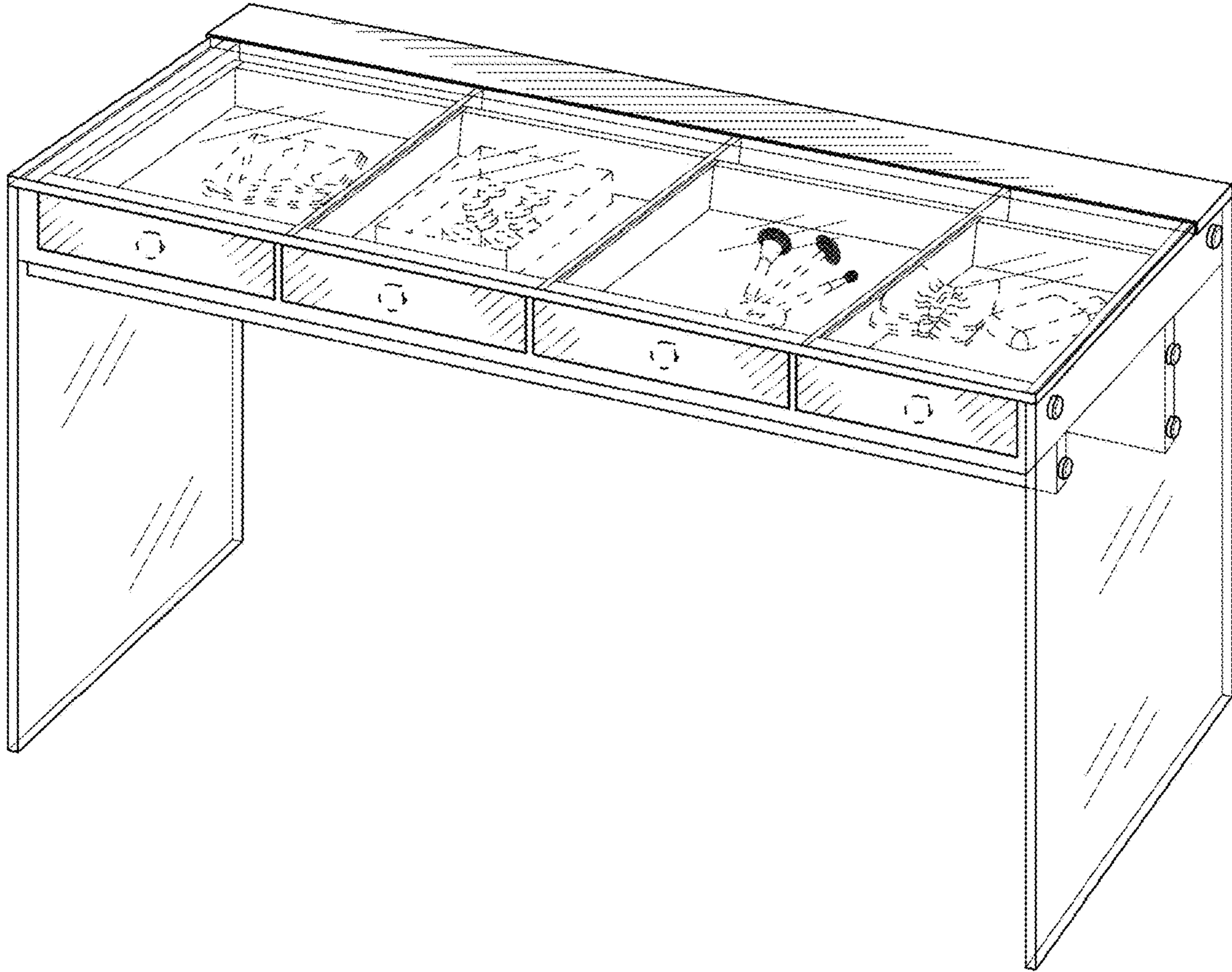


FIG. 10

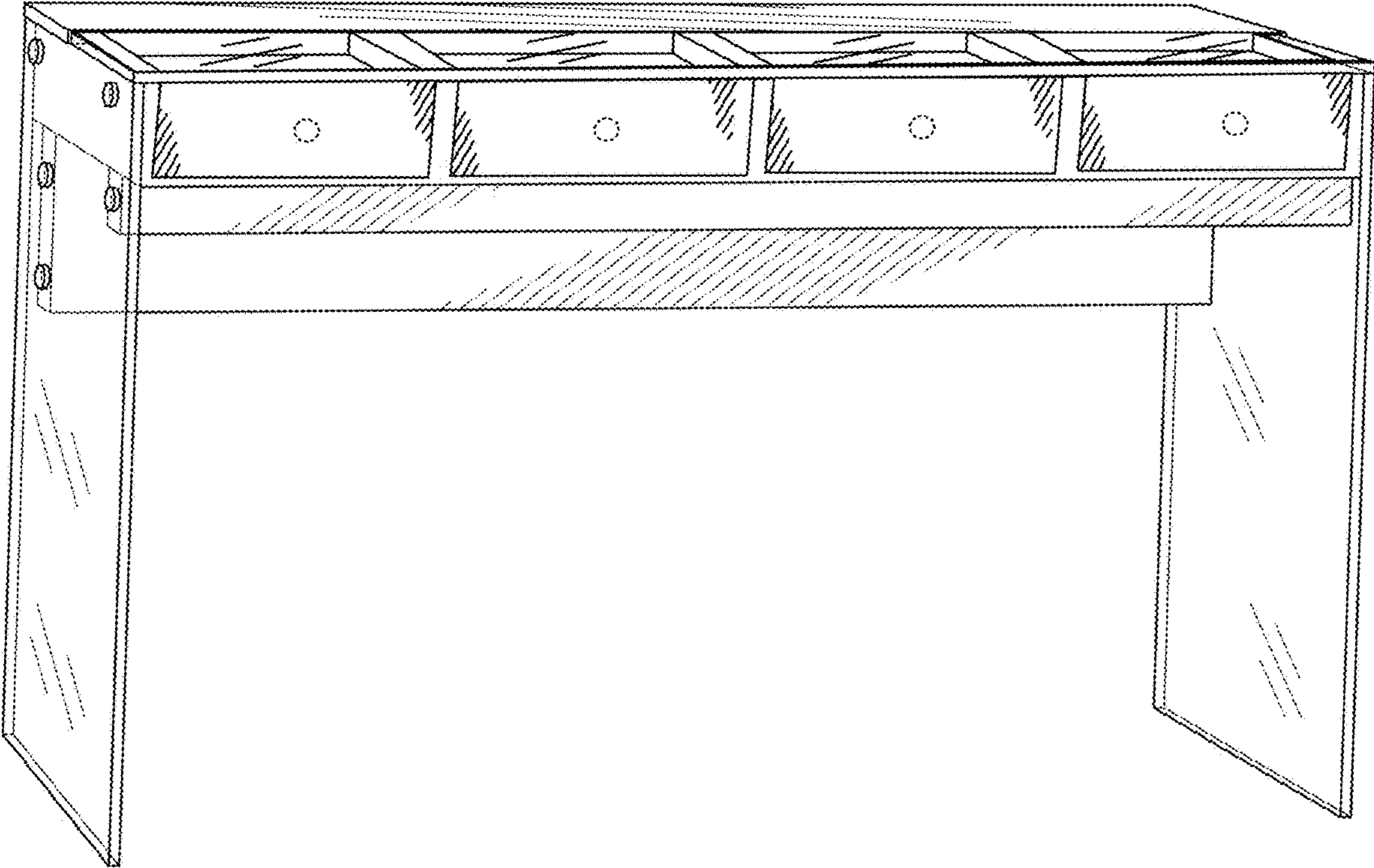


FIG. 11