

US00D946315S

(12) **United States Design Patent** (10) **Patent No.:** **US D946,315 S**  
**Hu** (45) **Date of Patent:** **\*\* Mar. 22, 2022**

(54) **ANCHOR DESK**

(71) Applicant: **Yajun Hu**, El Dorado Hills, CA (US)

(72) Inventor: **Yajun Hu**, El Dorado Hills, CA (US)

(73) Assignees: **Yajun Hu**, El Dorado Hills, CA (US);  
**EUREKA LLC.**, El Dorado Hills, CA (US)

(\*\*) Term: **15 Years**

(21) Appl. No.: **29/735,382**

(22) Filed: **May 20, 2020**

(51) **LOC (13) Cl.** ..... **06-03**

(52) **U.S. Cl.**  
USPC ..... **D6/654**

(58) **Field of Classification Search**  
USPC ..... D6/655.21, 654.1, 654, 654.21, 655,  
D6/654.18, 654.11, 654.14, 654.16,  
D6/654.17, 654.23, 655.11, 655.1, 655.14,  
D6/655.17, 655.18, 655.23, 656, 656.1,  
D6/656.12, 656.13, 656.16, 656.17,  
D6/656.19, 648.2, 648.3, 648.4, 652.2,  
D6/651.1, 651.2, 652.1, 653, 653.1,  
D6/653.11, 653.14, 653.16, 653.17,  
D6/653.18, 653.21, 653.23, 641, 642,  
D6/648, 691, 691.3, 691.9, 686, 691.5  
CPC .... A47B 2200/0062; A47B 2200/0054; A47B  
2021/066; A47B 2200/0029; A47B  
2200/0051; A47B 2200/52; A47B  
2200/0059; A47B 2200/006; A47B  
2200/0061; A47B 9/00; A47B 13/10;  
A47B 21/00; A47B 21/0314; A47B 3/00;  
A47B 3/002; A47B 7/00; A47B 9/06;  
A47B 9/16; A47B 2009/065; A47B  
13/00; A47B 13/02; A47B 13/04; A47B  
13/06; A47B 13/08; A47B 13/12; A47B  
17/00; A47B 21/02; A47B 2200/0001;  
A47B 2200/0011; A47B 2200/002; A47B  
2200/0035; A47B 2200/0037; A47B  
2200/004; A47B 2200/0066

See application file for complete search history.

(56) **References Cited**

U.S. PATENT DOCUMENTS

D267,690 S \* 1/1983 Verdesca ..... D6/654.17  
D353,279 S \* 12/1994 Funk ..... D6/655  
D355,547 S \* 2/1995 Liston ..... D6/648.2  
(Continued)

FOREIGN PATENT DOCUMENTS

WO WO-D212364-001 \* 2/2021  
WO WO-D212364-002 \* 2/2021

OTHER PUBLICATIONS

Eleazar Music Recoding Studio Desk by Acme Furniture, first available: May 13, 2020. Amazon.com [online], [site visited Nov. 15, 2021], Internet URL: [https://www.amazon.com/Acme-Furniture-Eleazar-Recording-Studio/dp/B088K34YM4/ref=sr\\_1\\_6](https://www.amazon.com/Acme-Furniture-Eleazar-Recording-Studio/dp/B088K34YM4/ref=sr_1_6) (Year: 2020).\*

(Continued)

*Primary Examiner* — Steven J Czyz

*Assistant Examiner* — Hillary Catherine Shepard

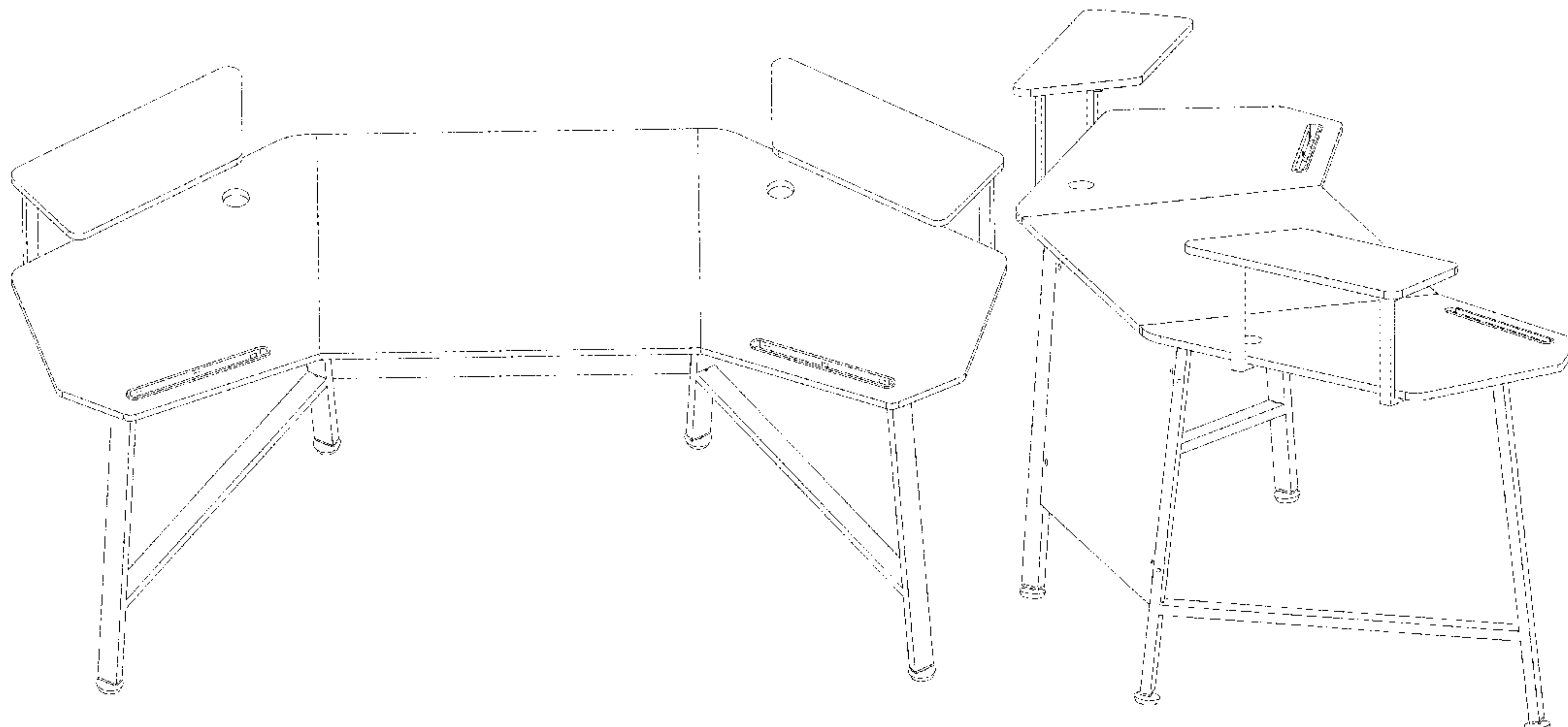
(57) **CLAIM**

The ornamental design for an anchor desk, as shown and described.

**DESCRIPTION**

FIG. 1 is a front perspective view of an anchor desk, showing my new design;  
FIG. 2 is a rear-left side perspective view thereof;  
FIG. 3 is a front view thereof;  
FIG. 4 is a bottom view thereof;  
FIG. 5 is a top view thereof;  
FIG. 6 is a rear side view thereof;  
FIG. 7 is a left side view thereof; and,  
FIG. 8 is a right side view thereof.

**1 Claim, 8 Drawing Sheets**



(56)

References Cited

U.S. PATENT DOCUMENTS

5,704,299 A \* 1/1998 Corpuz, Jr ..... A47B 21/0314  
108/147  
D391,416 S \* 3/1998 Canton Gongora ..... D6/650  
5,857,415 A \* 1/1999 Richard ..... A47B 21/0314  
108/50.01  
D405,981 S \* 2/1999 Alexander ..... D6/650  
D422,429 S \* 4/2000 Belka ..... D6/648.2  
6,332,407 B1 \* 12/2001 Vardaro ..... A47B 21/00  
100/92  
D459,110 S \* 6/2002 Chang ..... D6/653.11  
D462,194 S \* 9/2002 Wang ..... D6/653.1  
D464,213 S \* 10/2002 Chang ..... D6/653.11  
D471,030 S \* 3/2003 Chang ..... D6/648.2  
D471,733 S \* 3/2003 Cizmar ..... D6/648.2  
D474,355 S \* 5/2003 Sexton ..... D6/648.1  
D478,225 S \* 8/2003 Wang ..... D6/648.2  
D499,273 S 12/2004 Chang  
D499,576 S 12/2004 Long  
D526,812 S 8/2006 Chen  
D547,970 S 8/2007 Chou  
D549,009 S 8/2007 Lin  
D584,074 S \* 1/2009 Gadzinski ..... D6/642  
D689,308 S \* 9/2013 Burt ..... D6/686  
D730,668 S \* 6/2015 Fletcher ..... D6/707.22  
D733,476 S \* 7/2015 Papic ..... D6/708  
D739,165 S \* 9/2015 Momeny ..... D6/650  
D743,718 S \* 11/2015 Tempas ..... D6/655.21  
9,591,919 B2 3/2017 Ergun et al.

9,635,932 B2 5/2017 Kelley et al.  
9,717,327 B2 \* 8/2017 Papic ..... A47B 9/20  
D832,623 S \* 11/2018 Flaherty ..... D6/655  
D852,548 S \* 7/2019 Hu ..... D6/655  
D860,689 S \* 9/2019 Davis ..... D6/672  
D883,277 S \* 5/2020 Govil ..... D14/306  
D887,181 S \* 6/2020 Hu ..... D6/655.2  
2007/0007404 A1 \* 1/2007 Stravitz ..... F16M 13/00  
248/158  
2008/0028996 A1 \* 2/2008 Ooba ..... A47B 21/00  
108/10  
2017/0273454 A1 \* 9/2017 Wiener ..... A47B 21/02  
2017/0325583 A1 \* 11/2017 Abraham ..... A47B 13/088  
2018/0199705 A1 \* 7/2018 Atkins ..... G10G 5/00  
2019/0110588 A1 \* 4/2019 Wong ..... A47B 21/02  
2019/0150610 A1 \* 5/2019 Johnsson ..... A47B 21/02  
2020/0029685 A1 \* 1/2020 Du ..... A47B 21/02  
2020/0221867 A1 \* 7/2020 Hoffman ..... A47B 13/081

OTHER PUBLICATIONS

AED-E70-B by Eureka Ergonomic, first available: Unknown. Eurekaergonomic.com [online], [site visited Nov. 15, 2021], Internet URL: [https://www.amazon.com/Acme-Furniture-Eleazar-Recording-Studio/dp/B088K34YM4/ref=sr\\_1\\_6](https://www.amazon.com/Acme-Furniture-Eleazar-Recording-Studio/dp/B088K34YM4/ref=sr_1_6) (Year: 2021).\*  
Gaming Desk by DlandHome, first available: May 8, 2018. Amazon.com [online], [site visited Nov. 15, 2021], Internet URL: [https://www.amazon.com/DlandHome-Computer-Workstation-Headphone-YX001-WB/dp/B07CXVNRW6/ref=sr\\_1\\_7?th=1](https://www.amazon.com/DlandHome-Computer-Workstation-Headphone-YX001-WB/dp/B07CXVNRW6/ref=sr_1_7?th=1) (Year: 2018).\*

\* cited by examiner

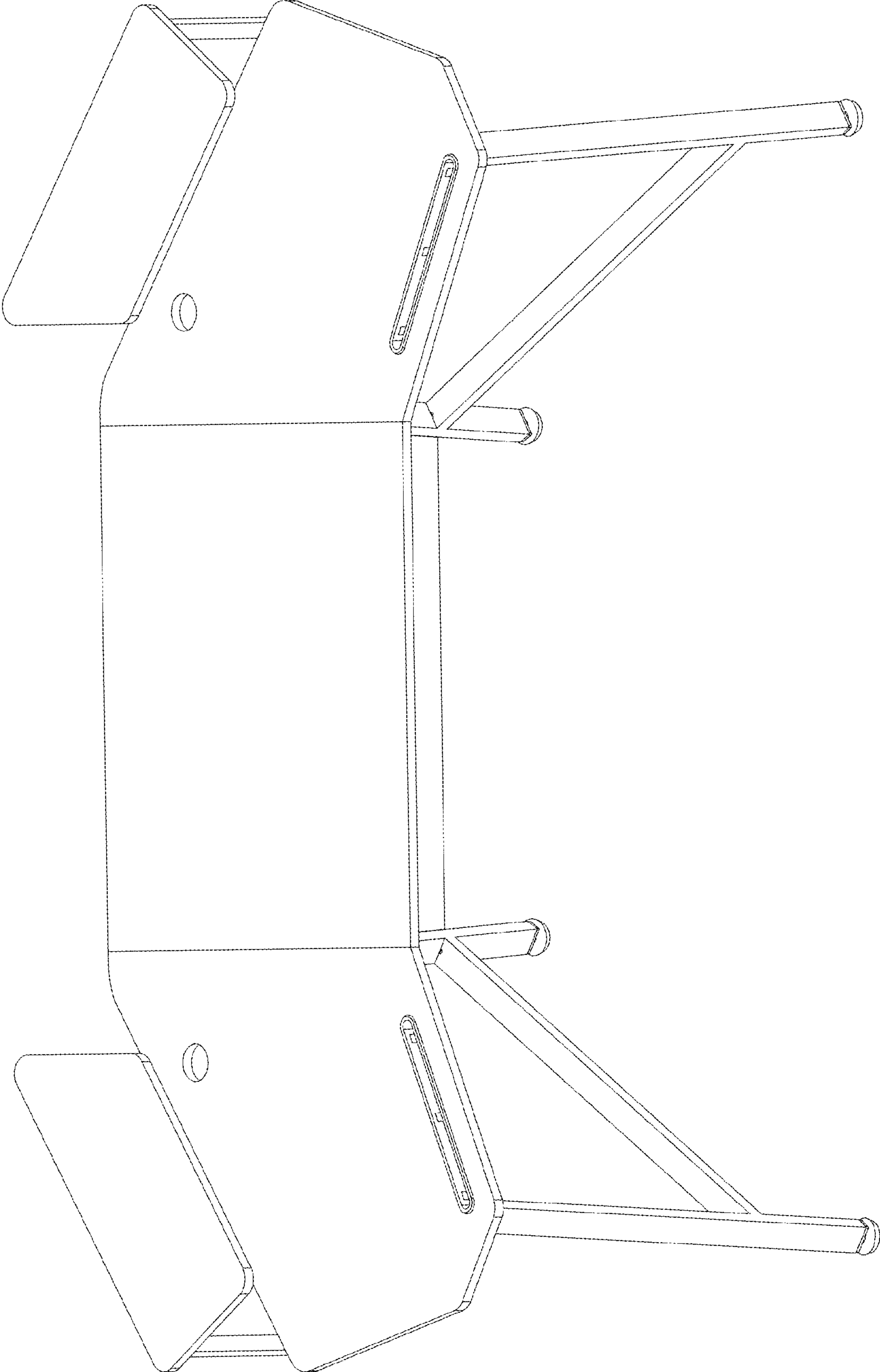


FIG.1

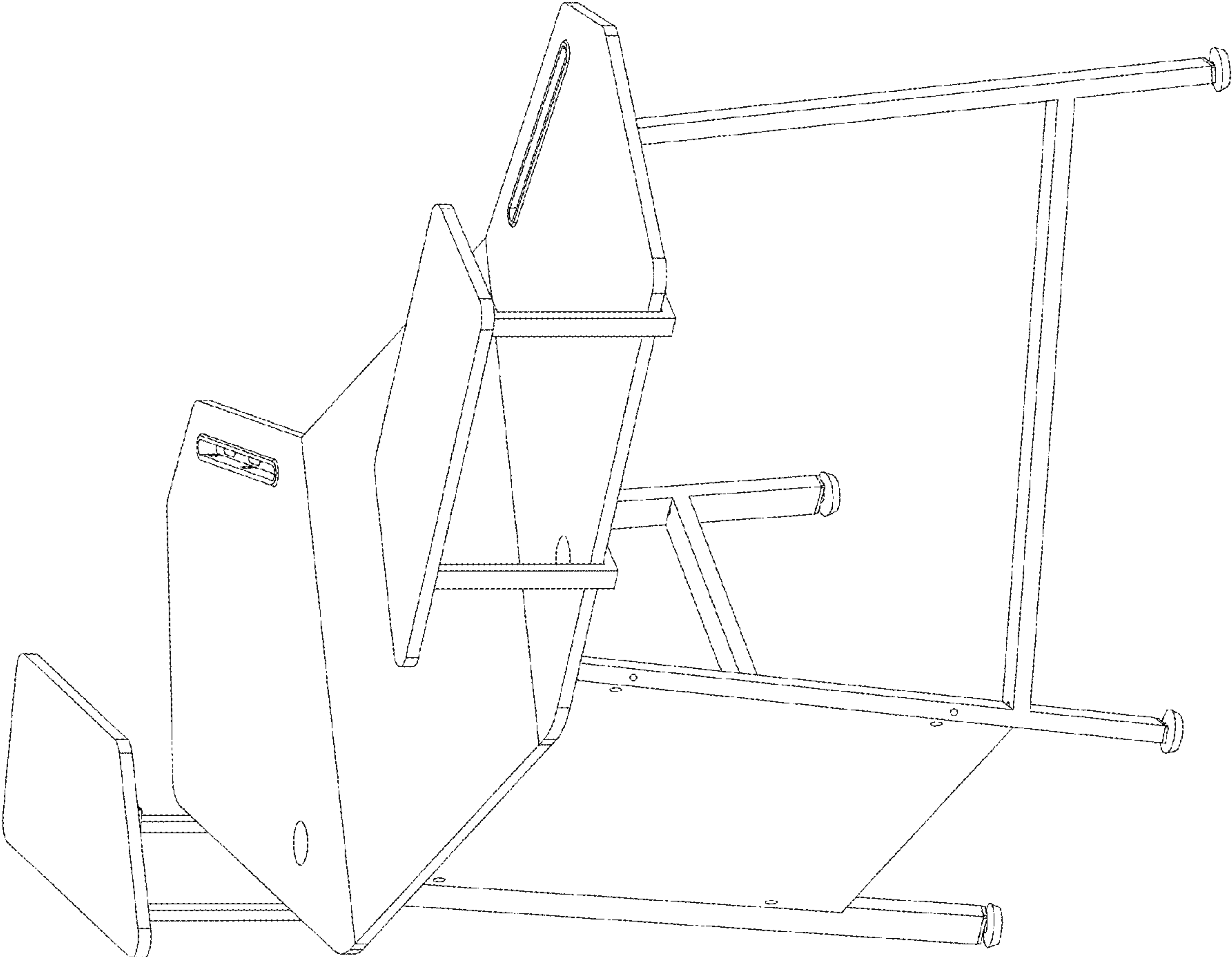


FIG. 2



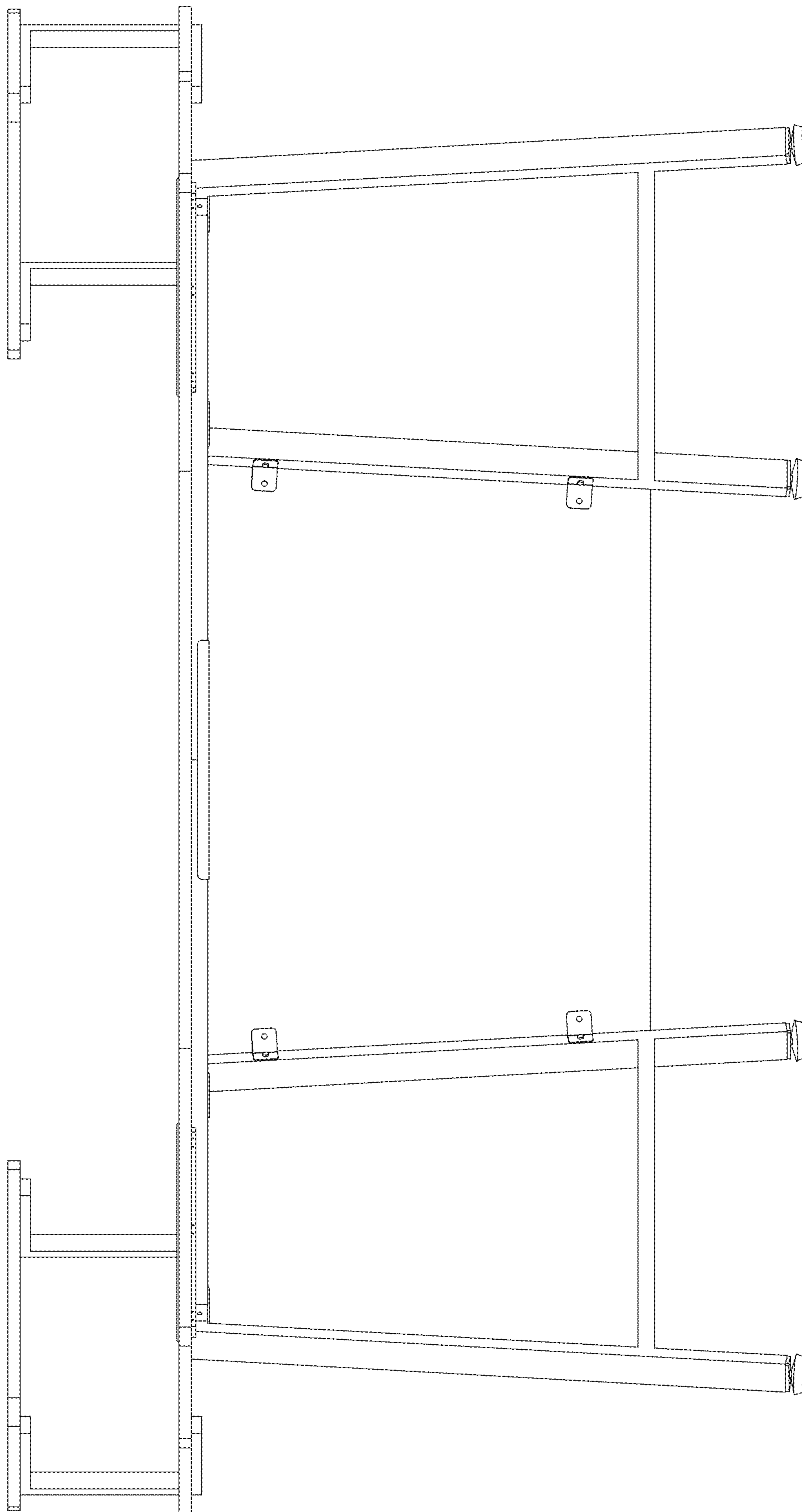


FIG.3

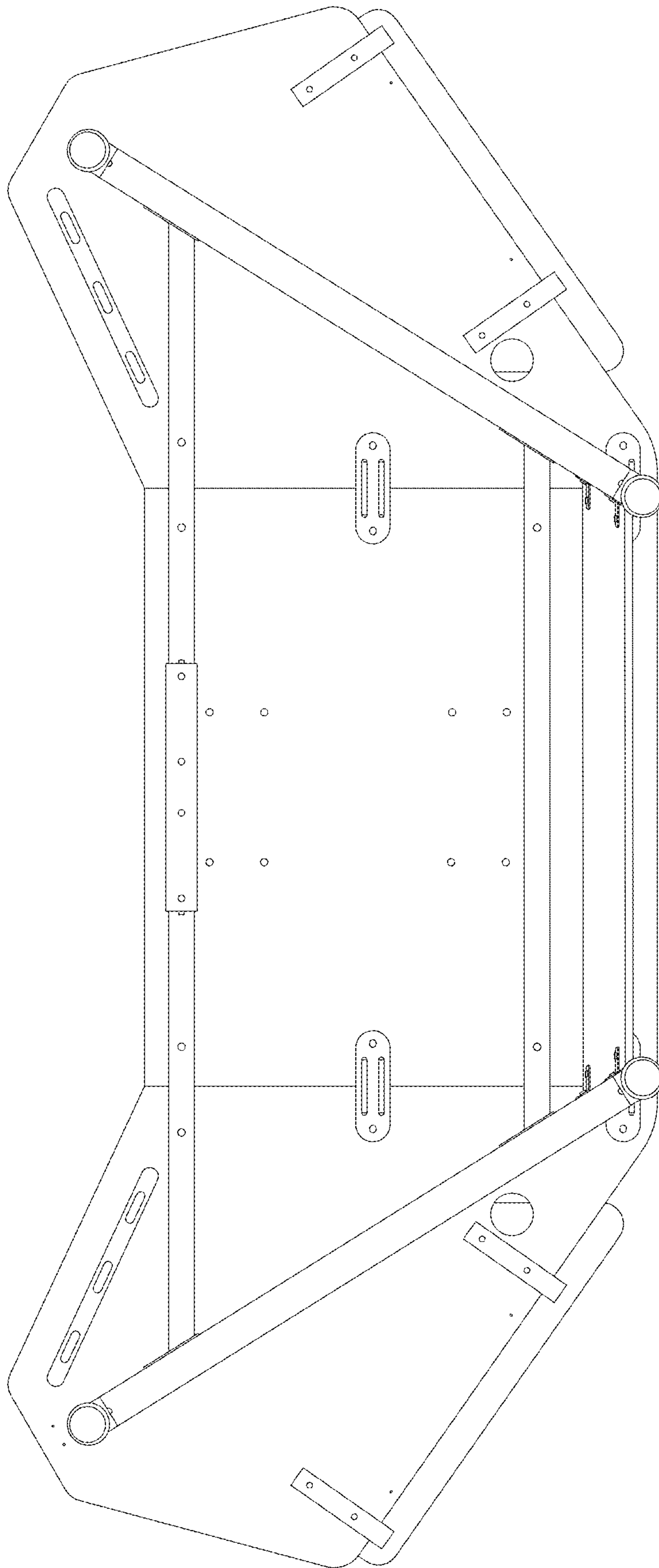


FIG.4

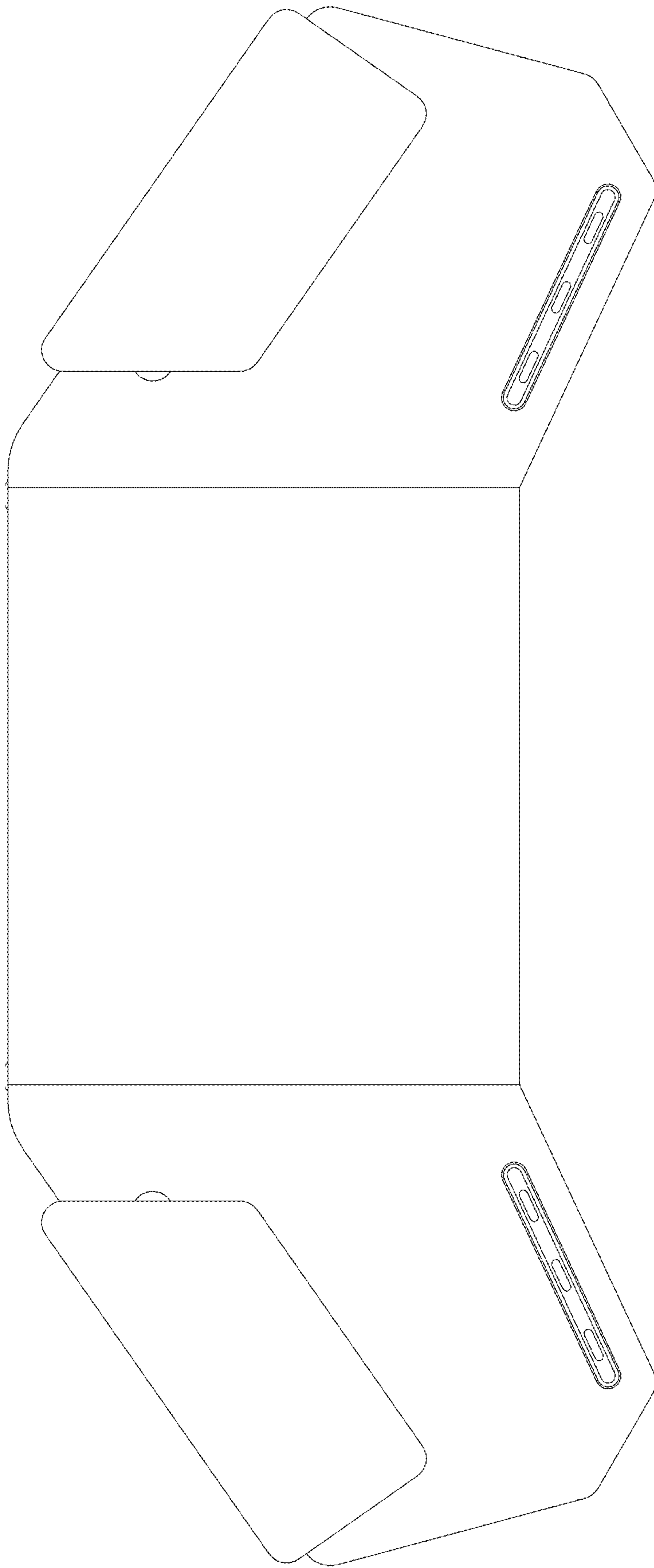


FIG.5

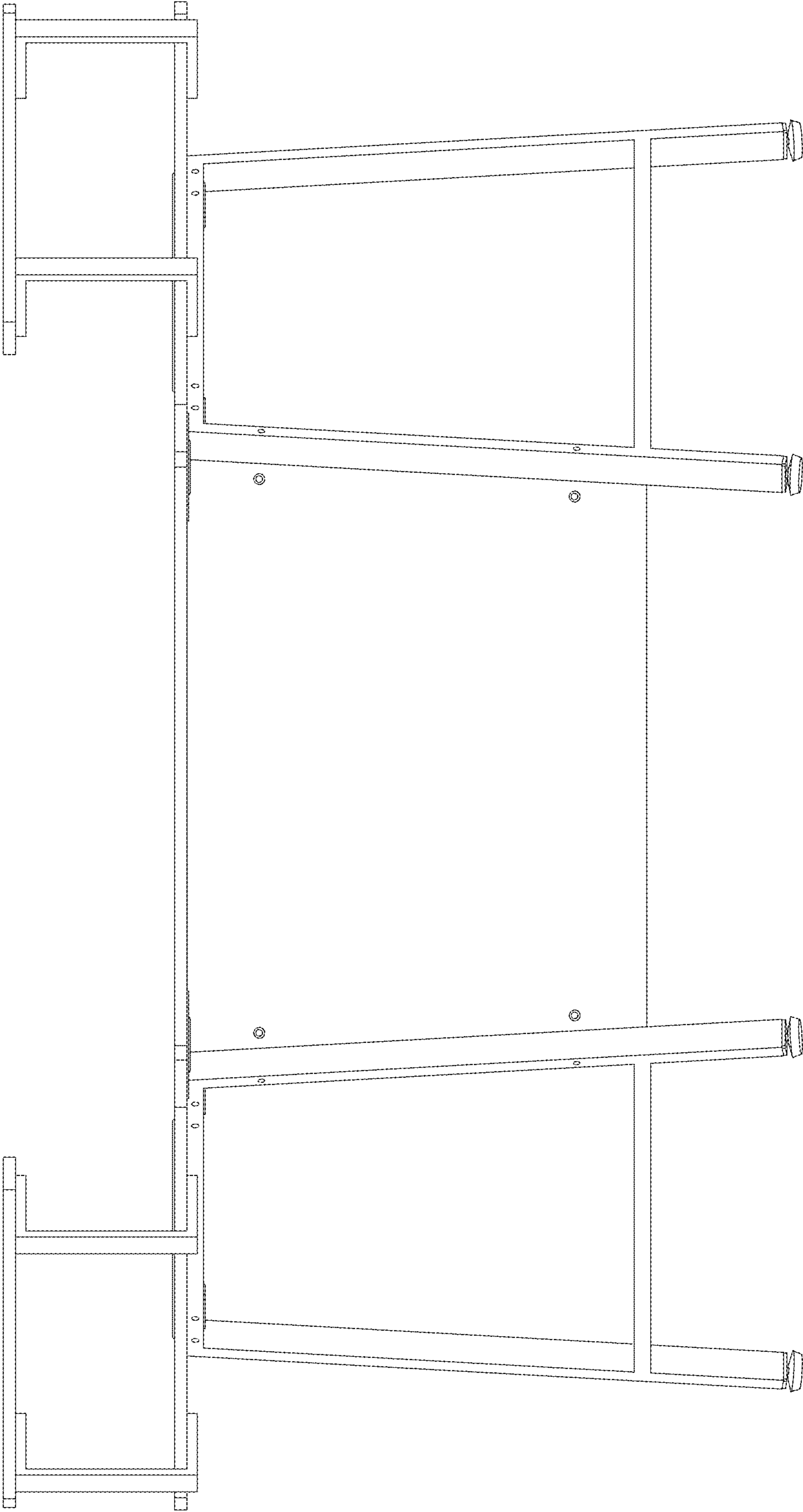


FIG.6



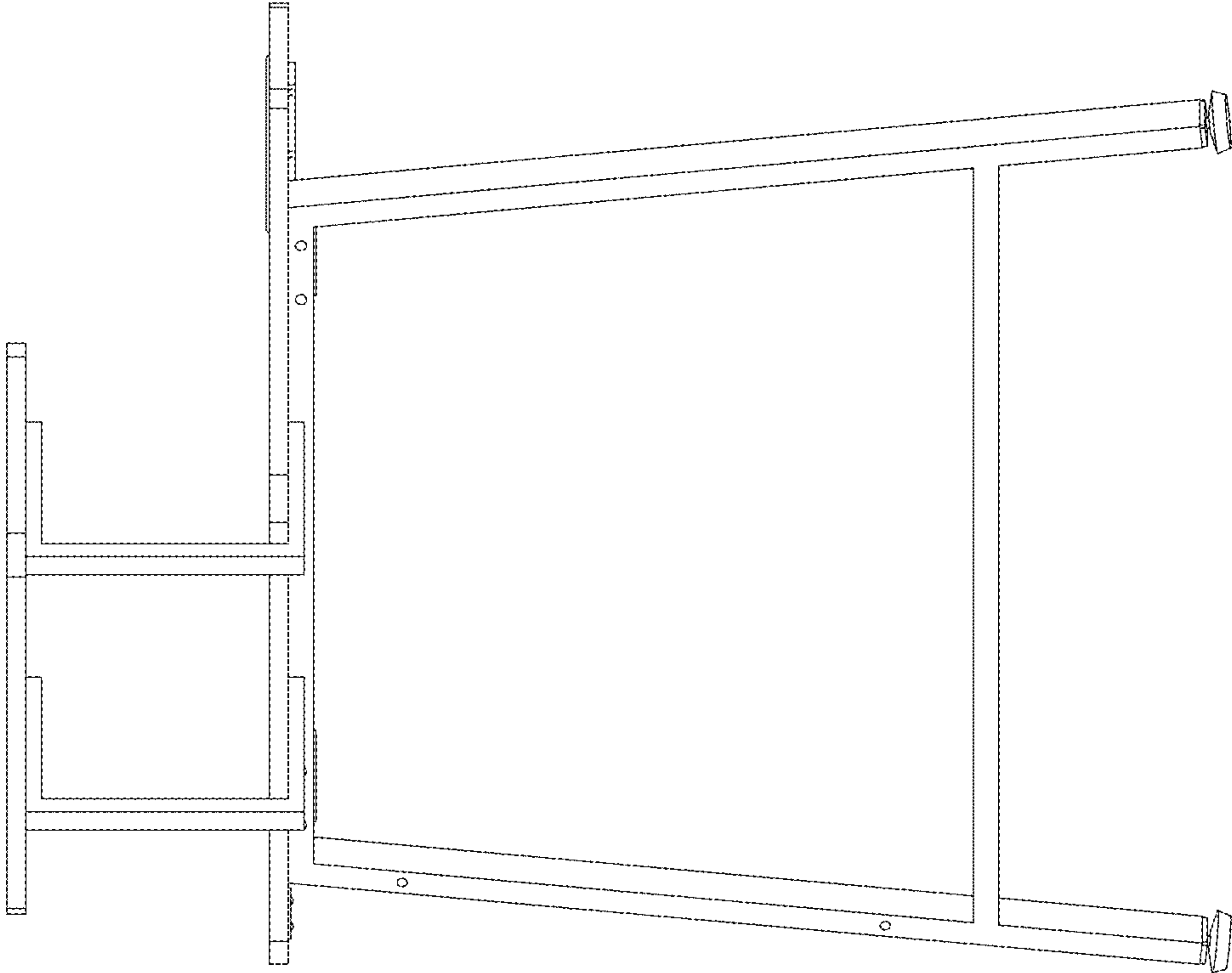


FIG.7

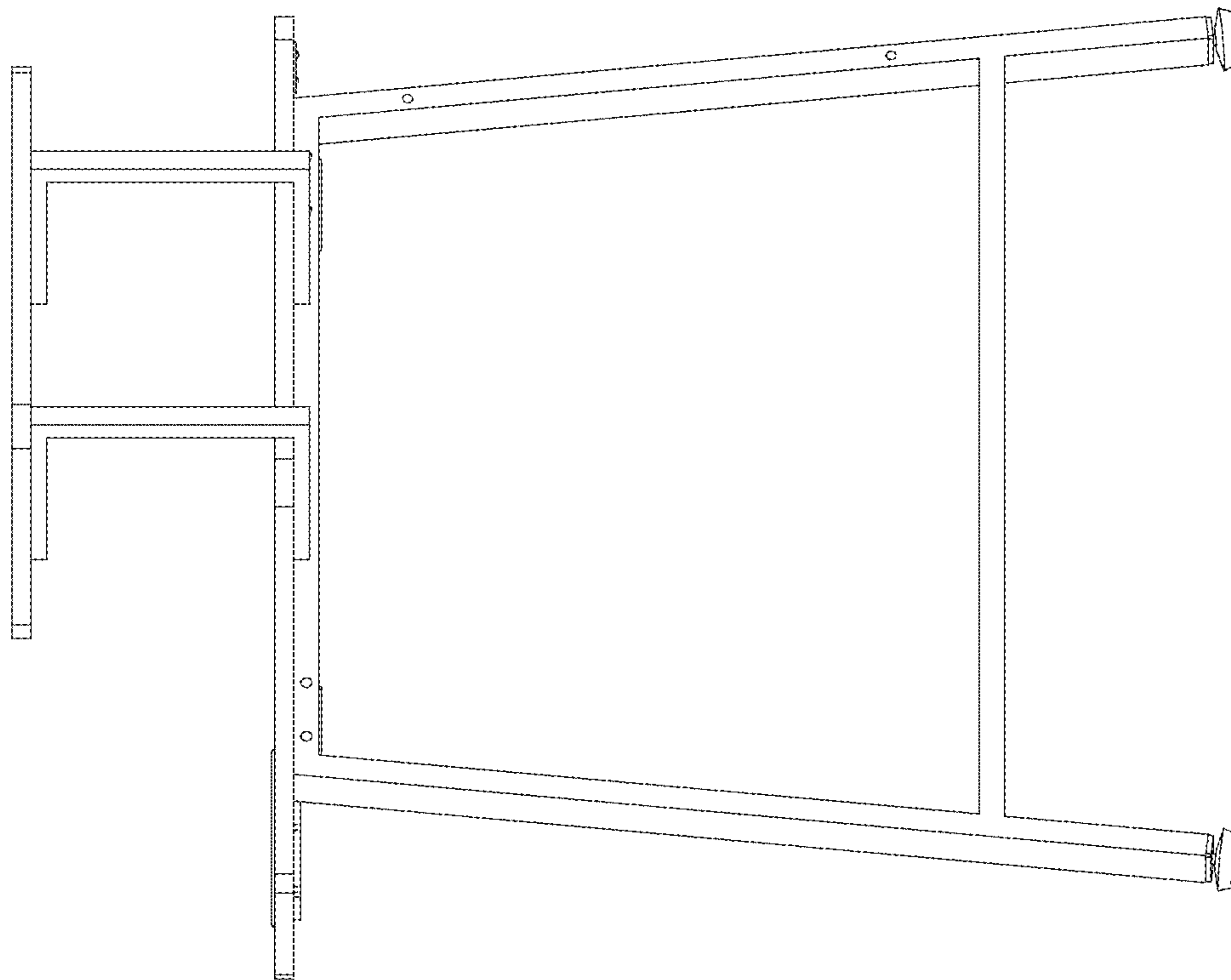


FIG. 8