

US00D946314S

(12) **United States Design Patent** (10) **Patent No.:** **US D946,314 S**
Xiao (45) **Date of Patent:** **** Mar. 22, 2022**

(54) **DOG CAR SEAT COVER**

FOREIGN PATENT DOCUMENTS

(71) Applicant: **Ruiwei Xiao, Ji'an (CN)**

EM 008409189-0001 * 1/2021

(72) Inventor: **Ruiwei Xiao, Ji'an (CN)**

OTHER PUBLICATIONS

(**) Term: **15 Years**

URPOWER Upgraded Dog Seat Covers, announced 2018 [online], [site visited Jul. 8, 2021]. Available from internet, URL: <https://www.amazon.com/URPOWER-Waterproof-Non-slip-Washable-Hammock/dp/B07CMZ11TX/> (Year: 2018).*

(21) Appl. No.: **29/773,836**

(Continued)

(22) Filed: **Mar. 11, 2021**

(51) **LOC (13) Cl.** **06-13**

(52) **U.S. Cl.**

USPC **D6/611**

(58) **Field of Classification Search**

USPC D6/596, 601, 608, 610-613, 616, 617; D12/203, 416; D30/199

CPC B60N 2/60; B60N 2/6009; B60N 2/6018; B60N 2/6027; B60N 2/6036; B60N 2/6054; B60N 2/6063; B60N 2/609; A47C 7/62; A01K 1/0272

See application file for complete search history.

Primary Examiner — Cynthia Ramirez

Assistant Examiner — Xavier Marti-Santos

(57) **CLAIM**

The ornamental design for a dog car seat cover, as shown and described.

DESCRIPTION

FIG. 1 is a front view of a dog car seat cover showing my new design;

FIG. 2 is a rear view thereof;

FIG. 3 is a left side view thereof;

FIG. 4 is a right side view thereof;

FIG. 5 is a top plan view thereof;

FIG. 6 is a bottom plan view thereof;

FIG. 7 is the front view showing an opening state of the button;

FIG. 8 is a front view of a dog car seat cover in a disassembled manner;

FIG. 9 is an enlarged partial view of FIG. 1;

FIG. 10 is an enlarged partial view of FIG. 2; and,

FIG. 11 is an enlarged partial view of FIG. 7.

The dot-dash broken lines identify enlarged areas and form no part of the claimed design. The evenly spaced larger broken lines, the evenly spaced smaller broken lines, and the thicker broken lines in the figures are for the purpose of illustrating portions of the dog car seat cover that form no part of the claimed design.

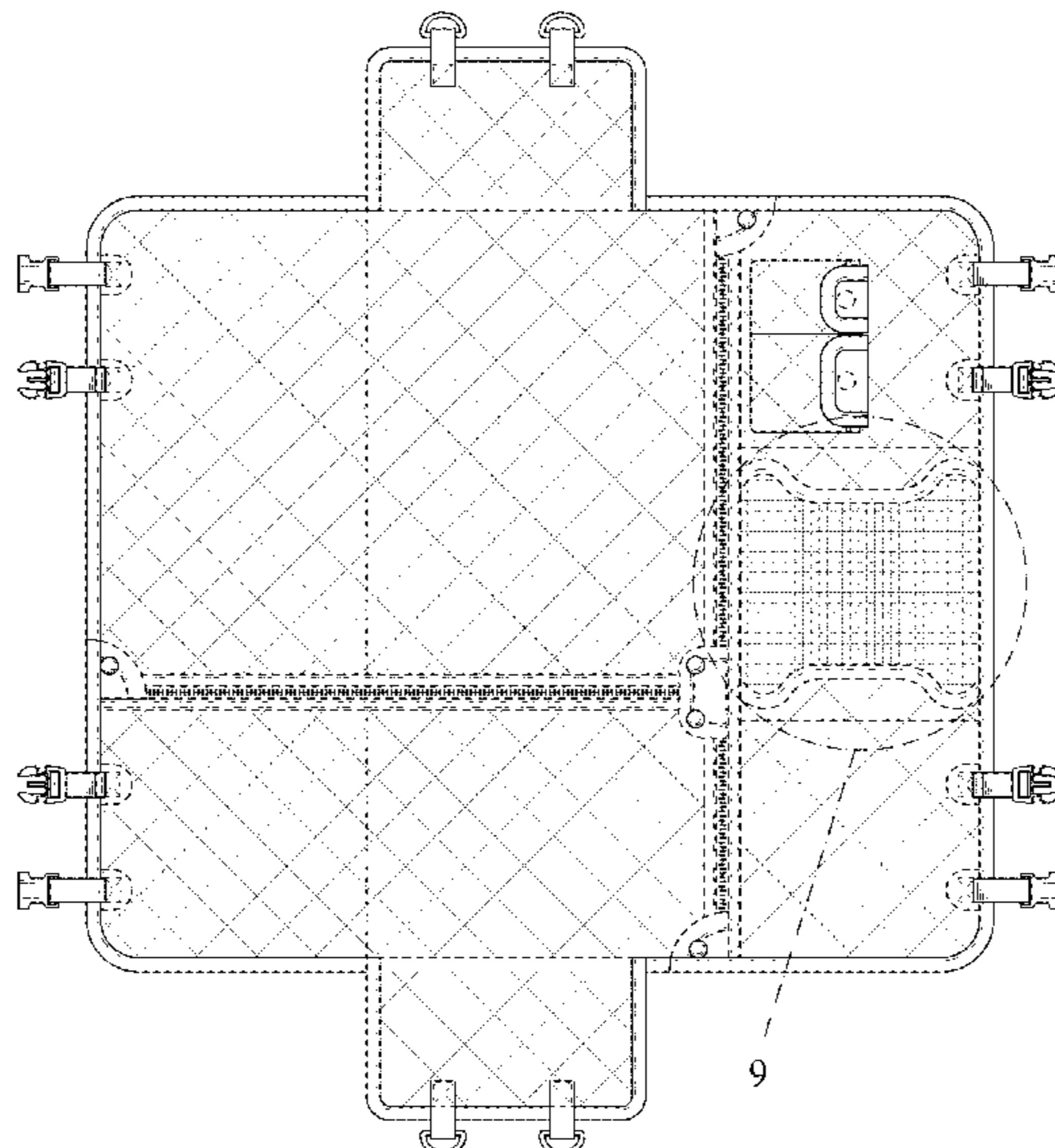
(56) **References Cited**

U.S. PATENT DOCUMENTS

9,845,033	B1 *	12/2017	Umlauf	B60N 2/36
D851,963	S	6/2019	Fischer-Livneh et al.		
D868,503	S *	12/2019	Fu	D6/611
D883,716	S *	5/2020	Hu	D6/611
D902,629	S *	11/2020	Umlauf	D6/611
D904,798	S	12/2020	Cameron		
D923,974	S *	7/2021	Xu	D6/611
D932,215	S *	10/2021	Zheng	D6/611
2009/0028466	A1 *	1/2009	Bailey	A45F 4/12 383/4
2009/0091165	A1 *	4/2009	Thompson	B60N 2/6009 297/228.12
2015/0264887	A1 *	9/2015	Parness	B60N 2/6027 297/180.14
2016/0318430	A1 *	11/2016	Umlauf	B60N 2/60
2018/0251054	A1 *	9/2018	Umlauf	B60N 2/6009

(Continued)

1 Claim, 10 Drawing Sheets



(56)

References Cited

U.S. PATENT DOCUMENTS

2019/0106034 A1* 4/2019 Leon Guerrero B60N 2/3045
2021/0070202 A1* 3/2021 Li B60N 2/6054

OTHER PUBLICATIONS

URPOWER 4-in-1 Convertible Dog Car Seat Cover, announced 2019 [online], [site visited Jul. 8, 2021]. Available from internet, URL:<<https://www.amazon.com/URPOWER-Waterproof-Nonslip-Armrest-Compatible/dp/B07VPPGHDY/?th=1>> (Year: 2019).*

* cited by examiner

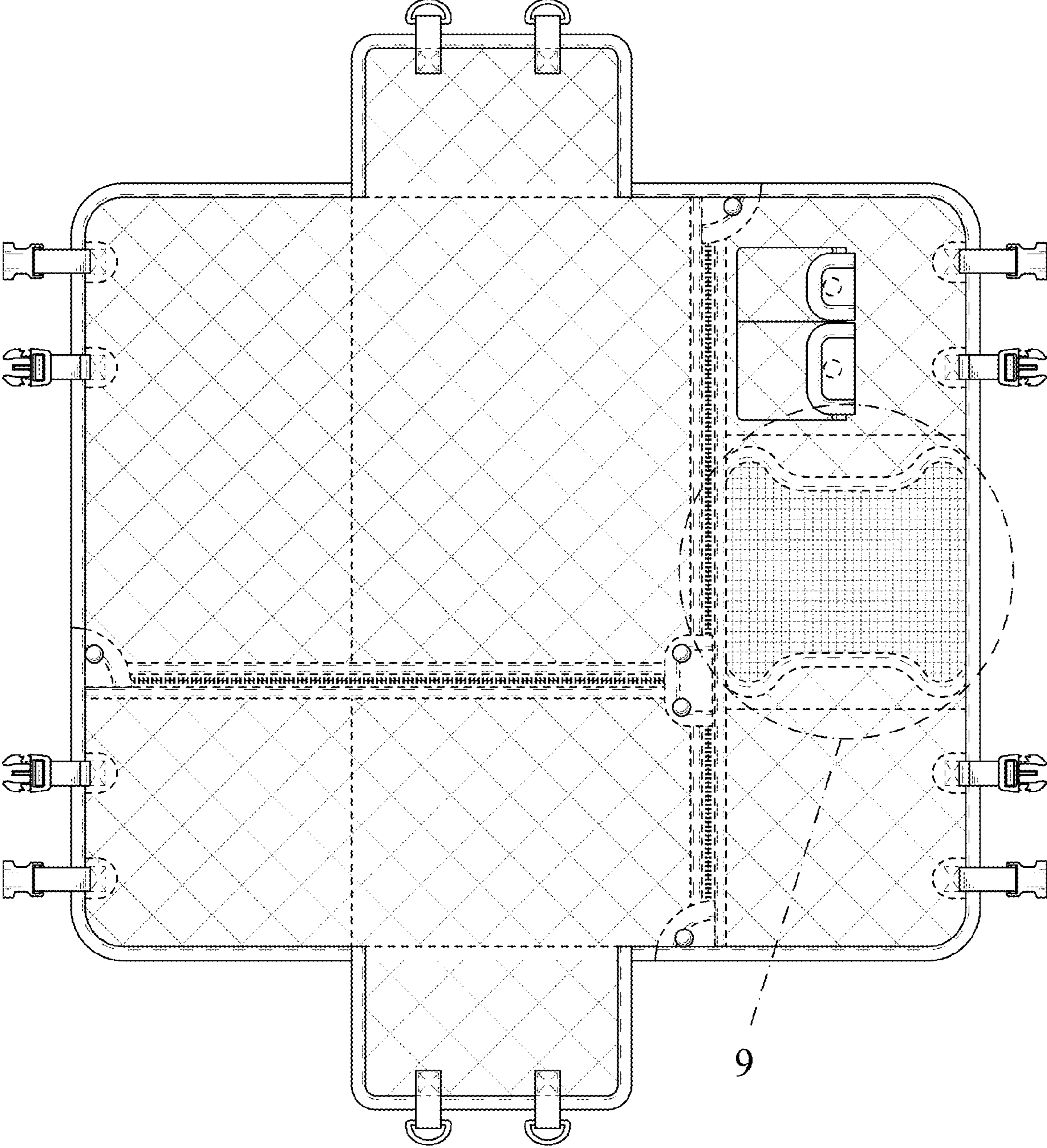


FIG. 1

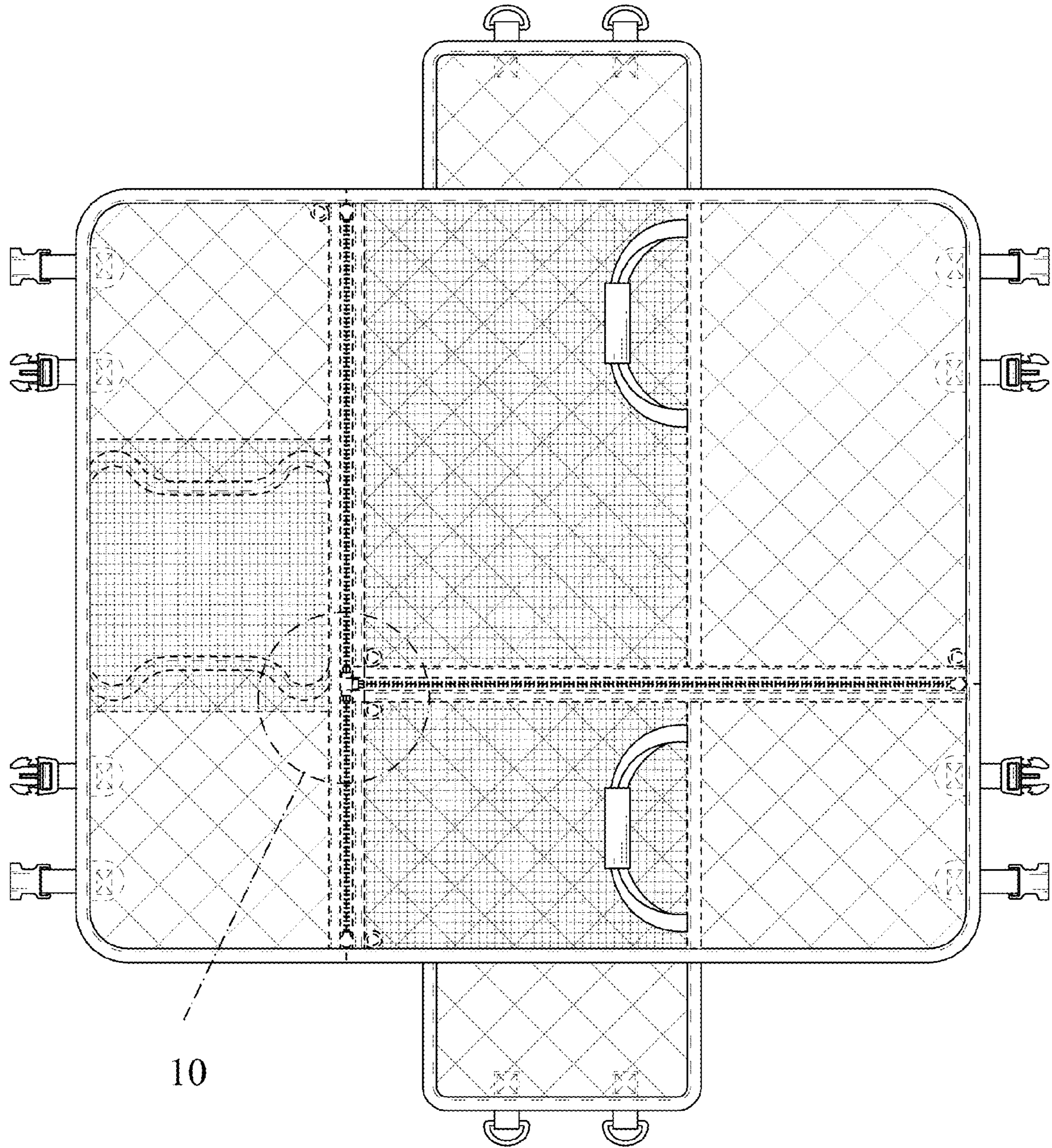


FIG. 2

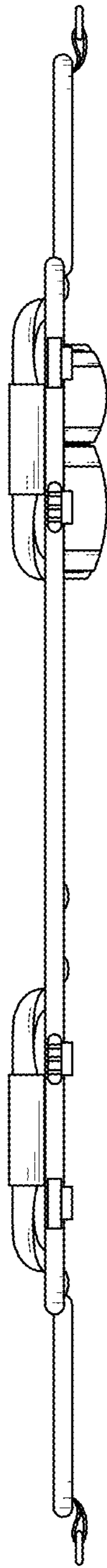


FIG. 3

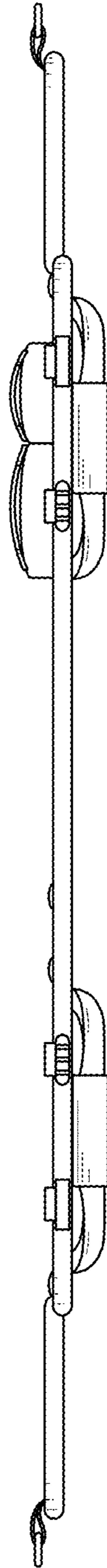


FIG. 4

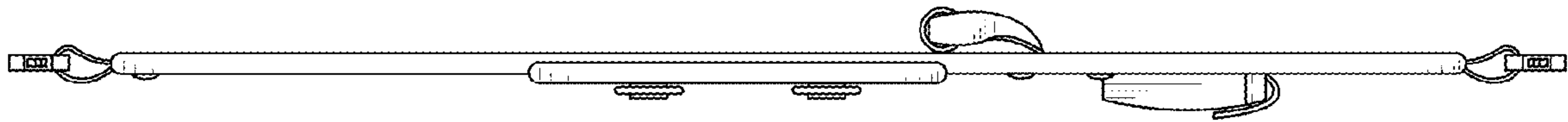


FIG. 5

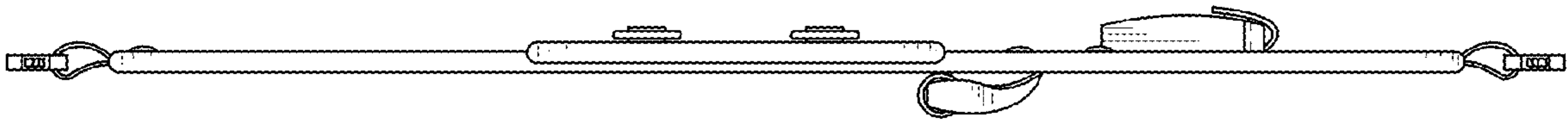


FIG. 6

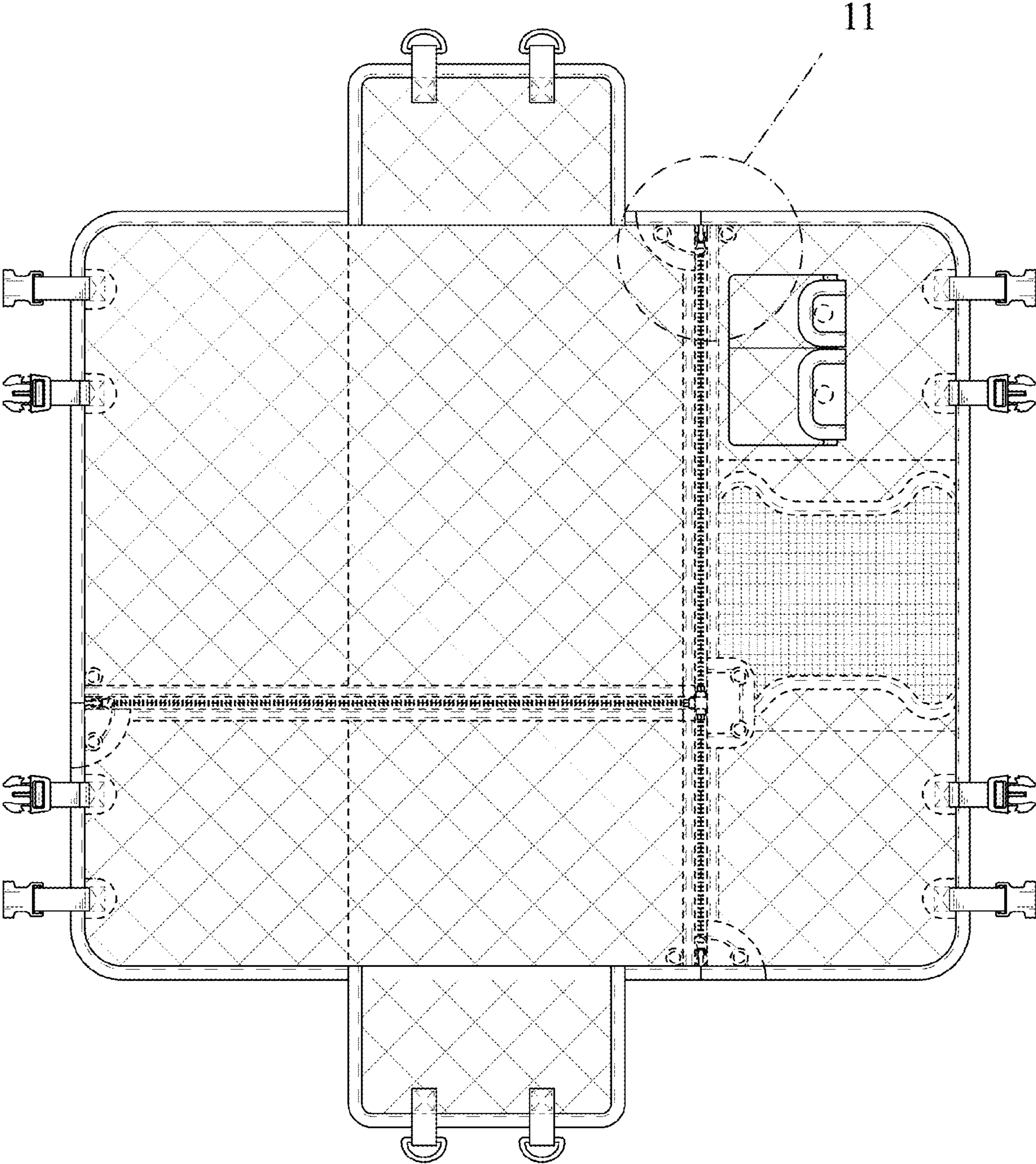


FIG. 7

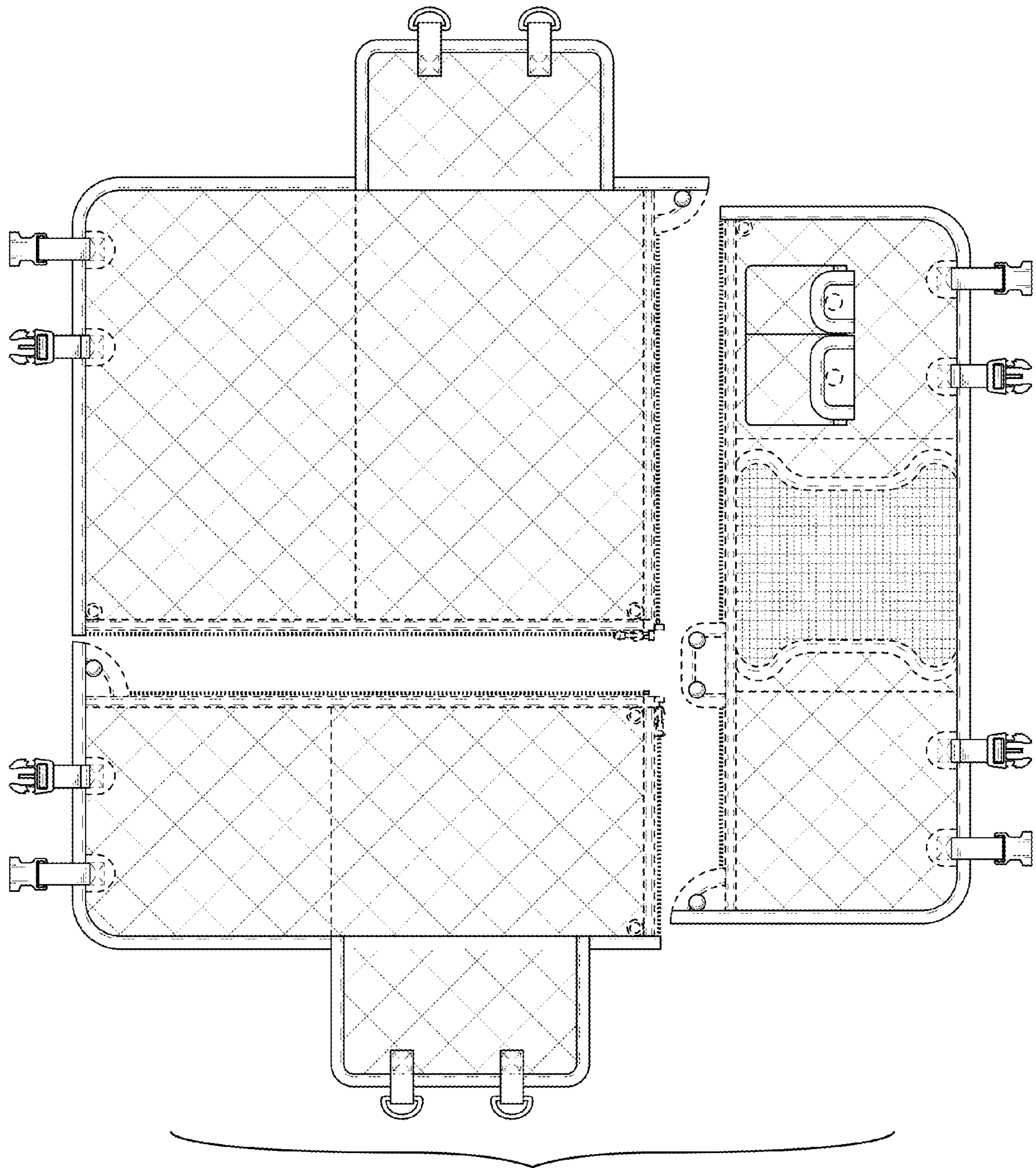


FIG. 8

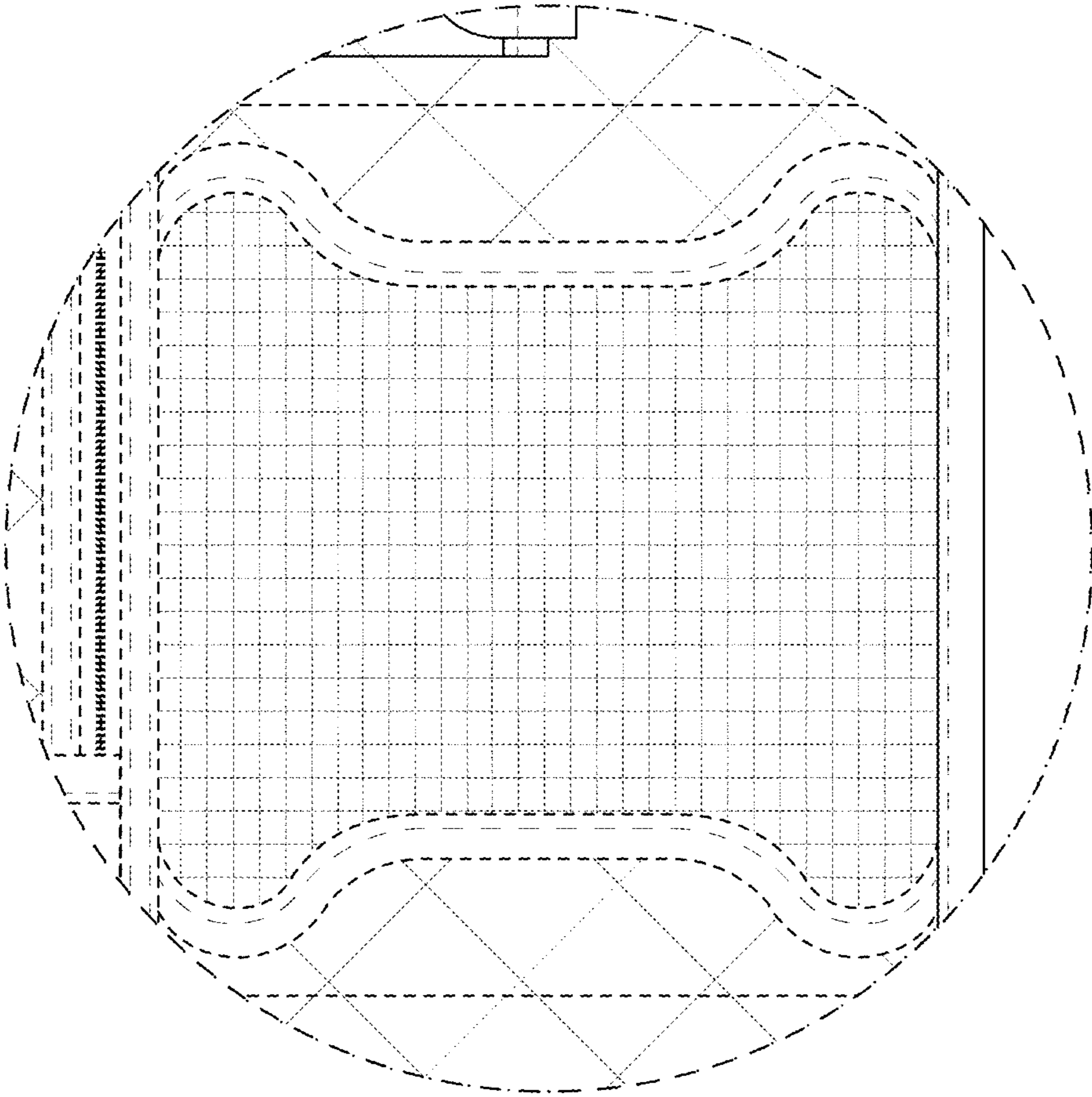


FIG. 9

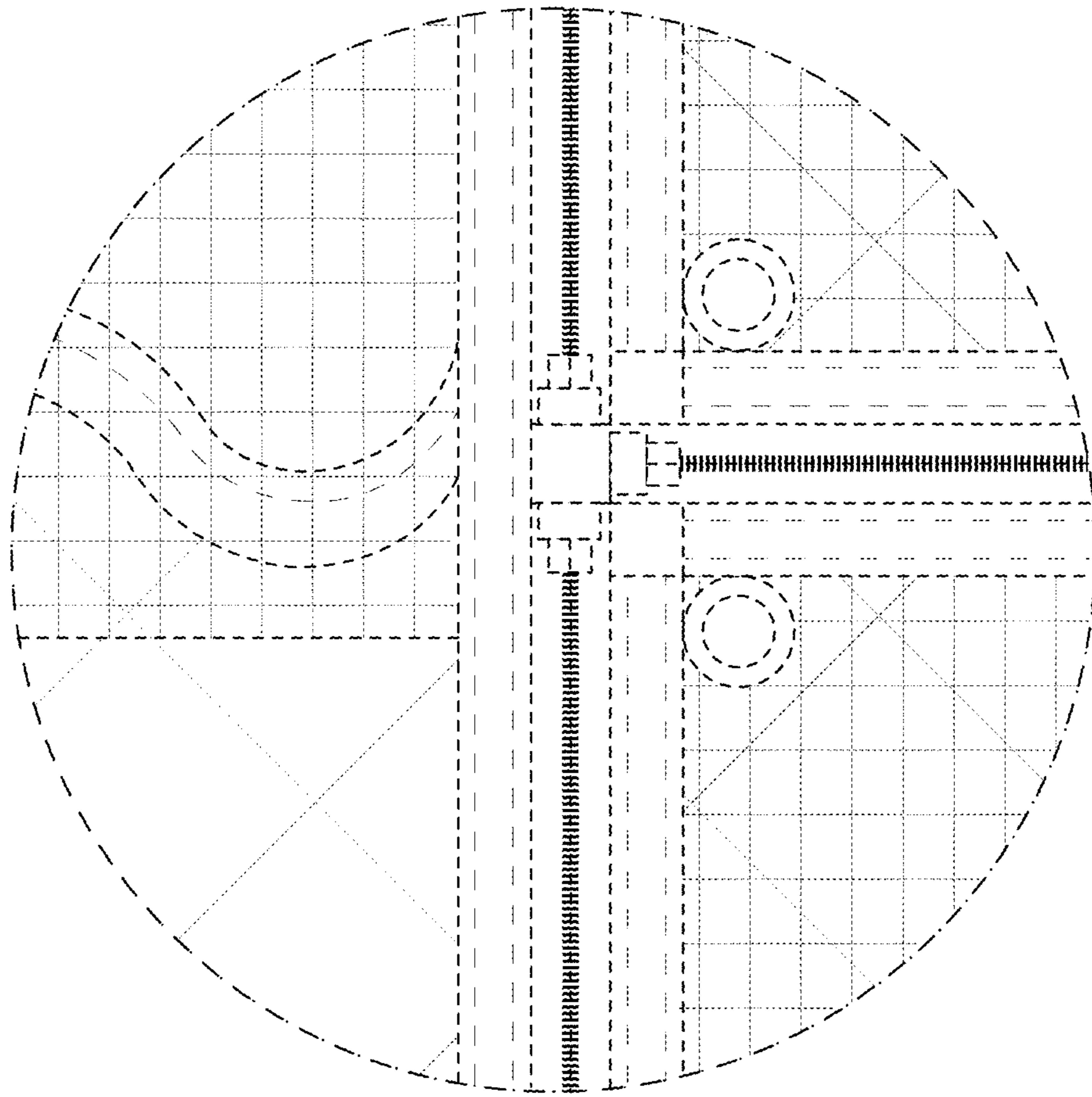


FIG. 10

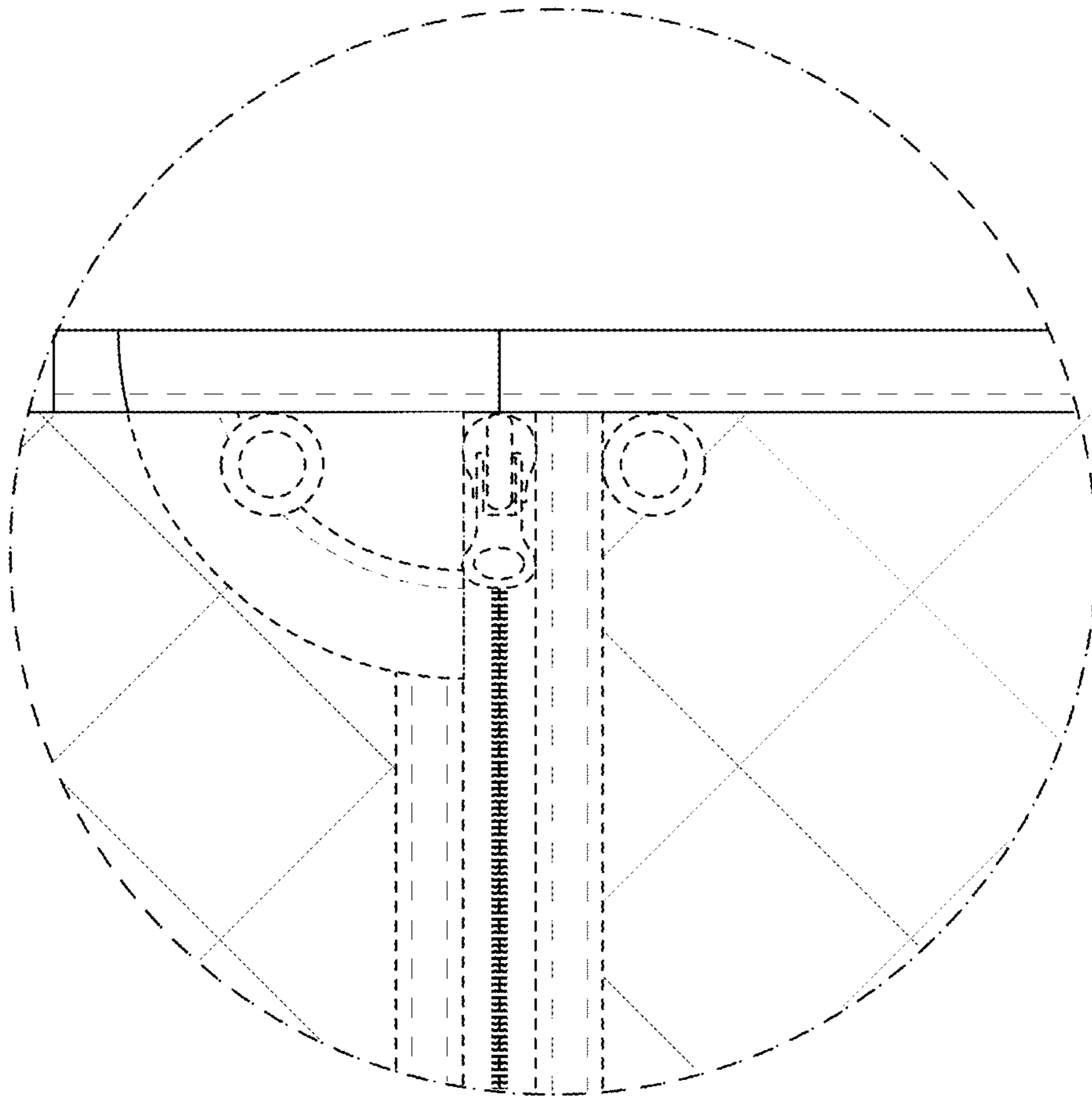


FIG. 11