



US00D946310S

(12) **United States Design Patent** (10) **Patent No.:** **US D946,310 S**
Xu (45) **Date of Patent:** **** Mar. 22, 2022**

(54) **PREGNANCY PILLOW** 7,513,001 B1 * 4/2009 Leach A47C 27/086
5/632
(71) Applicant: **Fei Xu**, Hangzhou (CN) D666,861 S * 9/2012 Phillips D6/601
D768,409 S * 10/2016 Park D6/601
(72) Inventor: **Fei Xu**, Hangzhou (CN) D830,733 S * 10/2018 Mi D6/601
D864,611 S * 10/2019 Gao D6/601
(73) Assignee: **Hangzhou Furong Textile Co., Ltd.**,
Hangzhou (CN) 10,736,444 B1 * 8/2020 Leach A61G 13/1225
D896,549 S 9/2020 Rozon
(Continued)

(**) Term: **15 Years**

FOREIGN PATENT DOCUMENTS

(21) Appl. No.: **29/774,306**

CN 304320121 * 10/2017
CN 305482847 * 12/2019

(22) Filed: **Mar. 16, 2021**

(Continued)

(51) **LOC (13) Cl.** **06-09**

(52) **U.S. Cl.**
USPC **D6/601**

OTHER PUBLICATIONS

(58) **Field of Classification Search**
USPC D6/595, 596, 597, 600, 601, 603, 604,
D6/605, 606, 608, 522, 546, 582, 583;
D24/183, 185, 234; D21/803, 804, 805,
D21/809, 439, 440
CPC A47G 2009/1018; A47G 2009/003; A47G
9/0253; A47G 9/10; A47G 9/1027; A47G
9/1036; A47G 9/1054; A47G 9/1063;
A47G 9/1072; A47G 9/1081; A47G
9/109; A45F 4/06; A47C 21/06; A47C
7/18; A47C 20/00; A47C 17/80; A47C
17/82; A47C 17/64; A47C 27/00; A47C
27/14; A47C 23/00

Google search: "pregnancy support cushion" [site visited Nov. 16, 2021]: https://www.google.com/search?q=pregnancy+support+cushion&sxsrf=AOaemvKnOOwgzKIYQt7taD5lmY6nX5psSw:1637090673579&source=lnms&tbn=isch&sa=X&ved=2ahUKEwjT38CAzp30AhWCmXIEHbohBq8Q_AUoAnoECAEQBA&biw=1200&bih=1777&dpr=1 (Year: 2021).*

(Continued)

See application file for complete search history.

Primary Examiner — Sanjeev Paul

(57) **CLAIM**

The ornamental design for a pregnancy pillow, as shown and described.

(56) **References Cited**

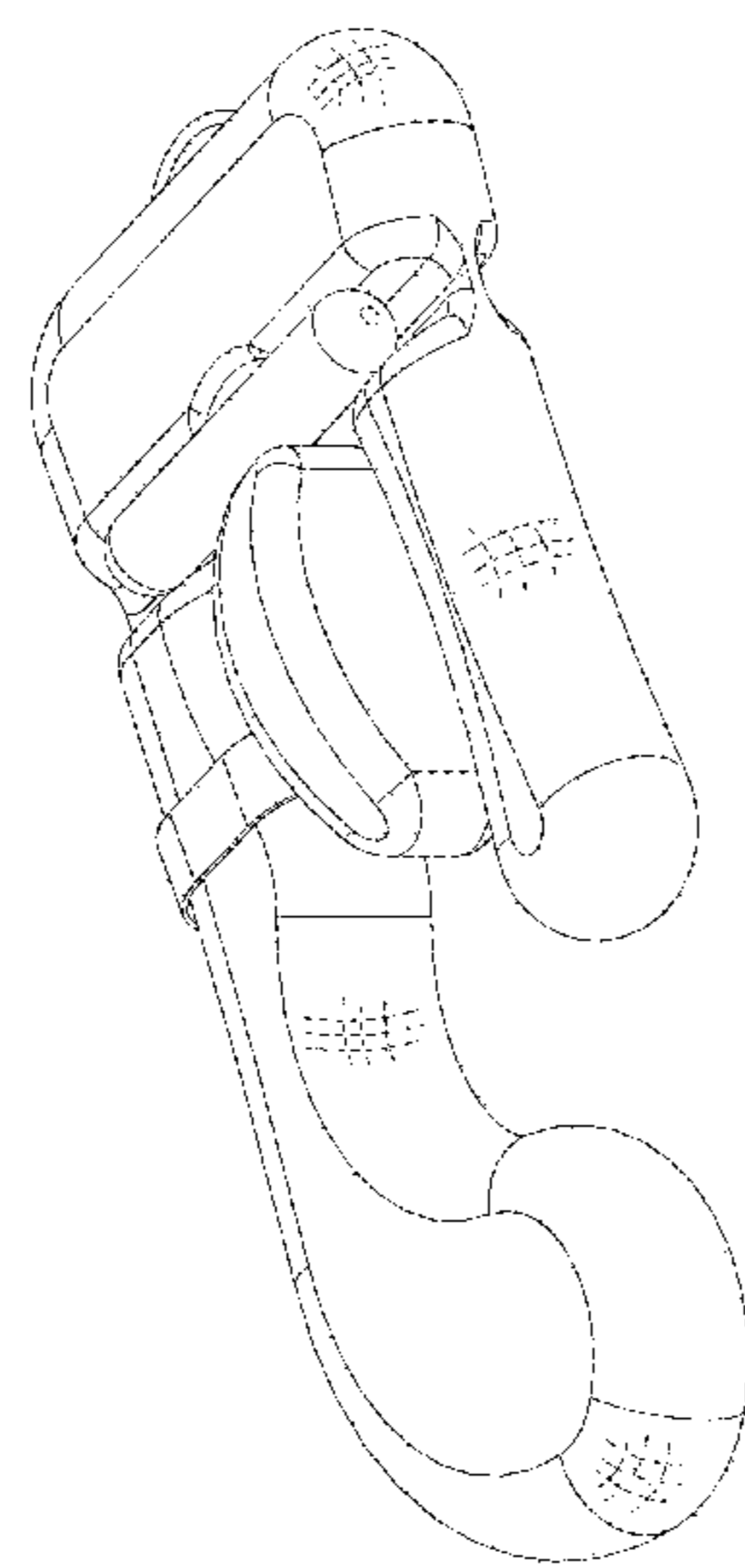
DESCRIPTION

U.S. PATENT DOCUMENTS

D201,492 S * 6/1965 Jacobson D6/601
D382,435 S * 8/1997 Schaffner D6/596
6,052,848 A * 4/2000 Kelly A47C 20/021
5/630
D431,745 S * 10/2000 Jackson D6/601
D453,653 S * 2/2002 Tunnell A47C 20/021
D6/601
6,499,164 B1 * 12/2002 Leach A47C 20/021
5/630

FIG. 1 is a perspective view of a pregnancy pillow showing my new design;
FIG. 2 is a front elevational view thereof;
FIG. 3 is a rear elevational view thereof;
FIG. 4 is a left side elevational view thereof;
FIG. 5 is a right side elevational view thereof;
FIG. 6 is a top plan view thereof; and,
FIG. 7 is a bottom plan view thereof.

1 Claim, 7 Drawing Sheets



(56)

References Cited

OTHER PUBLICATIONS

U.S. PATENT DOCUMENTS

D906,013 S * 12/2020 Chunyu D6/601
D908,395 S * 1/2021 David D6/601
D908,396 S * 1/2021 Chen D6/604
D914,398 S * 3/2021 Gao
D923,971 S * 7/2021 Qiu D6/601
2006/0174413 A1* 8/2006 Kakehashi A47G 9/10
5/632
2007/0283495 A1* 12/2007 Ghani A47G 9/10
5/636
2008/0148487 A1* 6/2008 Lord A47C 20/027
5/632
2022/0007864 A1* 1/2022 Baumel A47G 9/1072

FOREIGN PATENT DOCUMENTS

CN 306346248 * 2/2021
CN 306773972 * 8/2021
CN 306807400 * 9/2021

Google search: "pregnancy support" [site visited Nov. 16, 2021]:https://www.google.com/search?q=pregnancy+support&sxsrf=AOaemvI44E-3q_zo7QgG3yvmeXKkAphK3g:1637090615024&source=lnms&tbm=isch&sa=X&ved=2ahUKEwjM7crkzZ30AhV8kHIEHdZ6C84Q_AUoAnoECAIQBA&biw=1200&bih=1777&dpr=1 (Year: 2021).*

Google search: "pregnancy pillow" [site visited Nov. 16, 2021]:https://www.google.com/search?q=pregnancy+pillow&sxsrf=AOaemvKuvSM8ixDRtBLQH_OvuEHS7ugxwg:1637090435484&source=lnms&tbm=isch&sa=X&ved=2ahUKEwj4tftyOzZ30AhVkYzUKHYw4ATsQ_AUoAnoECAEQBA&biw=1200&bih=1777&dpr=1 (Year: 2021).*

* cited by examiner

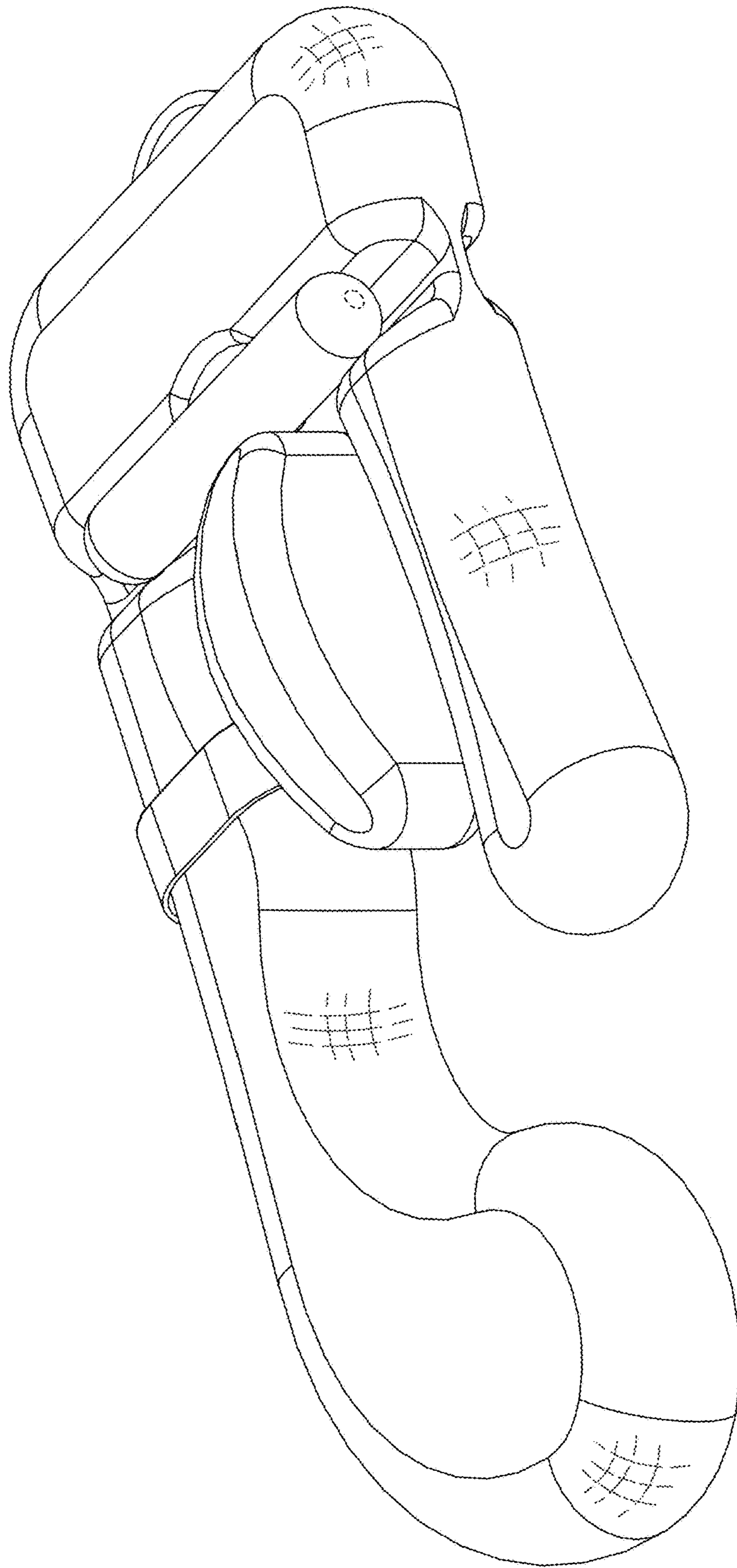


FIG.1

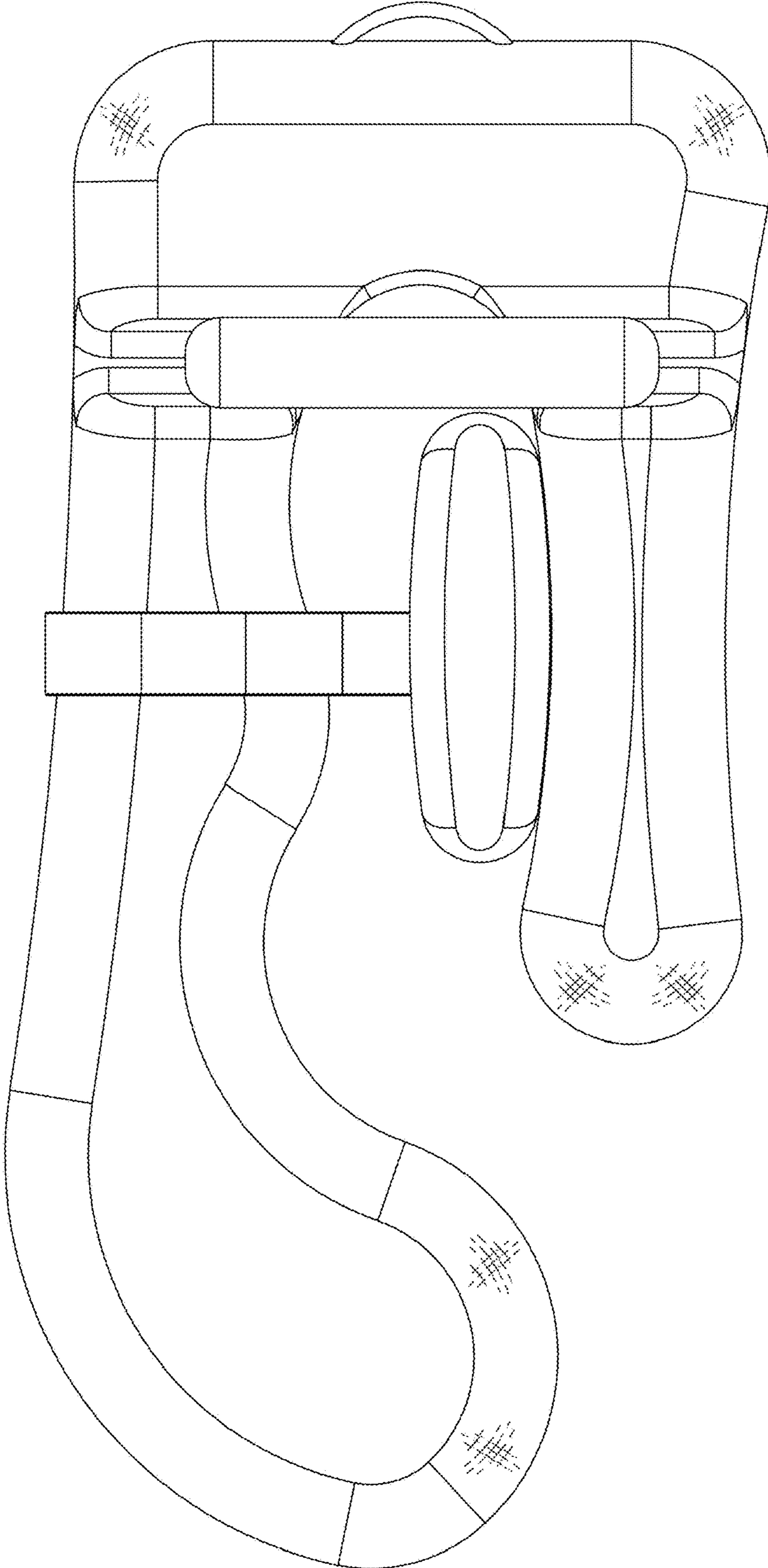


FIG.2

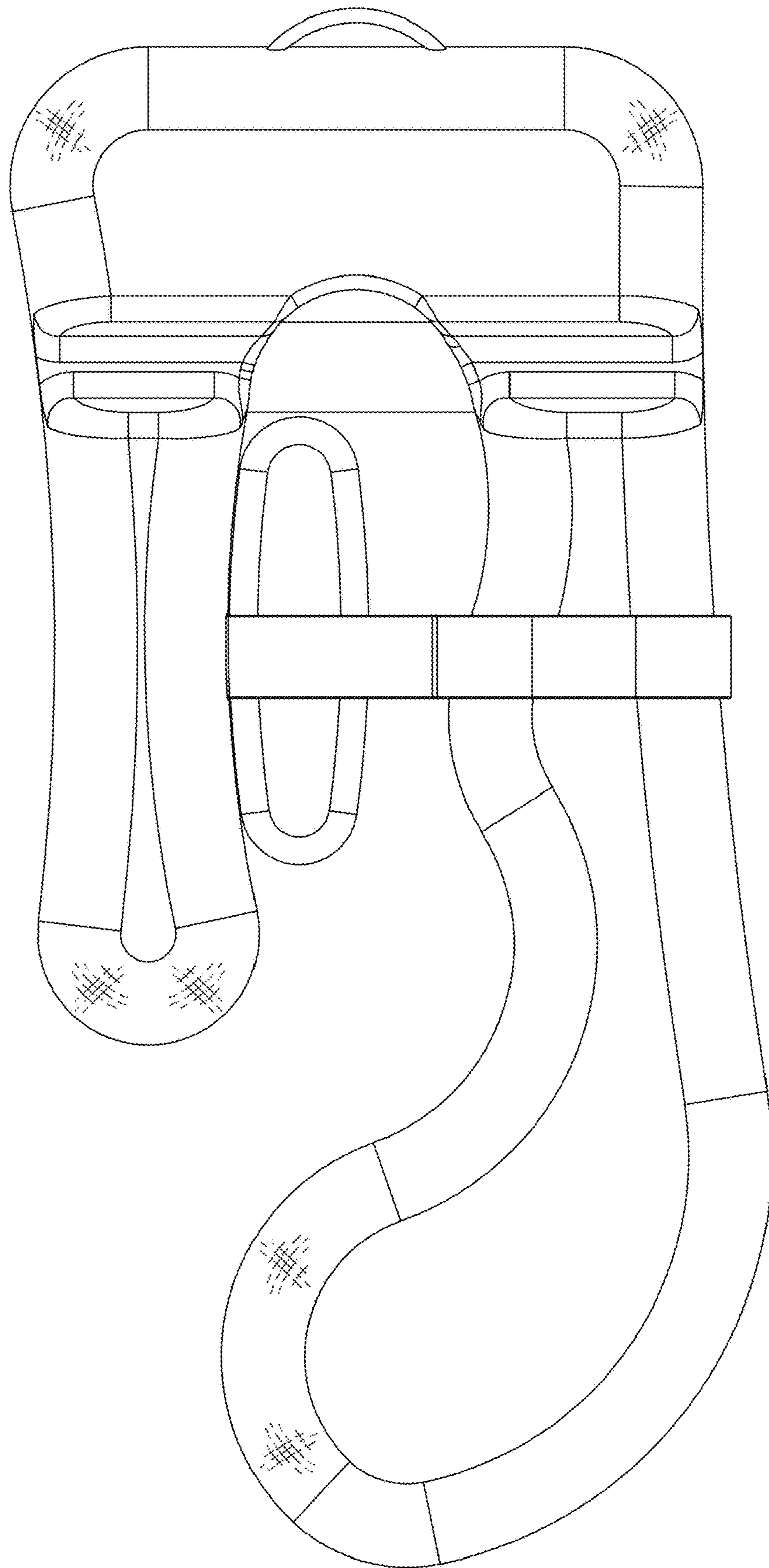


FIG.3

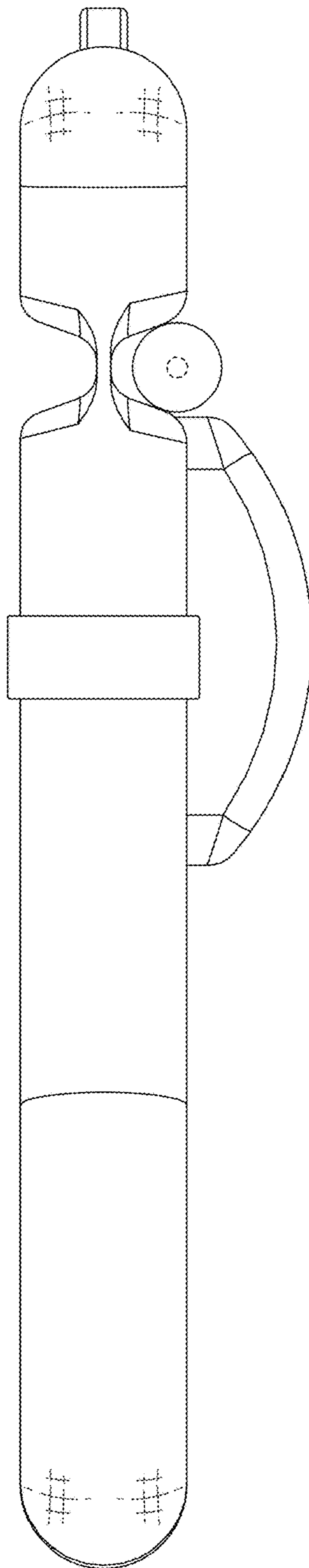


FIG.4

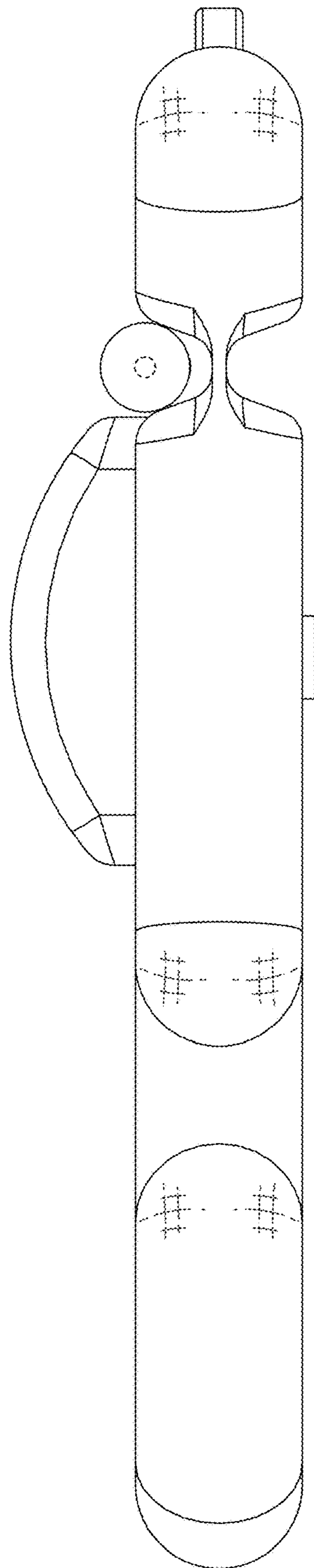


FIG.5

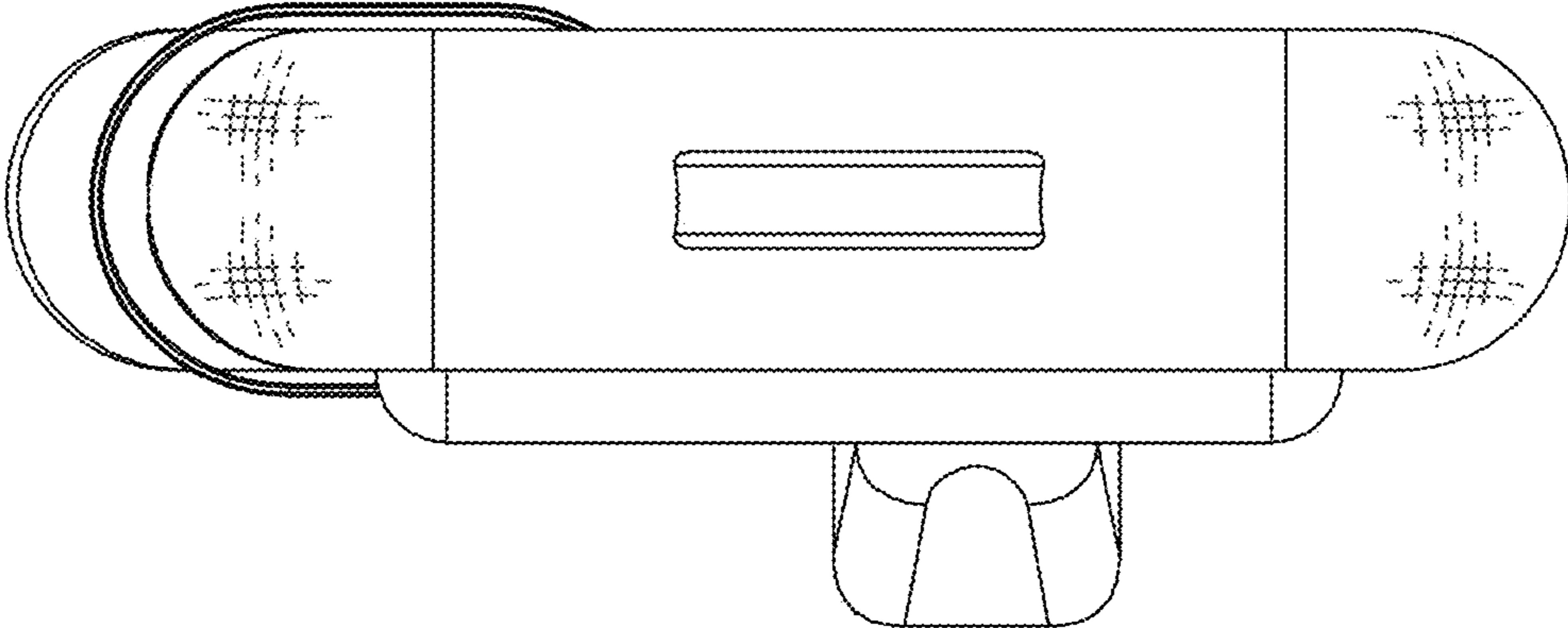


FIG.6

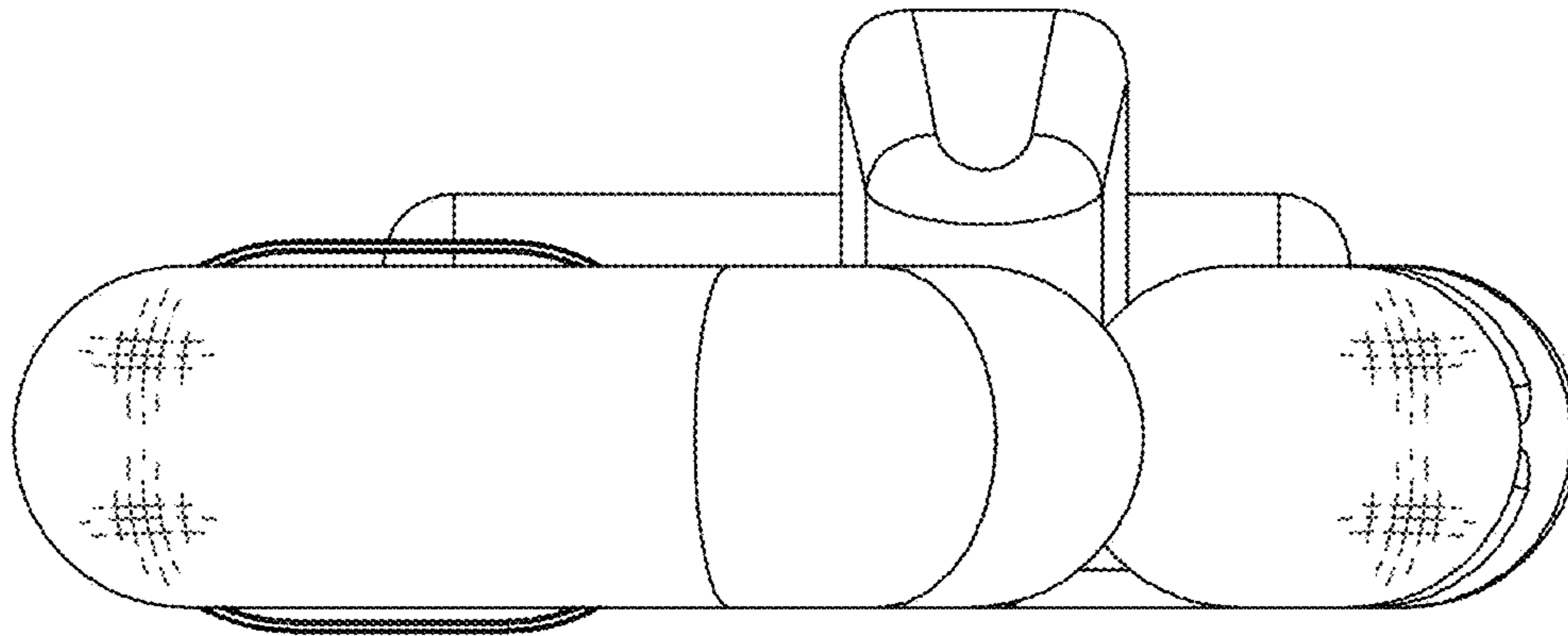


FIG.7