



US00D946308S

(12) **United States Design Patent**
Rifelj

(10) **Patent No.:** **US D946,308 S**
(45) **Date of Patent:** **** Mar. 22, 2022**

(54) **PILLOW WITH MULTIPLE REPLACABLE INSERTS**

(71) Applicant: **Marko Rifelj**, Otocec (SI)

(72) Inventor: **Marko Rifelj**, Otocec (SI)

(**) Term: **15 Years**

(21) Appl. No.: **29/709,073**

(22) Filed: **Oct. 11, 2019**

(51) **LOC (13) Cl.** **06-09**

(52) **U.S. Cl.**
USPC **D6/601**

(58) **Field of Classification Search**
USPC D6/582-583, 587-592, 595-609,
D6/617-622; D21/803-809; D24/183
CPC A47G 9/00; A47G 2009/001; A47G
2009/002; A47G 2009/003; A47G 9/10;
A47G 9/1009; A47G 2009/1018; A47G
9/1045; A47G 9/1081; A47G 9/109;
A47G 9/007; A61G 7/072

See application file for complete search history.

(56) **References Cited**

U.S. PATENT DOCUMENTS

7,444,702	B2	11/2008	Fogg
2010/0175193	A1	7/2010	Oh et al.
2016/0022063	A1	1/2016	Fulkerson et al.
2016/0166074	A1	6/2016	Rose et al.
2017/0245664	A1	8/2017	Ives

Primary Examiner — Jennifer L Rempfer
(74) *Attorney, Agent, or Firm* — Kanika Radhakrishnan;
Evergreen Valley Law Group

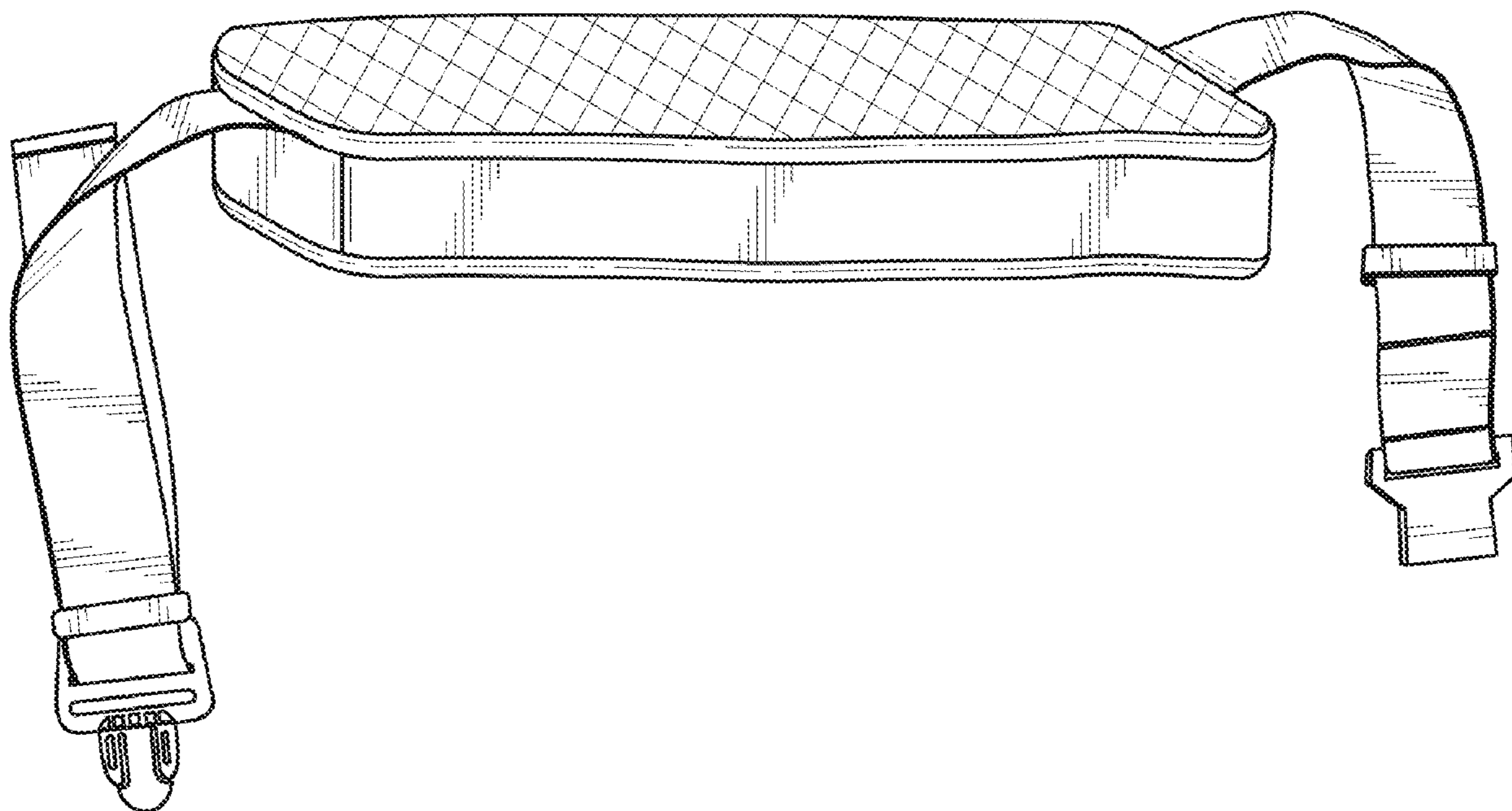
(57) **CLAIM**

The ornamental design for a pillow with multiple replacable inserts, as shown and described.

DESCRIPTION

FIG. 1 is a front perspective view of the pillow, FIG. 2 is a rear perspective view of the pillow of FIG. 1; FIG. 3 is a front view of the pillow of FIG. 1; FIG. 4 is a rear view of the pillow of FIG. 1; FIG. 5 is a left side view of the pillow of FIG. 1, the right side being a mirror image thereof FIG. 6 is a rear view of the pillow of FIG. 1, with unfastened back to allow for adding thereto or removing therefrom one or more inserts; FIG. 7 is a front view of the first insert configuration for pillow of FIG. 1; FIG. 8 is a front view of the second insert configuration for pillow of FIG. 1; and, FIG. 9 is a front view of the third insert = configuration for pillow of FIG. 1.
The broken lines in the drawings represent portions of the article or environmental subject matter, none of which form part of the claimed design.

1 Claim, 7 Drawing Sheets



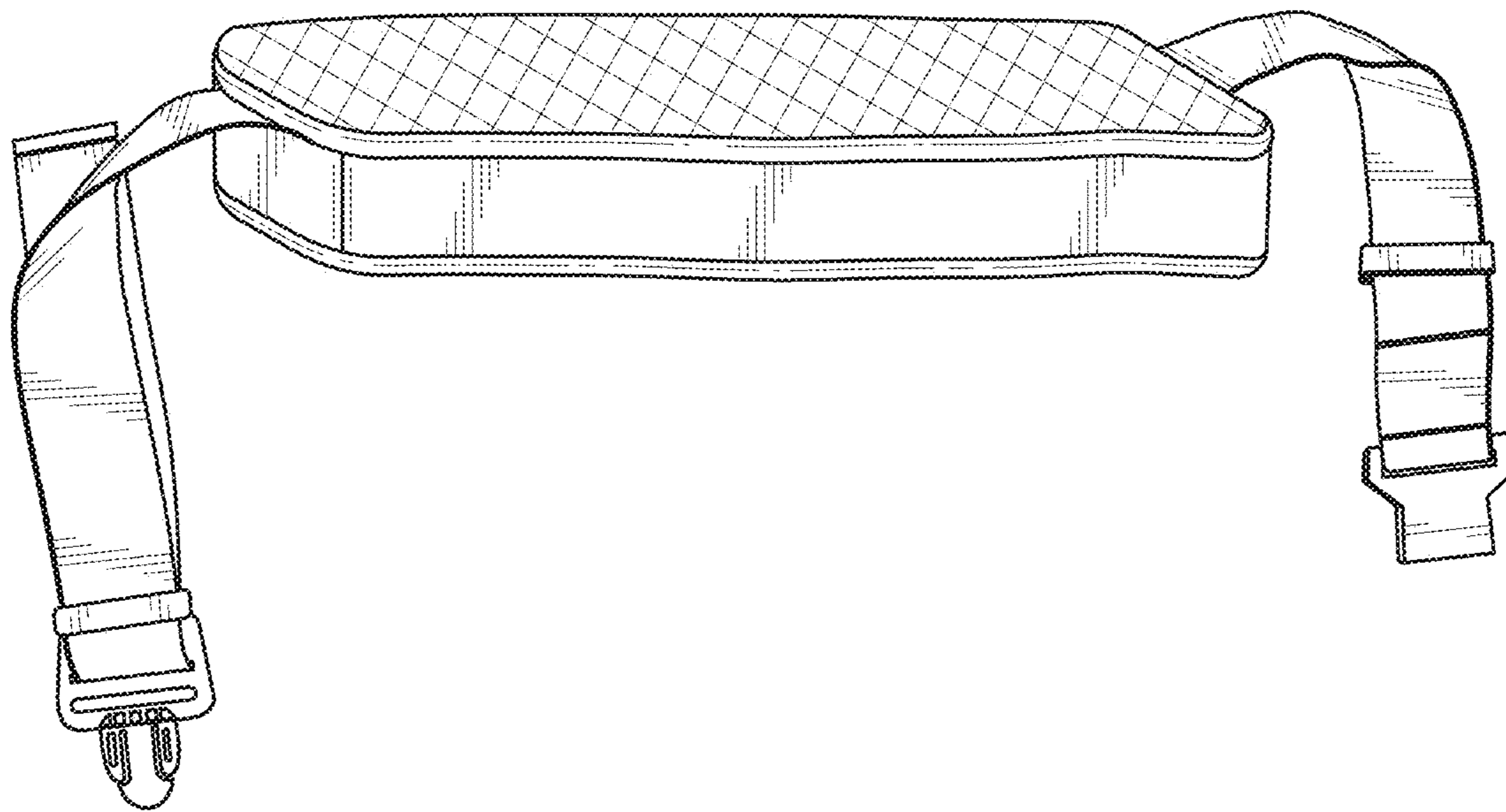


FIG. 1

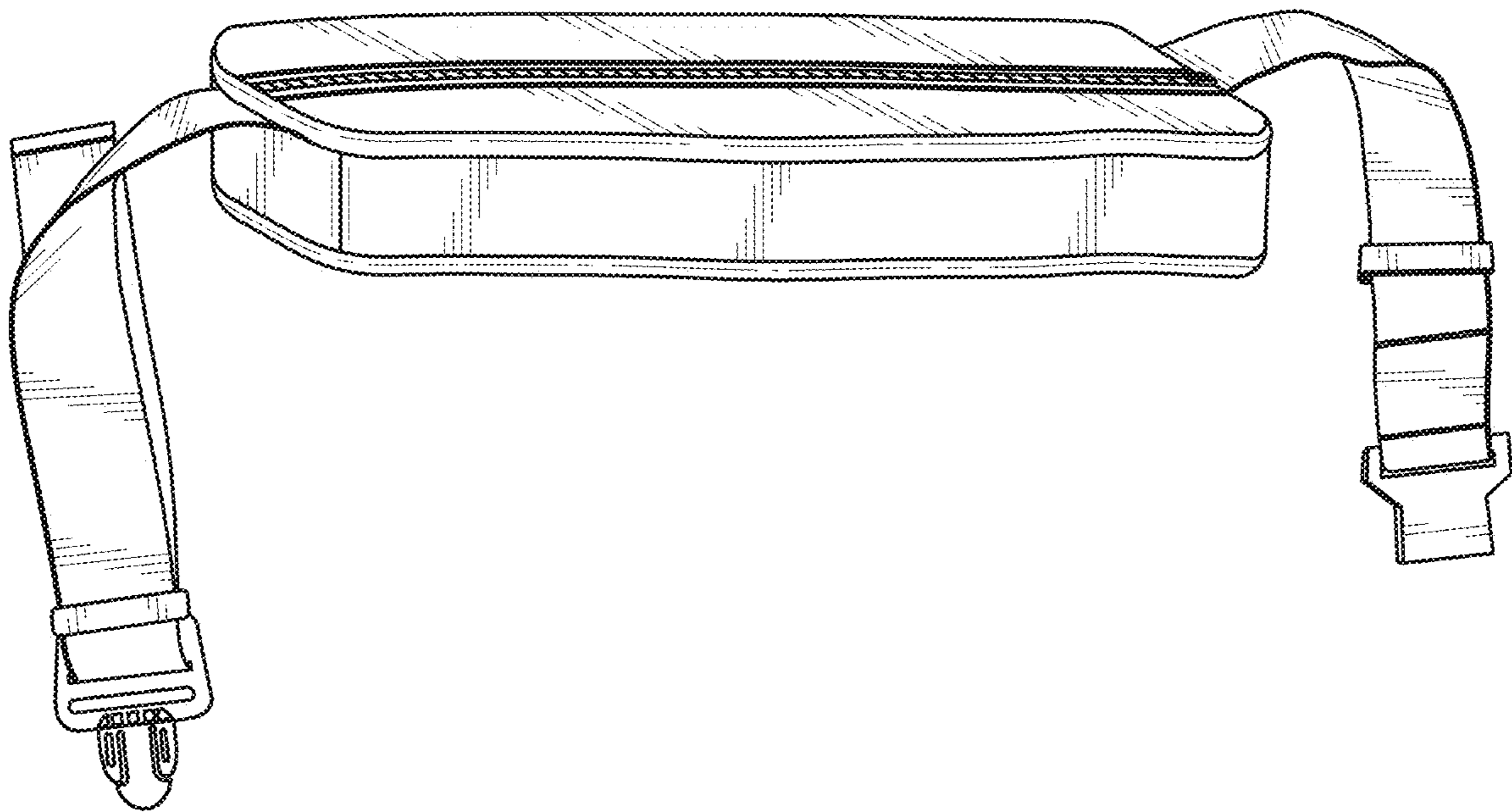


FIG. 2

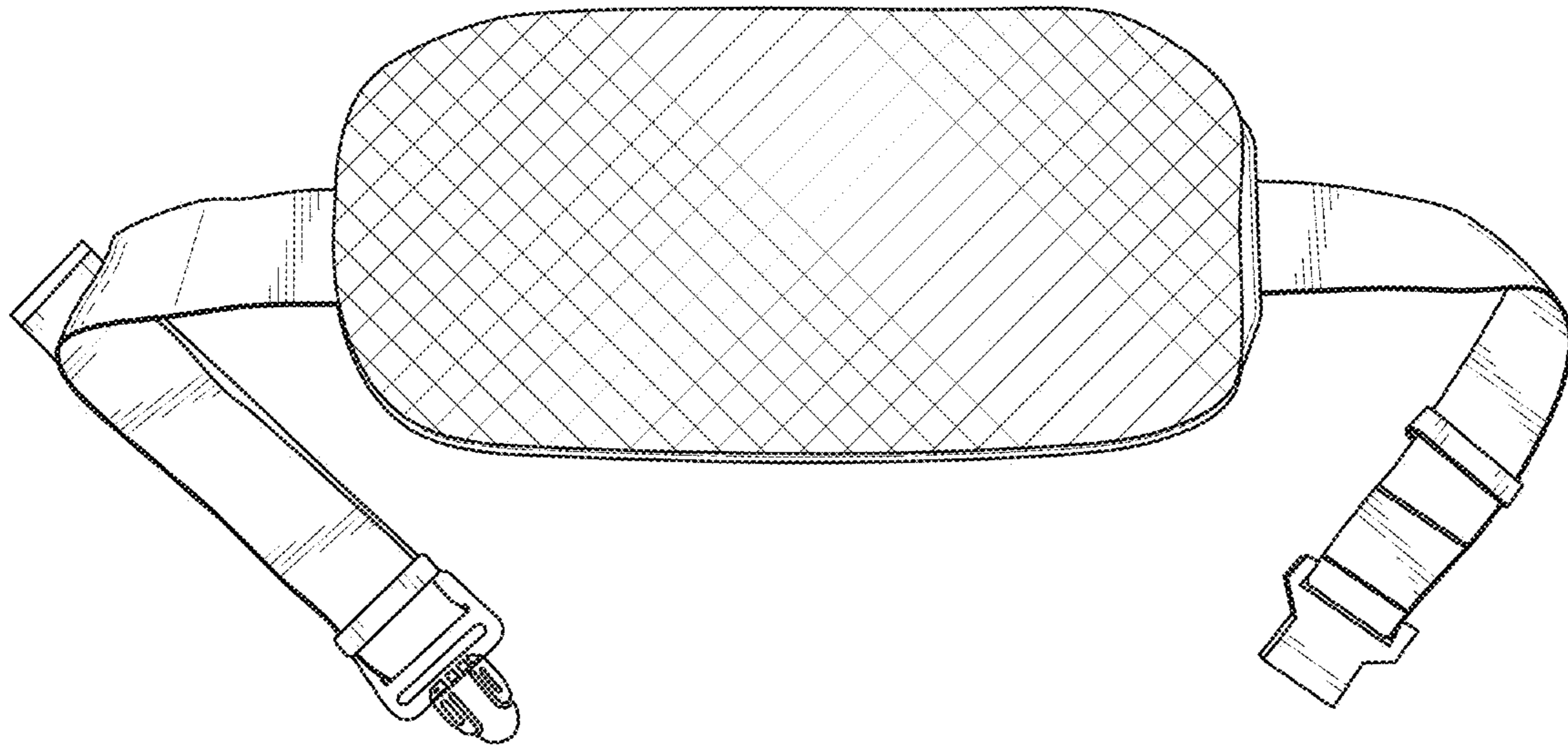


FIG. 3

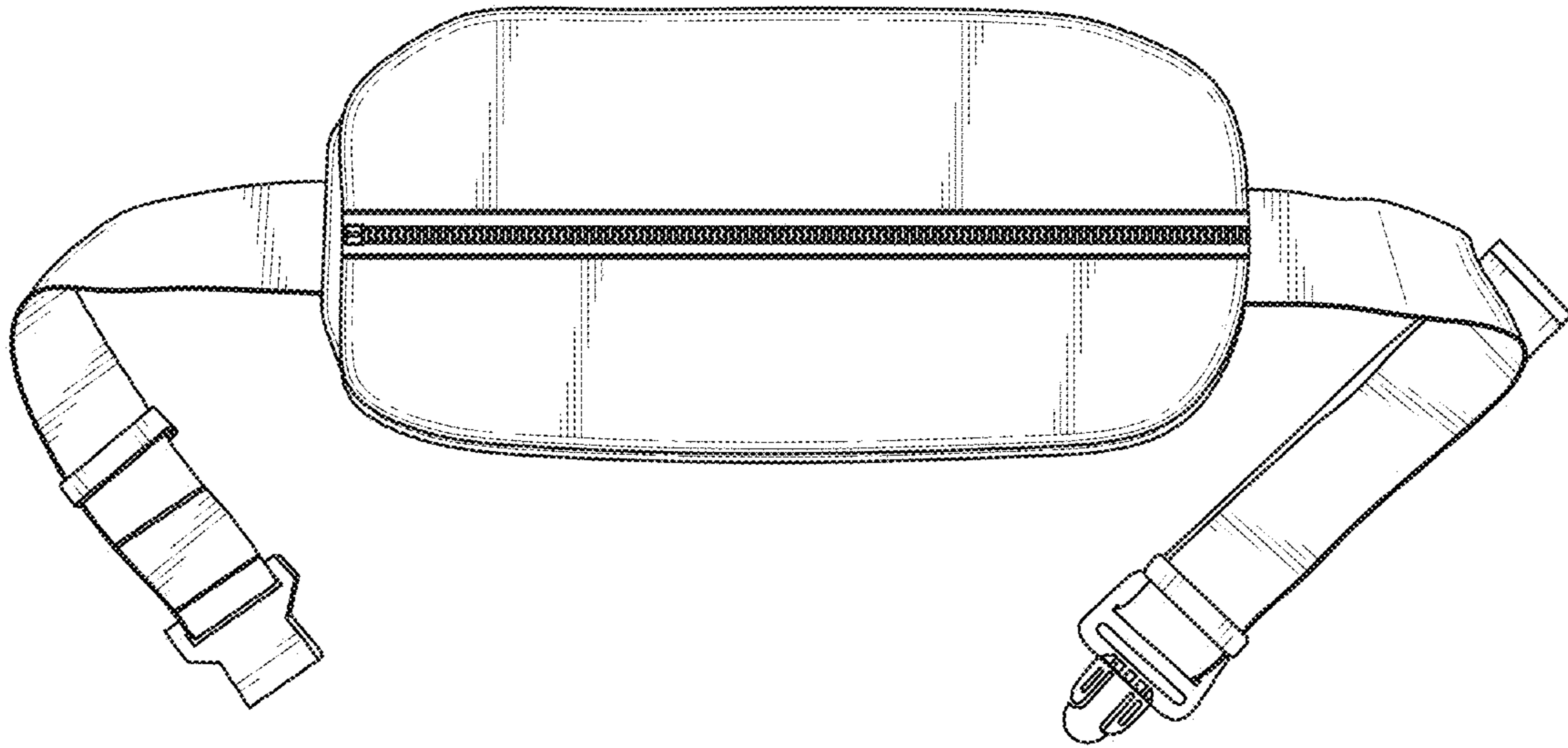


FIG. 4

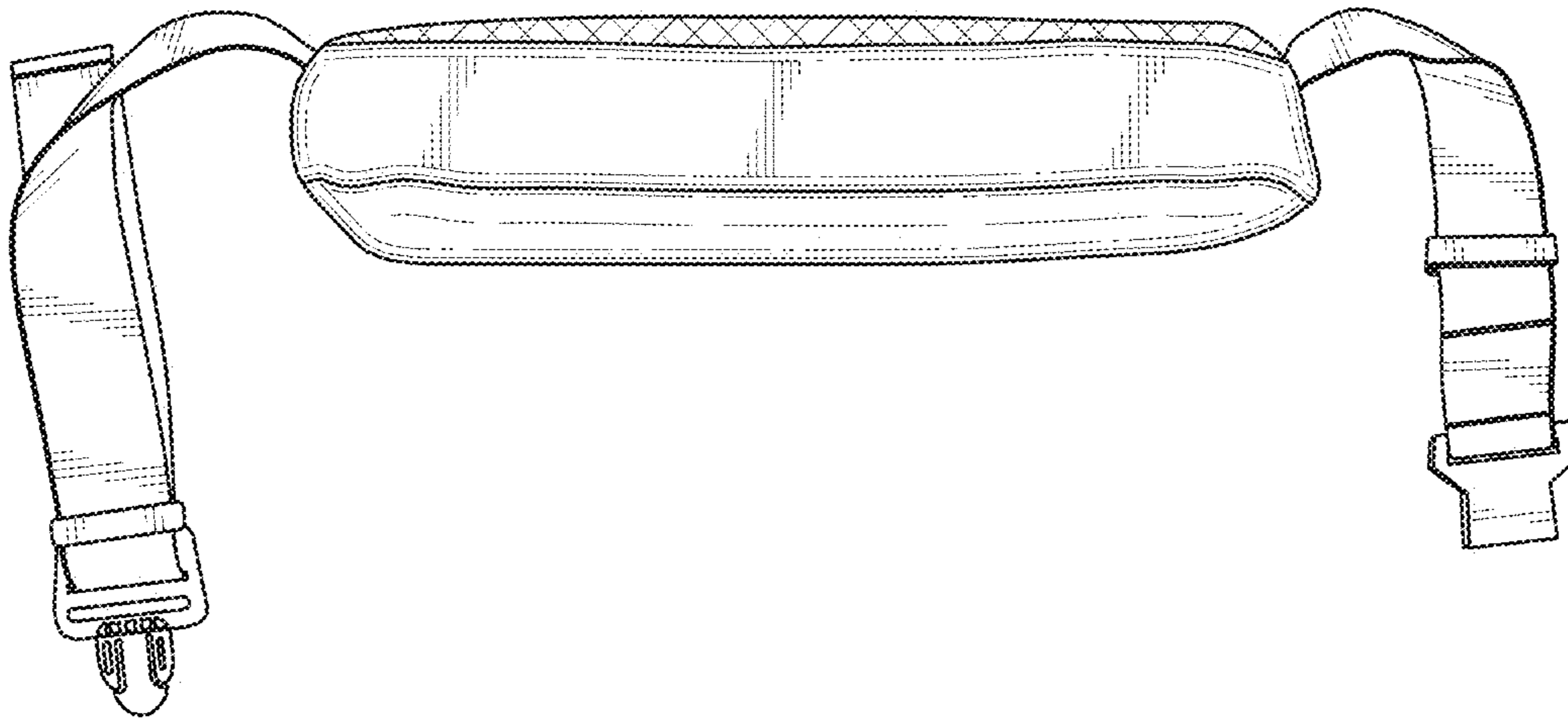


FIG. 5

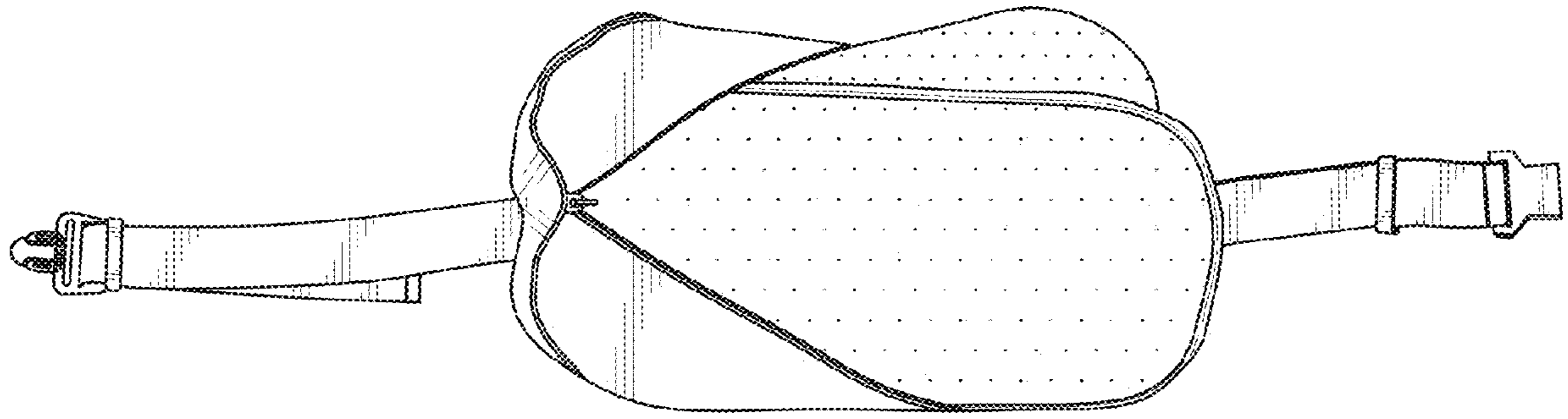


FIG. 6

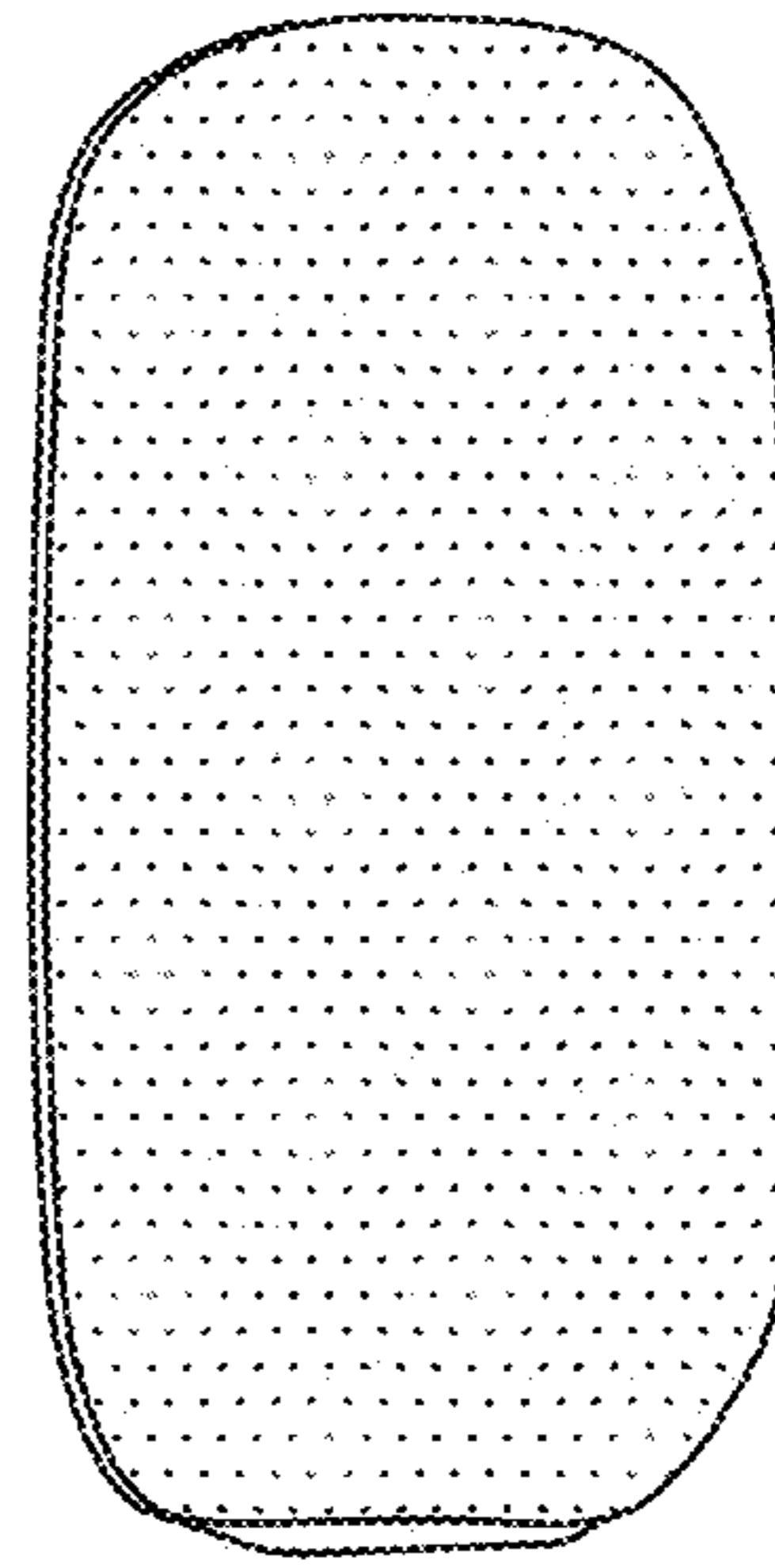
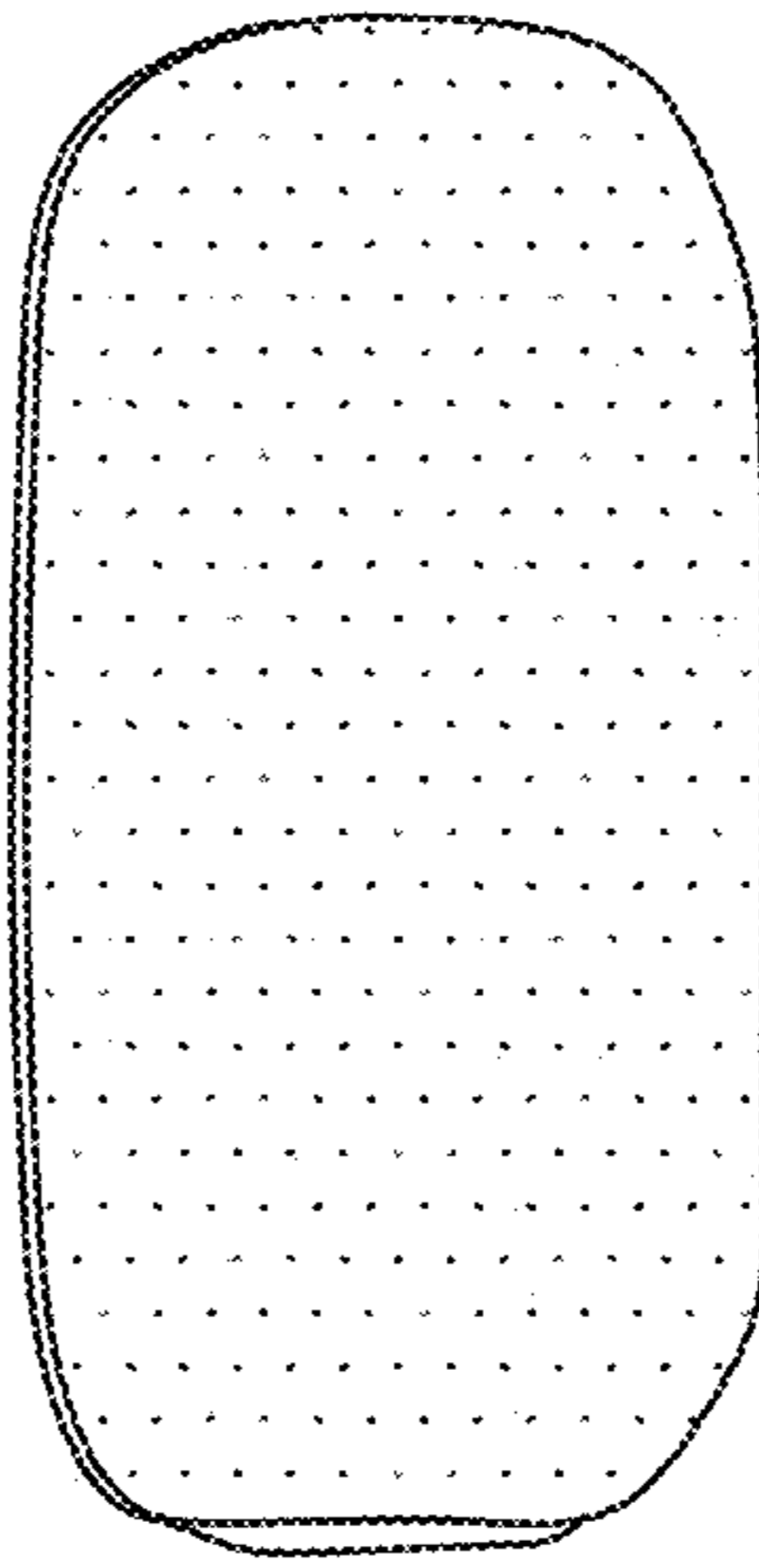
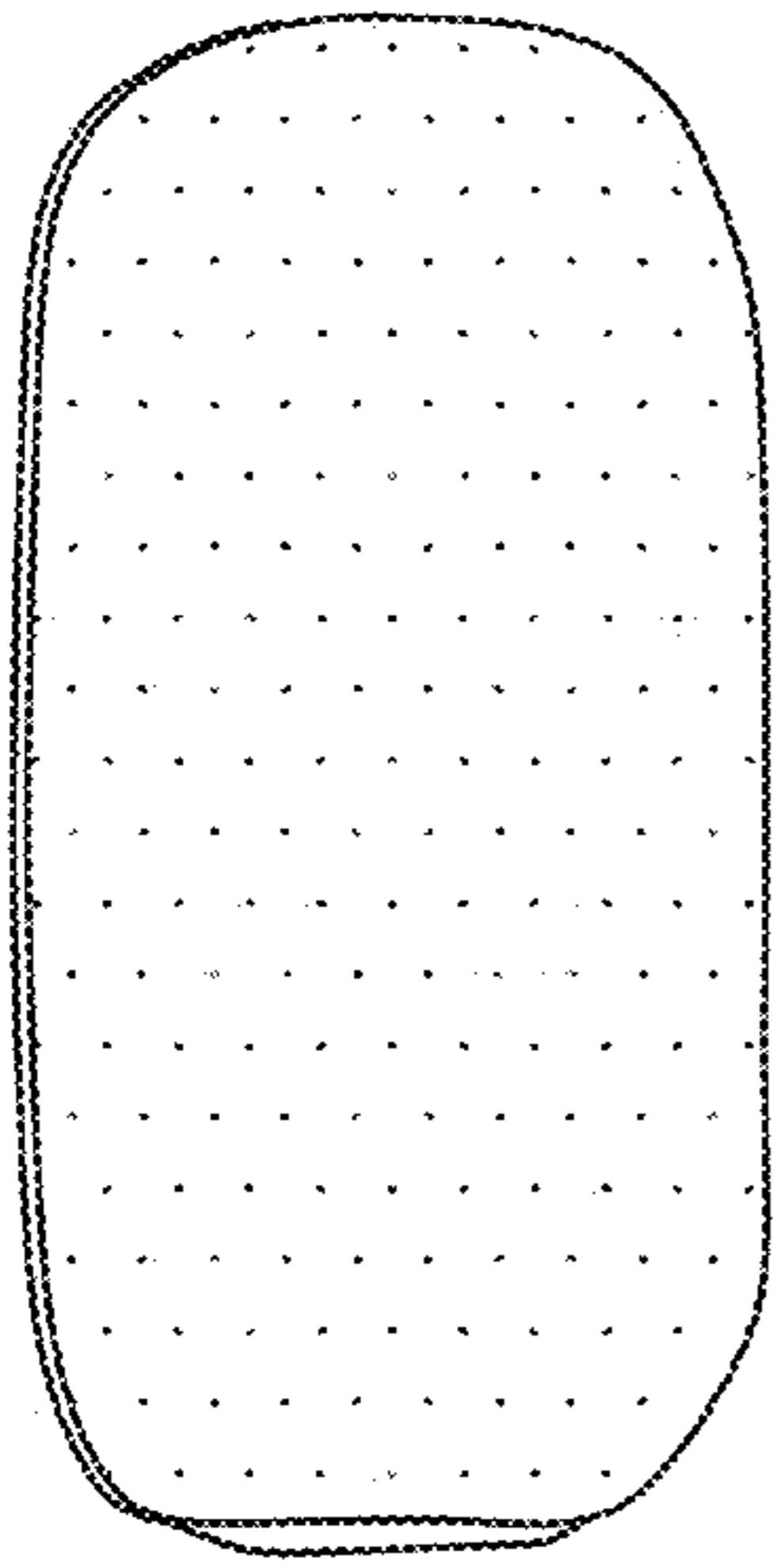


FIG. 7

FIG. 8

FIG. 9