



US00D946307S

(12) **United States Design Patent**
Thelin et al.

(10) **Patent No.:** **US D946,307 S**

(45) **Date of Patent:** **** Mar. 22, 2022**

(54) **MODULAR MAT**

(71) Applicant: **Spartan Mat LLC**, Gilbert, AZ (US)

(72) Inventors: **Justin Thelin**, Gilbert, AZ (US); **Aaron Allen**, Gilbert, AZ (US)

(73) Assignee: **Spartan Mat LLC**, Gilbert, AZ (US)

(**) Term: **15 Years**

(21) Appl. No.: **29/723,214**

(22) Filed: **Feb. 5, 2020**

(51) **LOC (13) Cl.** **06-11**

(52) **U.S. Cl.**
USPC **D6/582**

(58) **Field of Classification Search**

USPC D6/331, 582-588, 592, 596; D12/203;
D24/212; D32/57; D5/59
CPC A47G 27/0206; A47G 27/0212; A47G
27/0218; A47G 27/0225; A47G 27/0237;
A47G 9/062; A47K 3/002; A47K 7/026;
A47L 23/26; A47L 23/266; A63B
21/4037; A63B 6/00; A63B 23/0464
See application file for complete search history.

(56) **References Cited**

U.S. PATENT DOCUMENTS

D93,992 S * 12/1934 Moore D25/158
2,834,809 A * 5/1958 Schutte B31F 1/07
162/117
4,142,334 A * 3/1979 Kirsch A47L 13/16
451/539
5,170,526 A * 12/1992 Murray A47L 23/266
15/215
D343,087 S * 1/1994 Kaiser D6/583
D451,289 S * 12/2001 Visel D5/53
D474,563 S * 5/2003 Bresciani D25/109
6,946,184 B2 * 9/2005 Robbins, III B32B 3/06
428/120
D540,095 S * 4/2007 Lee D6/583

D619,844 S * 7/2010 Johnson D6/582
D623,317 S * 9/2010 Moore A47L 13/16
D25/138
D745,760 S * 12/2015 White B31F 1/07
D32/40
D794,225 S * 8/2017 Jean D25/163
D832,468 S * 10/2018 Jones D25/163
D882,293 S * 4/2020 Huss A47L 23/266
D6/582
D925,248 S * 7/2021 Venugopal D6/583
D928,993 S * 8/2021 Jones D25/163
D940,478 S * 1/2022 Scorgie D6/582
2007/0280782 A1 * 12/2007 Rogers E01C 9/086
404/35

* cited by examiner

Primary Examiner — Kevin K Rudzinski

Assistant Examiner — Clare Ann Gannon

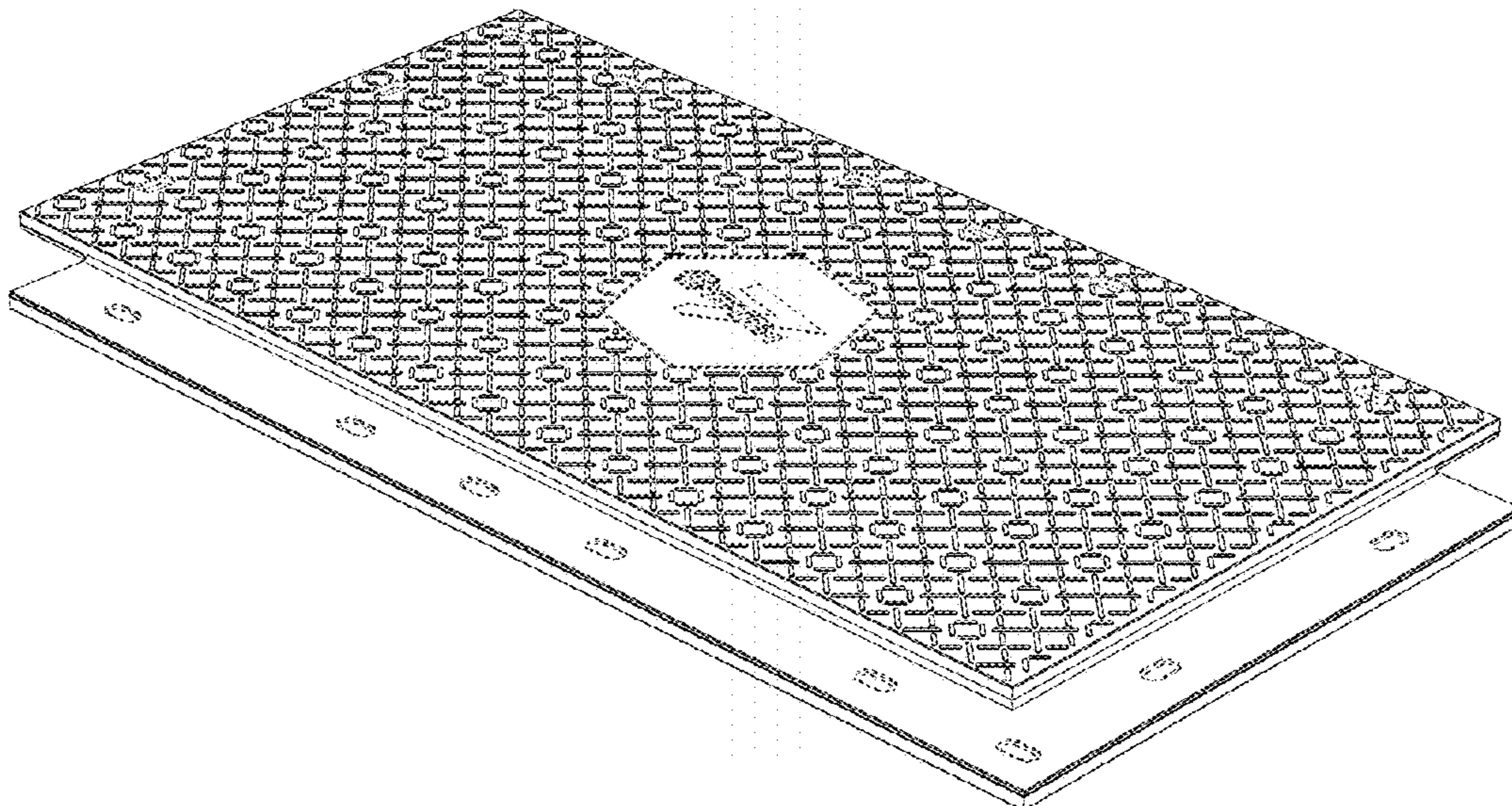
(57) **CLAIM**

We claim the ornamental design for a modular mat, as shown and described.

DESCRIPTION

FIG. 1 is a isometric view of a modular mat showing the new design;
FIG. 2 is a top view of a modular mat showing the new design;
FIG. 3 is a bottom view of a modular mat showing the new design;
FIG. 4 is a detailed plan view of a corner of the modular mat of FIG. 2 showing the new design;
FIG. 5 is a side view of a modular mat showing the new design; and,
FIG. 6 is a detailed side view of the modular mat of FIG. 5 showing the new design.
The broken lines shown in FIGS. 1-6 depict environment that forms no part of the claimed design.

1 Claim, 6 Drawing Sheets



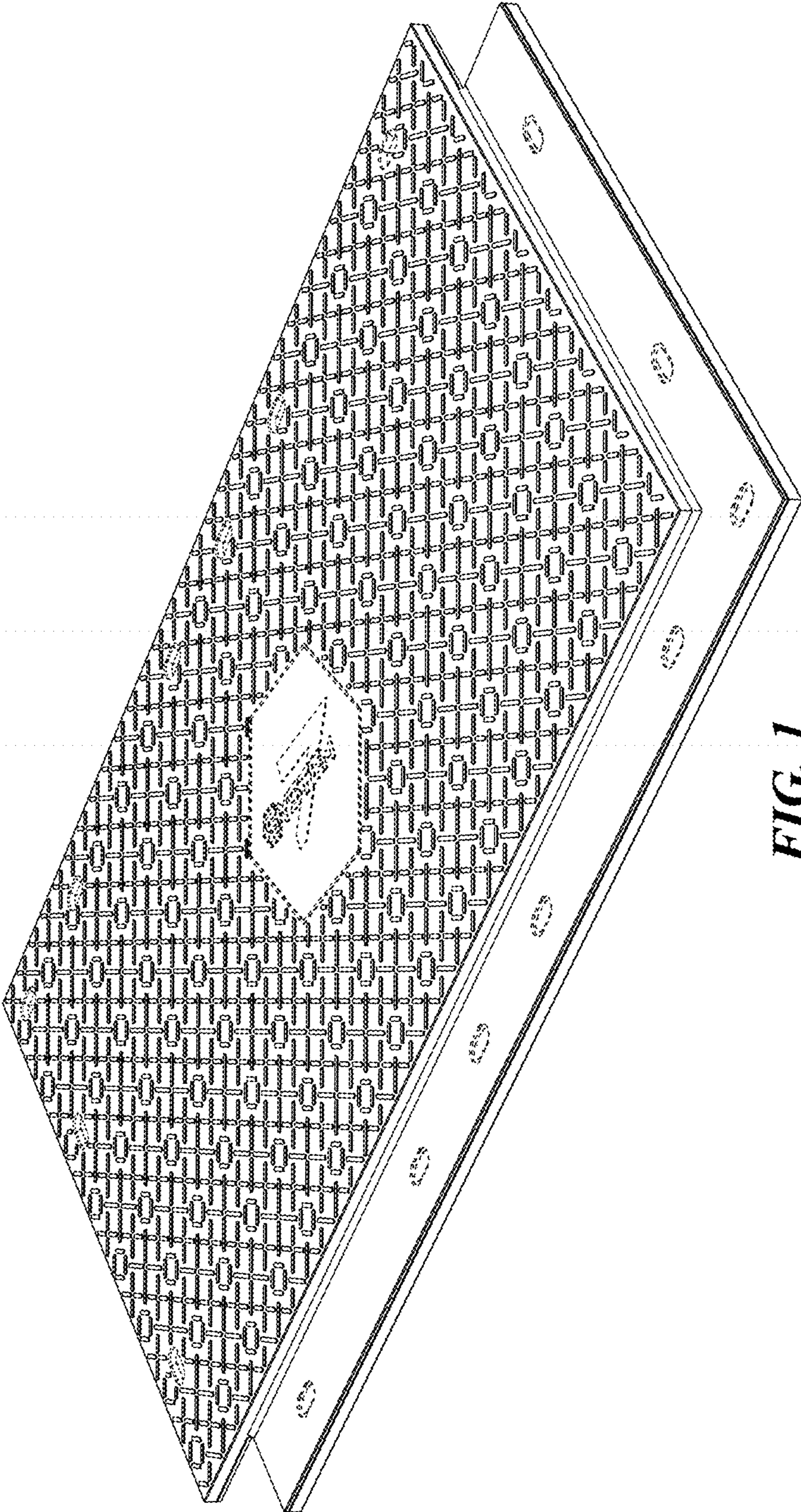
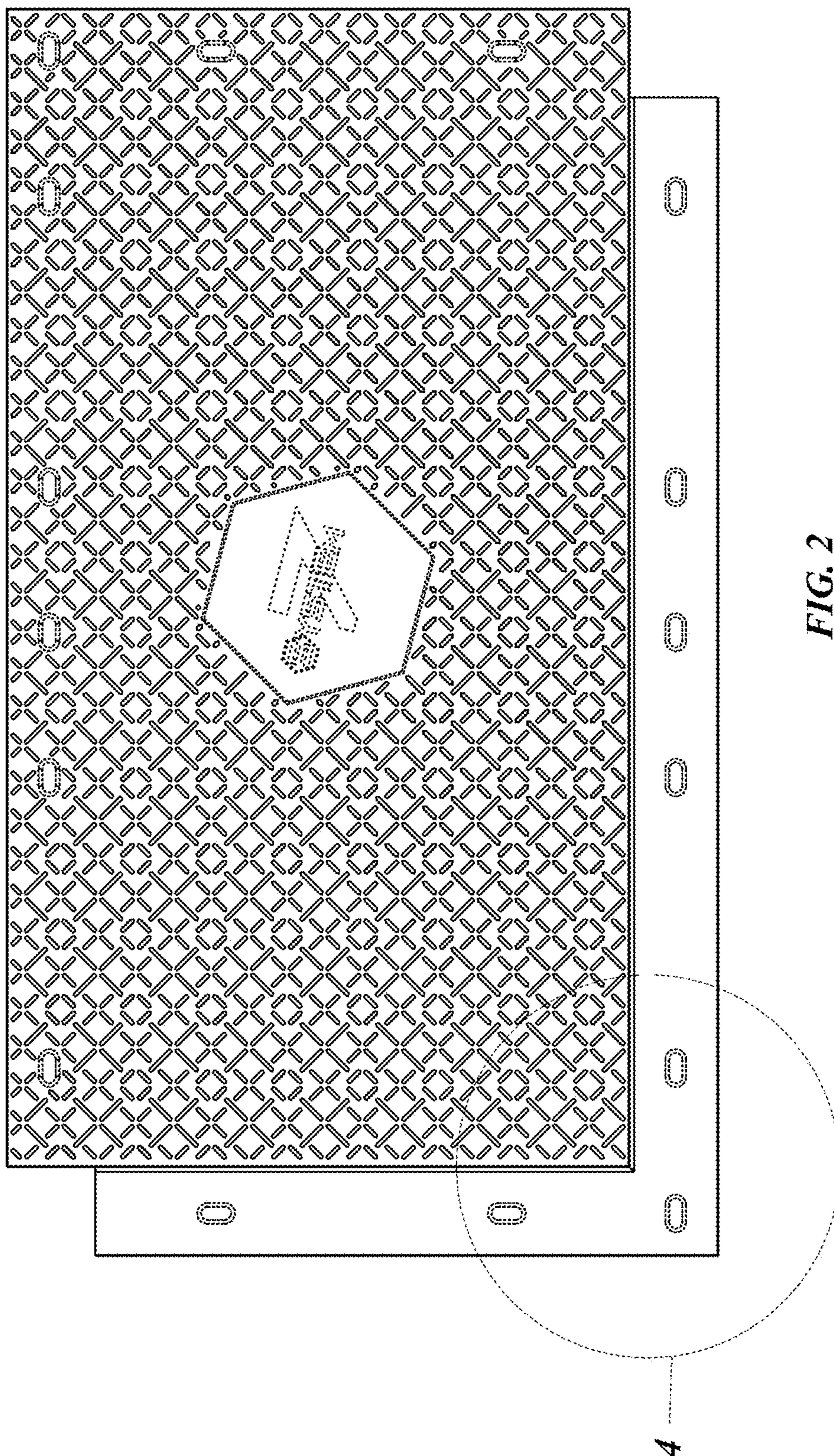


FIG. 1



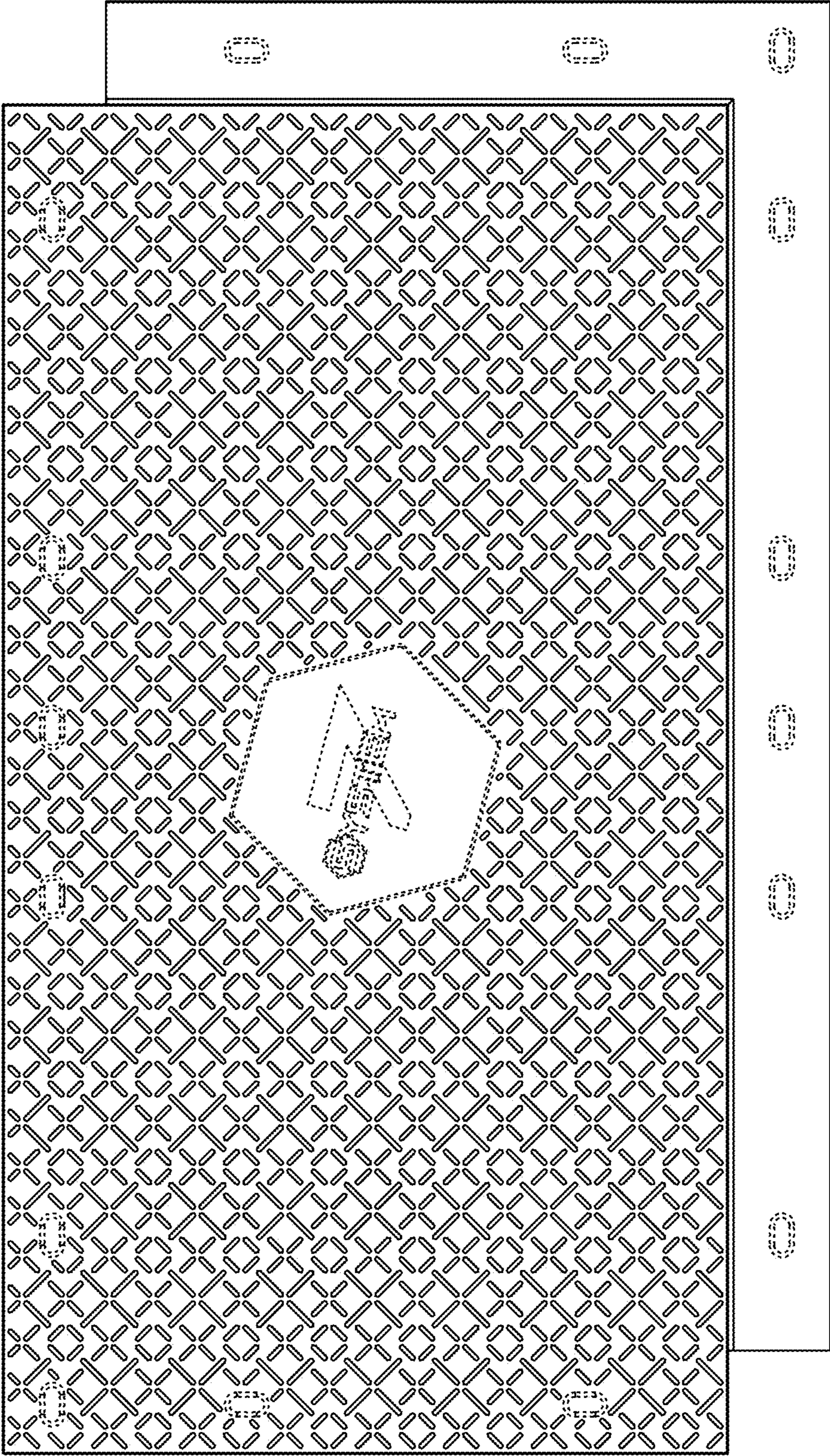


FIG. 3

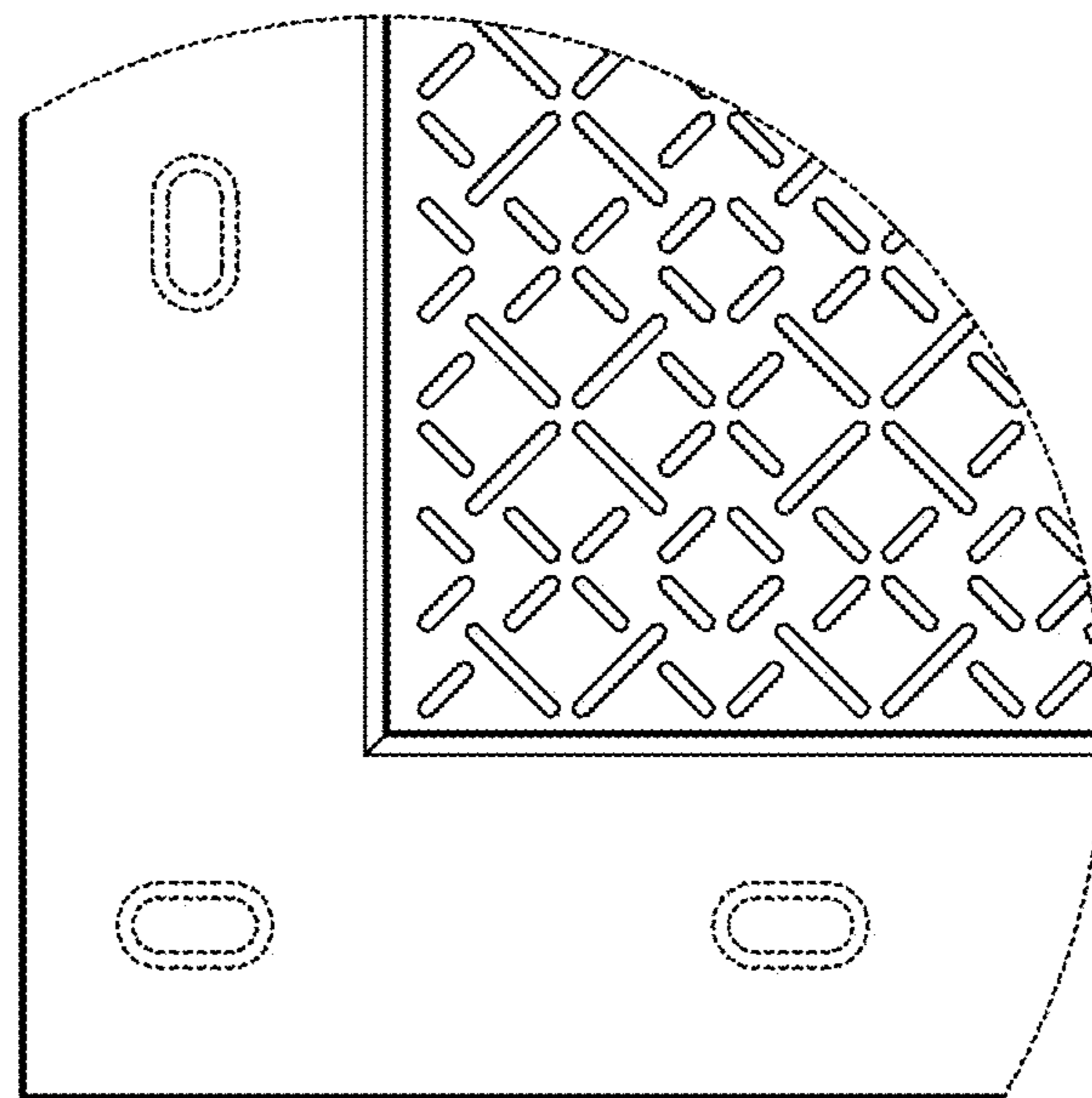


FIG. 4

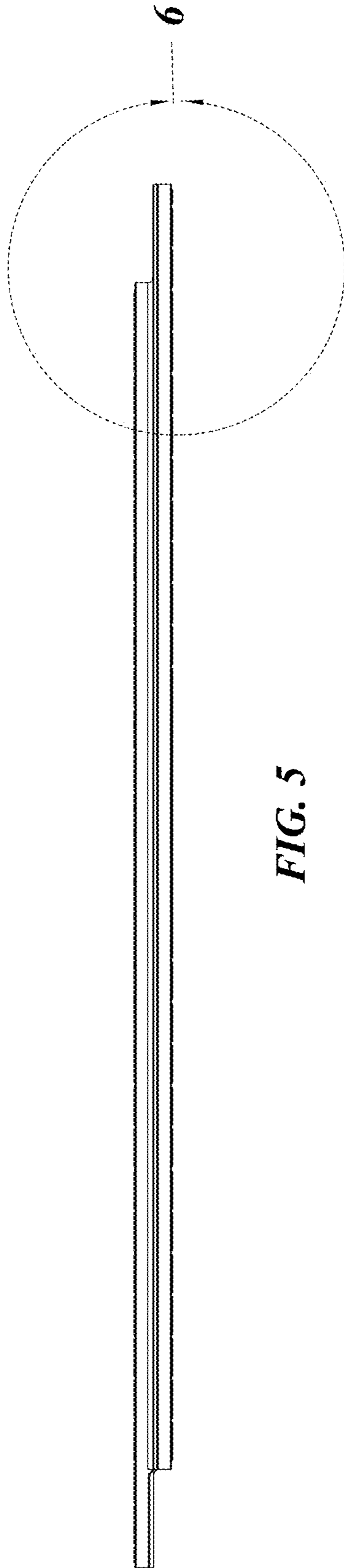


FIG. 5

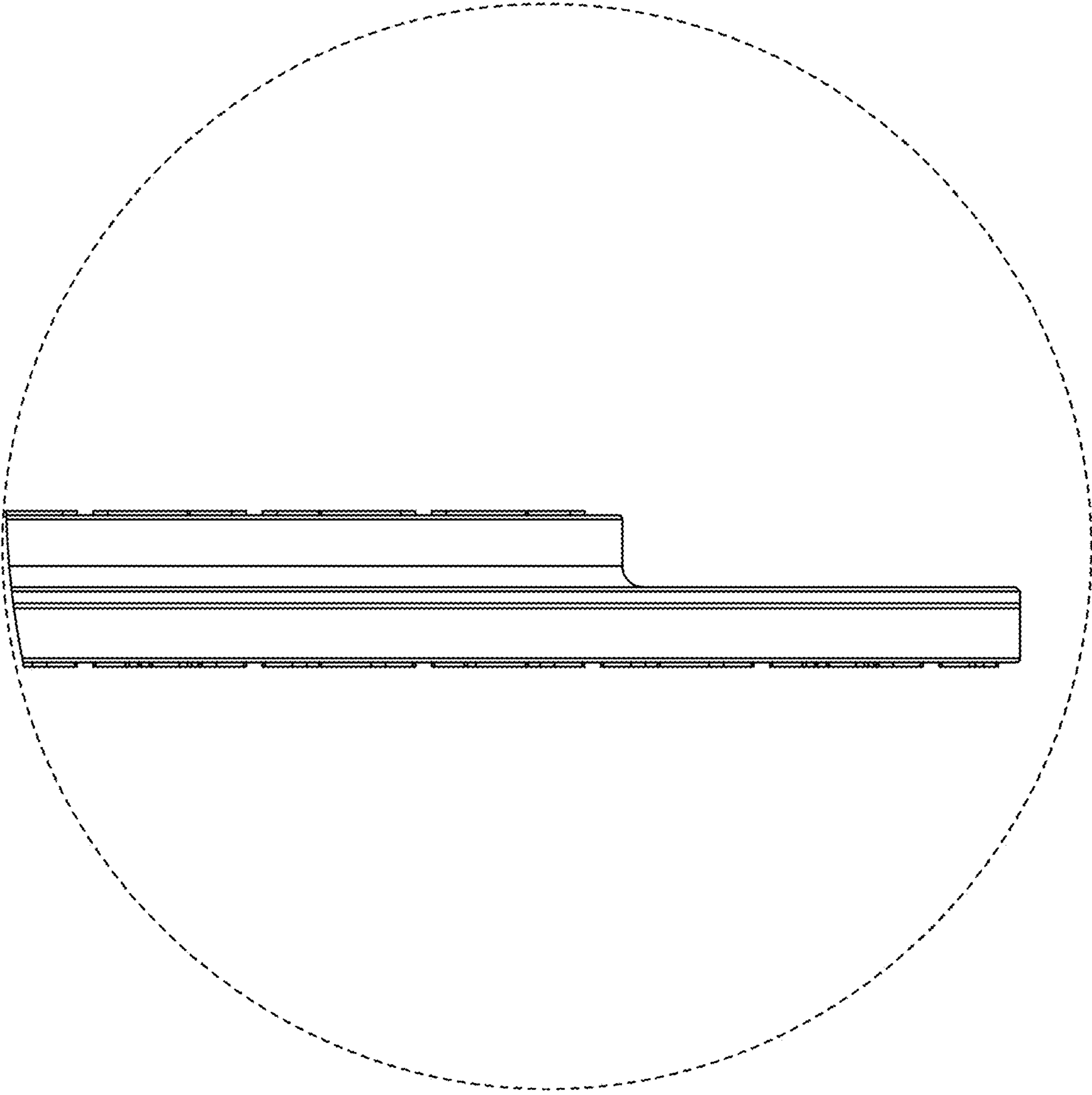


FIG. 6