



US00D946305S

(12) **United States Design Patent**
Thelin et al.

(10) **Patent No.:** **US D946,305 S**
(45) **Date of Patent:** **** Mar. 22, 2022**

- (54) **MODULAR MAT**
- (71) Applicant: **Spartan Mat LLC**, Gilbert, AZ (US)
- (72) Inventors: **Justin Thelin**, Gilbert, AZ (US); **Burt Skiba**, Mesa, AZ (US); **Aaron Allen**, Gilbert, AZ (US)
- (73) Assignee: **Spartan Mat LLC**, Gilbert, AZ (US)
- (**) Term: **15 Years**
- (21) Appl. No.: **29/723,189**
- (22) Filed: **Feb. 5, 2020**
- (51) **LOC (13) Cl.** **06-11**
- (52) **U.S. Cl.**
USPC **D6/582**
- (58) **Field of Classification Search**
USPC D6/331, 582-588, 592, 596; D12/203; D24/212; D32/57
CPC A47G 27/0206; A47G 27/0212; A47G 27/0218; A47G 27/0225; A47G 27/0237; A47G 9/062; A47K 3/002; A47K 7/026; A47L 23/26; A47L 23/266; A63B 21/4037; A63B 6/00; A63B 23/0464
See application file for complete search history.

6,946,184	B2 *	9/2005	Robbins, III	B32B 3/06 428/120
7,634,876	B2 *	12/2009	Moller, Jr.	E04F 15/02 404/35
7,810,789	B1 *	10/2010	Clark	A47G 27/0206 254/131
D745,760	S *	12/2015	White	D32/40
D751,784	S *	3/2016	Robbins, III	A47L 13/16 D32/55
D847,746	S *	5/2019	Miller	D13/119
D858,040	S *	9/2019	Reynolds	D2/828
D929,128	S *	8/2021	Roche	G09F 3/00 D3/304
11,103,117	B2 *	8/2021	Gorrell	G09F 3/00
2005/0106361	A1 *	5/2005	Clark	A47G 27/0206 428/192
2014/0069337	A1 *	3/2014	Dunford	A01K 1/0353 119/28.5

* cited by examiner

Primary Examiner — Kevin K Rudzinski
Assistant Examiner — Clare Ann Gannon

(57) **CLAIM**

We claim the ornamental design for a modular mat, as shown and described.

(56) **References Cited**

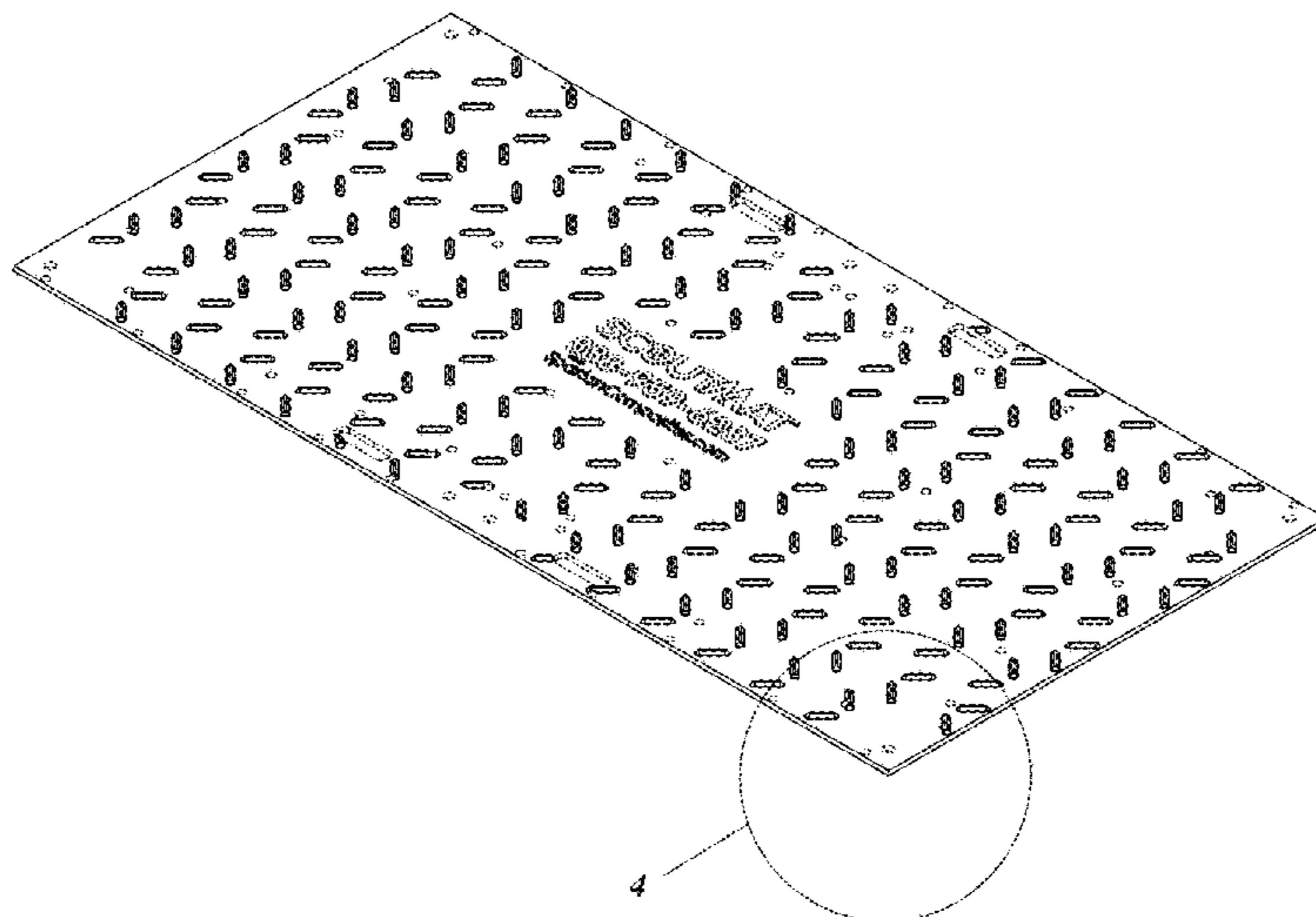
U.S. PATENT DOCUMENTS

D95,158	S *	4/1935	Surerus	D25/158
2,834,809	A *	5/1958	Schutte	B31F 1/07 162/117
4,137,356	A *	1/1979	Shoemaker	A47G 23/0303 248/346.11
4,142,334	A *	3/1979	Kirsch	A47L 13/16 451/539
4,787,556	A *	11/1988	Heisson	B60B 39/12 152/208
5,170,526	A *	12/1992	Murray	A47L 23/266 15/215
D441,093	S *	4/2001	Johnson	A47G 23/0303 D25/163
D474,563	S *	5/2003	Bresciani	D25/109

DESCRIPTION

FIG. 1 is a isometric view of a modular mat showing our new design;
FIG. 2 is a top view of a modular mat showing our new design;
FIG. 3 is a side view of a modular mat showing our new design;
FIG. 4 is a close-up view of region 4 of FIG. 1 of the modular mat showing our new design; and,
FIG. 5 is a bottom view of a modular mat showing our new design.
The broken lines shown in FIGS. 1-5 depict environment that forms no part of the claimed design.

1 Claim, 5 Drawing Sheets



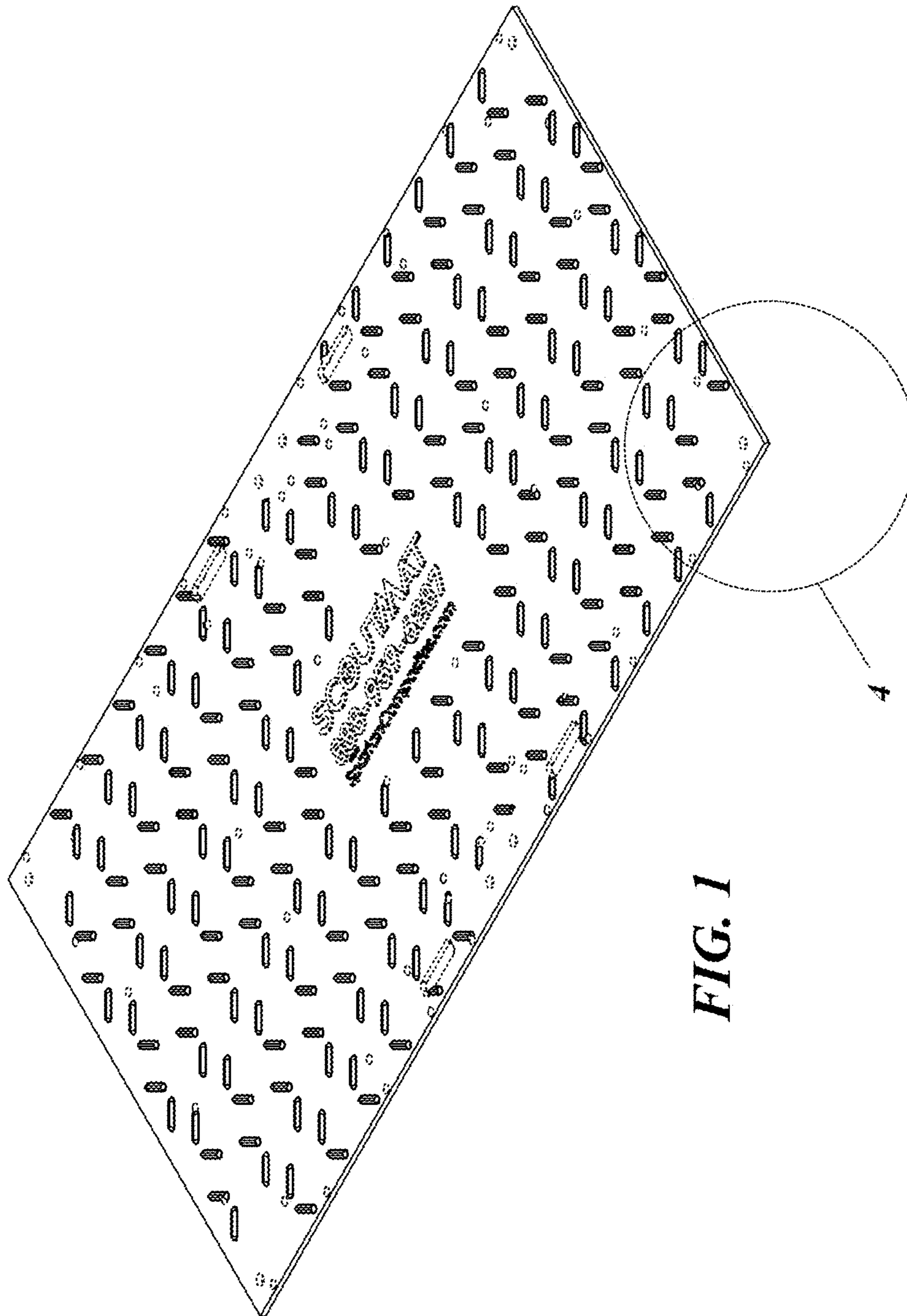


FIG. 1

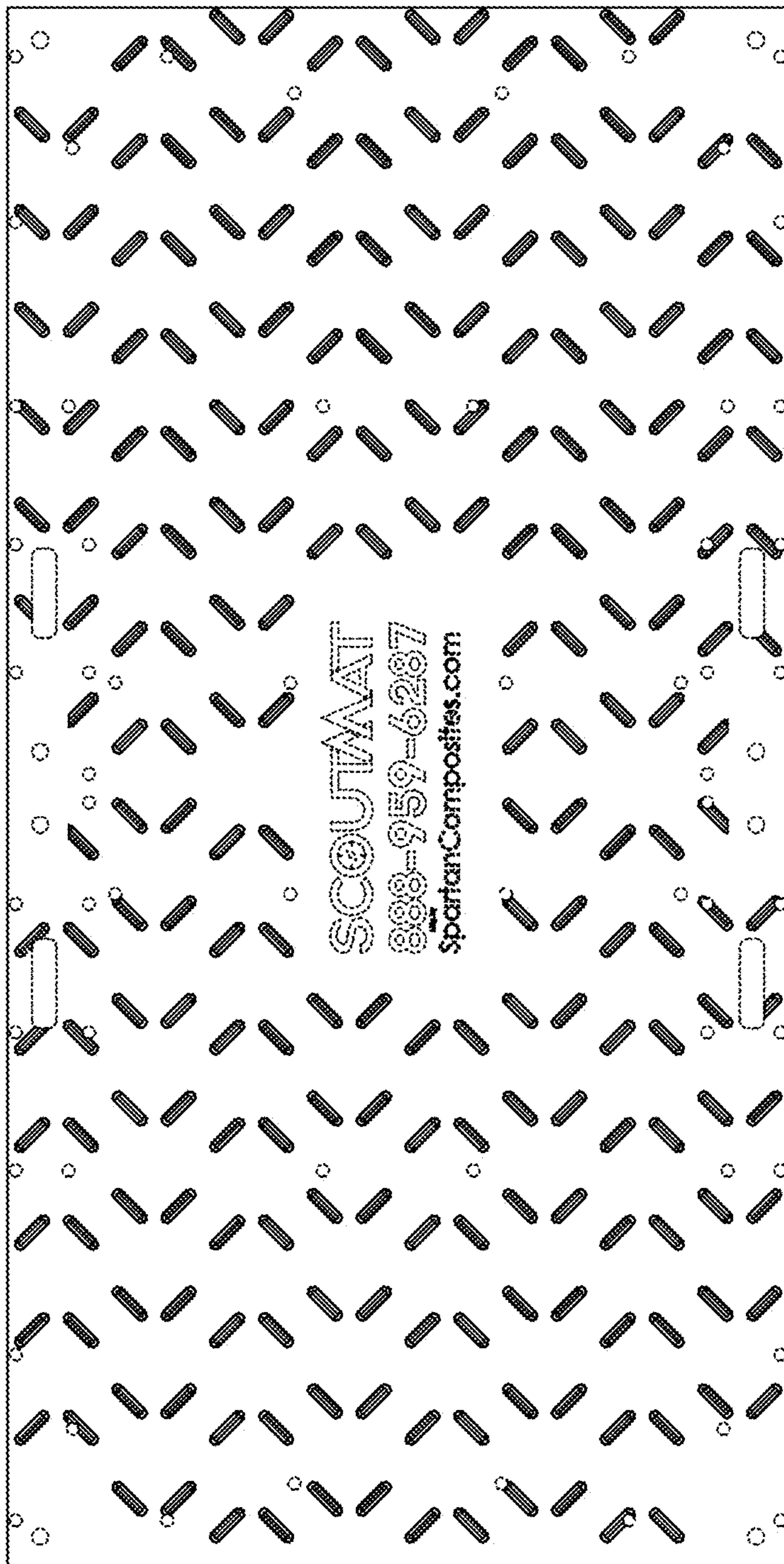


FIG. 2



FIG. 3

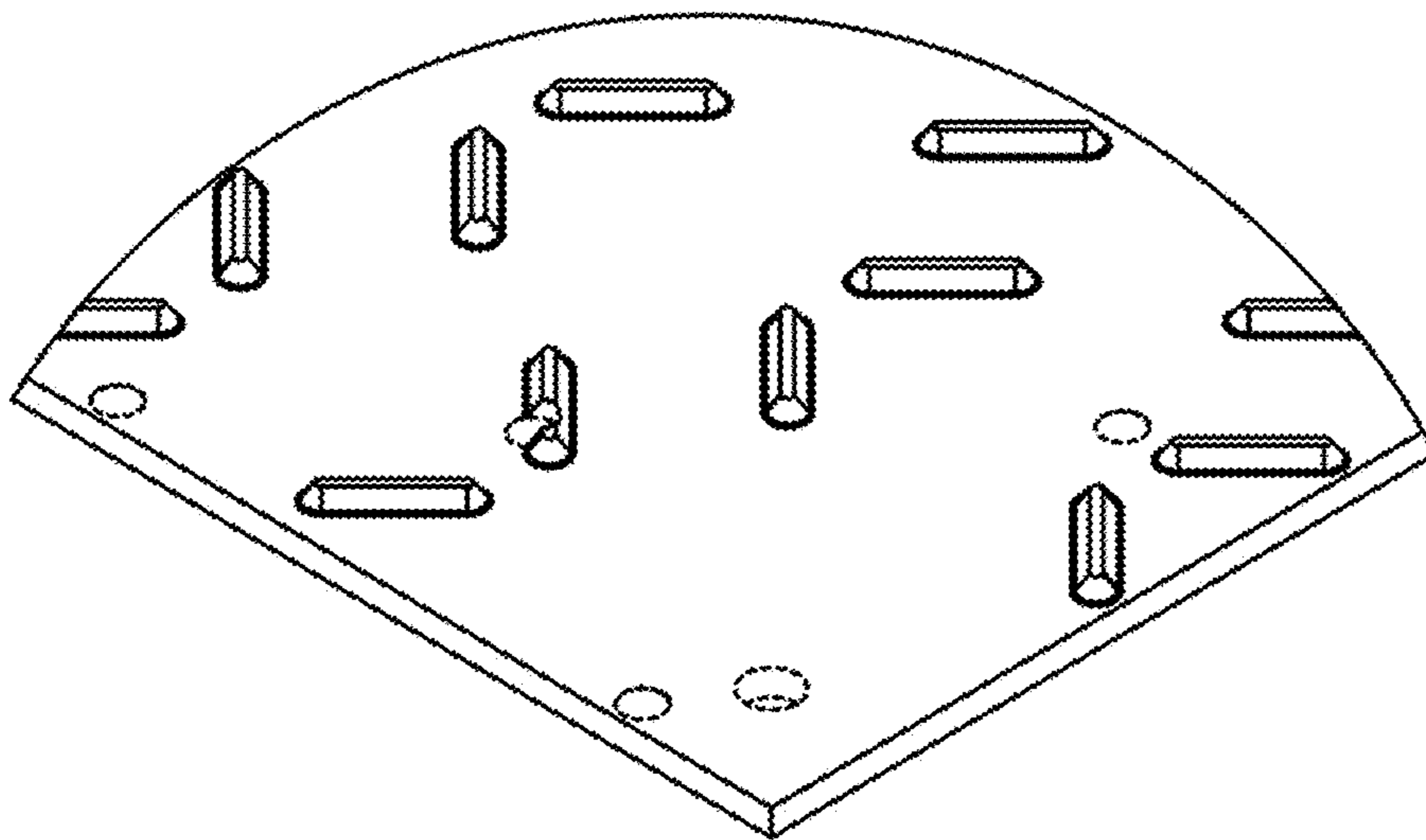


FIG. 4

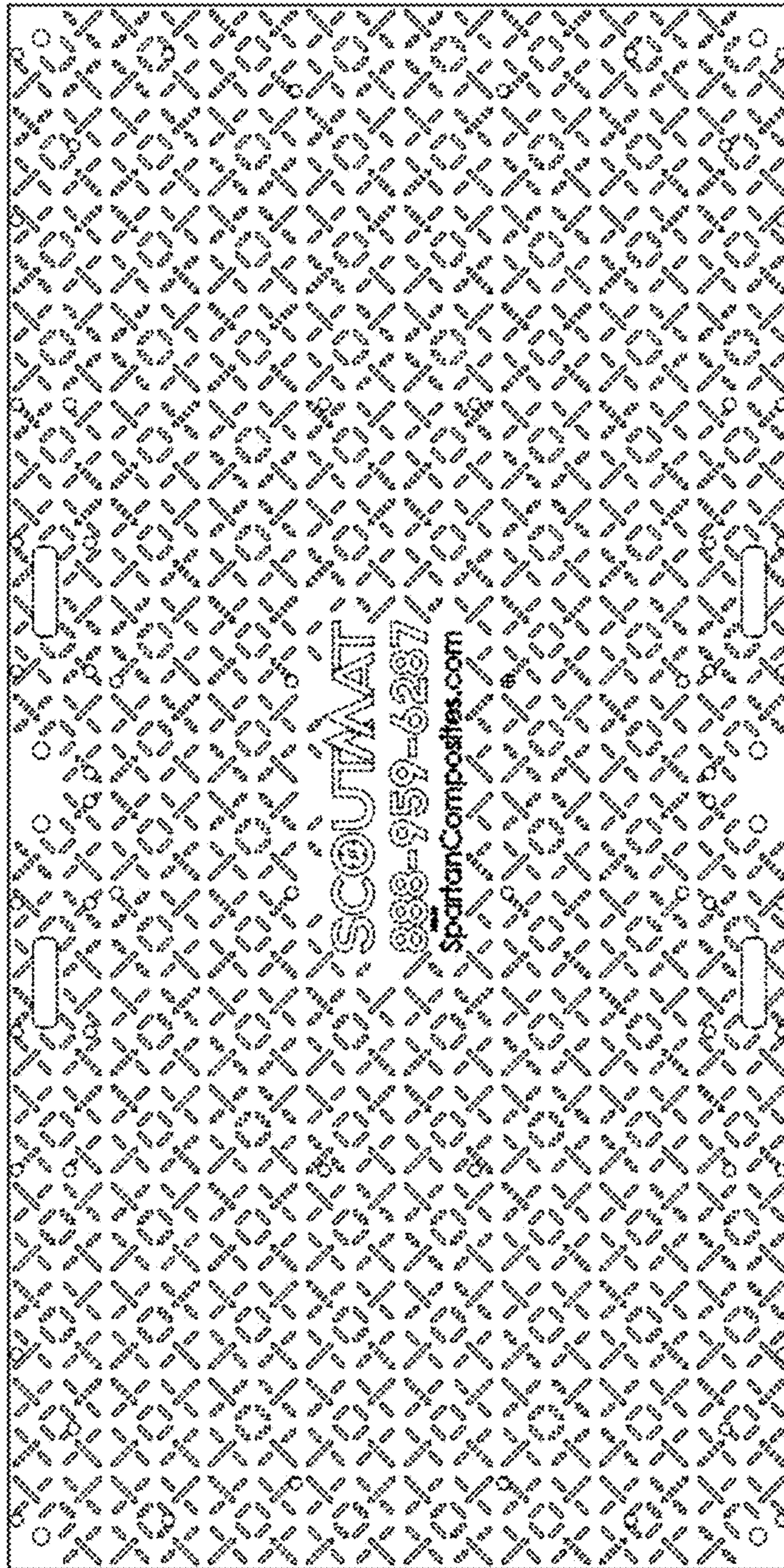


FIG. 5