



US00D946303S

(12) **United States Design Patent**
Sullins

(10) **Patent No.:** **US D946,303 S**
(45) **Date of Patent:** **** Mar. 22, 2022**

(54) **LAP DESKS WITH DEVICE SLOT**

(71) Applicant: **Patrick Hogan Sullins**, Arlington, TX (US)

(72) Inventor: **Patrick Hogan Sullins**, Arlington, TX (US)

(73) Assignee: **Creative Manufacturing, LLC**, Arlington, TX (US)

(**) Term: **15 Years**

(21) Appl. No.: **29/760,567**

(22) Filed: **Dec. 2, 2020**

Related U.S. Application Data

(63) Continuation-in-part of application No. 29/704,103, filed on Sep. 1, 2019, now Pat. No. Des. 906,719.

(51) **LOC (13) Cl.** **06-06**

(52) **U.S. Cl.**
USPC **D6/406.5**

(58) **Field of Classification Search**
USPC D6/406.1, 406.3, 406.5, 406.6, 512,
D6/685-686, 691, 704, 705; D14/439,
D14/447

(Continued)

(56) **References Cited**

U.S. PATENT DOCUMENTS

5,425,455 A * 6/1995 Miller A47G 23/0608
206/562
5,862,933 A * 1/1999 Neville A47B 23/002
220/17.1

(Continued)

Primary Examiner — Kelley A Donnelly

(74) *Attorney, Agent, or Firm* — Guy V. Manning

(57) **CLAIM**

The ornamental design for lap desks with device slot, as shown and described.

DESCRIPTION

FIG. 1 is a left, elevated, front quartering perspective view of a first embodiment of a new design for lap desks with device slot;

FIG. 2 is a bottom plan view of the embodiment of FIG. 1;

FIG. 3 is a top plan view of the embodiment of FIG. 1;

FIG. 4 is a front elevational view of the embodiment of FIG. 1;

FIG. 5 is a rear elevational view of the embodiment of FIG. 1;

FIG. 6 is a right side elevational view of the embodiment of FIG. 1;

FIG. 7 is a left side elevational view of the embodiment of FIG. 1; and

FIG. 8 is a front, elevational section, as indicated in FIG. 3, showing the interior shape of the device slot in the top surface of the embodiment of FIG. 1.

FIG. 9 is a left, elevated, front quartering perspective view of a second embodiment of a new design for a lap desks with device slot;

FIG. 10 is a bottom plan view of the embodiment of FIG. 9;

FIG. 11 is a top plan view of the embodiment of FIG. 9;

FIG. 12 is a front elevational view of the embodiment of FIG. 9;

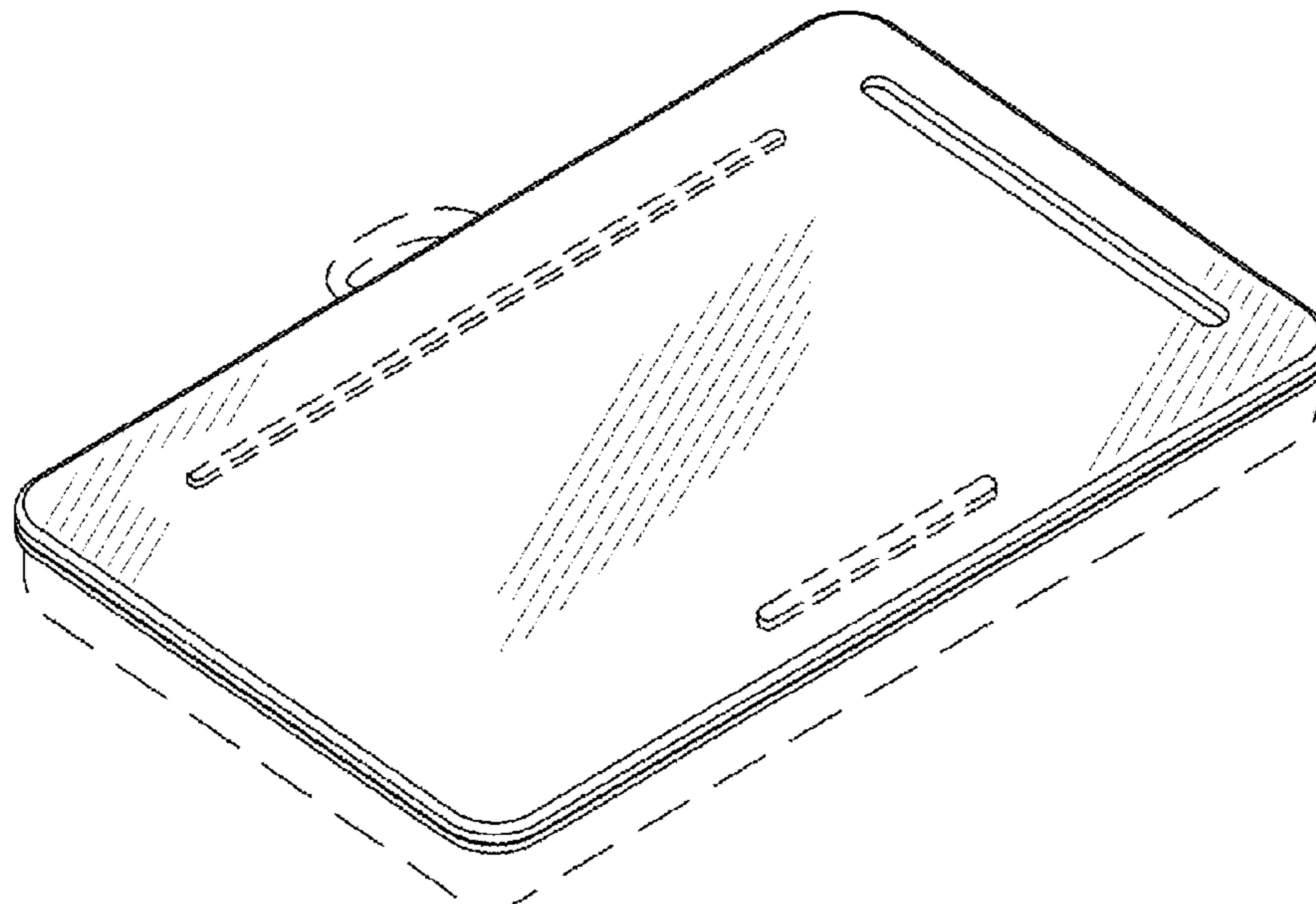
FIG. 13 is a rear elevational view of the embodiment of FIG. 9;

FIG. 14 is a right side elevational view of the embodiment of FIG. 9;

FIG. 15 is a left side elevational view of the embodiment of FIG. 9; and,

FIG. 16 is a front, elevational section, as indicated in FIG. 11, showing the interior shape of the device slot in the top surface of the embodiment of FIG. 9.

1 Claim, 8 Drawing Sheets



(58) **Field of Classification Search**

CPC A47G 23/06; A47G 23/0608; A47B 23/00;
A47B 23/002; A47B 23/04

See application file for complete search history.

(56) **References Cited**

U.S. PATENT DOCUMENTS

6,036,158 A * 3/2000 Raasch B60N 3/005
108/44
6,305,532 B1 * 10/2001 Overkamp A47B 13/16
206/217
D499,575 S * 12/2004 Chan D6/406.3
D856,701 S * 8/2019 Flanagan D6/406.3
D887,166 S * 6/2020 Ren D6/406.5
D906,719 S * 1/2021 Sullins D6/406.5
D912,432 S * 3/2021 Sullins D6/406.3
D913,720 S * 3/2021 Zhang D6/406.6
D914,393 S * 3/2021 Xie D6/406.6
2006/0237026 A1 * 10/2006 Simester A24C 5/44
131/329
2008/0041282 A1 * 2/2008 Goschy A61G 5/1094
108/141
2009/0020450 A1 * 1/2009 Heneghan B60N 3/002
206/567
2013/0298926 A1 * 11/2013 Smeragliuolo A45D 29/20
132/75
2015/0108123 A1 * 4/2015 Linehan A47B 23/002
220/17.1

* cited by examiner

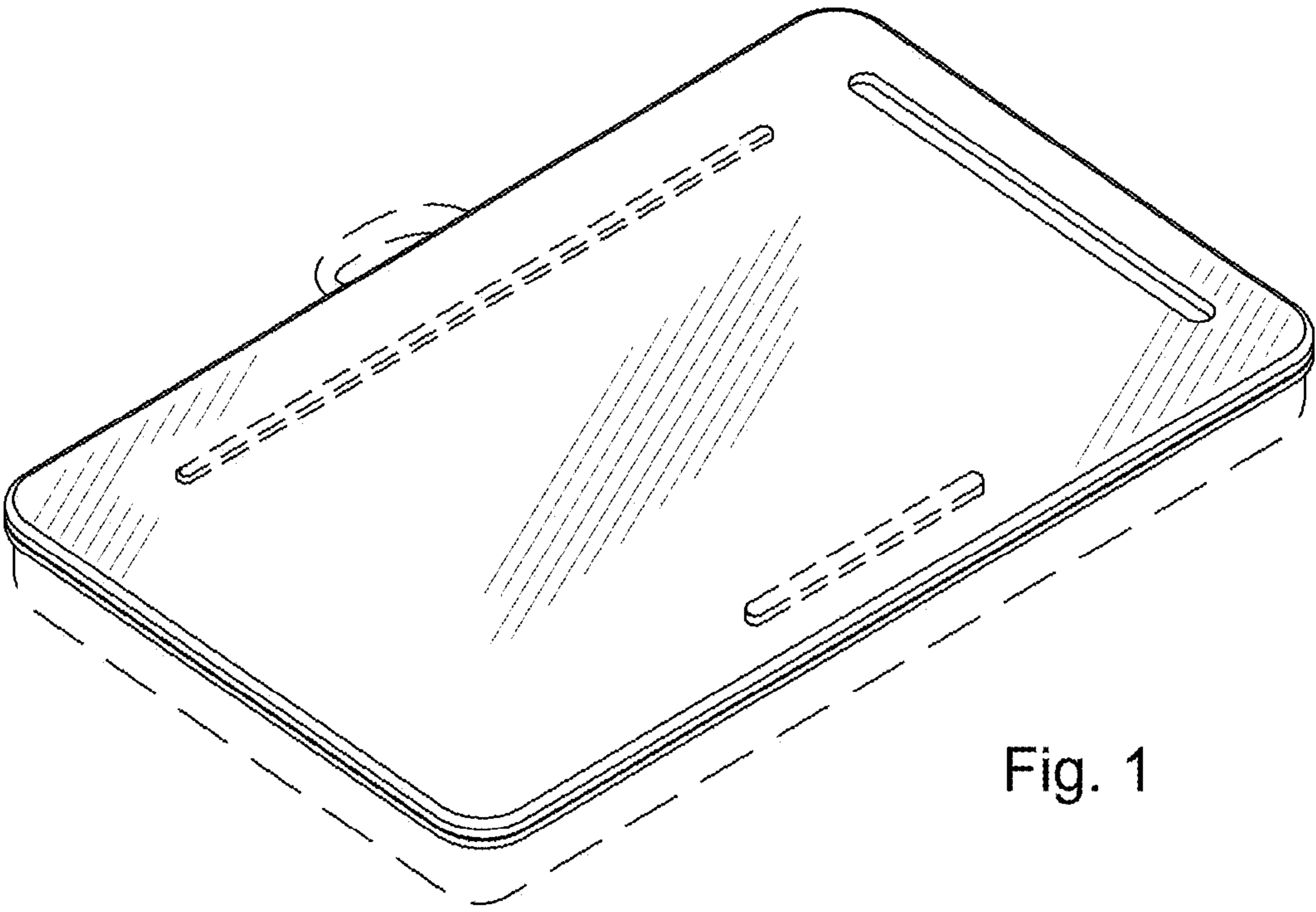


Fig. 1

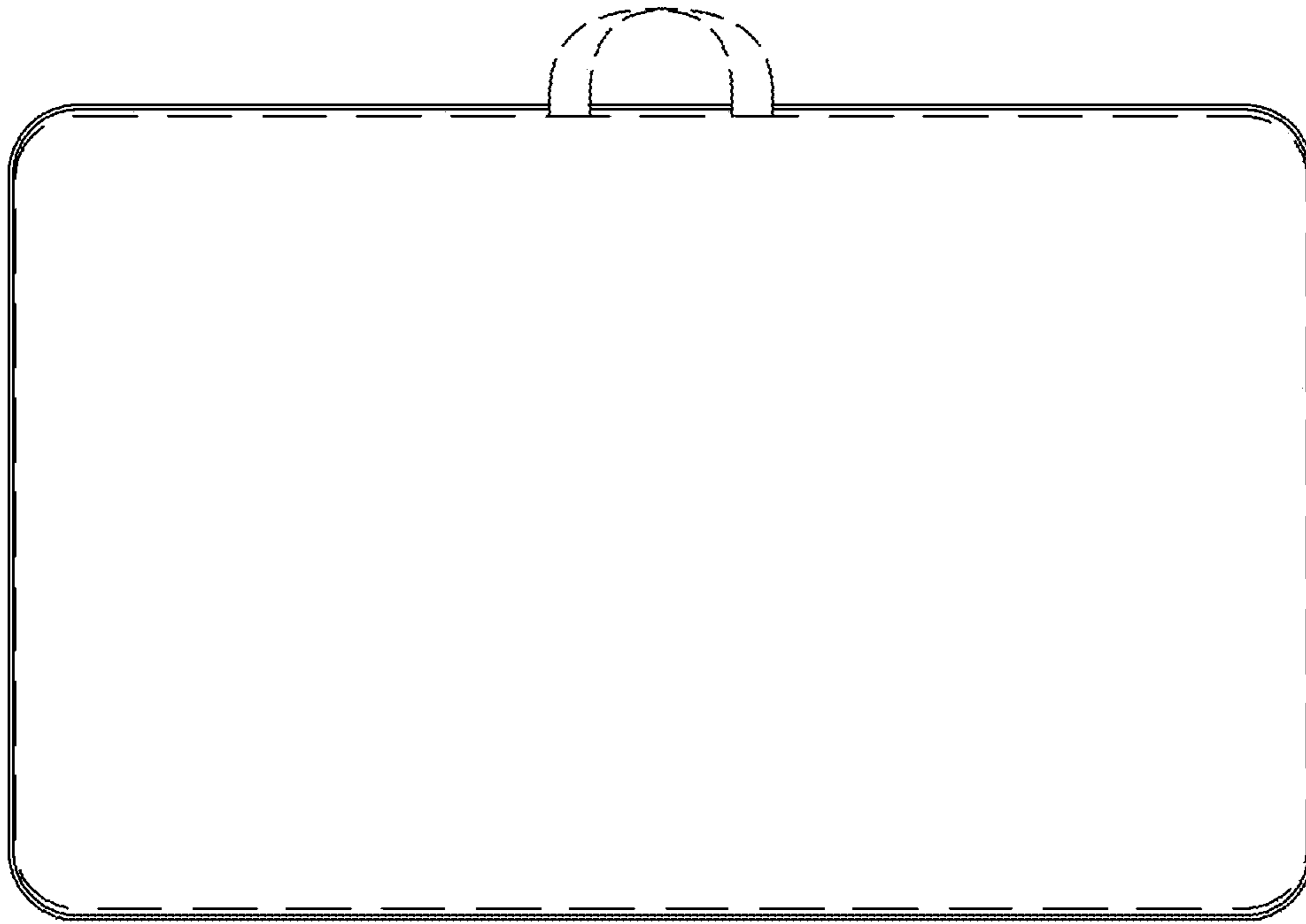


Fig. 2

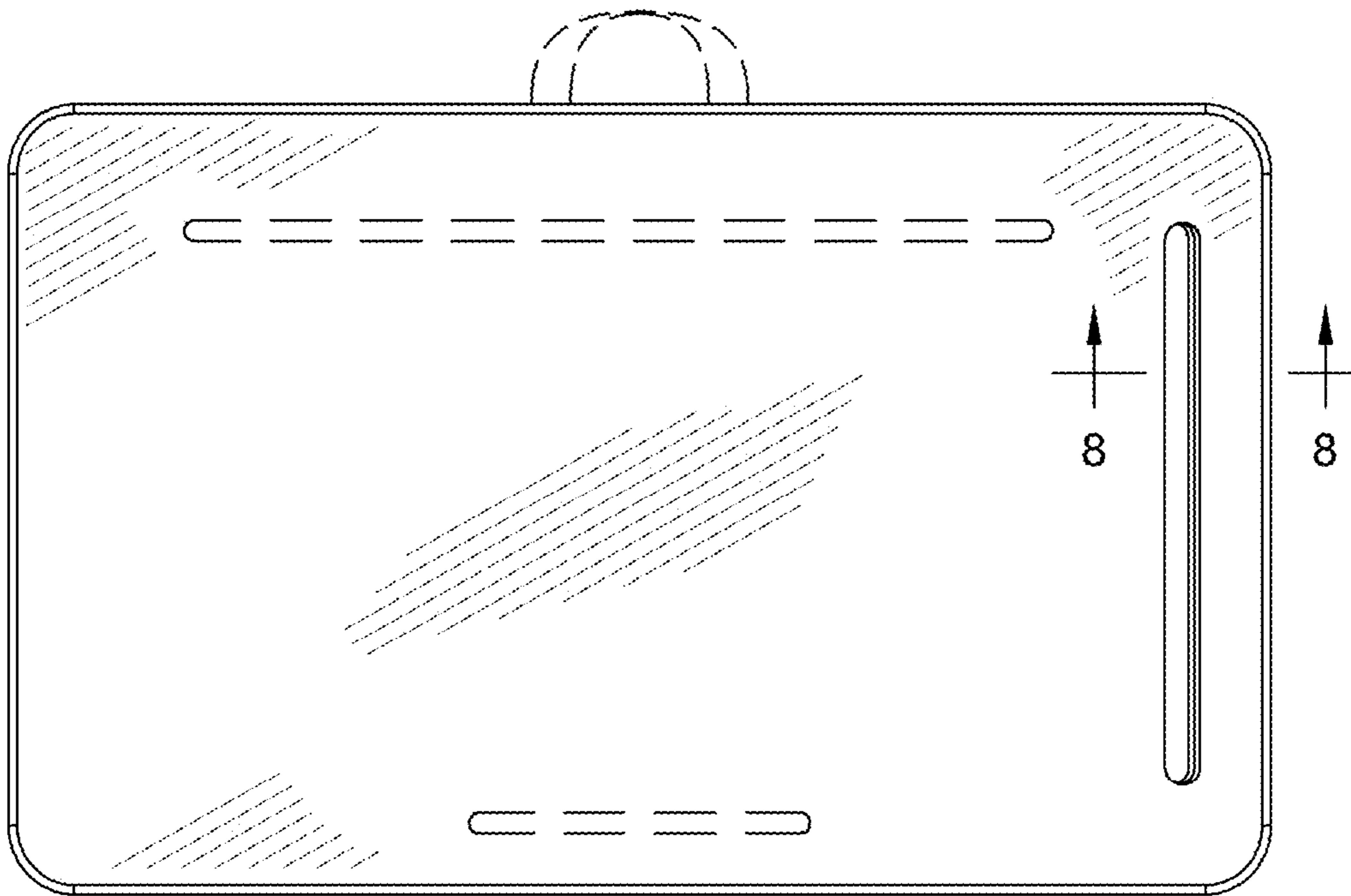


Fig. 3

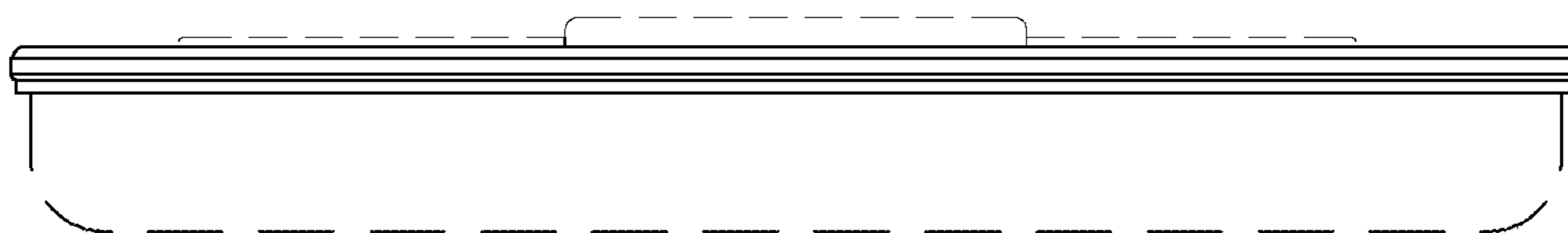


Fig. 4

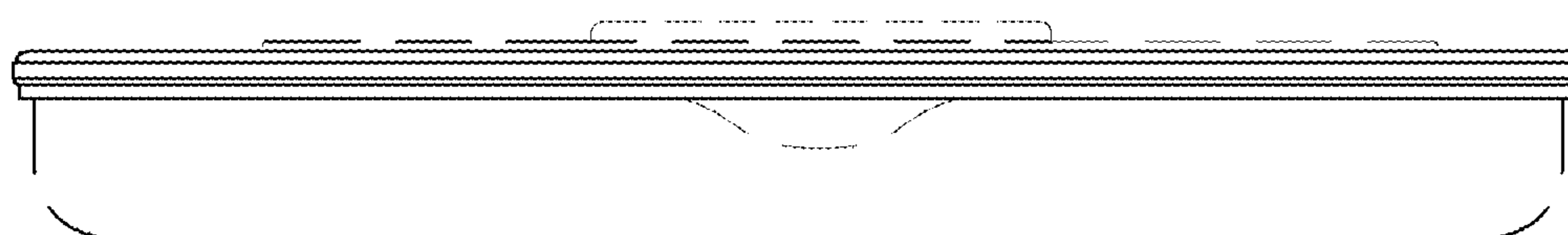


Fig. 5

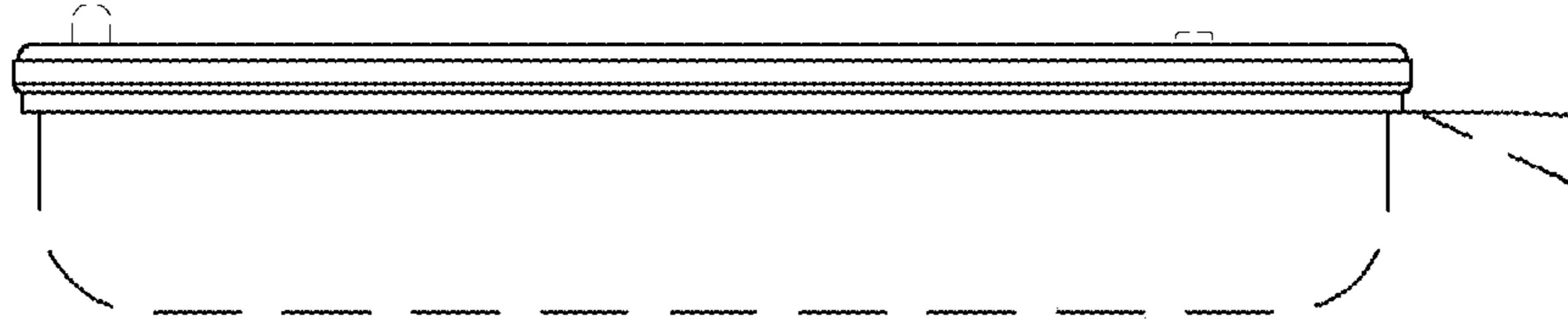


Fig. 6

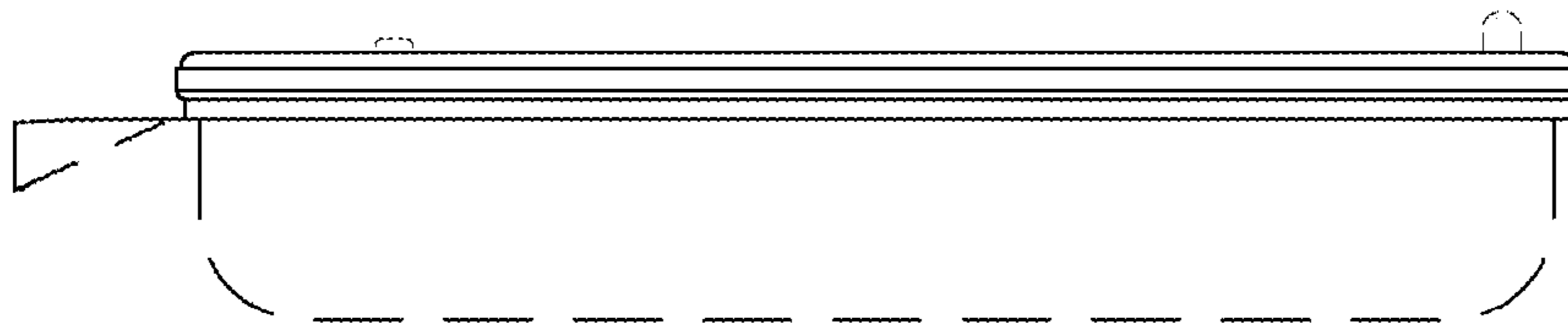
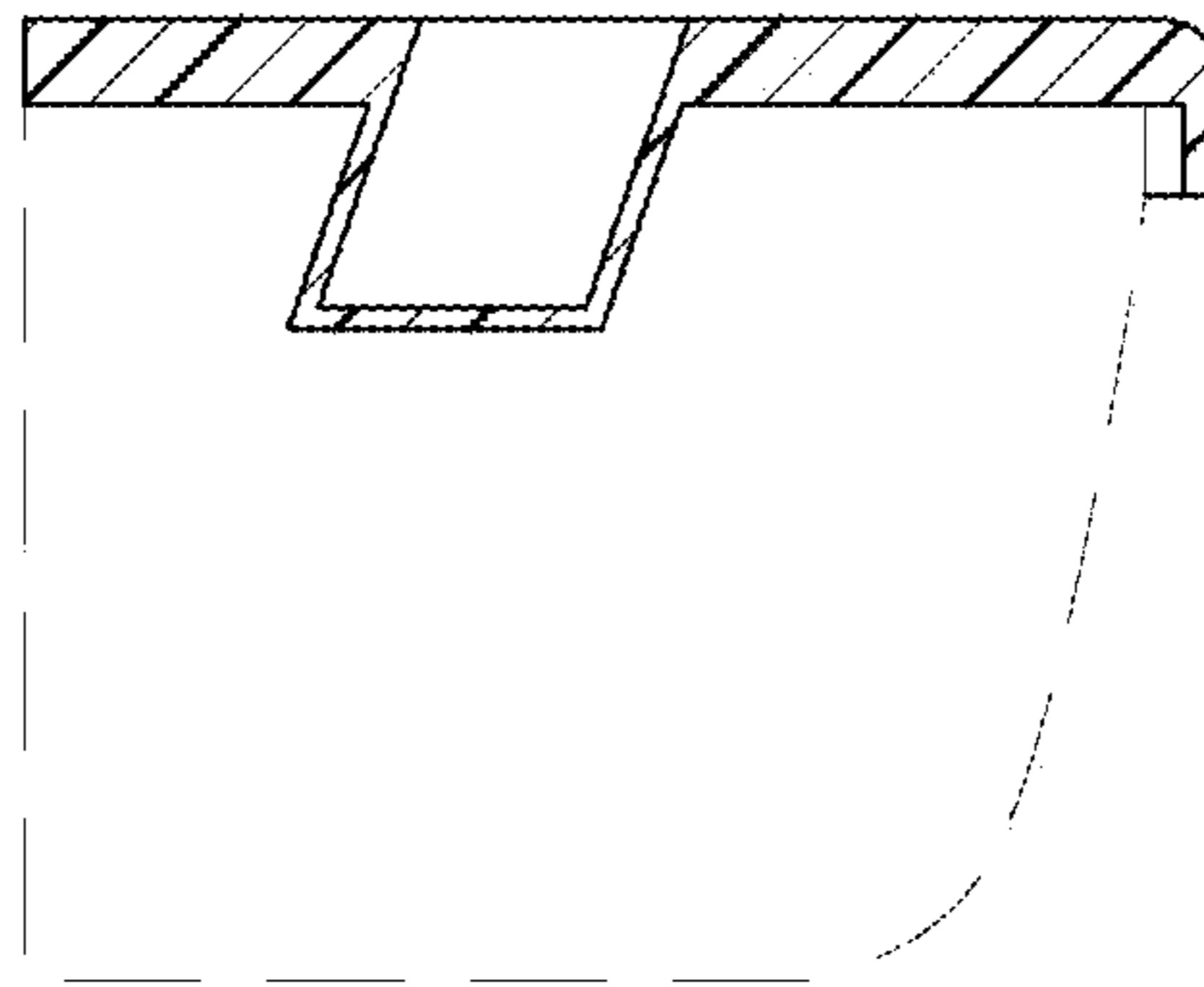


Fig. 7

Fig. 8



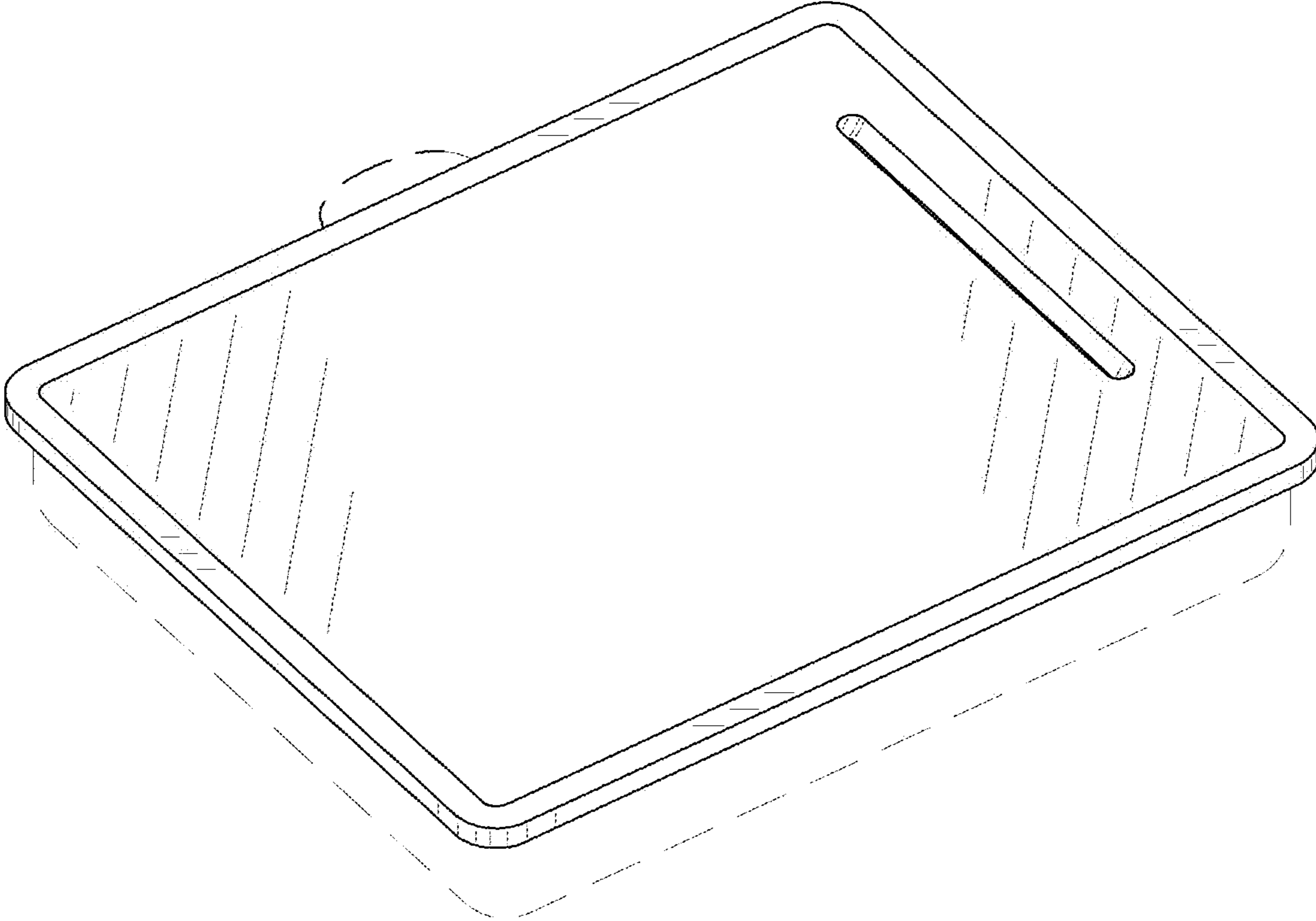


Fig. 9

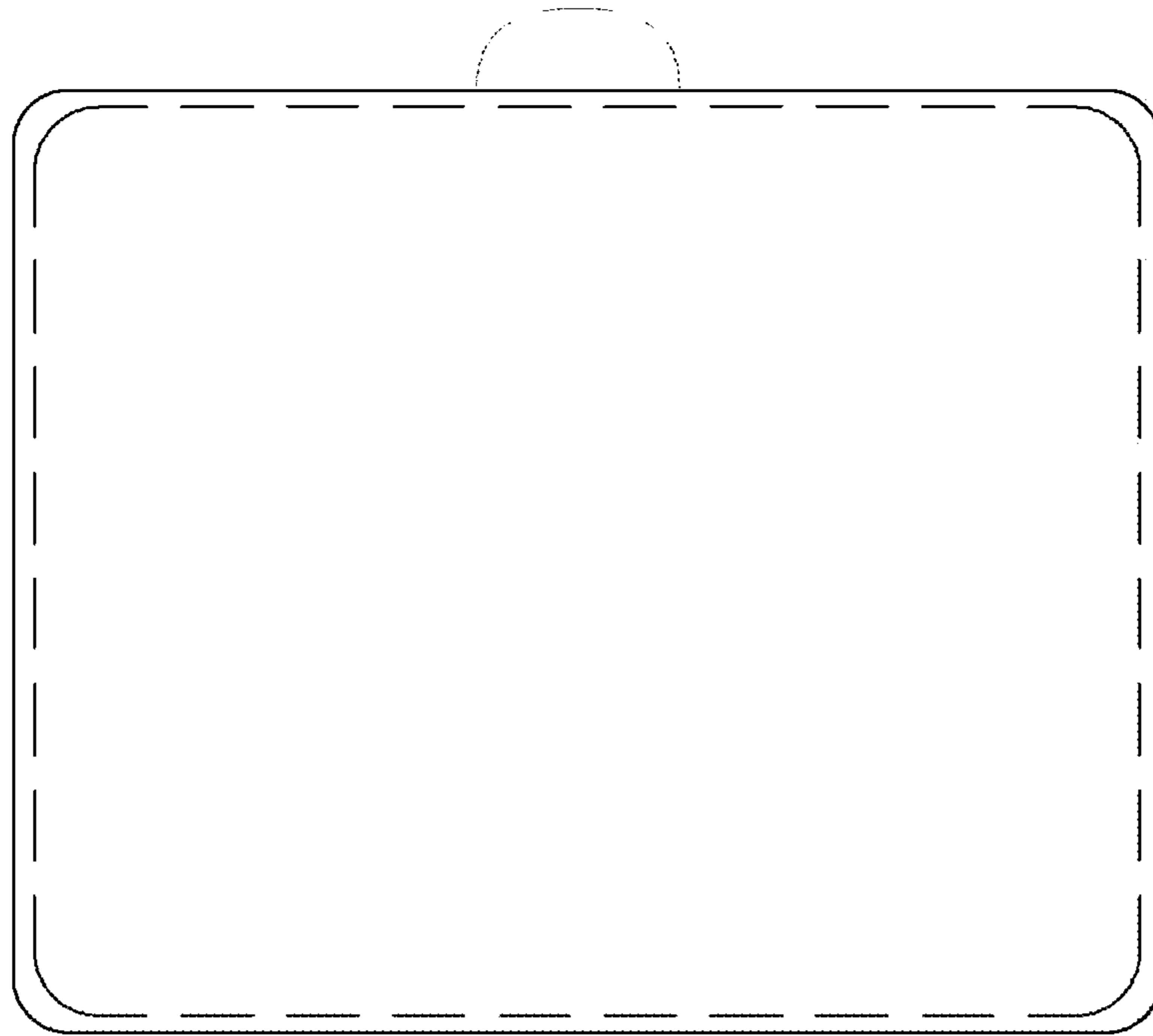


Fig. 10

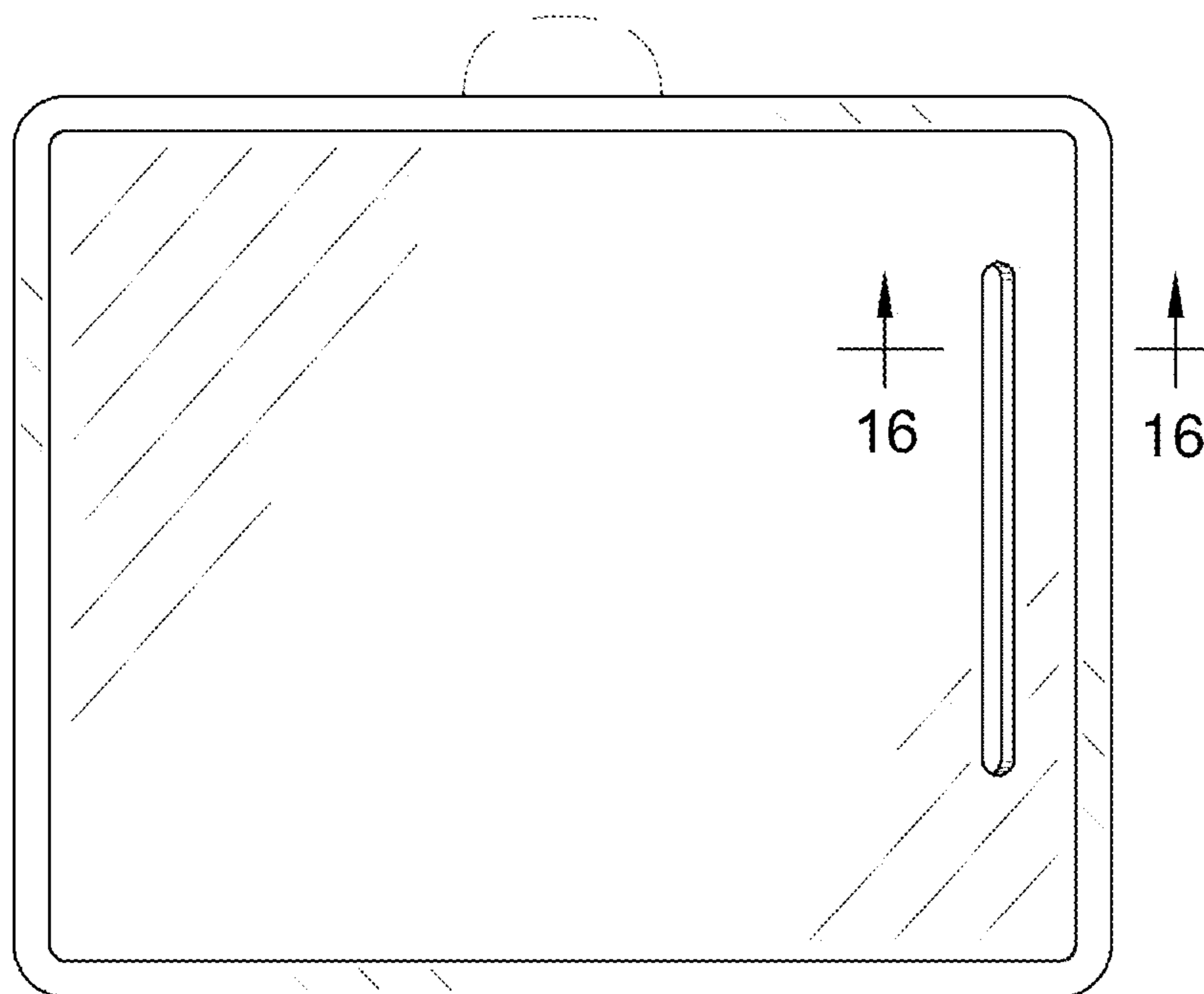


Fig. 11

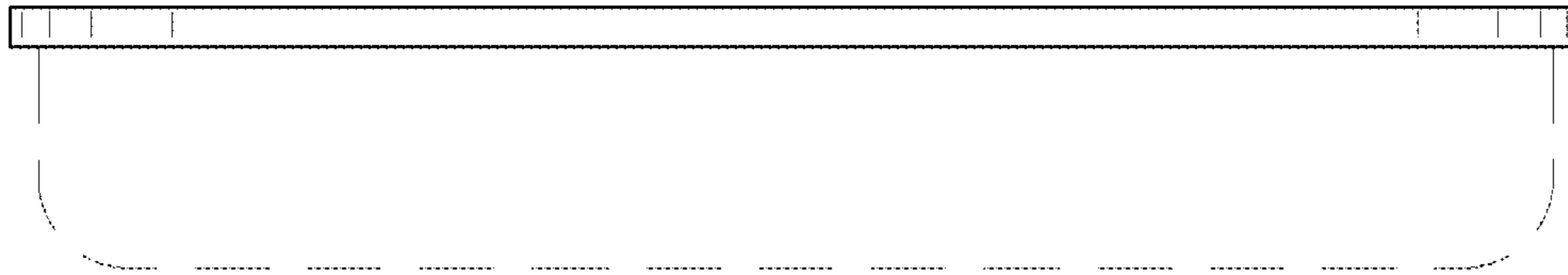


Fig. 12

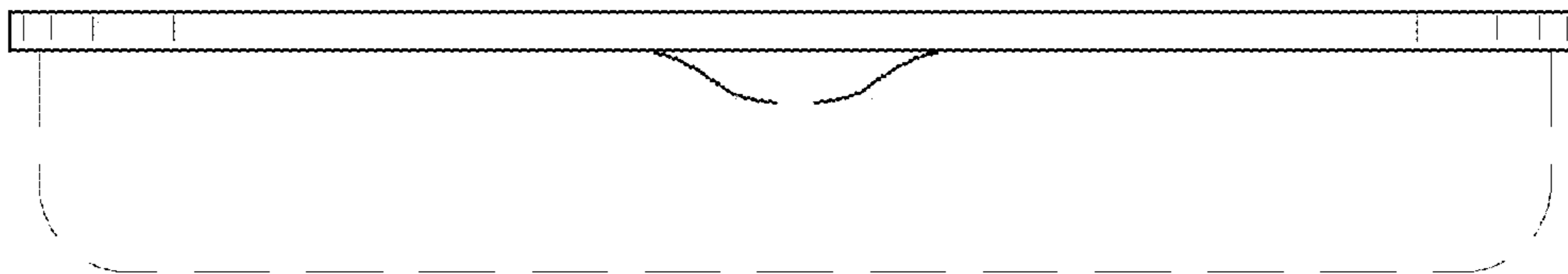


Fig. 13

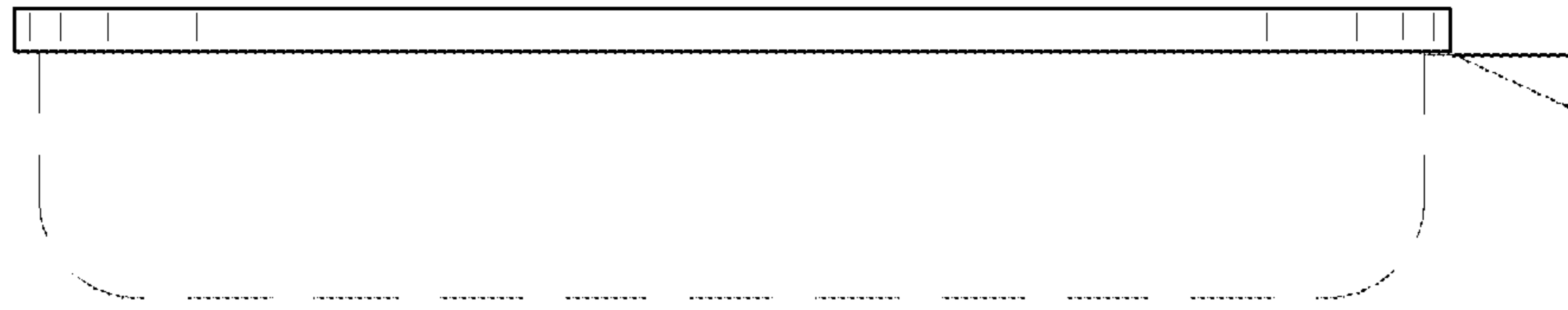


Fig. 14

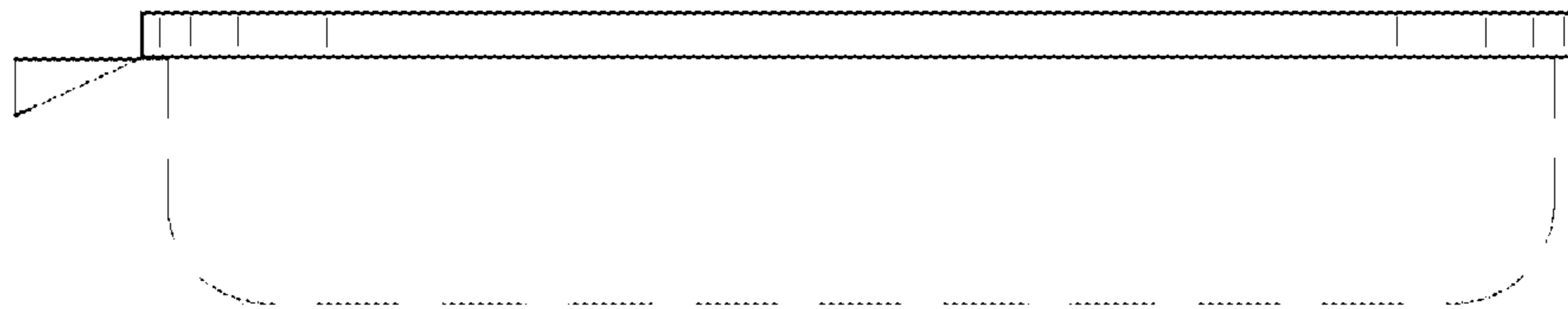


Fig. 15

Fig. 16

