

US00D946300S

(12) **United States Design Patent**
Li

(10) **Patent No.:** **US D946,300 S**

(45) **Date of Patent:** **** Mar. 22, 2022**

(54) **BEDSTEAD**

D903,364 S * 12/2020 Christiansen D6/393
D911,059 S * 2/2021 Fang D6/394
2020/0345148 A1* 11/2020 Qiu A47C 19/022

(71) Applicant: **Xi'an Kaihongda E-commerce Co., Ltd**, Shaanxi (CN)

(72) Inventor: **Kai Li**, Guangdong (CN)

(73) Assignee: **Xi'an Kaihongda E-commerce Co., Ltd**, Xi'an (CN)

(**) Term: **15 Years**

(21) Appl. No.: **29/768,675**

(22) Filed: **Jan. 31, 2021**

(51) **LOC (13) Cl.** **06-02**

(52) **U.S. Cl.**
USPC **D6/393**

(58) **Field of Classification Search**
USPC D6/392-395
CPC A47C 19/00; A47C 19/021; A47C 19/022;
A47C 19/025; A47F 7/30
See application file for complete search history.

(56) **References Cited**

U.S. PATENT DOCUMENTS

D466,716 S	12/2002	Tobin, Jr.	
D520,774 S *	5/2006	Boudreau	D6/393
D785,968 S	5/2017	Burden	
D836,362 S *	12/2018	Davis	D6/394
D848,176 S *	5/2019	Christiansen	D6/393
D855,346 S *	8/2019	Lee	D6/393
D868,495 S *	12/2019	Lee	D6/393
D878,073 S *	3/2020	Sumlin	D6/393
D878,800 S *	3/2020	Sumlin	D6/393
D885,078 S *	5/2020	Liang	D6/392

OTHER PUBLICATIONS

“VECELO Platform Bed Frame.” Found online Jun. 10, 2021 at www.amazon.com. Product first available Jul. 8, 2020. Retrieved from URL: https://www.amazon.com/VECELO-Platform-Headboard-Mattress-Foundation/dp/B08CKK77XD/ref=sr_1_7?dchild=1&keywords=vecelo%2Bbed&qid=1623341185&sr=8-7&th=1 (Year: 2020).*

“LIKIMIO Queen Bed Frame.” Found online Jun. 10, 2021 at ww.amazon.com. Product first available Aug. 31, 2020. Retrieved from URL: <https://tinyurl.com/59fjhkkt> (Year: 2020).*

* cited by examiner

Primary Examiner — Mary Ann Calabrese

Assistant Examiner — Katelin G Kloberg

(57) **CLAIM**

The ornamental design for a bedstead, as shown and described.

DESCRIPTION

FIG. 1 is a perspective view of a bedstead showing my new design;

FIG. 2 is a front view thereof;

FIG. 3 is a back view thereof;

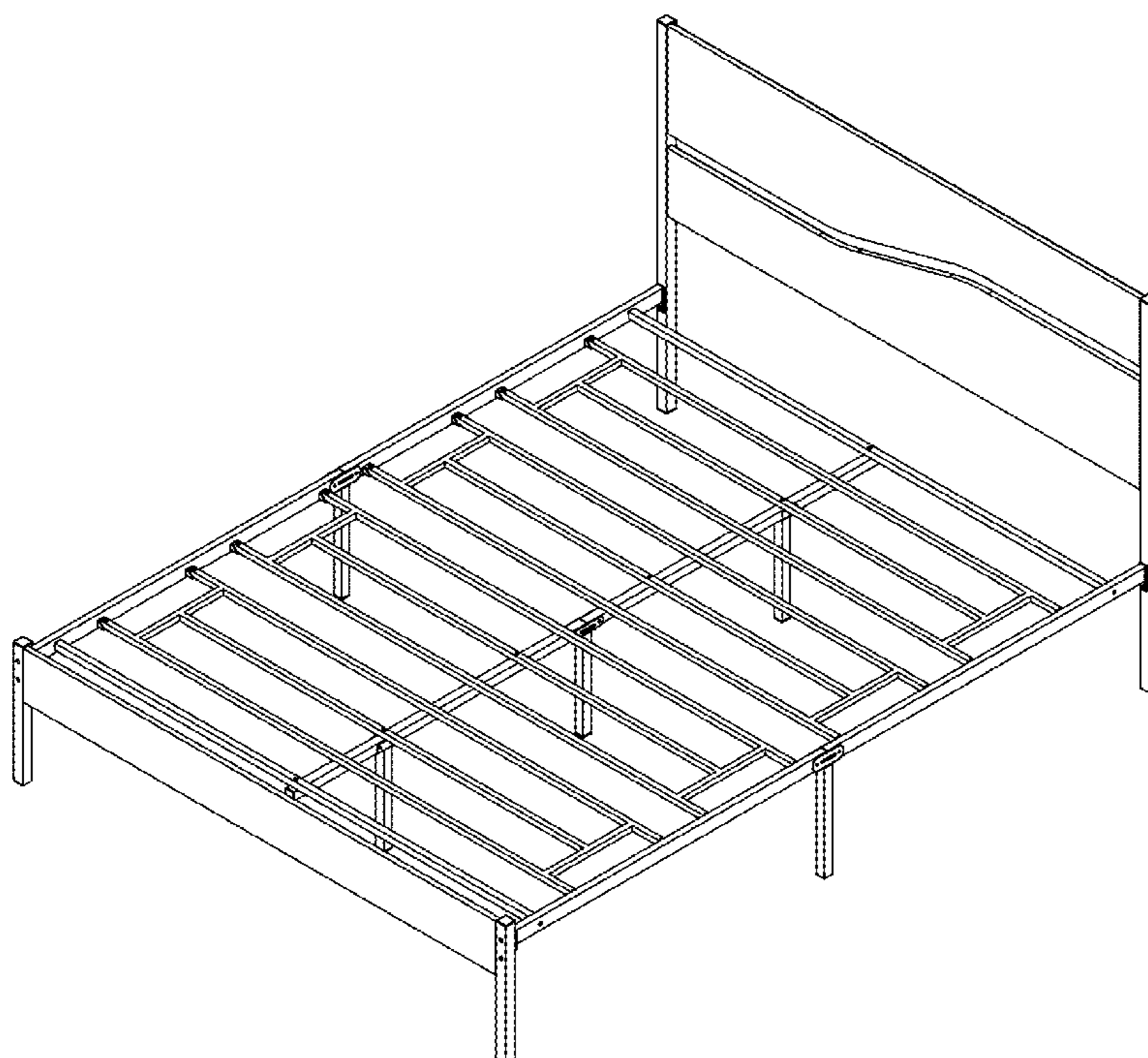
FIG. 4 is a left side view thereof;

FIG. 5 is a right side view thereof;

FIG. 6 is a top view thereof; and,

FIG. 7 is a bottom view thereof.

1 Claim, 7 Drawing Sheets



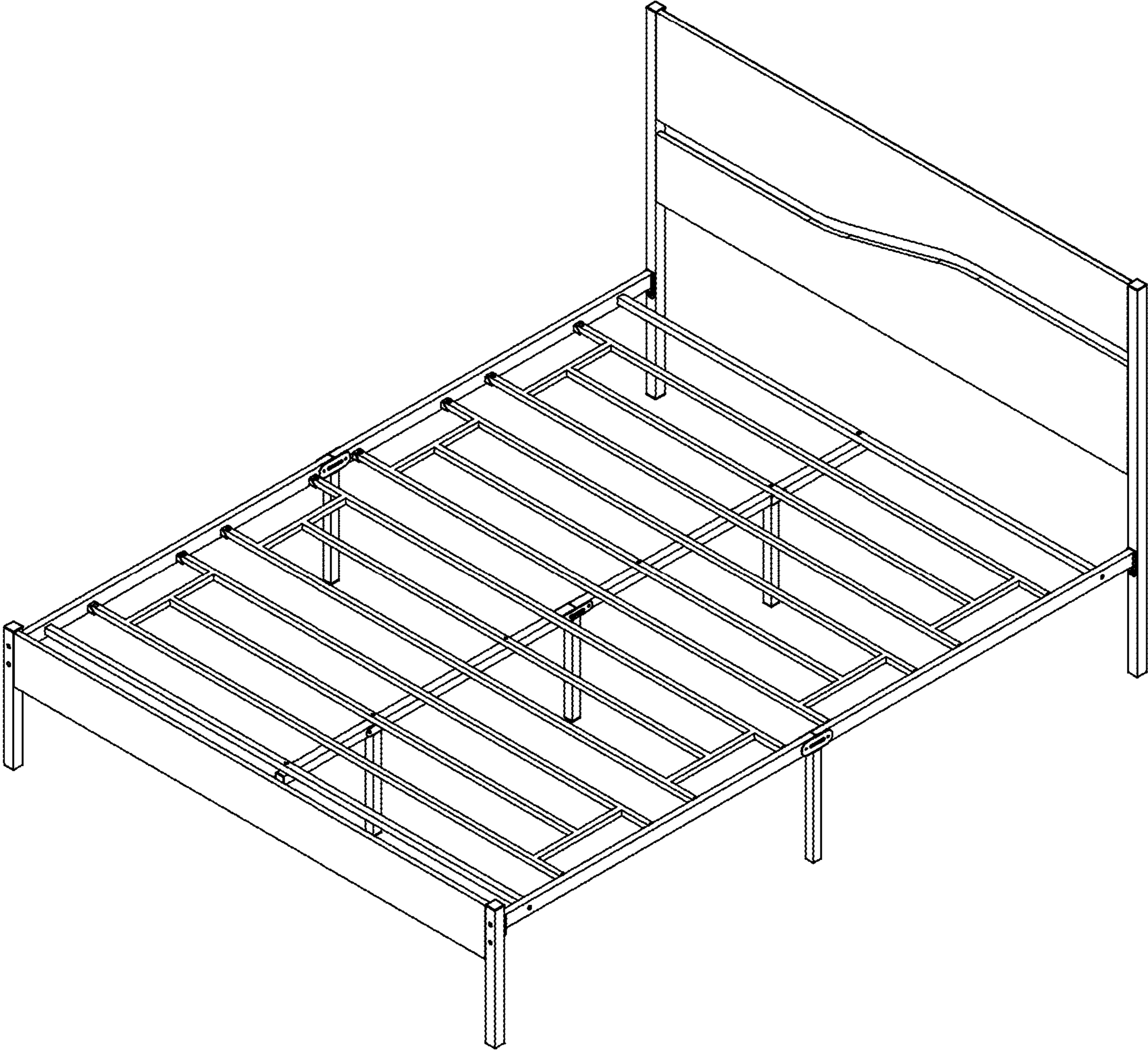


FIG.1

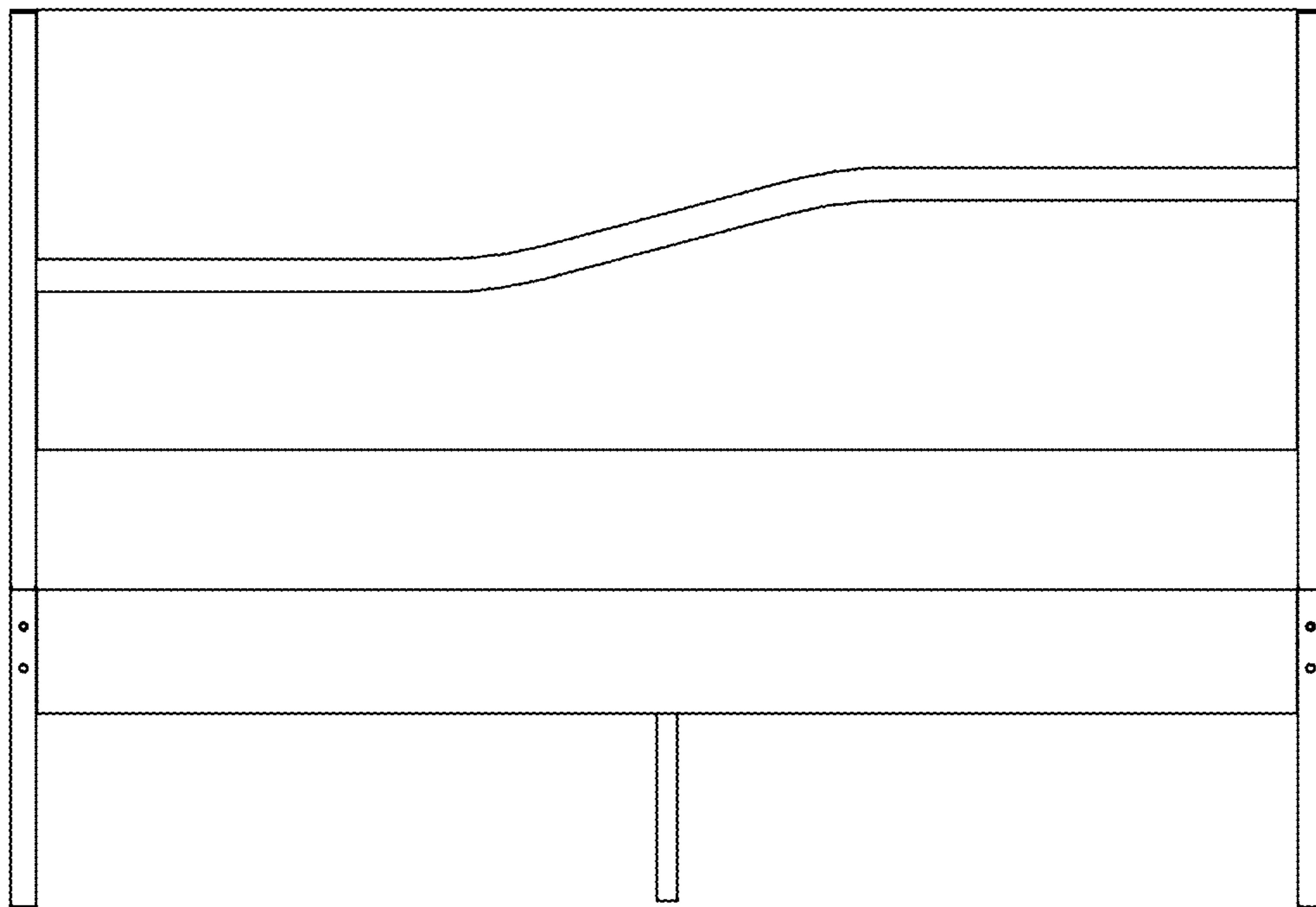


FIG.2

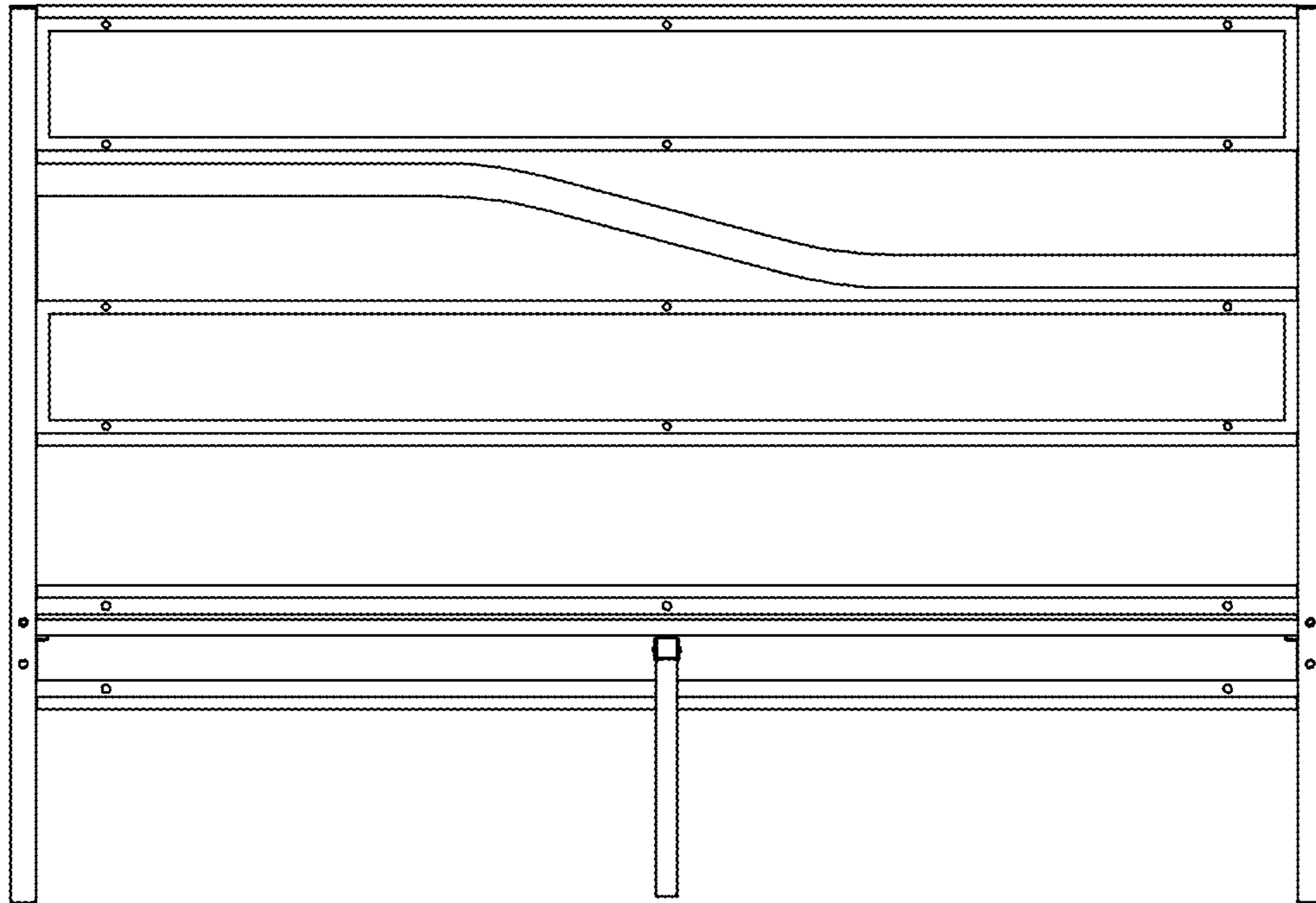


FIG.3

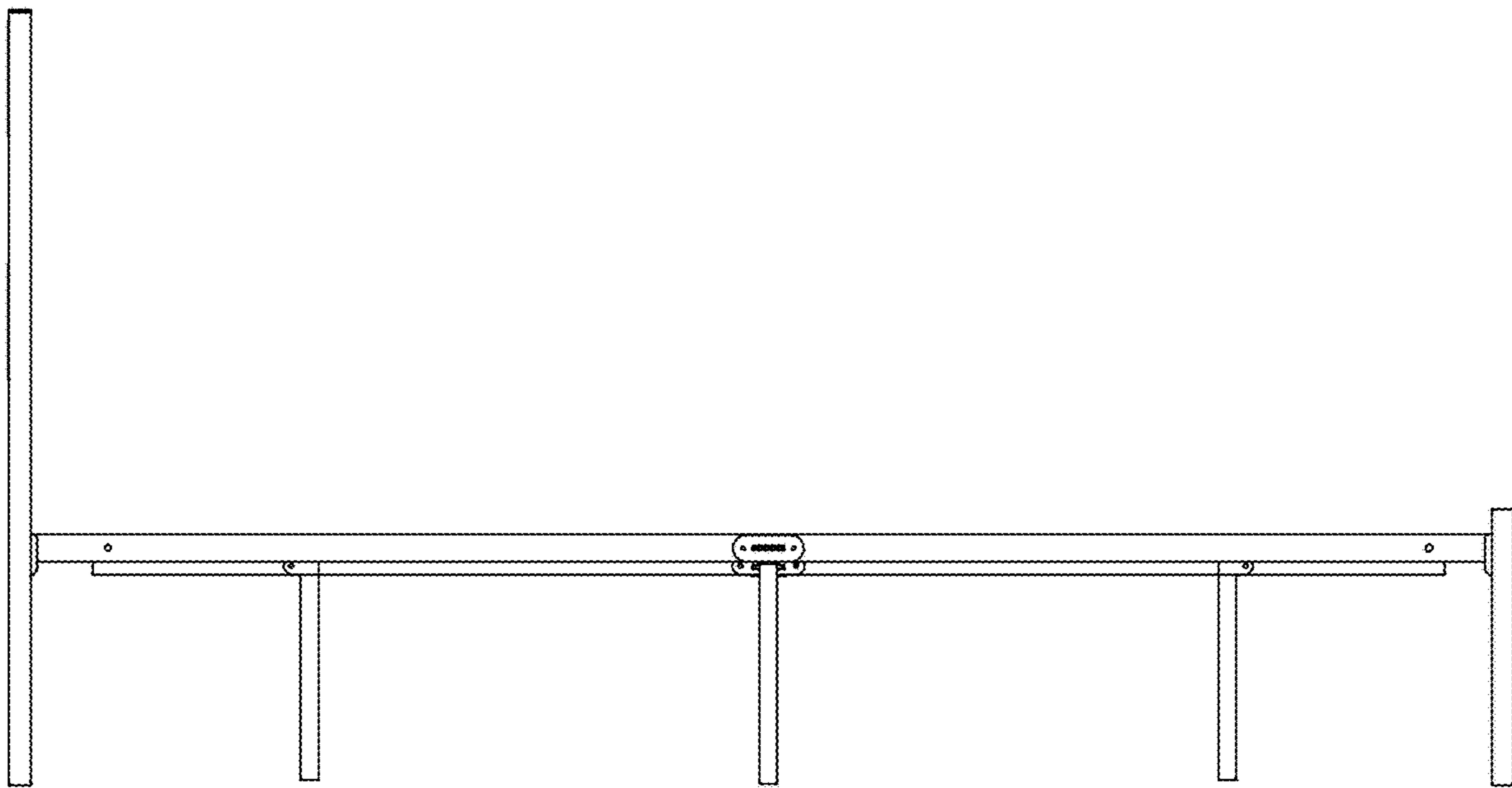


FIG.4

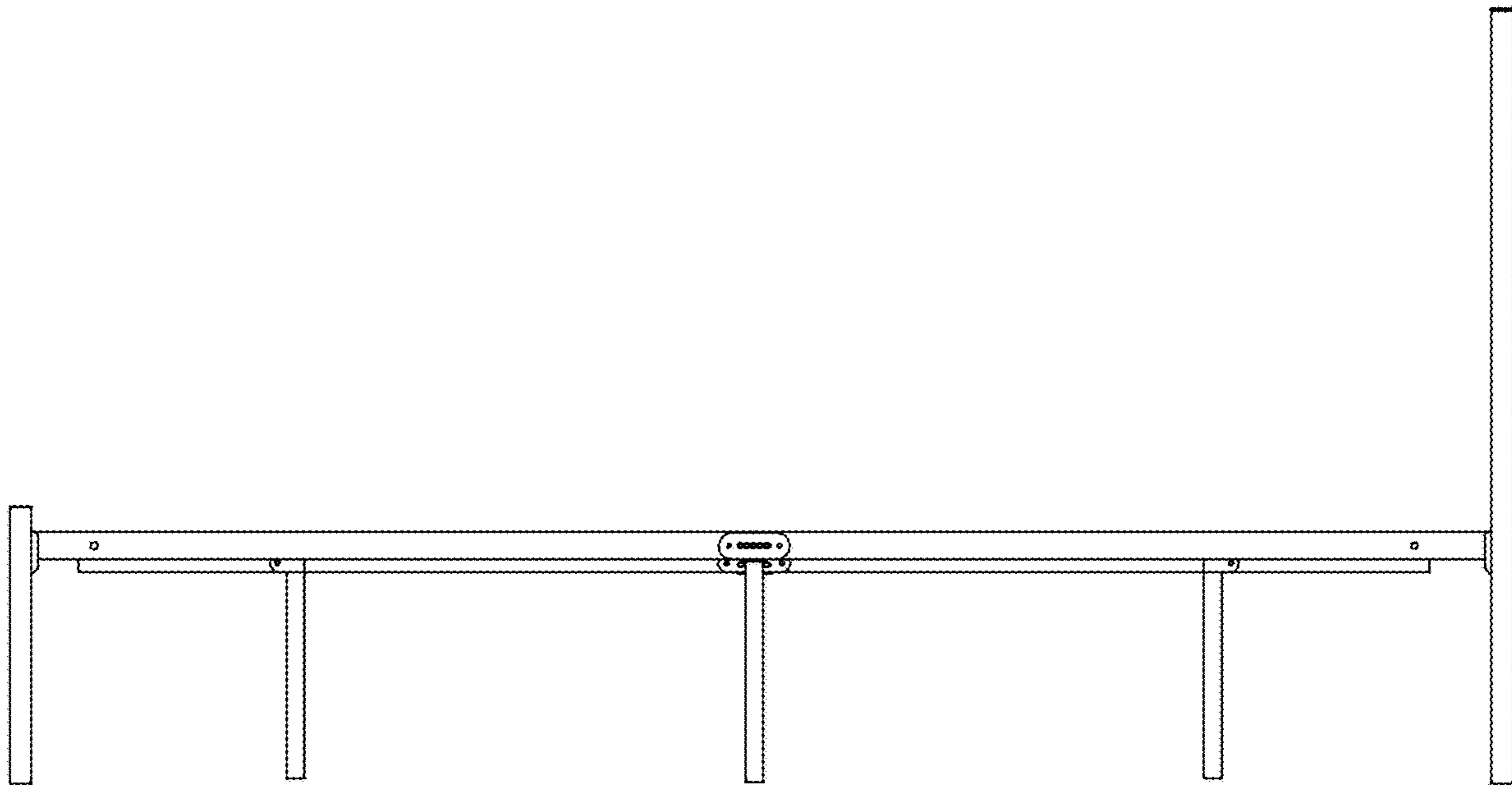


FIG.5

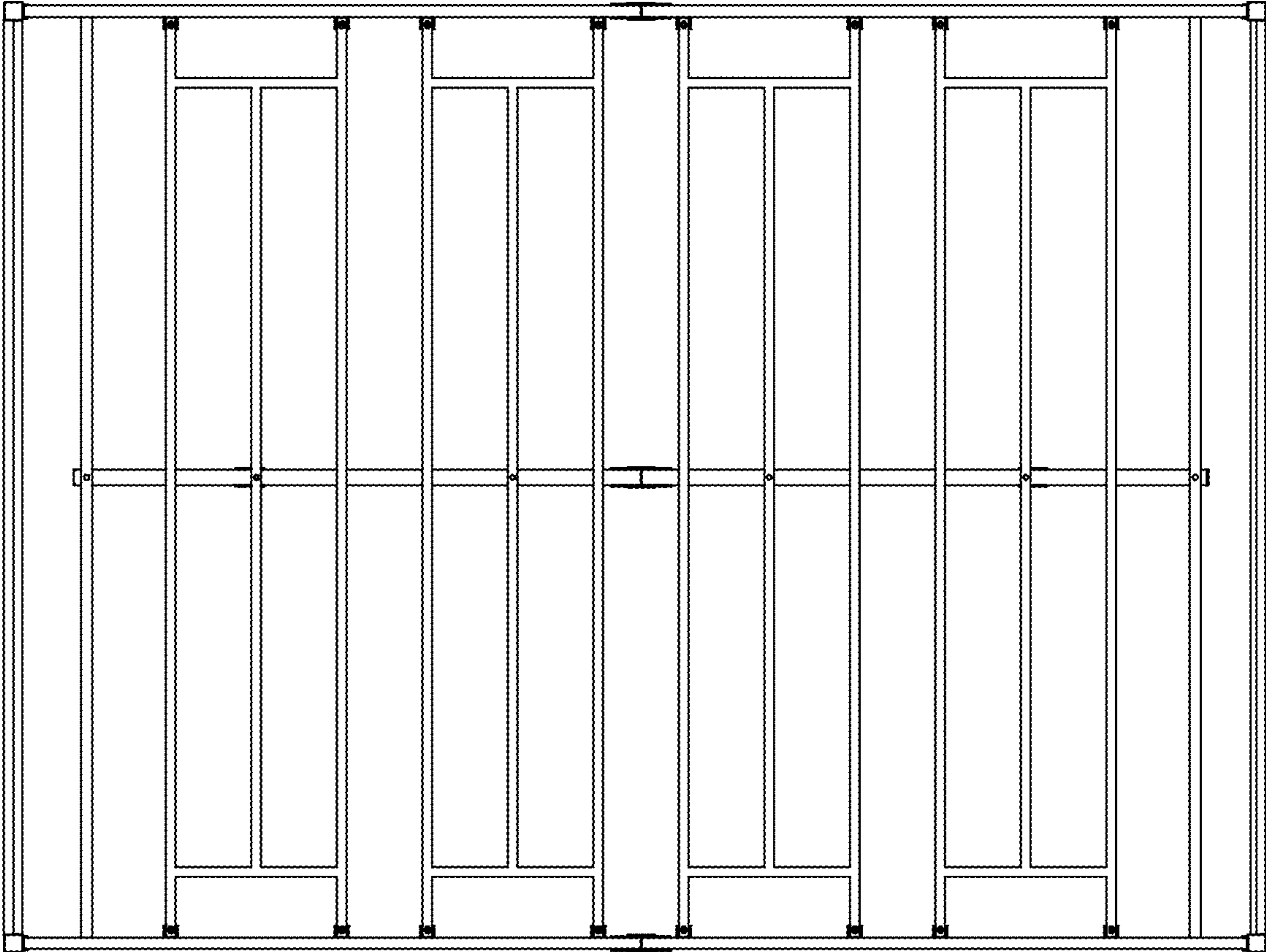


FIG.6

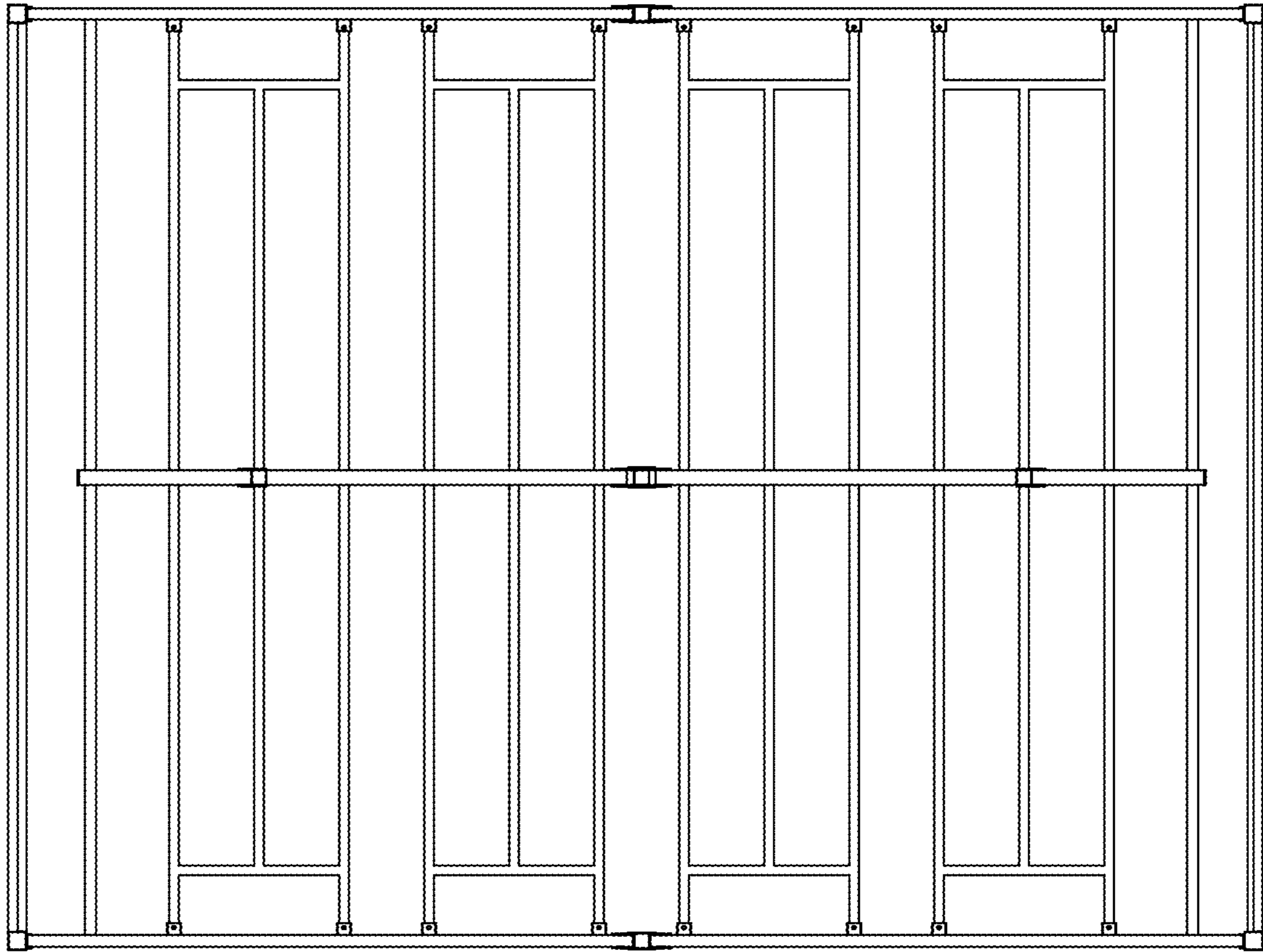


FIG.7