



US00D946299S

(12) **United States Design Patent** (10) **Patent No.:** **US D946,299 S**
Rey (45) **Date of Patent:** **** Mar. 22, 2022**

(54) **BED FRAME**

- (71) Applicant: **Rebecca Jane Rey**, Vergennes, VT (US)
- (72) Inventor: **Rebecca Jane Rey**, Vergennes, VT (US)
- (**) Term: **15 Years**
- (21) Appl. No.: **29/652,396**
- (22) Filed: **Aug. 5, 2020**
- (51) **LOC (13) Cl.** **06-02**
- (52) **U.S. Cl.**
USPC **D6/393**
- (58) **Field of Classification Search**
USPC D6/393, 392, 718.22, 382, 718; D21/519
CPC A47C 19/005; A47C 19/021
See application file for complete search history.

(56) **References Cited**

U.S. PATENT DOCUMENTS

4,155,131	A *	5/1979	Harris	A47C 19/005
					312/263
4,169,294	A *	10/1979	Harris	A47C 19/021
					5/200.1
D288,874	S *	3/1987	Yosimoto	D6/382
D532,988	S	12/2006	Dordoni		
D554,884	S	11/2007	Soressi		
D564,779	S	3/2008	Novak		
D722,782	S *	2/2015	Sherwood	D6/382
D742,136	S	11/2015	Flora		
D845,022	S *	4/2019	Birch	D6/393
D876,118	S *	2/2020	Bellini	D6/393

OTHER PUBLICATIONS

DXF VECtorTwin bed 3.5ft furniture CNC, first available Jan. 17, 2020. Facebook.com, [online], [site visited Sep. 2, 2021], Available from Internet URL: https://m.facebook.com/gninetydf2/?ref=page_home_tab (Year: 2020).*

Prototype ZERO Hardware Bed from CNC/ available from Instagram, announced Mar. 13, 2020 [online]. [site visited Aug. 30, 2021]. Internet URL: <https://www.instagram.com/p/B9rwyMoBhik/> (Year: 2020).*

* cited by examiner

Primary Examiner — Vy N Koenig

Assistant Examiner — Michelle M Reeves

(74) *Attorney, Agent, or Firm* — Dunlap Bennett & Ludwig, PLLC

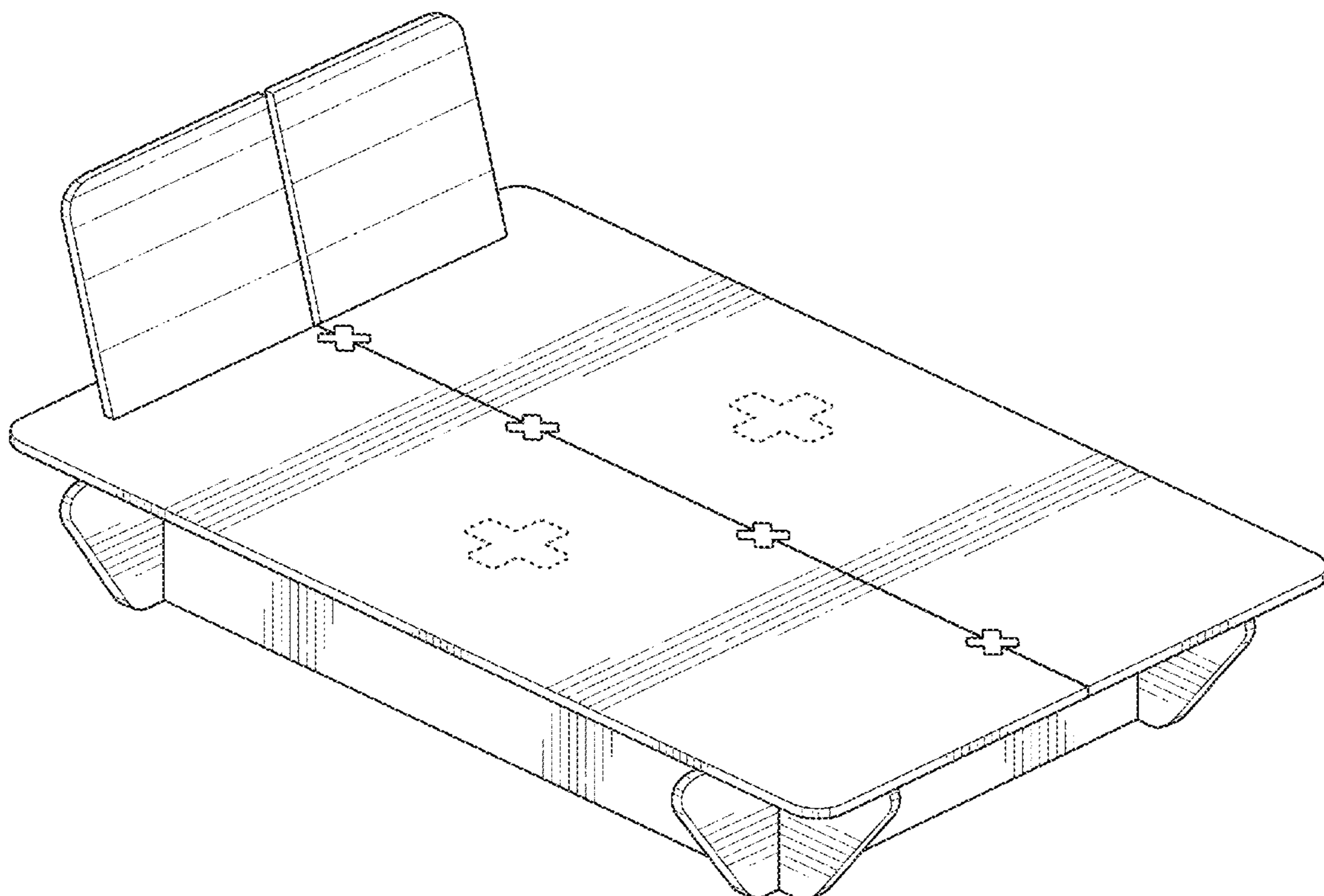
(57) **CLAIM**

The ornamental design for a bed frame, as shown and described.

DESCRIPTION

FIG. 1 is a front top left perspective view of the bed frame, showing my new design;
 FIG. 2 is a front elevation view thereof;
 FIG. 3 is a rear elevation view thereof;
 FIG. 4 is a left side elevation view thereof;
 FIG. 5 is a right side elevation view thereof;
 FIG. 6 is a top plan view thereof; and,
 FIG. 7 is a bottom plan view thereof.
 The broken lines shown in the drawings depict portions of the bed frame that form no part of the claimed invention.

1 Claim, 4 Drawing Sheets



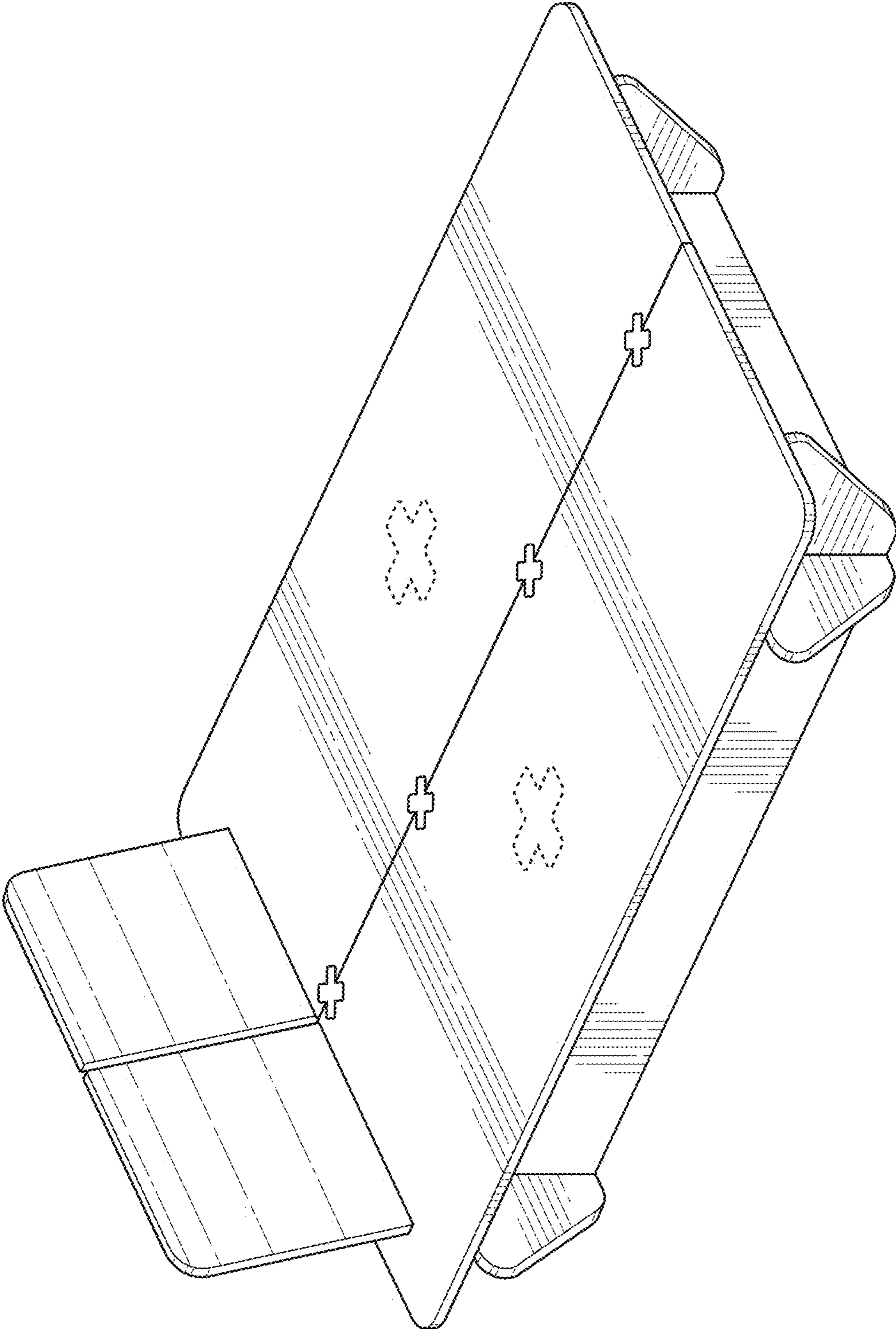


FIG. 1

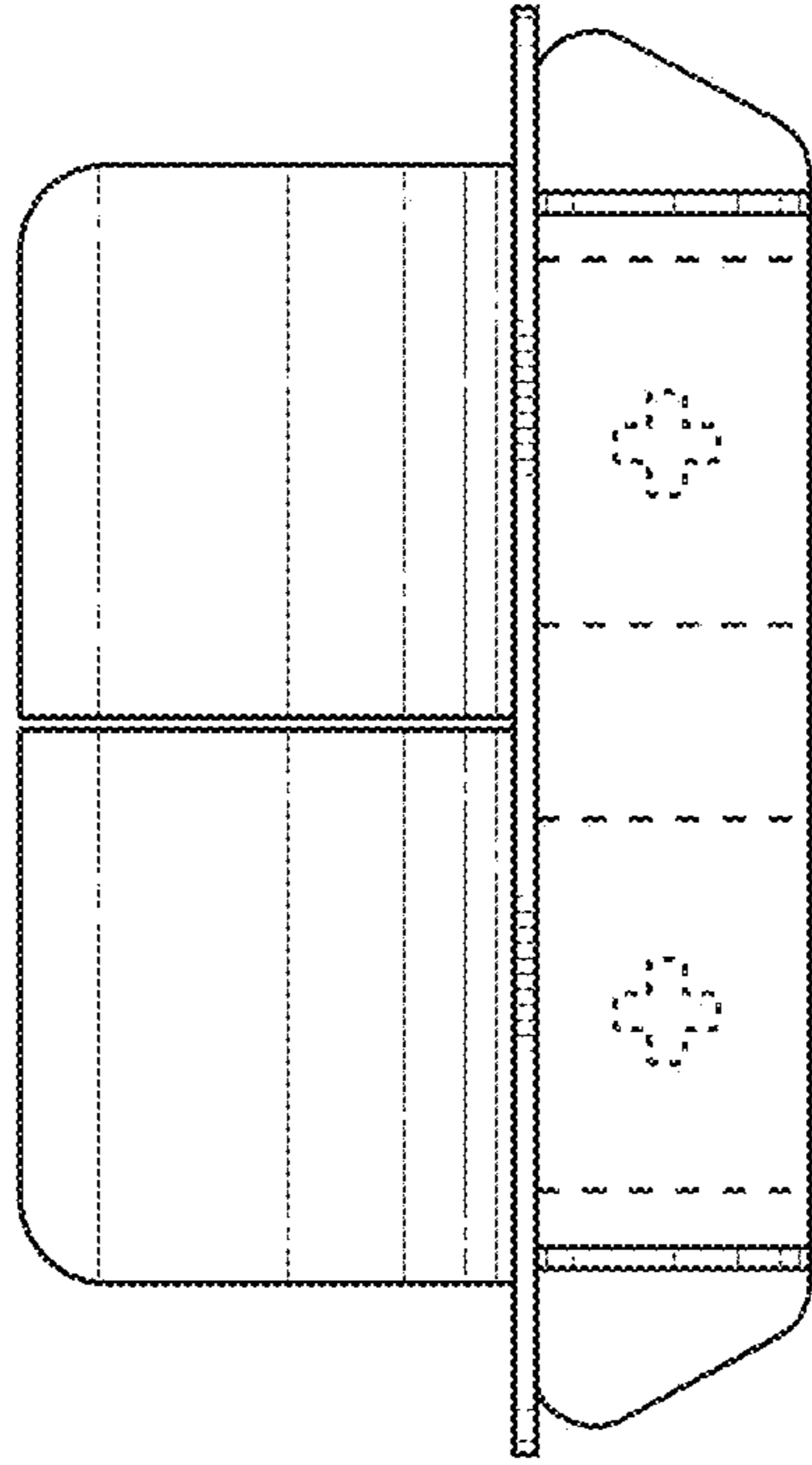


FIG. 2

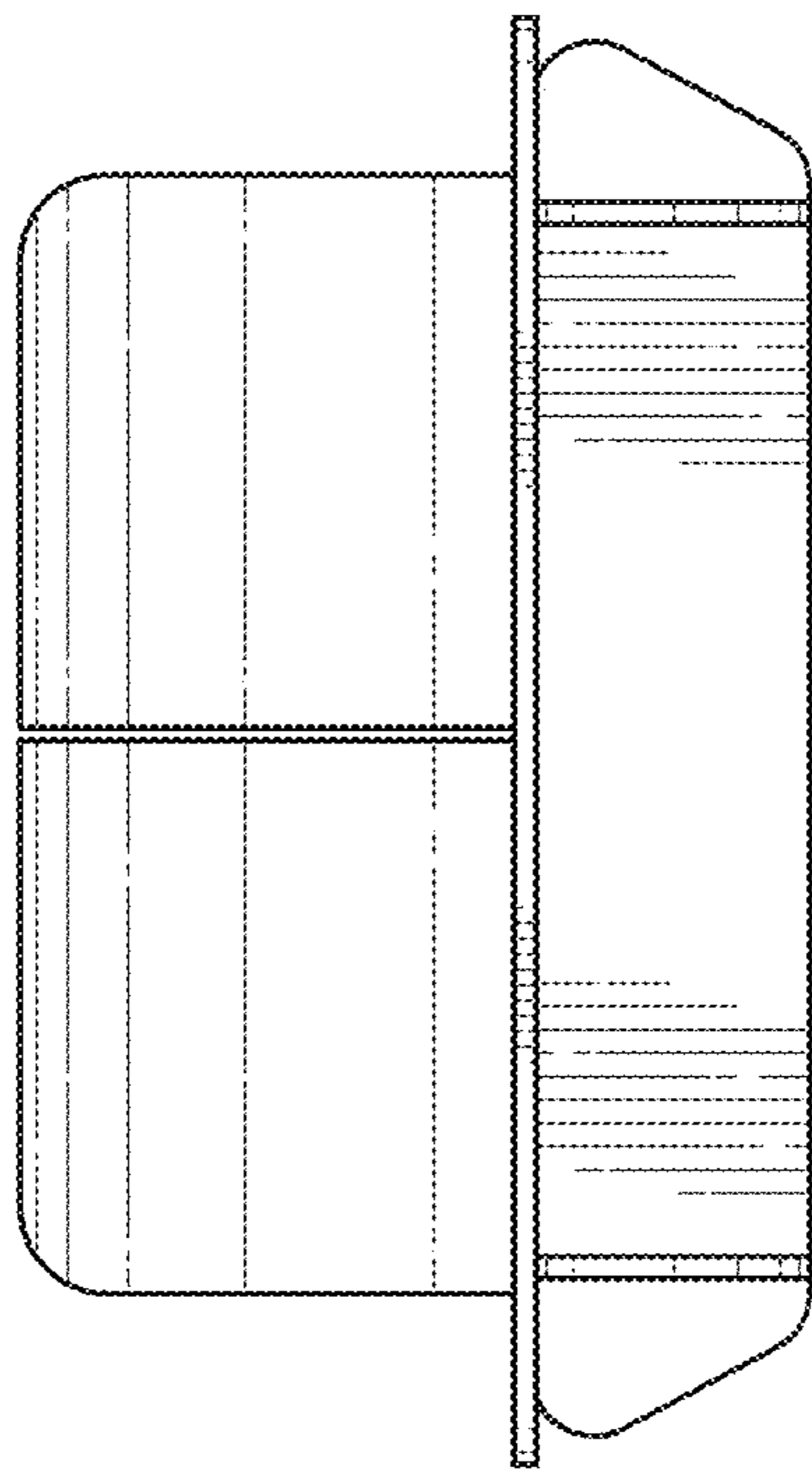


FIG. 3

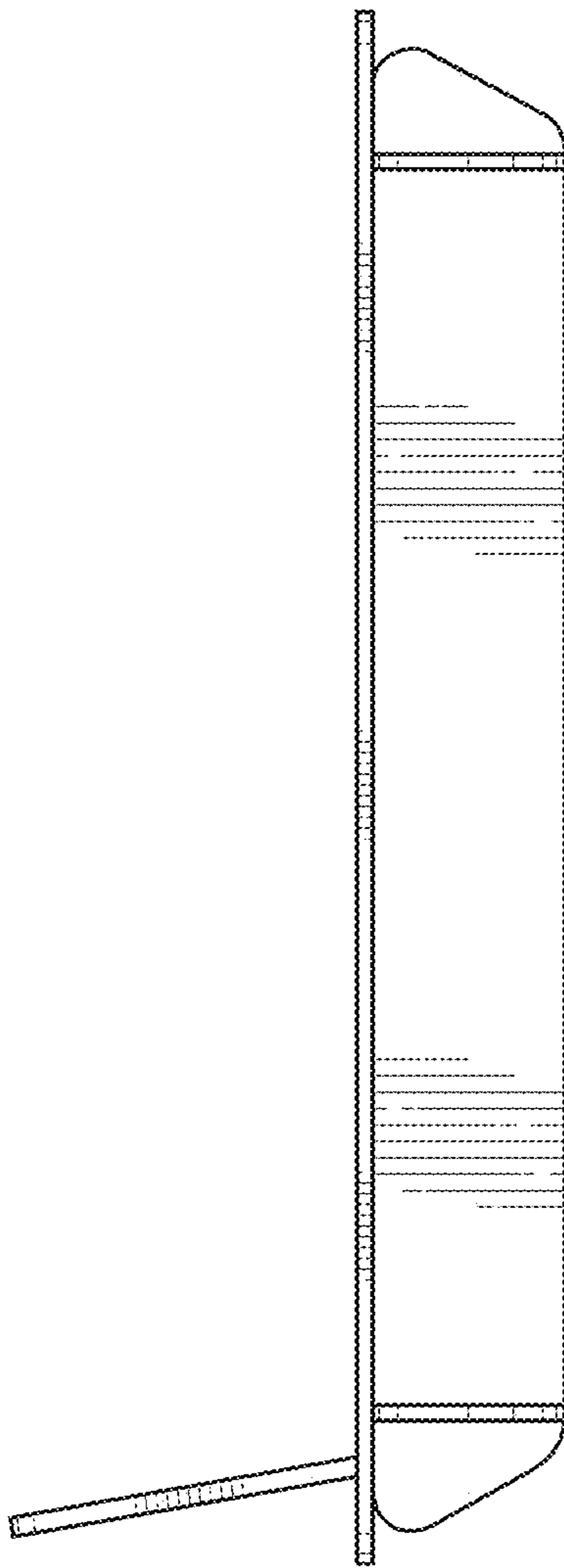


FIG. 4

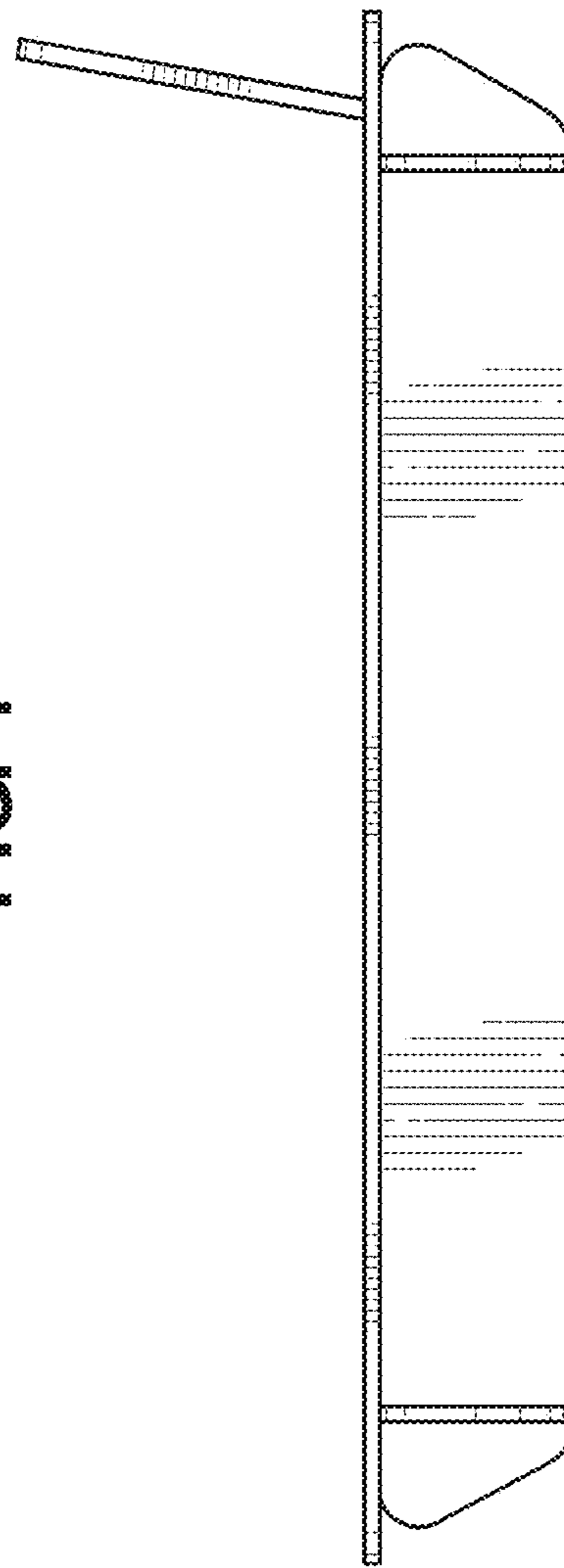


FIG. 5

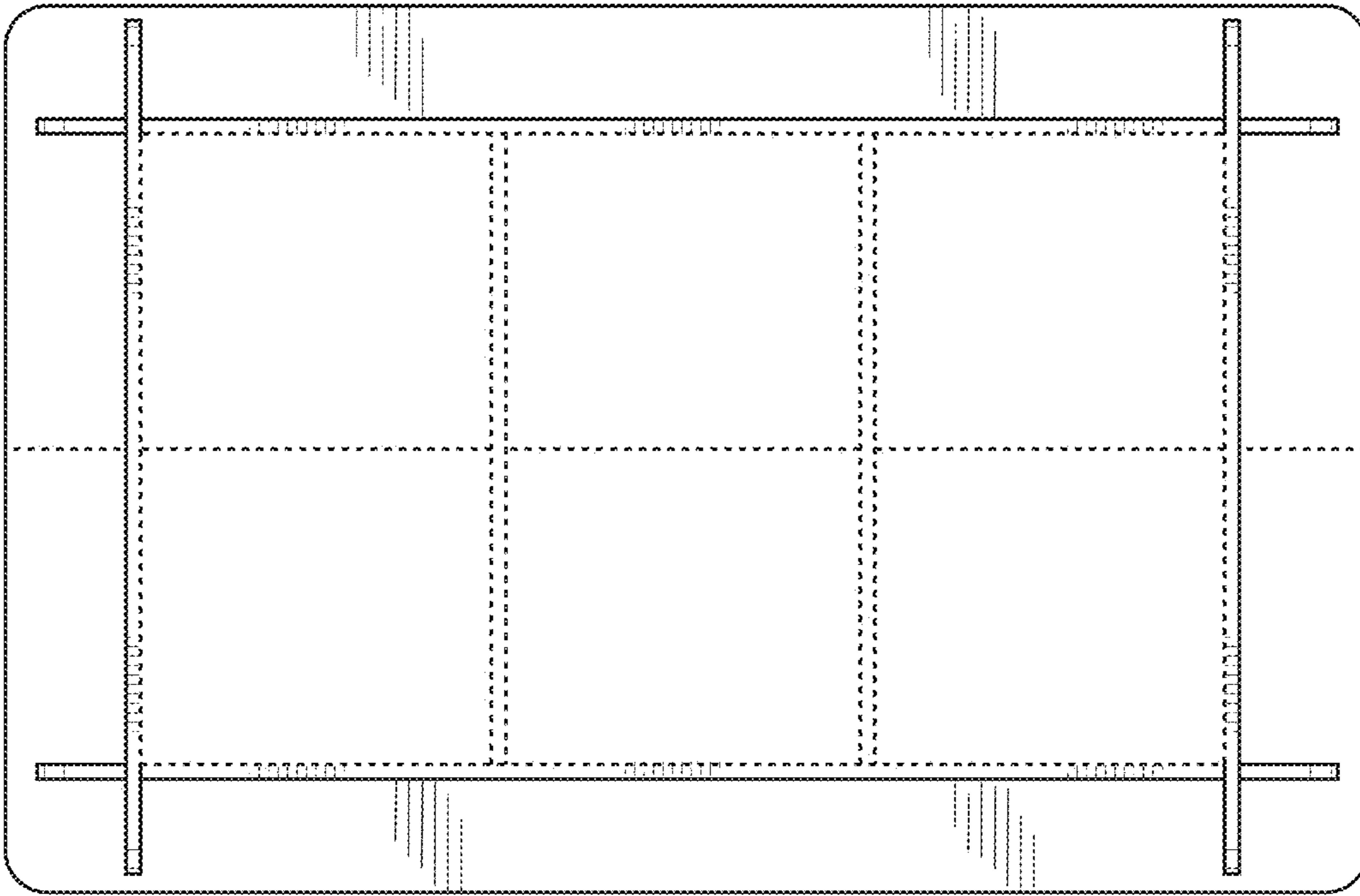


FIG. 7

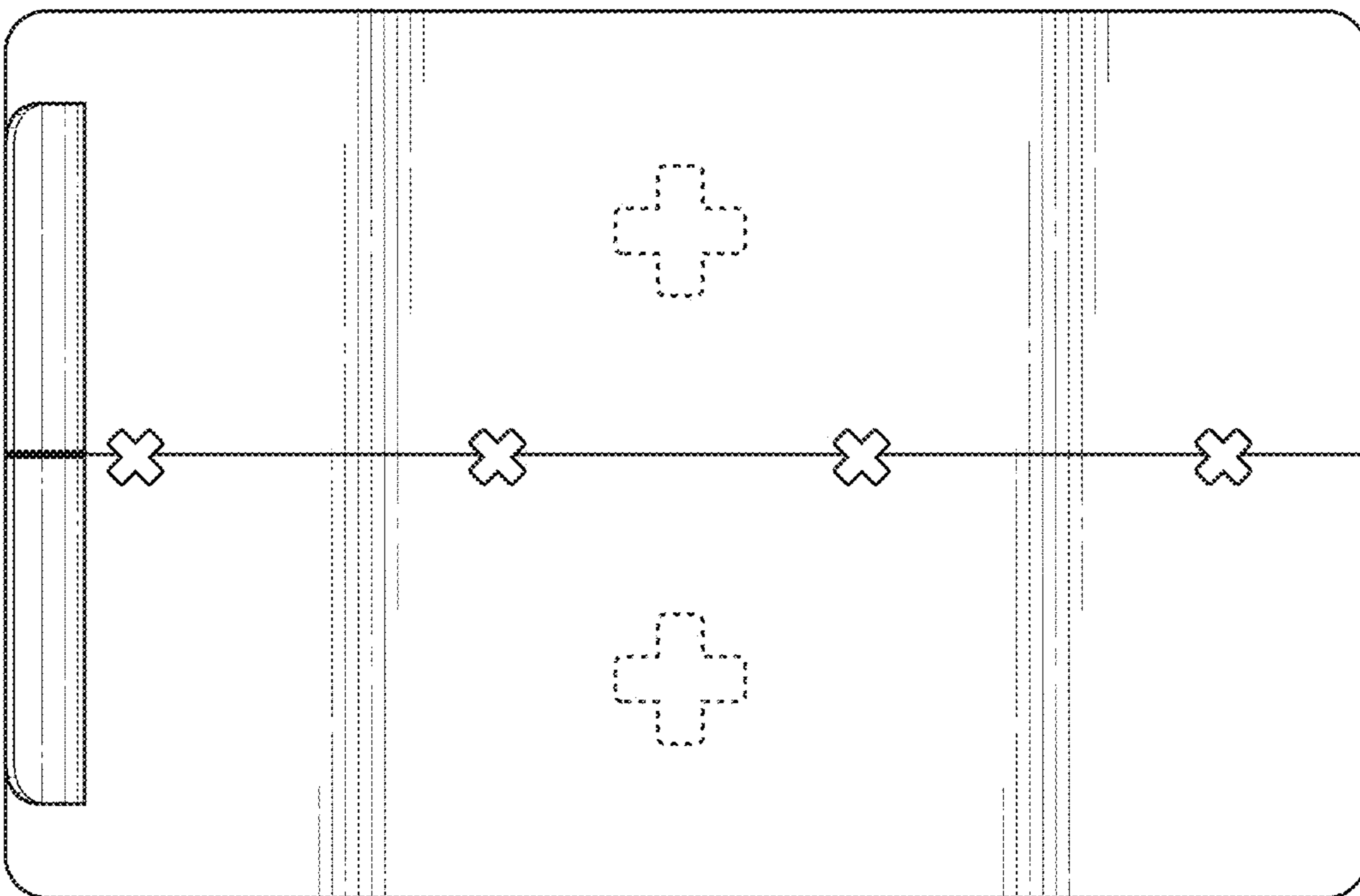


FIG. 6