



US00D946291S

(12) **United States Design Patent**
Wang

(10) **Patent No.:** **US D946,291 S**
(45) **Date of Patent:** **** Mar. 22, 2022**

(54) **BATH CHAIR FOR INFANT**

D630,863 S * 1/2011 Yeung D6/333
D704,940 S * 5/2014 Maurer D6/339
D914,337 S * 3/2021 Sykes D2/946

(71) Applicant: **Xixin Wang**, Shenzhen (CN)

* cited by examiner

(72) Inventor: **Xixin Wang**, Shenzhen (CN)

Primary Examiner — Abraham Bahta

(**) Term: **15 Years**

(21) Appl. No.: **29/776,995**

(22) Filed: **Apr. 1, 2021**

(57) **CLAIM**

(51) **LOC (13) Cl.** **06-01**

The ornamental design for a bath chair for infant, as shown and described.

(52) **U.S. Cl.**

USPC **D6/339**

(58) **Field of Classification Search**

USPC D12/128-130; D6/333, 339, 364;
D21/533-535, 476, 419, 426, 414;
280/647, 642, 771, 7.1, 7.17, 87.041,
280/87.05, 47.38, 250.1; 267/5;
135/65-67; 224/409; 482/66, 69; 297/5,
297/6, 213
CPC A47D 13/043; A47D 13/107; A47D 13/04;
B62B 7/12

DESCRIPTION

See application file for complete search history.

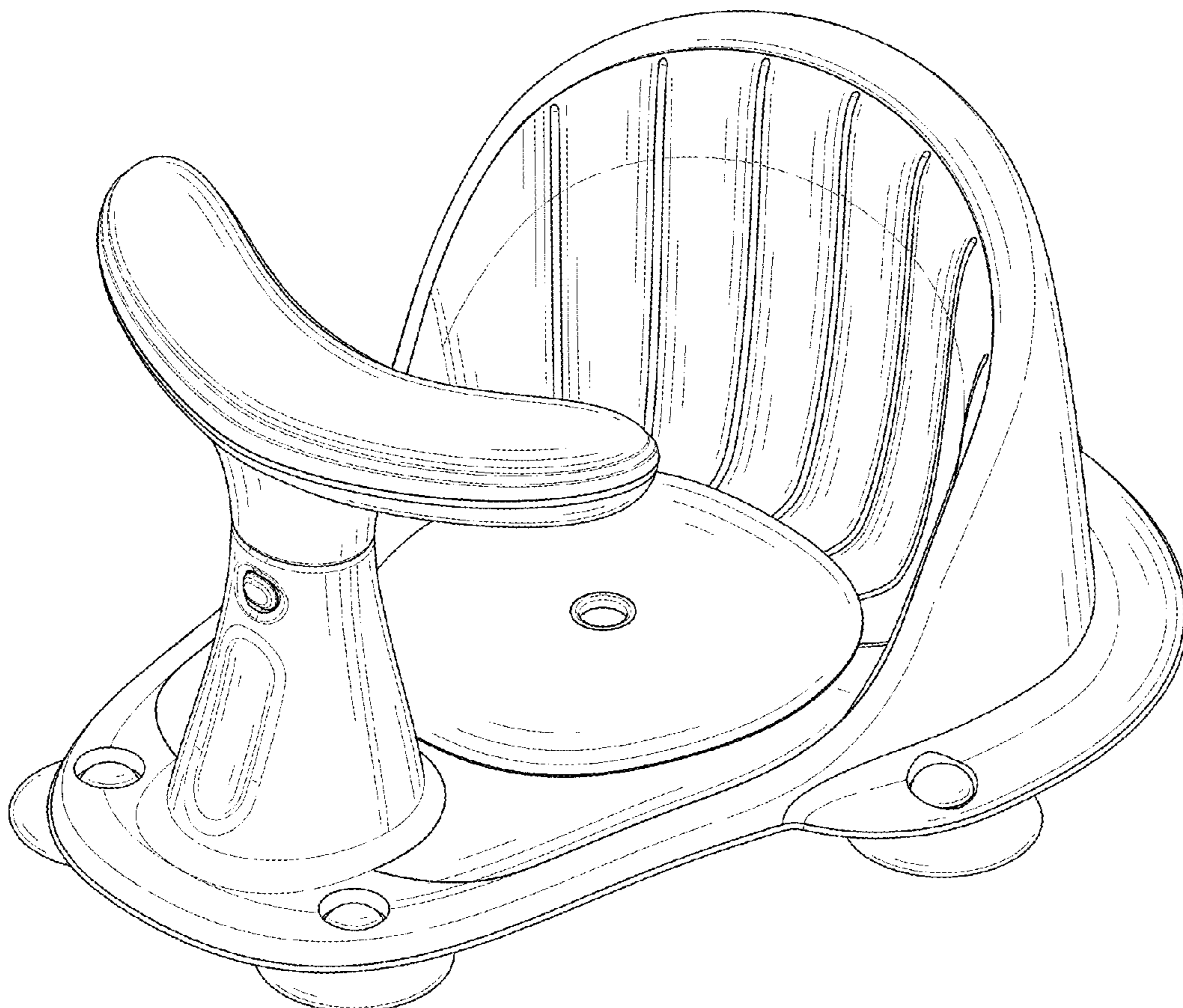
FIG. 1 is a front and top perspective view of a bath chair for infant, showing my new design;
FIG. 2 is a rear and bottom perspective view thereof;
FIG. 3 is a front elevation view thereof;
FIG. 4 is a rear elevation view thereof;
FIG. 5 is a left side elevation view thereof;
FIG. 6 is a right side elevation view thereof;
FIG. 7 is a top plan view thereof; and,
FIG. 8 is a bottom plan view thereof.

(56) **References Cited**

U.S. PATENT DOCUMENTS

D489,538 S 5/2004 Shibata et al.
D573,800 S * 7/2008 Backstrom D6/333

1 Claim, 8 Drawing Sheets



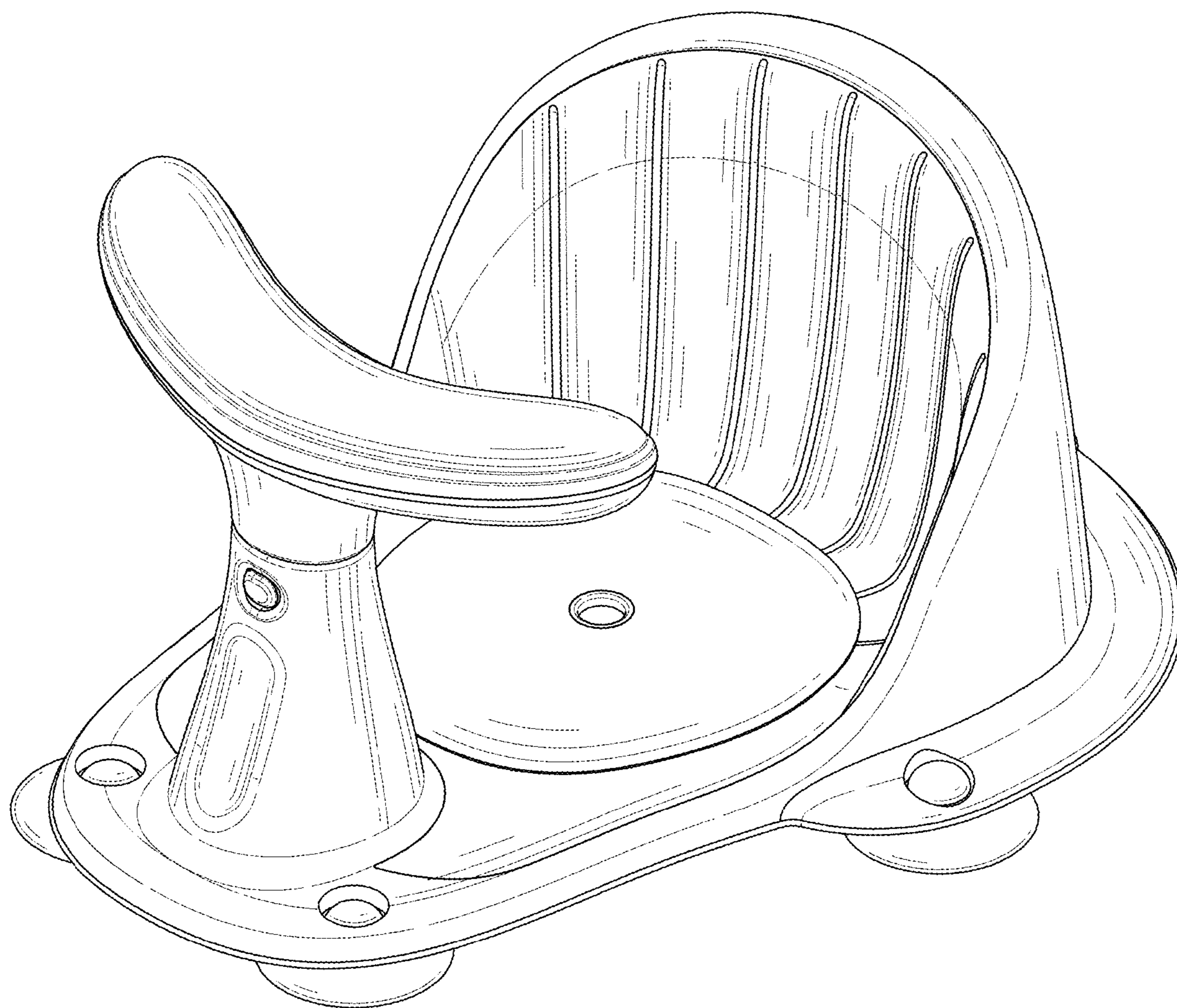


FIG. 1

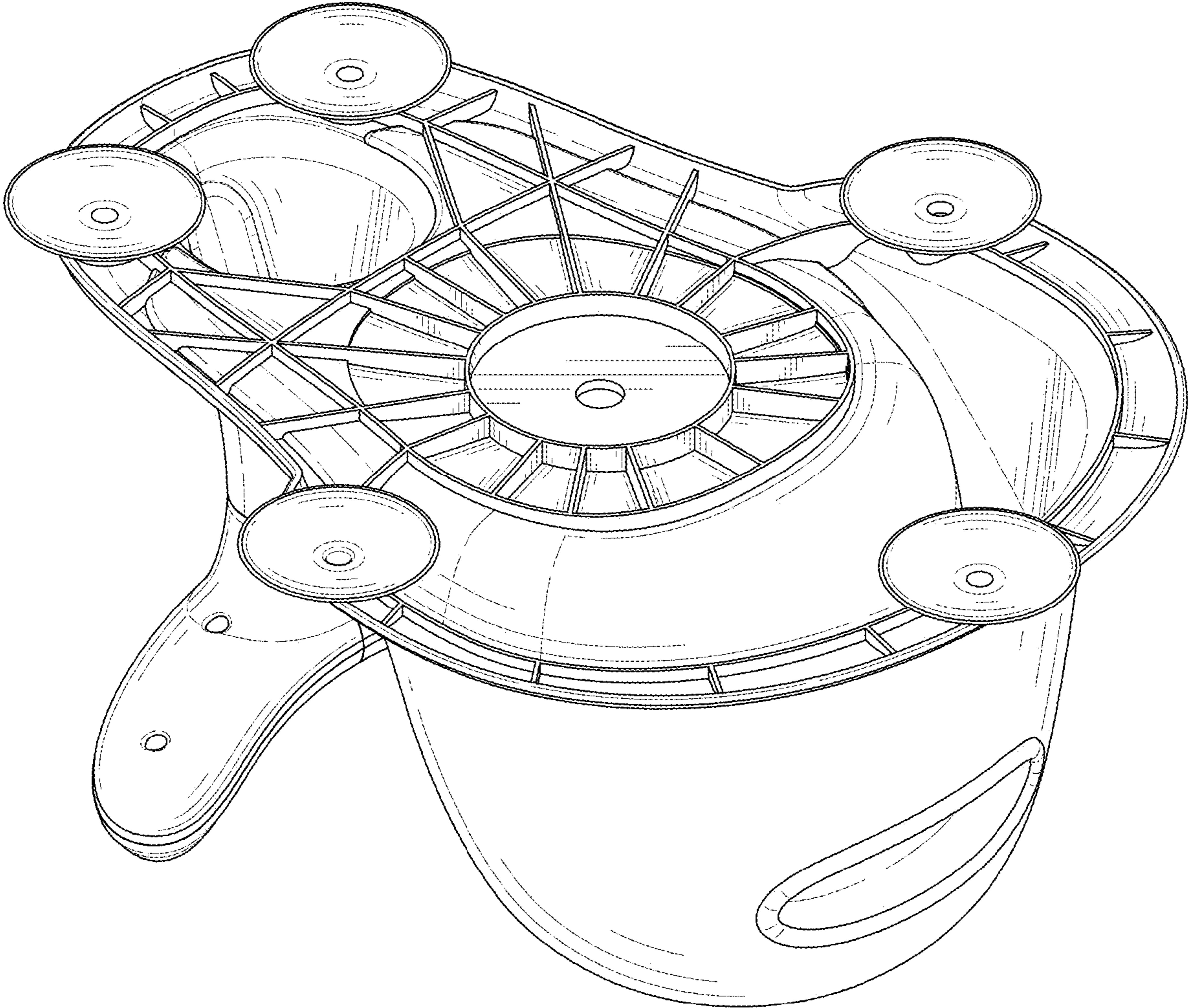


FIG. 2

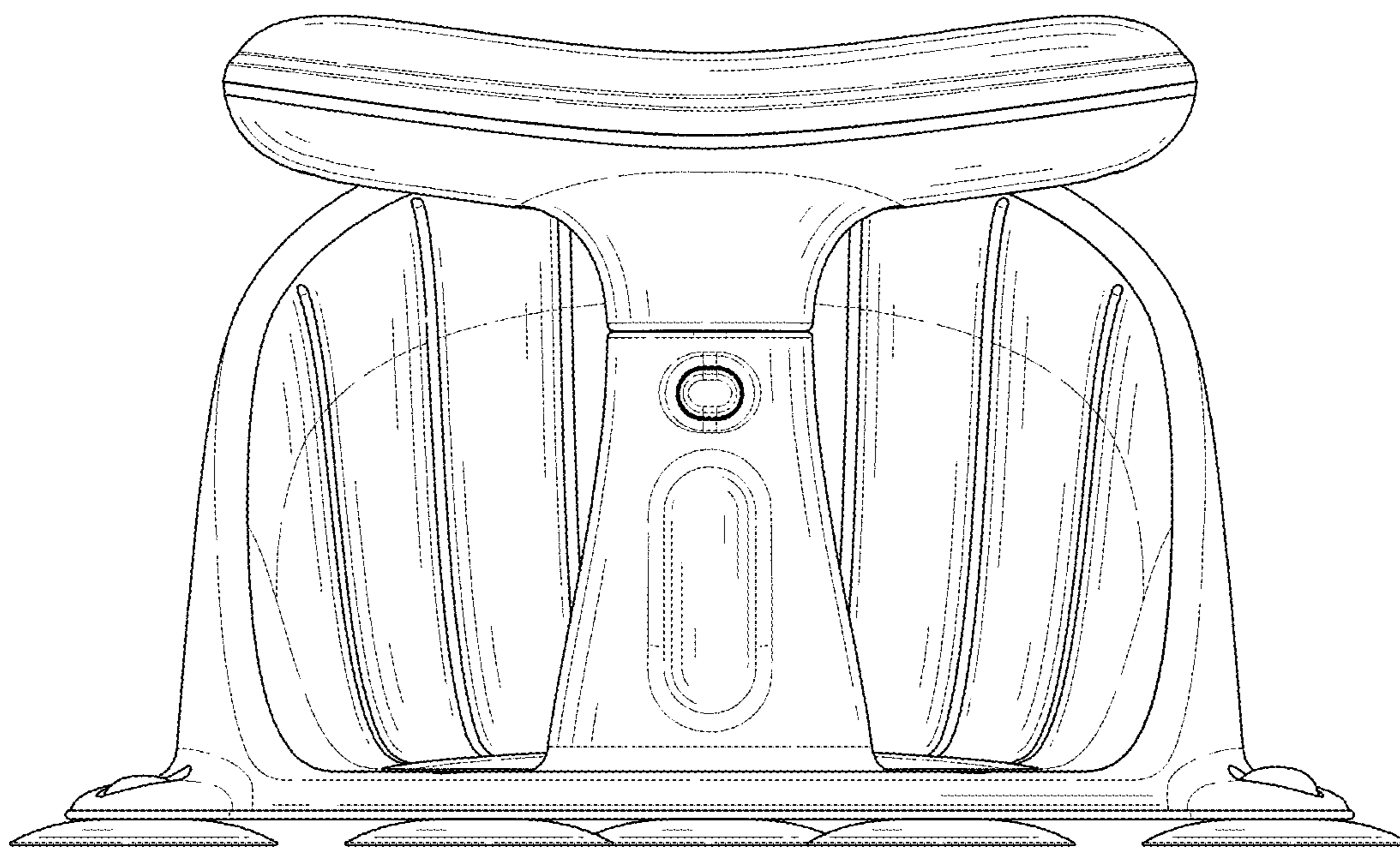


FIG. 3

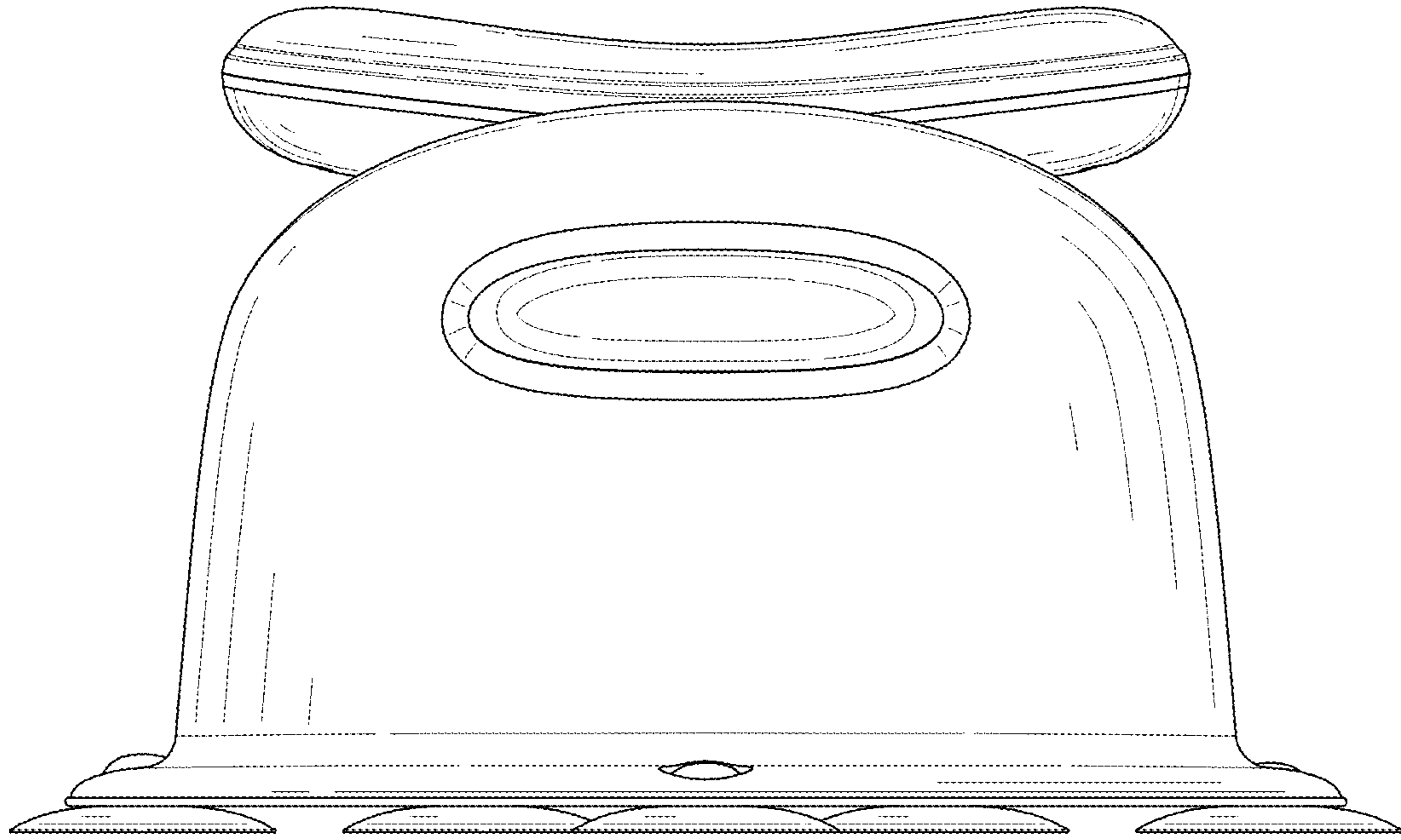


FIG. 4

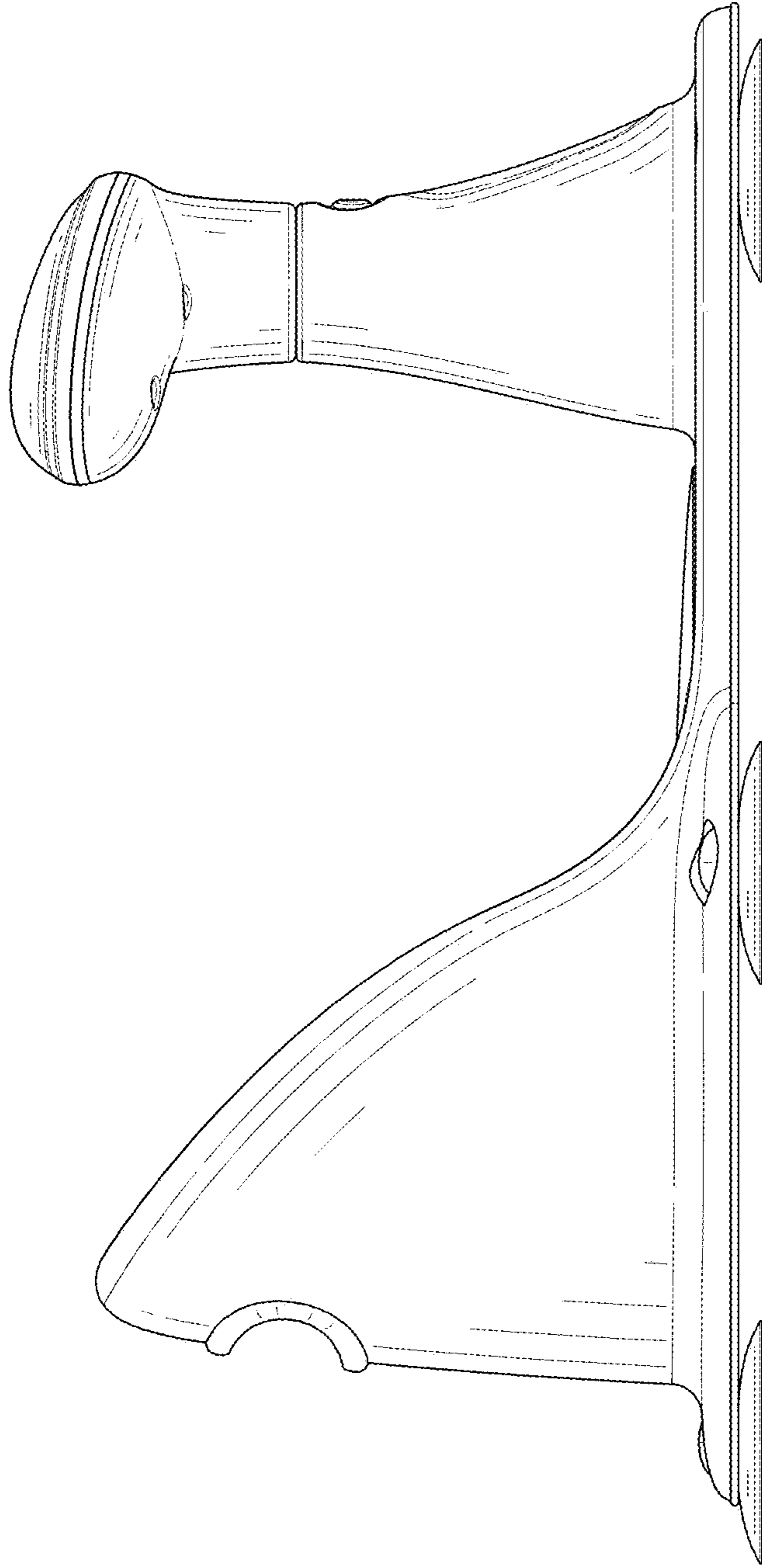


FIG. 5

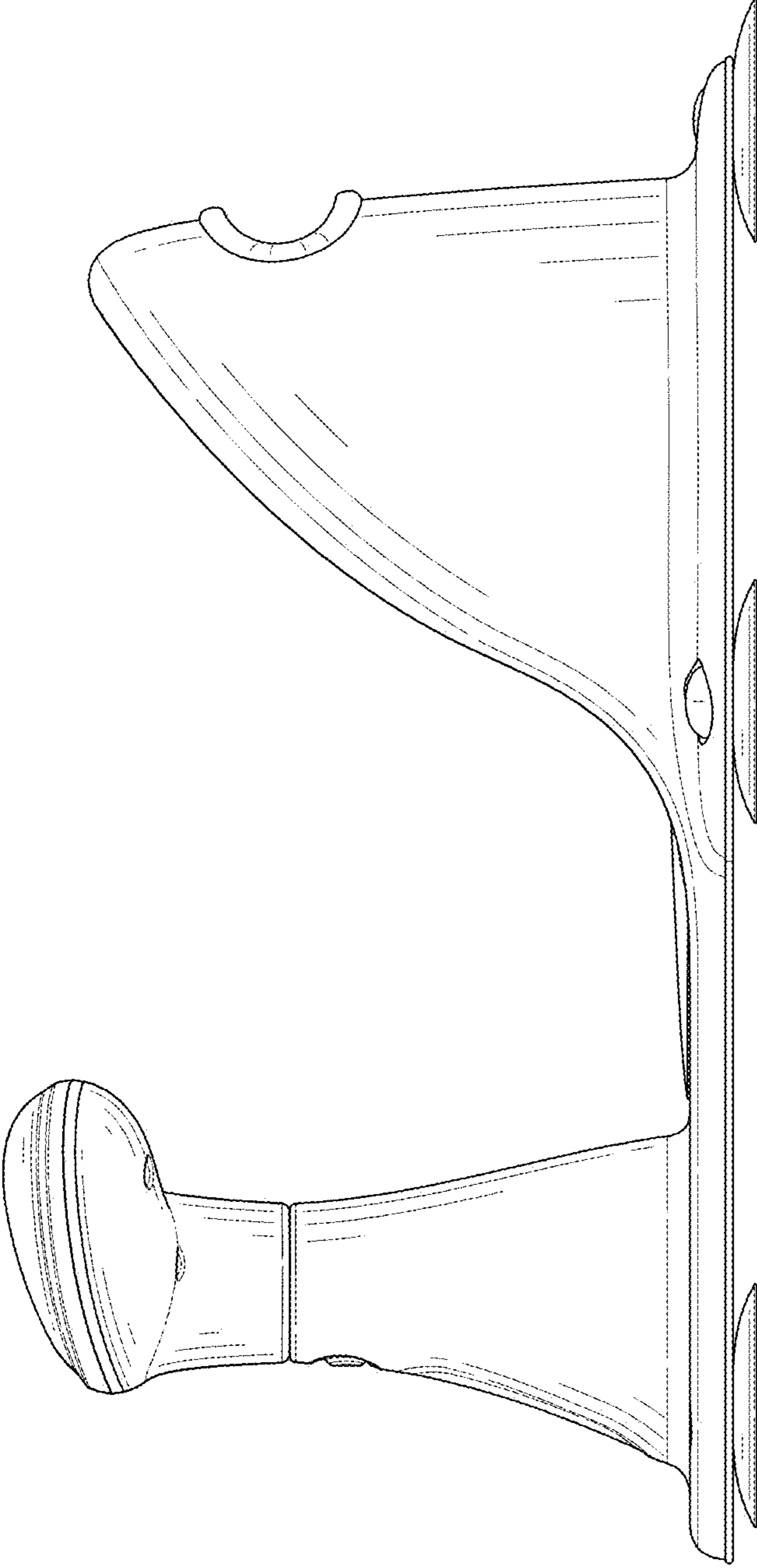


FIG. 6

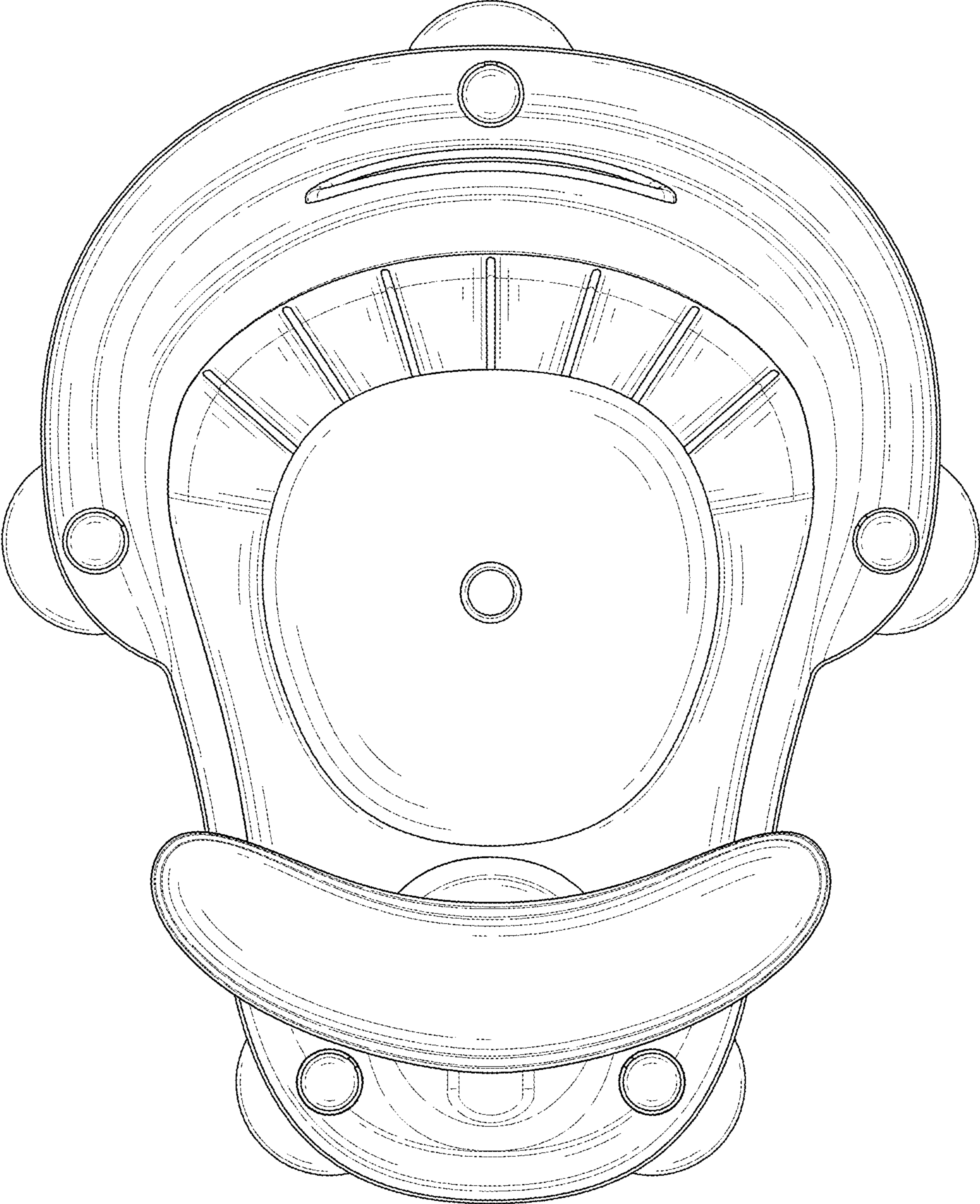


FIG. 7

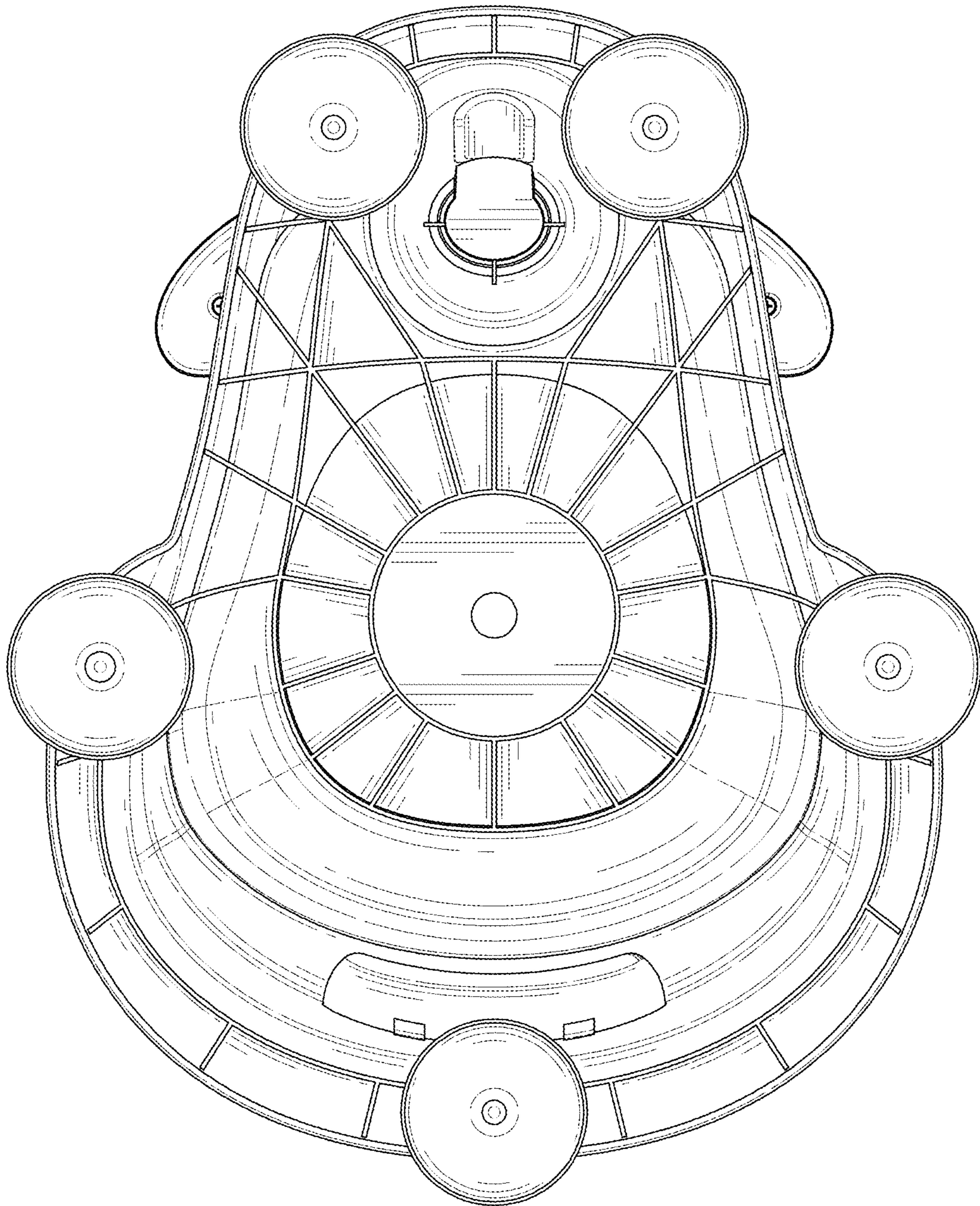


FIG. 8