



US00D946290S

(12) **United States Design Patent** (10) **Patent No.:** **US D946,290 S**  
**Li** (45) **Date of Patent:** **\*\* Mar. 22, 2022**

(54) **CUSHION**  
(71) Applicant: **Easyform Medical (Dongguan) Limited**, Dongguan (CN)  
(72) Inventor: **Yingying Li**, Dongguan (CN)  
(73) Assignee: **Easyform Medical (Dongguan) Limited**, Dongguan (CN)  
(\*\*) Term: **15 Years**

(21) Appl. No.: **29/716,274**  
(22) Filed: **Dec. 9, 2019**

(30) **Foreign Application Priority Data**  
Jun. 10, 2019 (CN) ..... 201930296748.4

(51) **LOC (13) Cl.** ..... **06-08**  
(52) **U.S. Cl.**  
USPC ..... **D6/328**; D6/318

(58) **Field of Classification Search**  
USPC ..... D6/315–328  
CPC ..... A47G 25/28; A47G 25/26; A47G 25/442;  
A47G 25/743; A47G 25/36; A47G 25/14;  
A47G 25/183  
See application file for complete search history.

(56) **References Cited**  
U.S. PATENT DOCUMENTS  
D79,969 S \* 11/1929 Kehoe ..... D6/328  
2,076,133 A \* 4/1937 Melby ..... A47G 25/26  
223/98  
2,107,003 A \* 2/1938 Johnson ..... A47G 25/26  
223/98

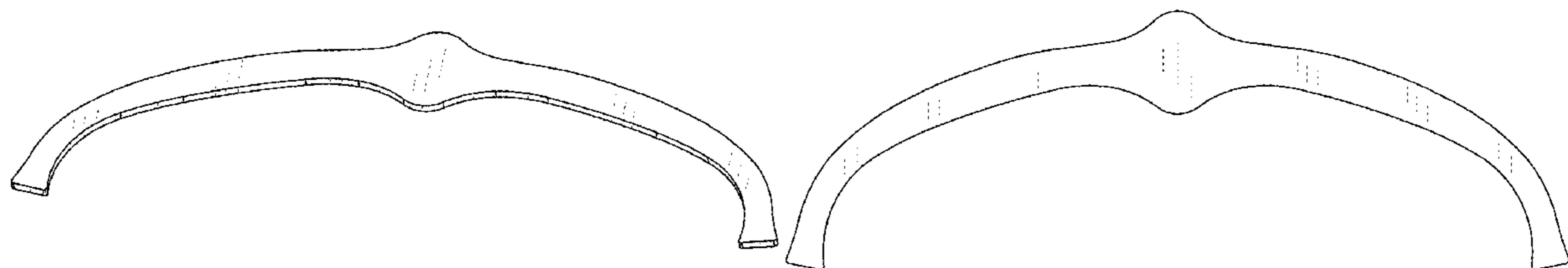
D360,306 S \* 7/1995 Hodzen ..... D6/328  
D427,782 S \* 7/2000 St. L-Morency ..... D6/328  
D586,130 S \* 2/2009 Howard ..... D6/318  
D650,595 S \* 12/2011 Ruminson ..... D6/328  
D793,748 S \* 8/2017 Ascolese ..... D6/328  
D806,409 S \* 1/2018 Schapiro ..... D6/328  
D861,357 S \* 10/2019 Clark ..... D6/318

\* cited by examiner  
*Primary Examiner* — Lauren R Calve  
(74) *Attorney, Agent, or Firm* — Burriss Law, PLLC

(57) **CLAIM**  
The ornamental design for a cushion, as shown and described.

**DESCRIPTION**  
FIG. 1 is a perspective view of a first embodiment of a cushion;  
FIG. 2 is a front elevational view thereof;  
FIG. 3 is a rear elevational view thereof;  
FIG. 4 is a left side view thereof;  
FIG. 5 is a right side view thereof;  
FIG. 6 is a top view thereof;  
FIG. 7 is a bottom view thereof;  
FIG. 8 is a perspective view of a second embodiment of a cushion;  
FIG. 9 is a front elevational view thereof;  
FIG. 10 is a rear elevational view thereof;  
FIG. 11 is a left side view thereof;  
FIG. 12 is a right side view thereof;  
FIG. 13 is a top view thereof; and,  
FIG. 14 is a bottom view thereof.

**1 Claim, 14 Drawing Sheets**



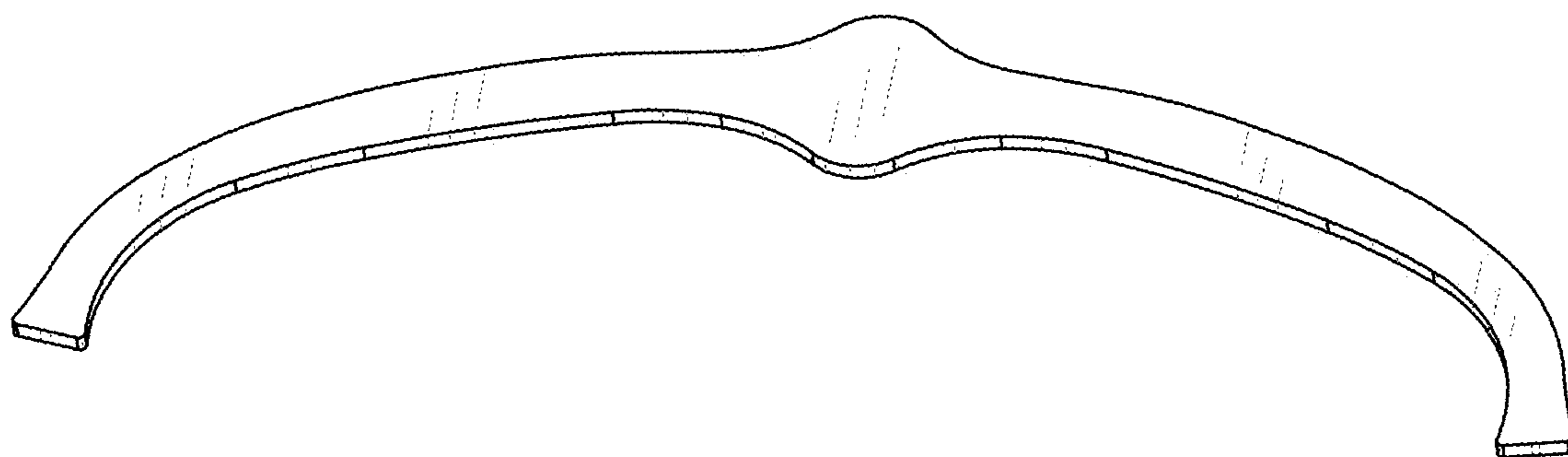


Fig. 1

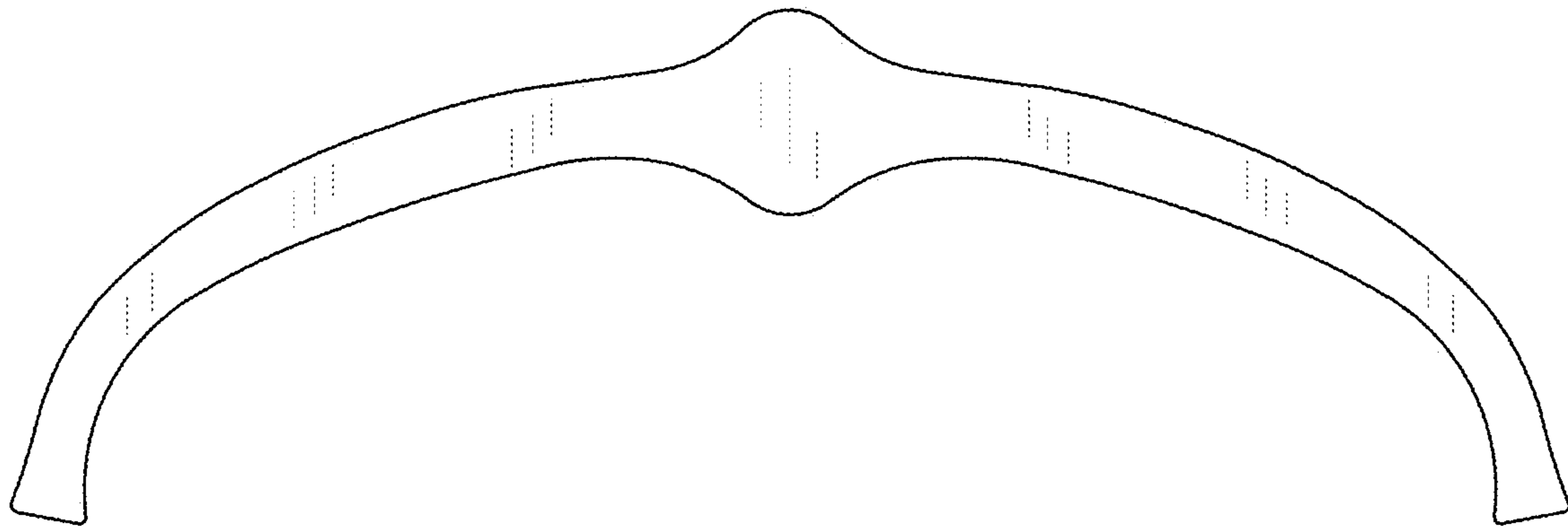


Fig.2

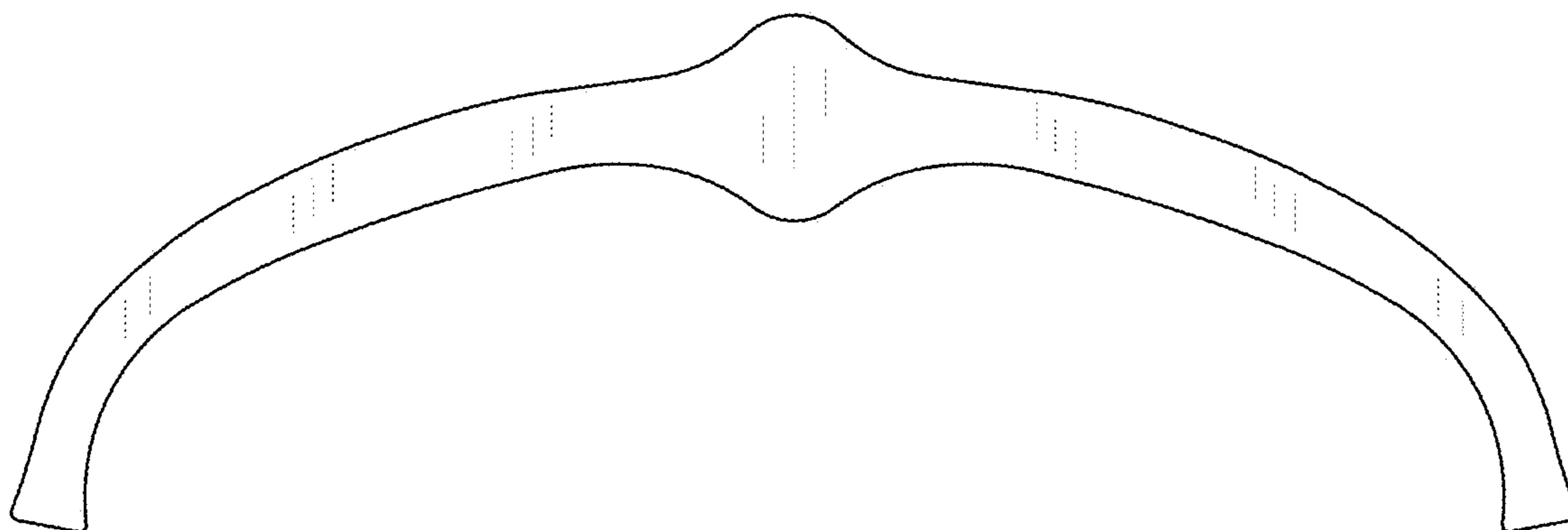


Fig.3



Fig.4



Fig.5

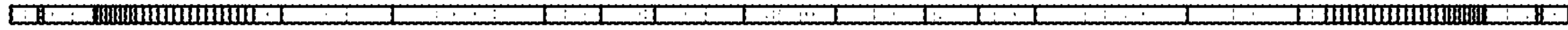


Fig. 6

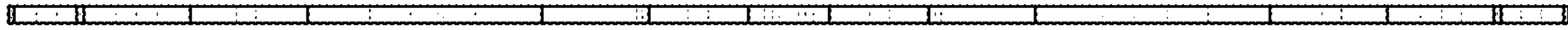


Fig. 7



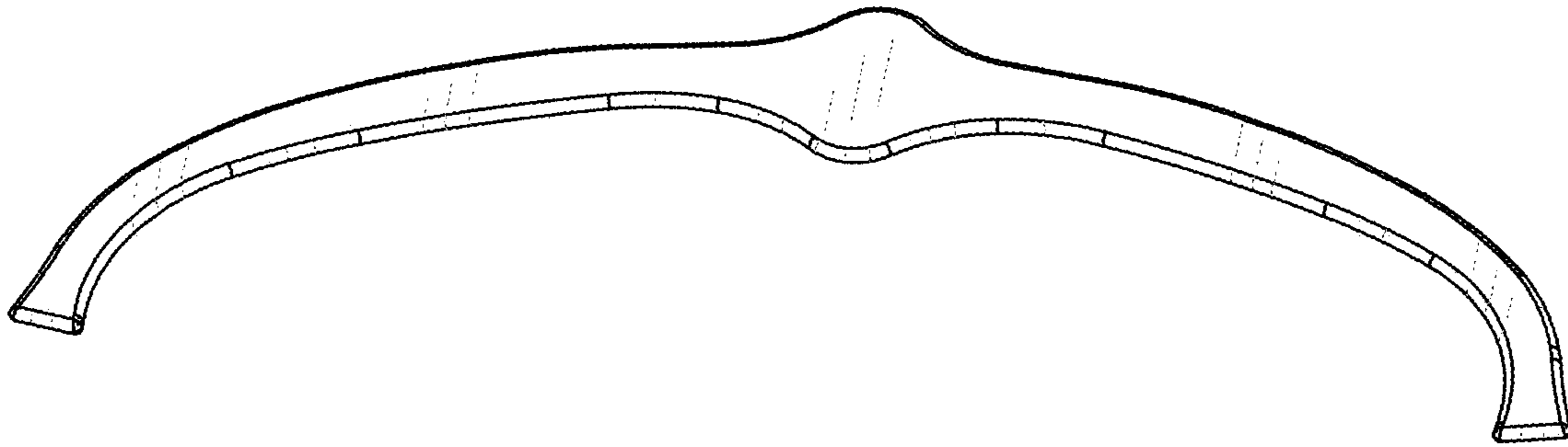


Fig.8

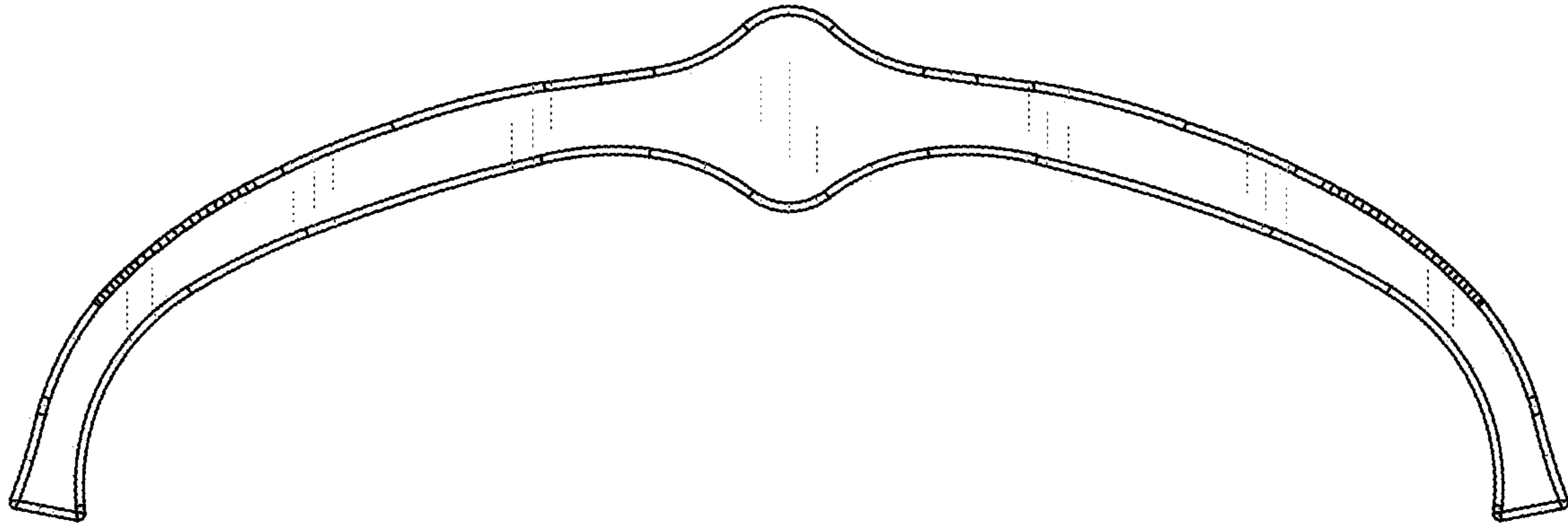


Fig.9

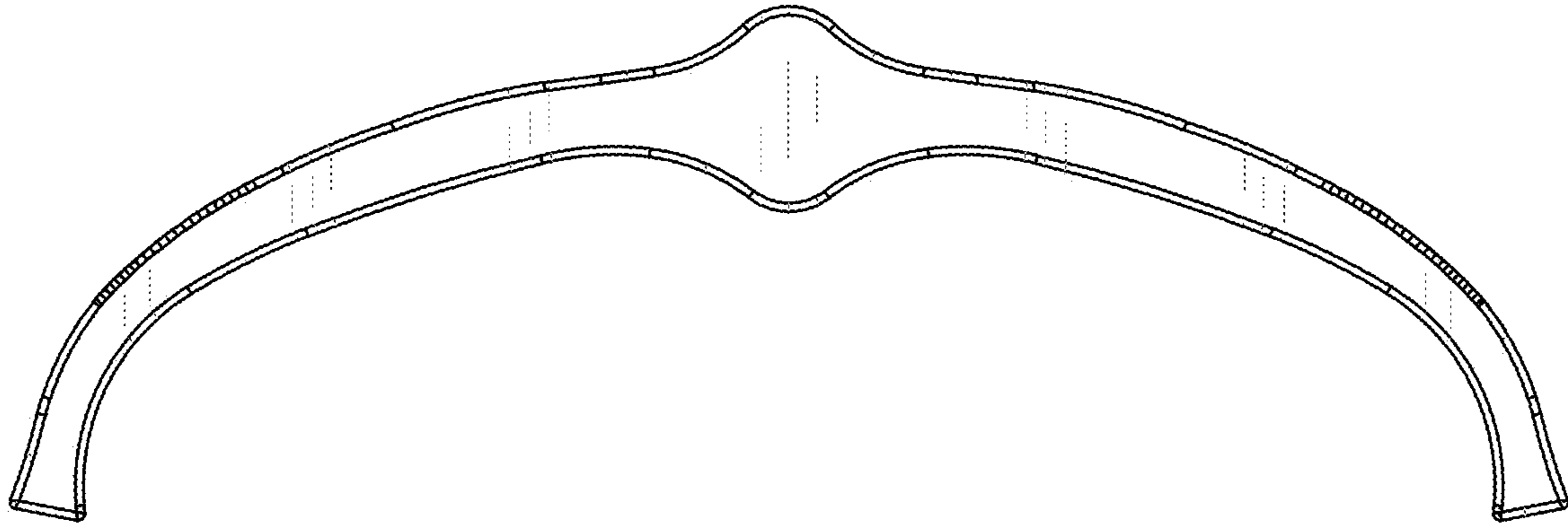


Fig. 10



Fig. 11



Fig. 12

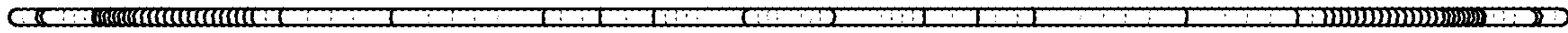


Fig. 13

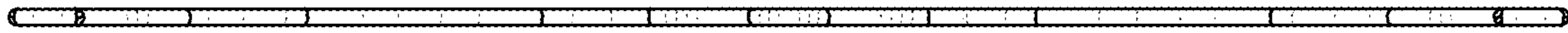


Fig. 14