



US00D946289S

(12) **United States Design Patent**
Taylor

(10) **Patent No.:** **US D946,289 S**
(45) **Date of Patent:** **** Mar. 22, 2022**

(54) **CLOTHES HANGER**

(71) Applicant: **The Janger Limited**, London (GB)

(72) Inventor: **Guy Taylor**, London (GB)

(73) Assignee: **The Janger Limited**, London (GB)

(**) Term: **15 Years**

(21) Appl. No.: **29/743,168**

(22) Filed: **Jul. 20, 2020**

(30) **Foreign Application Priority Data**

Jan. 20, 2020 (EM) 007535281-0001

(51) **LOC (13) Cl.** **06-08**

(52) **U.S. Cl.**
USPC **D6/323**

(58) **Field of Classification Search**
USPC D6/315-328; D8/367
CPC A47G 25/32; A47G 25/28; A47G 25/442;
A47G 25/20; A47G 25/24; A47G
25/1421; A47G 25/1428; A47G 25/06;
A47G 25/52; A47G 25/38; A47G 25/50;
A47G 25/183; A47G 25/70; A47G
25/0607; A47G 2025/448; A47G 25/1414;
A47G 25/0678; A47G 25/44; A47F 7/19;
A47F 5/01; A47F 5/13
See application file for complete search history.

(56) **References Cited**

U.S. PATENT DOCUMENTS

D287,908 S * 1/1987 Fox D6/328
5,626,268 A * 5/1997 Kolton A47G 25/743
223/85
6,299,039 B1 * 10/2001 Hsu A47F 5/0006
223/85
6,497,347 B1 * 12/2002 Feibelman A47G 25/743
223/85

D503,092 S * 3/2005 Feibelman D9/455
D511,087 S * 11/2005 Okamoto D8/354
D534,361 S * 1/2007 Wolf D6/323
D566,405 S * 4/2008 Belokin D6/323
D657,577 S * 4/2012 Coote D6/328
8,651,344 B2 * 2/2014 Norman A47G 25/1407
223/87
D735,027 S * 7/2015 Fildan D9/415
D767,289 S 9/2016 Taylor
D774,317 S 12/2016 Taylor
D779,853 S 2/2017 Taylor
D793,747 S 8/2017 Taylor
D811,755 S 3/2018 Taylor
D827,315 S 9/2018 Taylor et al.
D834,338 S 11/2018 Taylor et al.
D843,120 S 3/2019 Taylor
D860,659 S 9/2019 Taylor
D899,794 S * 10/2020 Shallcross D6/328
2008/0110943 A1 * 5/2008 Kolton A47F 7/12
223/85
2013/0015215 A1 * 1/2013 Coote A47G 25/743
223/85

(Continued)

Primary Examiner — Lauren R Calve
(74) *Attorney, Agent, or Firm* — Renner, Otto, Boisselle & Sklar, LLP

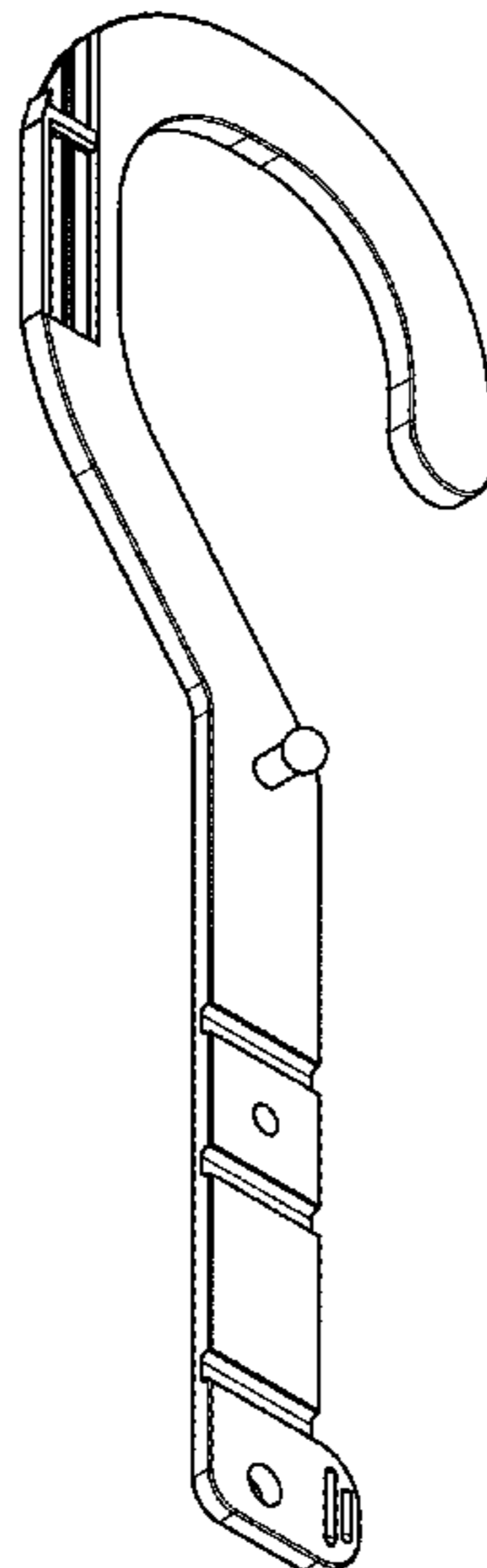
(57) **CLAIM**

The ornamental design for a clothes hanger, as shown and described.

DESCRIPTION

FIG. 1 is a perspective view of a clothes hanger showing my design.
FIG. 2 is a rear view thereof.
FIG. 3 is a front view thereof.
FIG. 4 is a left side view thereof.
FIG. 5 is a right side view thereof.
FIG. 6 is a bottom view thereof; and,
FIG. 7 is a top view thereof.

1 Claim, 7 Drawing Sheets



(56)

References Cited

U.S. PATENT DOCUMENTS

2016/0331170 A1 11/2016 Taylor
2020/0015615 A1 1/2020 Taylor et al.

* cited by examiner

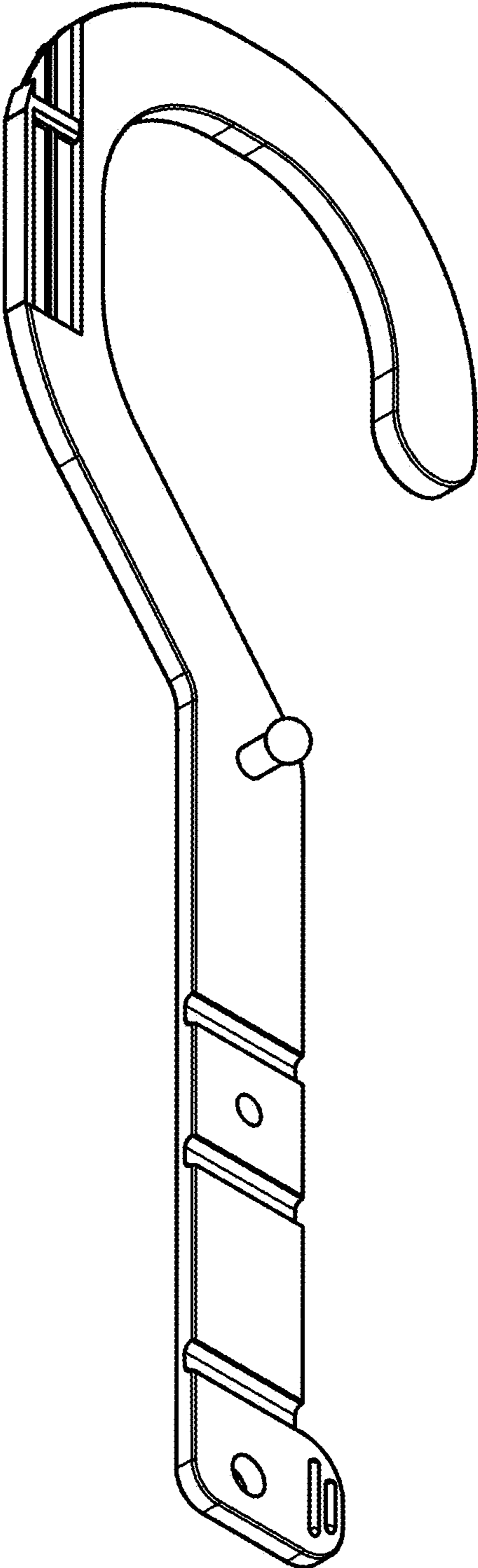


FIG. 1

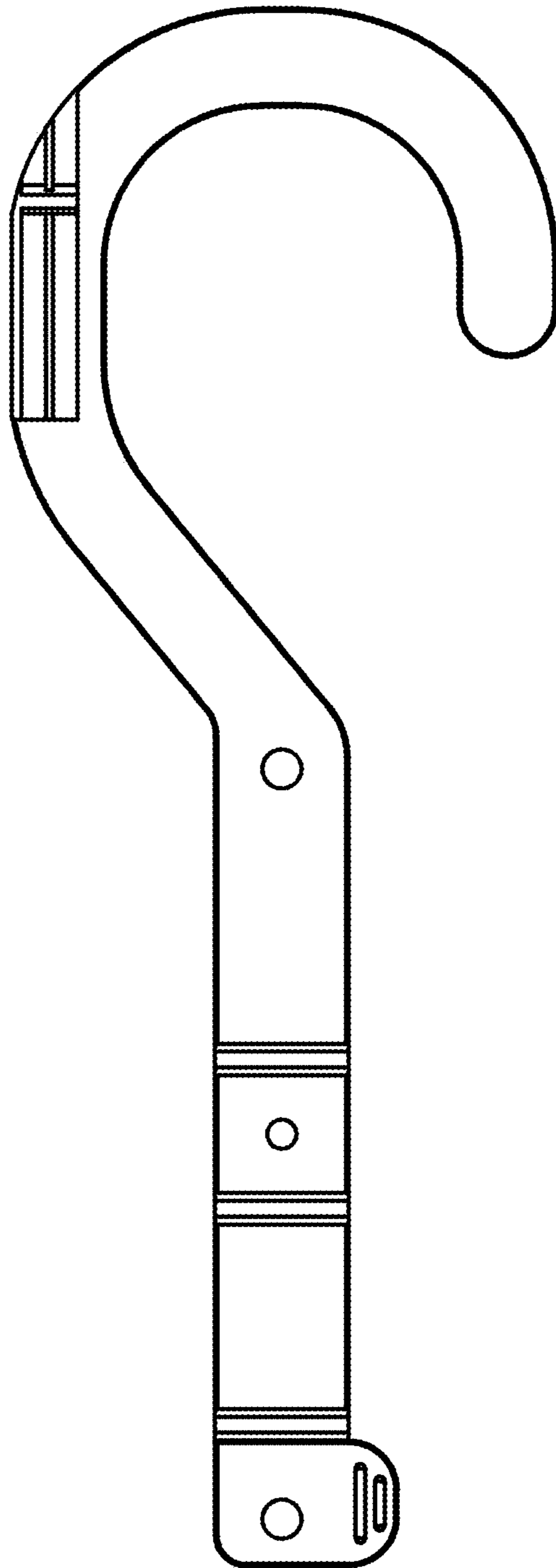


FIG. 2

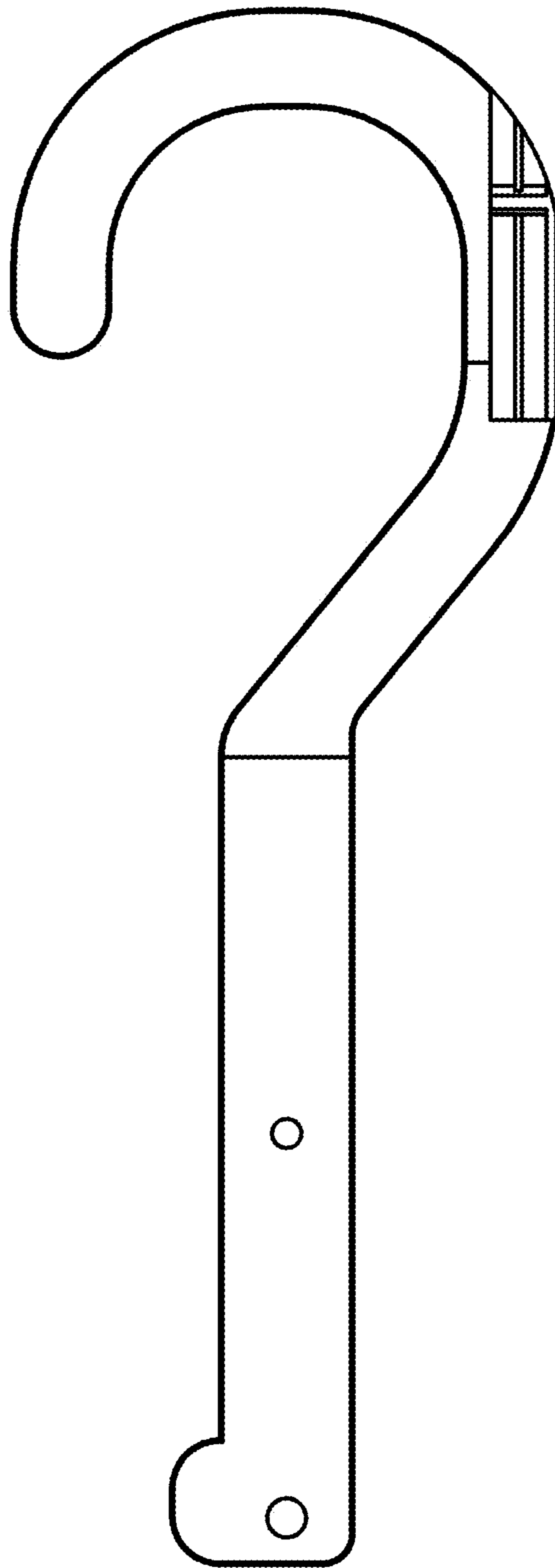


FIG. 3



FIG. 4

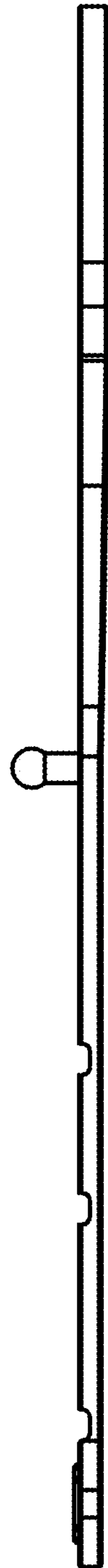


FIG. 5

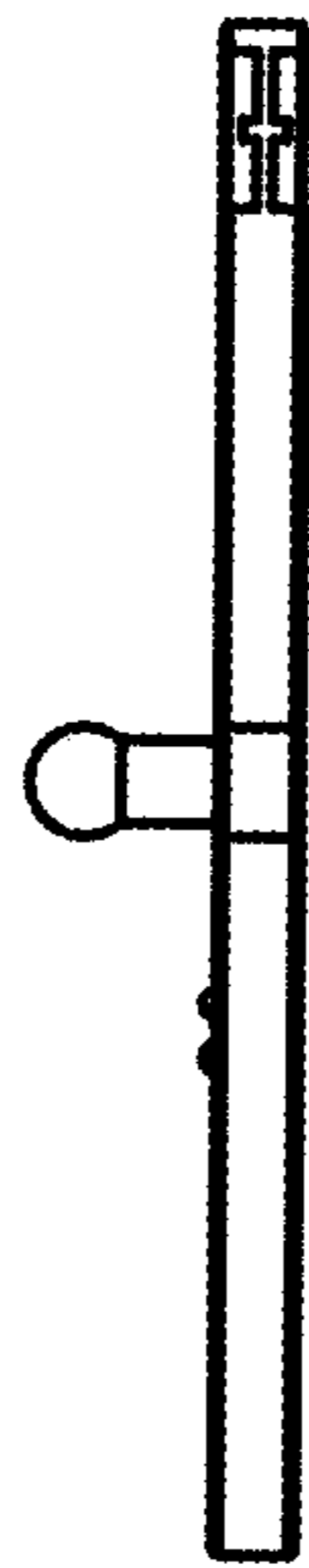


FIG. 6

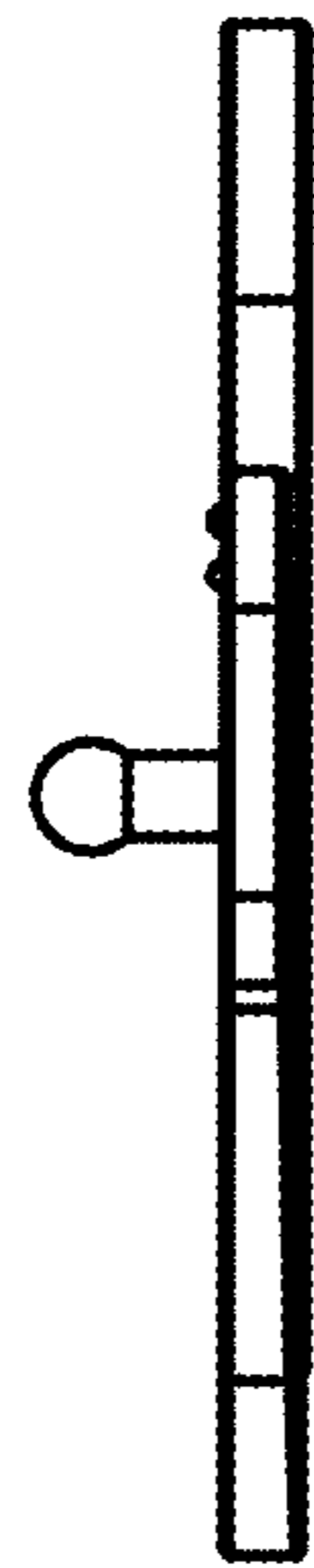


FIG. 7