



US00D946288S

(12) **United States Design Patent**  
**Berger**

(10) **Patent No.:** **US D946,288 S**

(45) **Date of Patent:** **\*\* \*Mar. 22, 2022**

(54) **SECTIONED CLOTHES HANGER**

(71) Applicant: **Andy L. Berger**, Des Plaines, IL (US)

(72) Inventor: **Andy L. Berger**, Des Plaines, IL (US)

(\*) Notice: This patent is subject to a terminal disclaimer.

(\*\*) Term: **15 Years**

(21) Appl. No.: **29/733,440**

(22) Filed: **May 1, 2020**

(51) **LOC (13) Cl.** ..... **06-08**

(52) **U.S. Cl.**  
USPC ..... **D6/319; D6/317**

(58) **Field of Classification Search**  
USPC ..... D6/315-328  
CPC ..... A47G 25/14; A47G 25/28; A47G 25/26;  
A47G 25/30; A47G 25/36; A47G 25/50;  
A47G 25/442; A47G 25/483; A47G  
25/743; A47G 25/4023; A47F 5/0006  
See application file for complete search history.

(56) **References Cited**

**U.S. PATENT DOCUMENTS**

- 2,601,926 A \* 7/1952 Speaker ..... A47G 25/18  
211/113
- D253,448 S \* 11/1979 Salladay ..... D6/319

- D320,699 S \* 10/1991 Beloe ..... D6/317
- D363,185 S \* 10/1995 Thompson ..... D6/315
- D608,099 S \* 1/2010 Mangano ..... D6/319
- D688,473 S \* 8/2013 Cohen ..... D6/319
- D720,545 S 1/2015 Kilpatrick et al.
- D737,583 S \* 9/2015 Li ..... D6/319
- D765,433 S \* 9/2016 Berger ..... D6/319
- D766,600 S \* 9/2016 Barre ..... D6/319
- D860,658 S \* 9/2019 Gargan ..... D6/317

\* cited by examiner

*Primary Examiner* — Lauren R Calve

(57) **CLAIM**

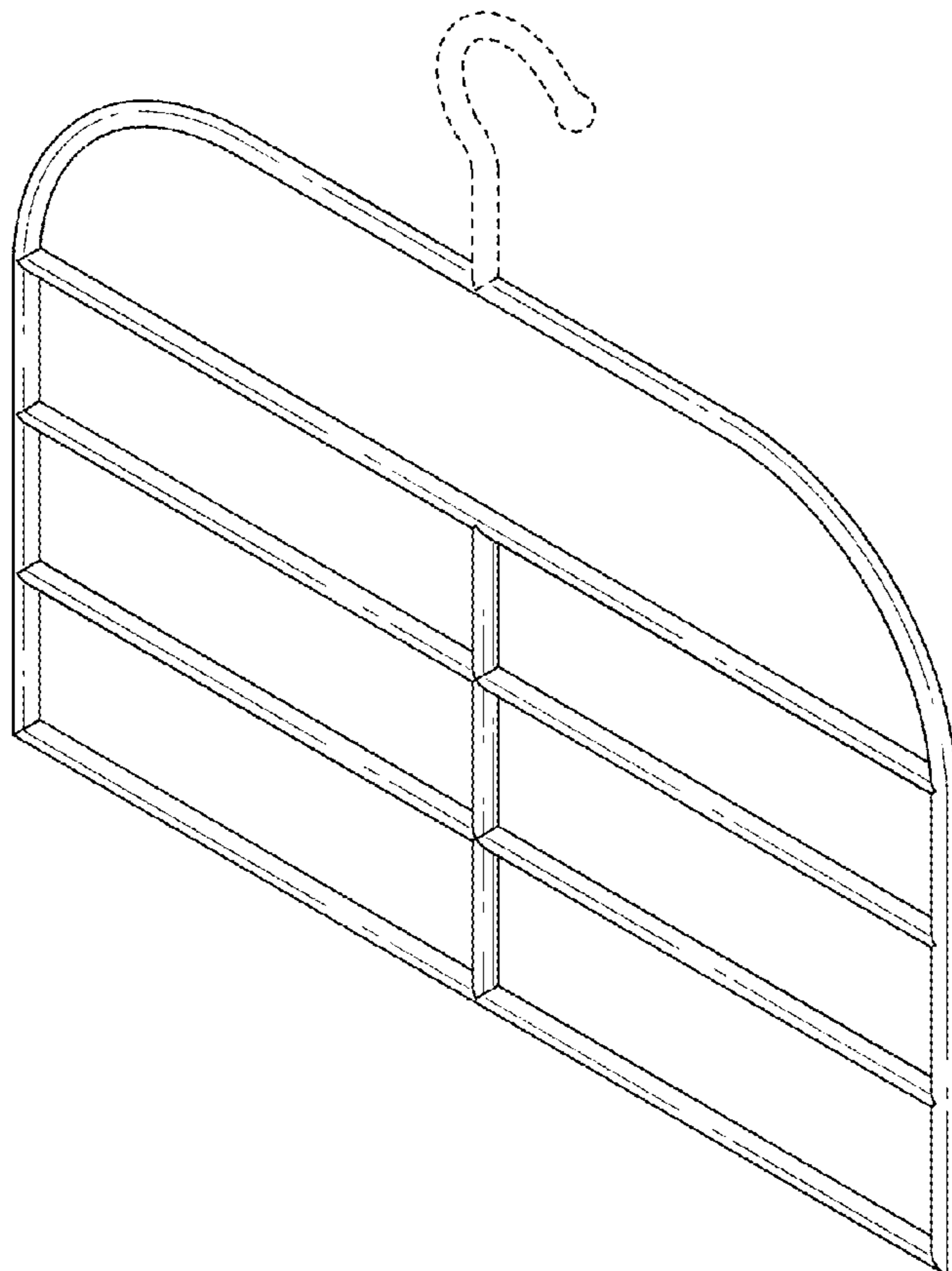
The ornamental design for a sectioned clothes hanger, as shown and described.

**DESCRIPTION**

FIG. 1 is a perspective view of a sectioned clothes hanger showing my new design;  
 FIG. 2 is a rear elevational view thereof;  
 FIG. 3 is a front elevational view thereof;  
 FIG. 4 is a left elevational view thereof;  
 FIG. 5 is a right elevational view thereof;  
 FIG. 6 is a bottom plan view thereof; and,  
 FIG. 7 is a top plan view thereof.

The broken line showing of a hook is included for the purpose of illustrating environmental structure and forms no part of the claimed design.

**1 Claim, 7 Drawing Sheets**



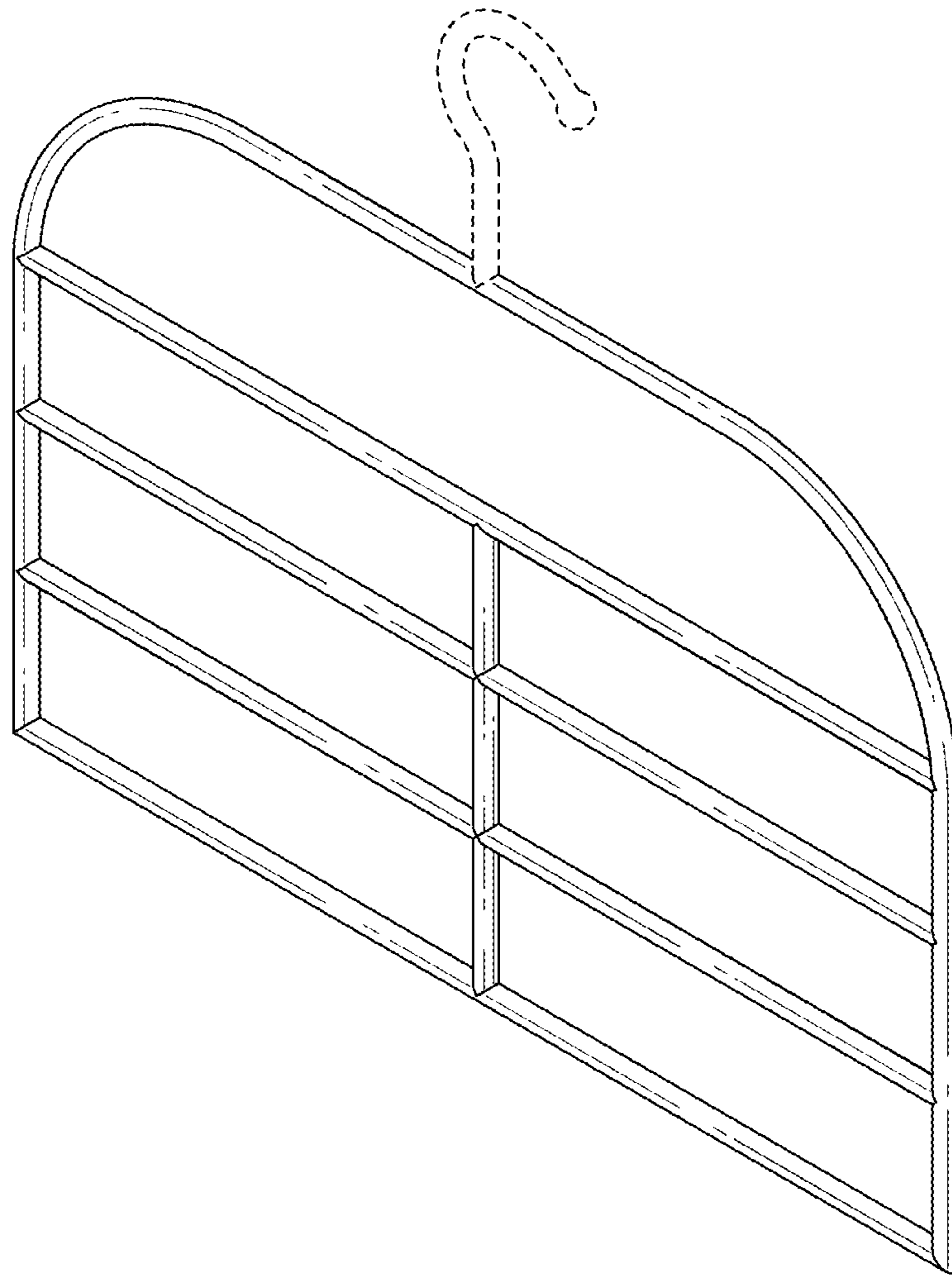


FIG. 1

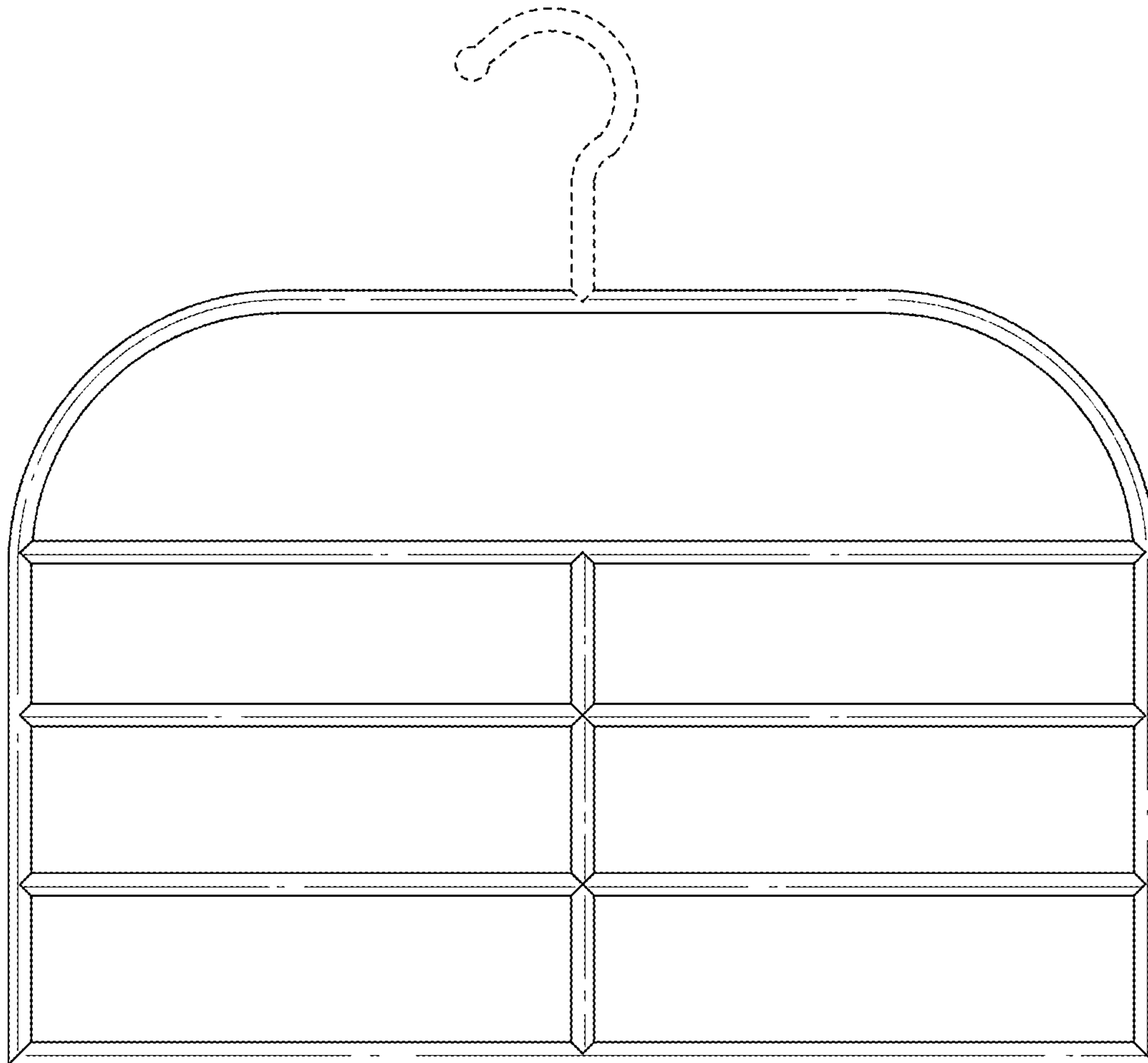


FIG. 2

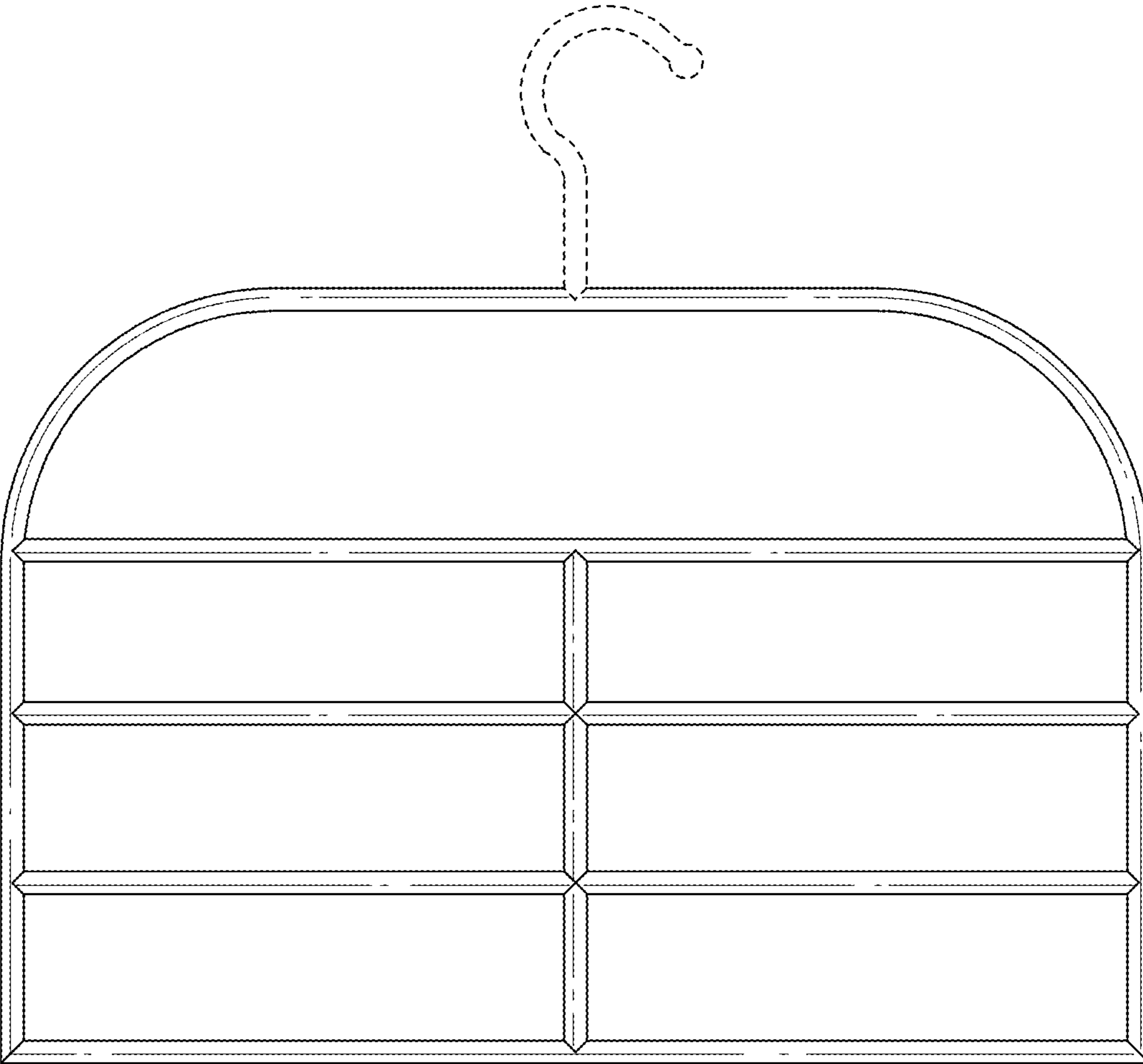


FIG. 3

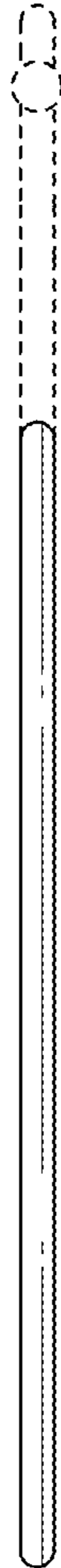


FIG. 4



FIG. 5

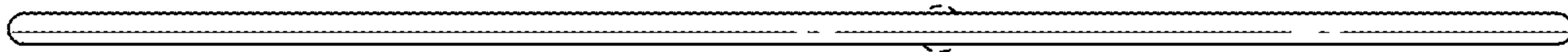


FIG. 6

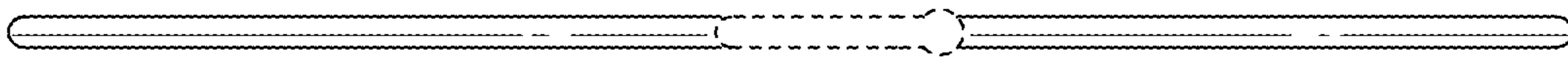


FIG. 7