



US00D946281S

(12) **United States Design Patent** (10) **Patent No.:** **US D946,281 S**
Josifov (45) **Date of Patent:** **** Mar. 22, 2022**

(54) **BACKPACK CLIP**

(71) Applicant: **VISIOPLAN GMBH**, Cologne (DE)

(72) Inventor: **Martin Josifov**, Varna (BG)

(73) Assignee: **VISIOPLAN GMBH**, Cologne (DE)

(**) Term: **15 Years**

(21) Appl. No.: **29/716,656**

(22) Filed: **Dec. 11, 2019**

(51) **LOC (13) Cl.** **03-01**

(52) **U.S. Cl.**
USPC **D3/322**

(58) **Field of Classification Search**
USPC D3/216–217, 272–273, 279, 294, 318,
D3/321, 902, 905, 322; D11/40, 47, 48,
D11/95, 222, 223; D8/387, 388

CPC ... A45F 3/04; A45F 5/02; A45C 13/10; A45C
13/00

See application file for complete search history.

(56) **References Cited**

U.S. PATENT DOCUMENTS

- D59,372 S * 10/1921 Oster D11/223
- 1,779,227 A * 10/1930 Daughaday A44B 3/02
24/114.11
- D140,726 S * 4/1945 Collura D11/226
- D293,883 S * 1/1988 Hirohata D8/382
- D377,919 S * 2/1997 Singer D11/222
- D415,068 S * 10/1999 Calvani D11/222
- D417,636 S * 12/1999 Ambar D11/40
- D484,398 S * 12/2003 Mariconti D8/388
- D485,203 S * 1/2004 Pachachi D11/40
- D623,506 S * 9/2010 Ghatikar D8/382

(Continued)

FOREIGN PATENT DOCUMENTS

EM 005881513-0002 * 12/2018

OTHER PUBLICATIONS

“Scratch/ID”, first available 2019, german-design-award.com, site visited Jun. 24, 2021: <https://www.german-design-award.com/en/the-winners/gallery/detail/22955-scratch-id.html> (Year: 2019).*

Primary Examiner — Jennifer L Watkins

Assistant Examiner — Samantha Lynne Brodowski

(74) *Attorney, Agent, or Firm* — Pauley Erickson & Swanson

(57) **CLAIM**

The ornamental design for a backpack clip, as shown.

DESCRIPTION

The patent or application file contains a least one drawing executed in color. Copies of this patent or patent application publication with color drawing(s) will be provided by the Office upon request and payment of the necessary fee.

FIG. 1 is a perspective view of a backpack clip, according to one embodiment of this invention;

FIG. 2 is a top plan view thereof;

FIG. 3 is a bottom plan view thereof;

FIG. 4 is a side elevation view thereof;

FIG. 5 is the opposite side elevation view of FIG. 4;

FIG. 6 is another side elevation view thereof;

FIG. 7 is the opposite side elevation view of FIG. 6;

FIG. 8 is an in use view thereof, shown in the environment of a backpack;

FIG. 9 is a perspective view of a backpack clip, according to another embodiment of this invention;

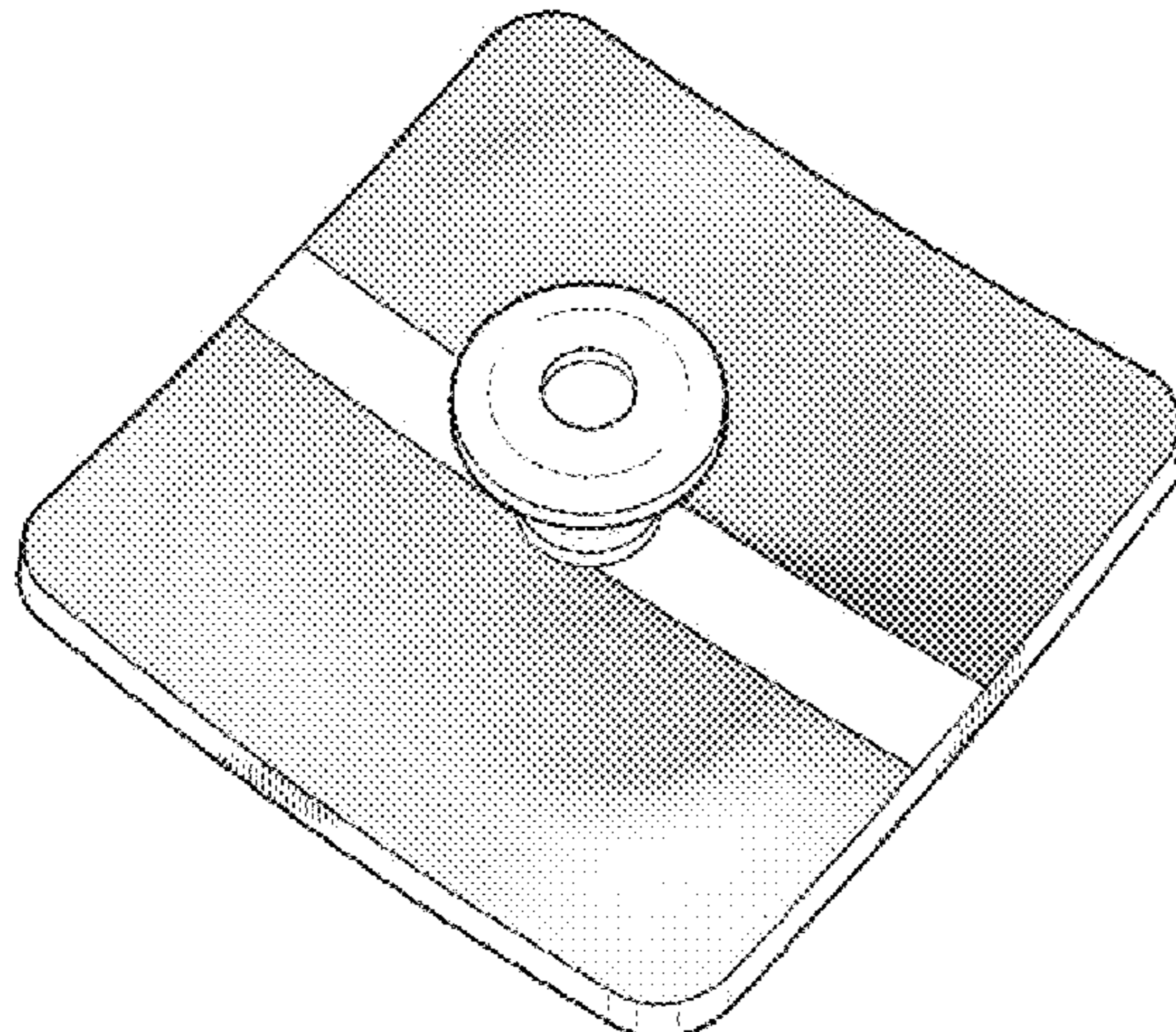
FIG. 10 is a top plan view thereof;

FIG. 11 is a bottom plan view thereof; and,

FIG. 12 is an in use view thereof, shown in the environment of a backpack.

The clip includes a holographic color feature, which appears different at different angles of viewing. The broken lines shown in FIGS. 1, 4, 5, 6, 7, and 9 depict portions of the article and form no part of the claim. The broken line showing of a backpack in FIGS. 8 and 12 depict environment and forms no part of the claim.

1 Claim, 8 Drawing Sheets
(6 of 8 Drawing Sheet(s) Filed in Color)



(56)

References Cited

U.S. PATENT DOCUMENTS

D625,659	S *	10/2010	Sawyer	D11/222
D666,900	S *	9/2012	Ogino	D8/385
D710,086	S *	8/2014	Szewczyk	D3/217
D724,992	S *	3/2015	Bannaka	D11/95
D729,690	S *	5/2015	Riviere	D11/222
D761,158	S *	7/2016	Riviere	D11/222
D803,037	S *	11/2017	Maloney	D8/382
D843,107	S *	3/2019	Swaggart	D3/217
D883,852	S *	5/2020	Miles	D11/113
D902,597	S *	11/2020	Amat	D3/322
D905,963	S *	12/2020	Amat	D3/322
D917,159	S *	4/2021	Burkett	D3/217
2014/0151424	A1 *	6/2014	Hexels	A45F 3/06 224/637
2015/0104272	A1 *	4/2015	Ishizaka	F16B 19/004 411/510
2017/0051780	A1 *	2/2017	Dickinson	F16B 5/0657

* cited by examiner

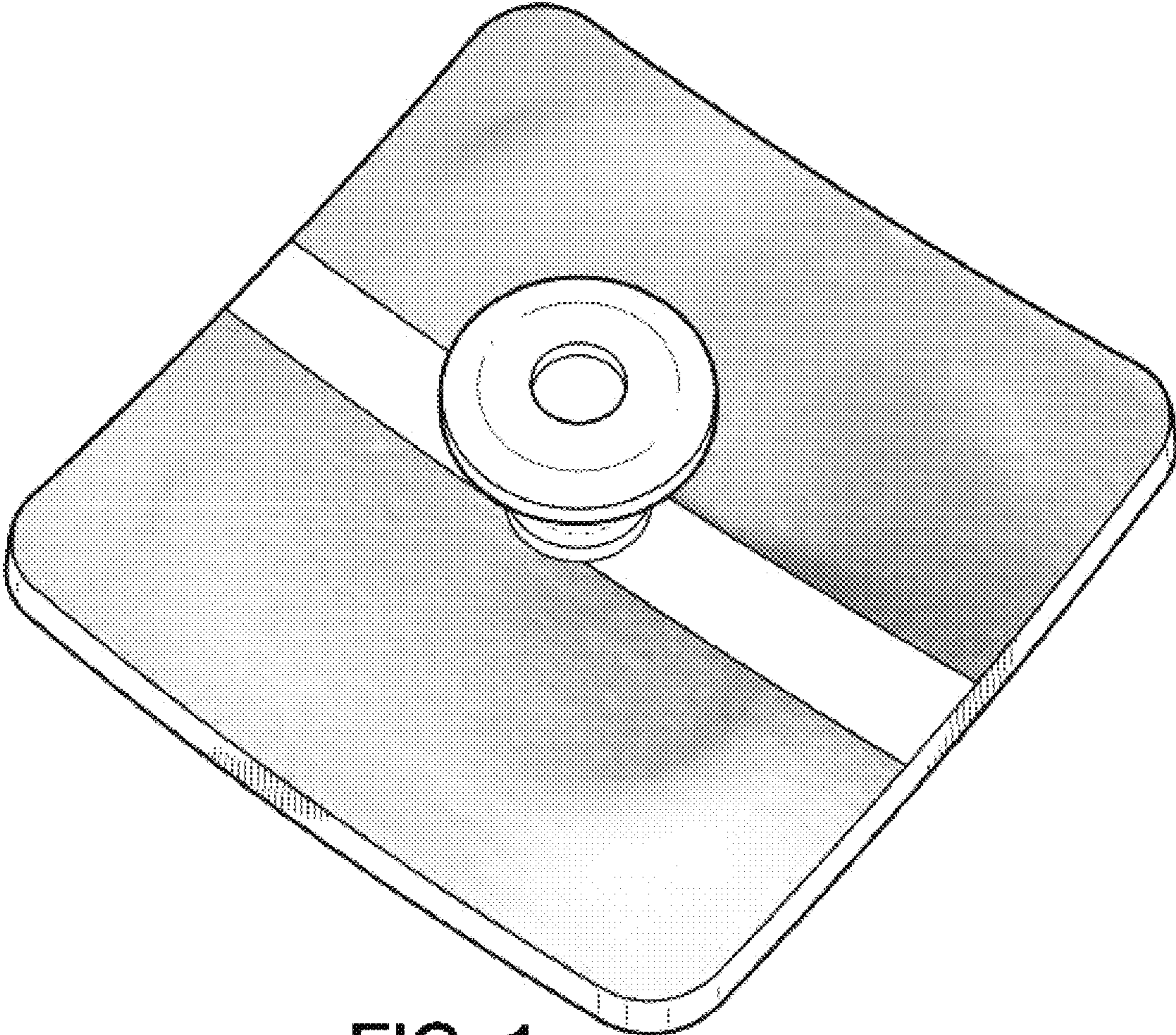


FIG. 1

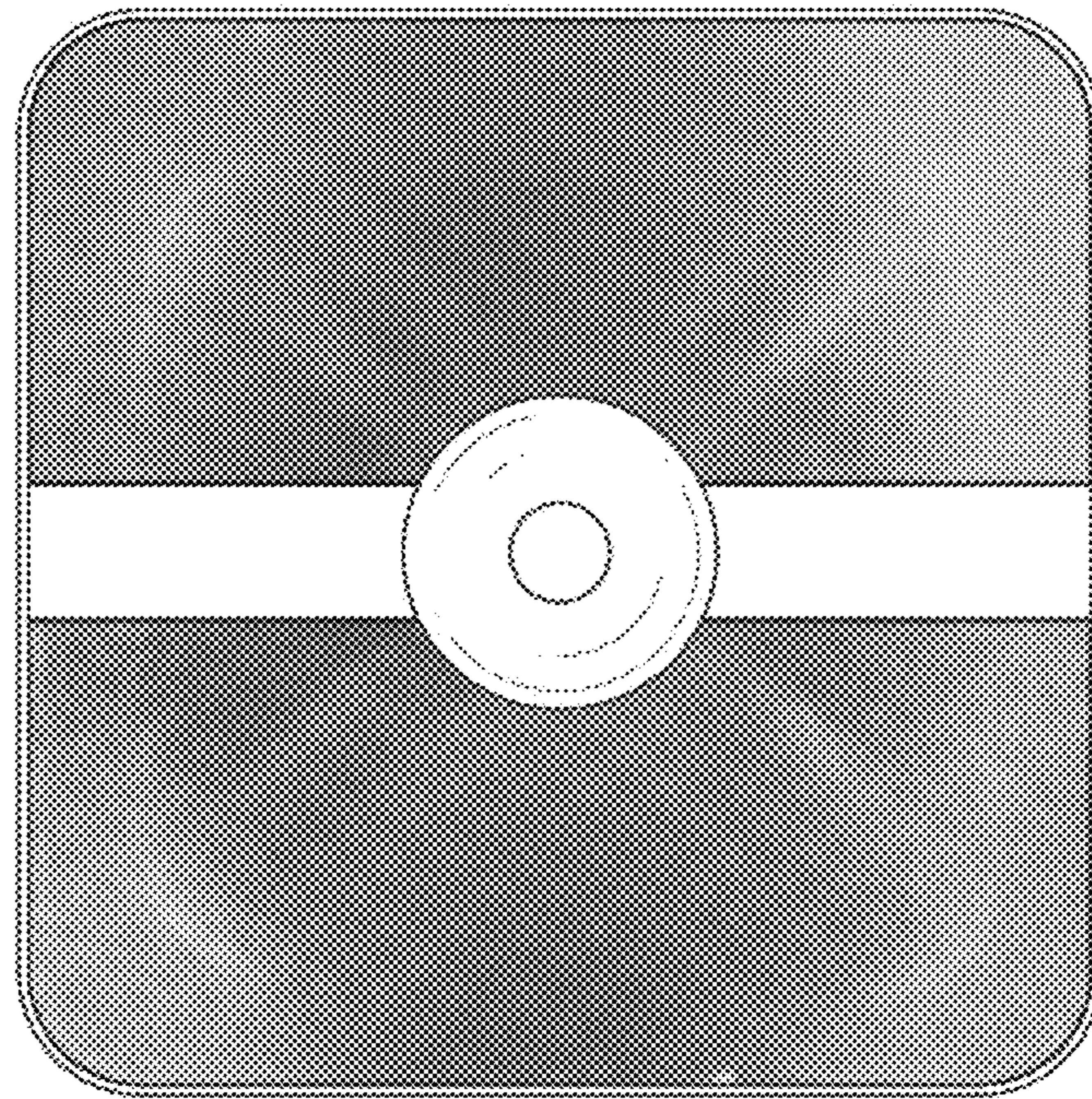


FIG. 2

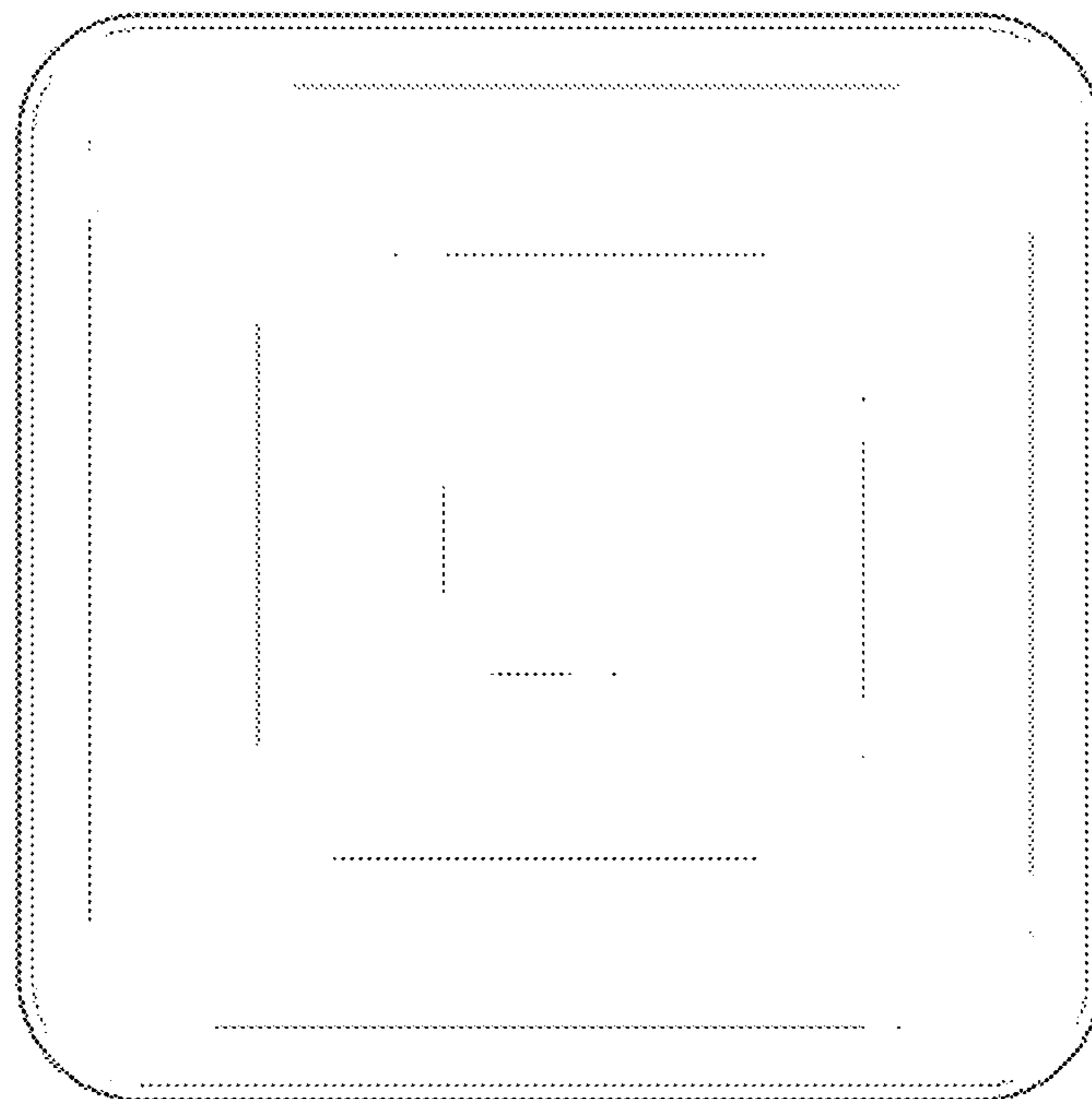


FIG. 3

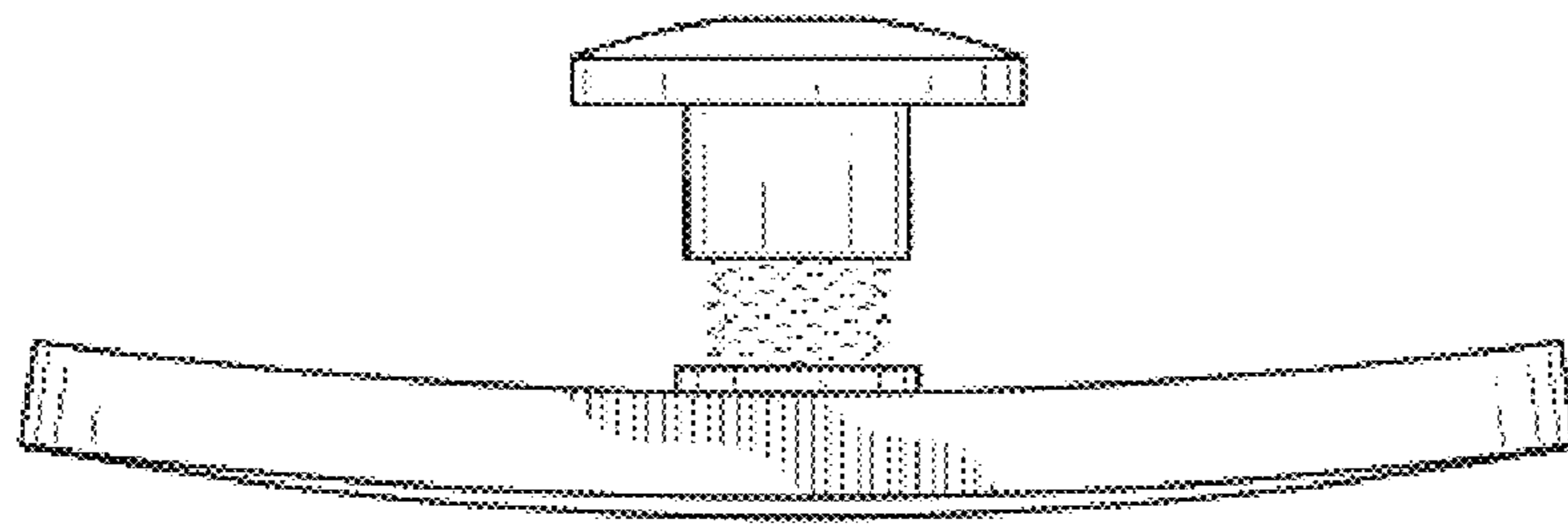


FIG. 4

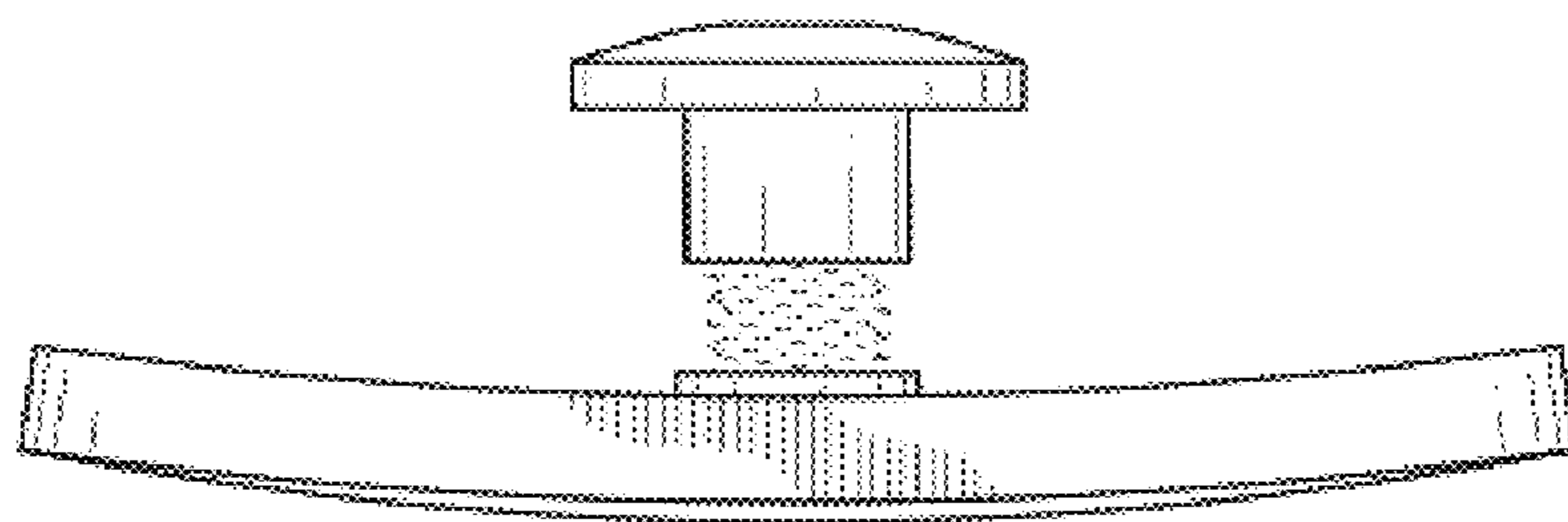


FIG. 5

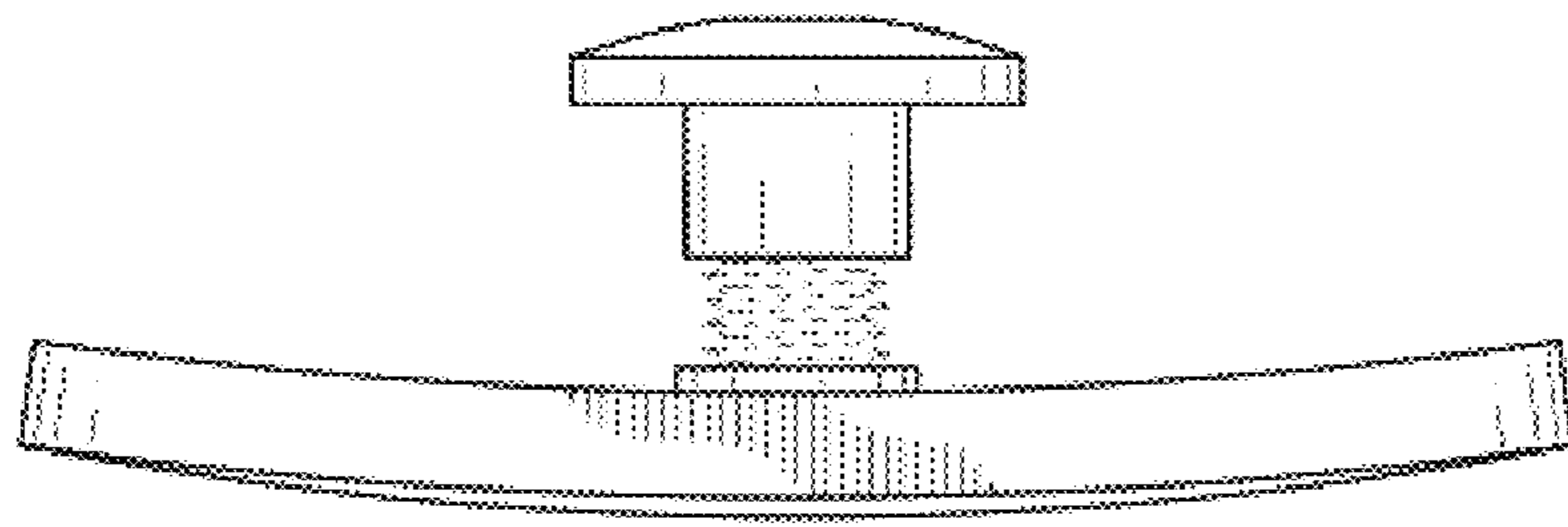


FIG. 6

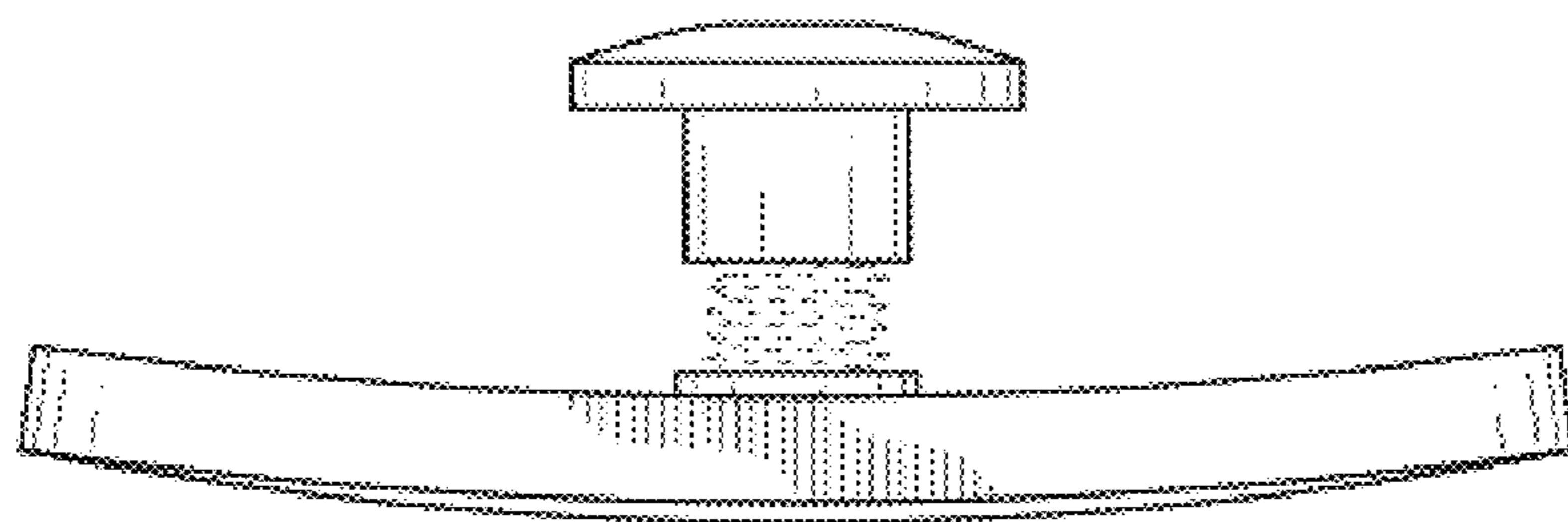


FIG. 7

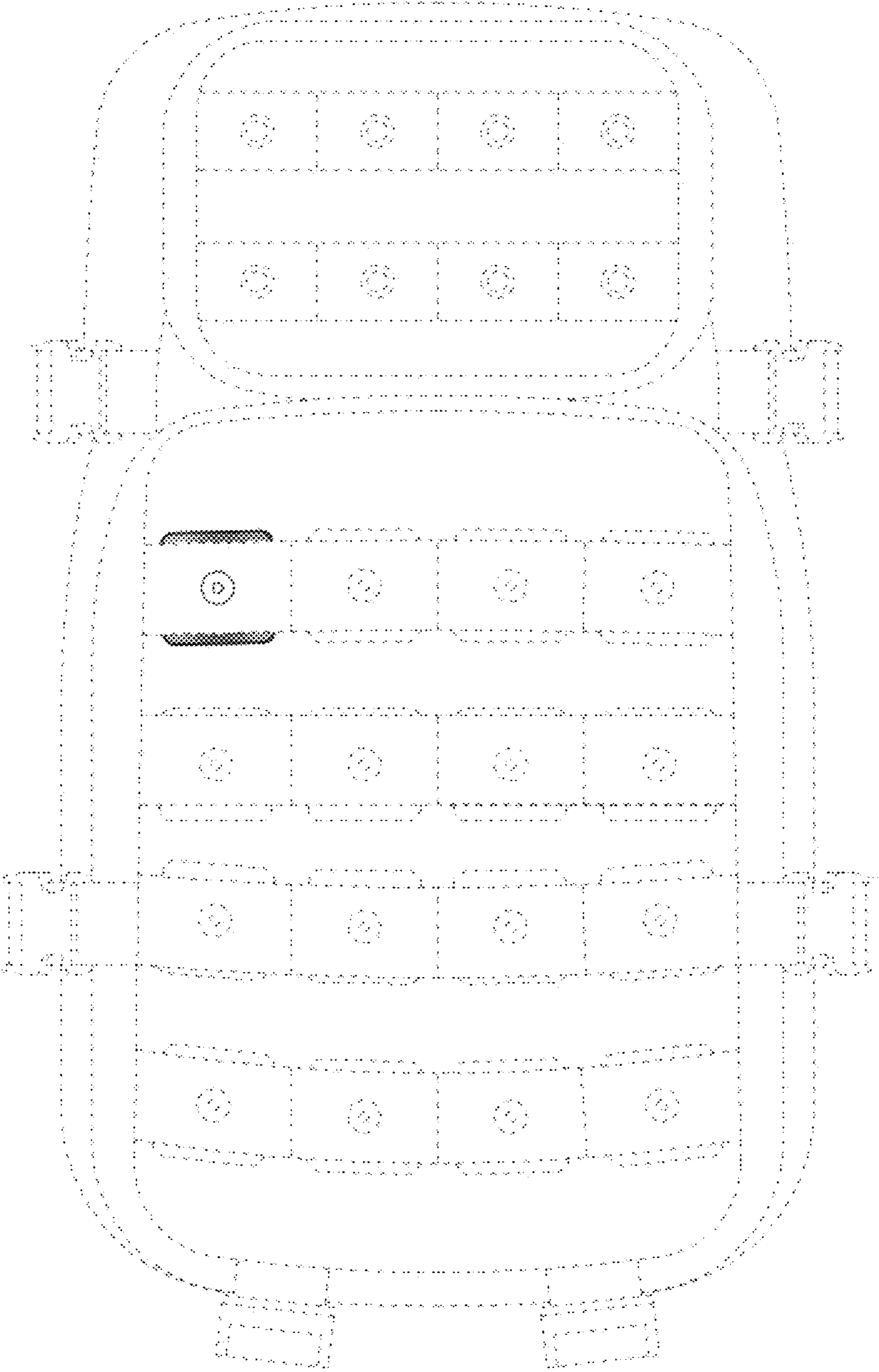


FIG. 8

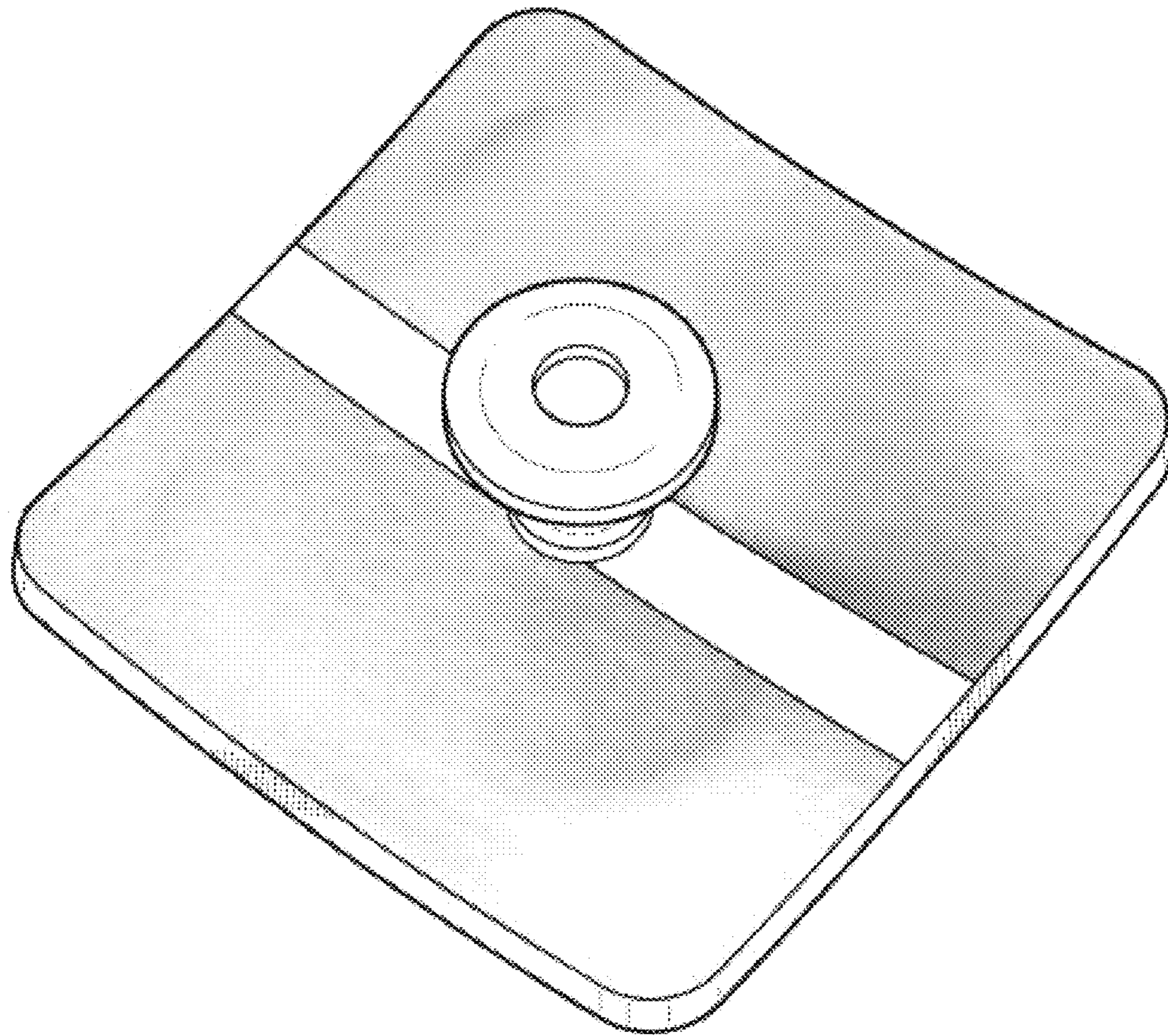


FIG. 9

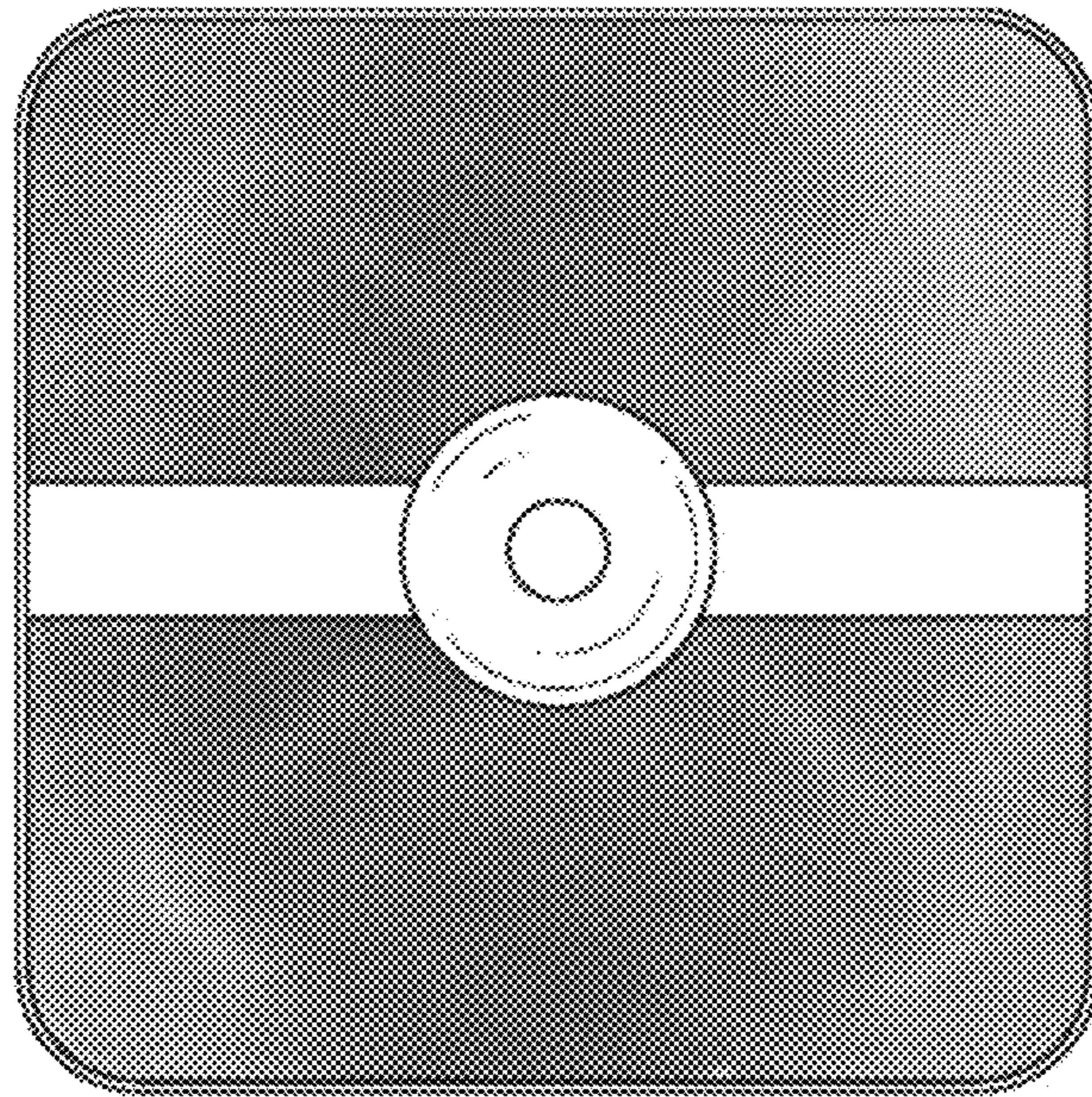


FIG. 10

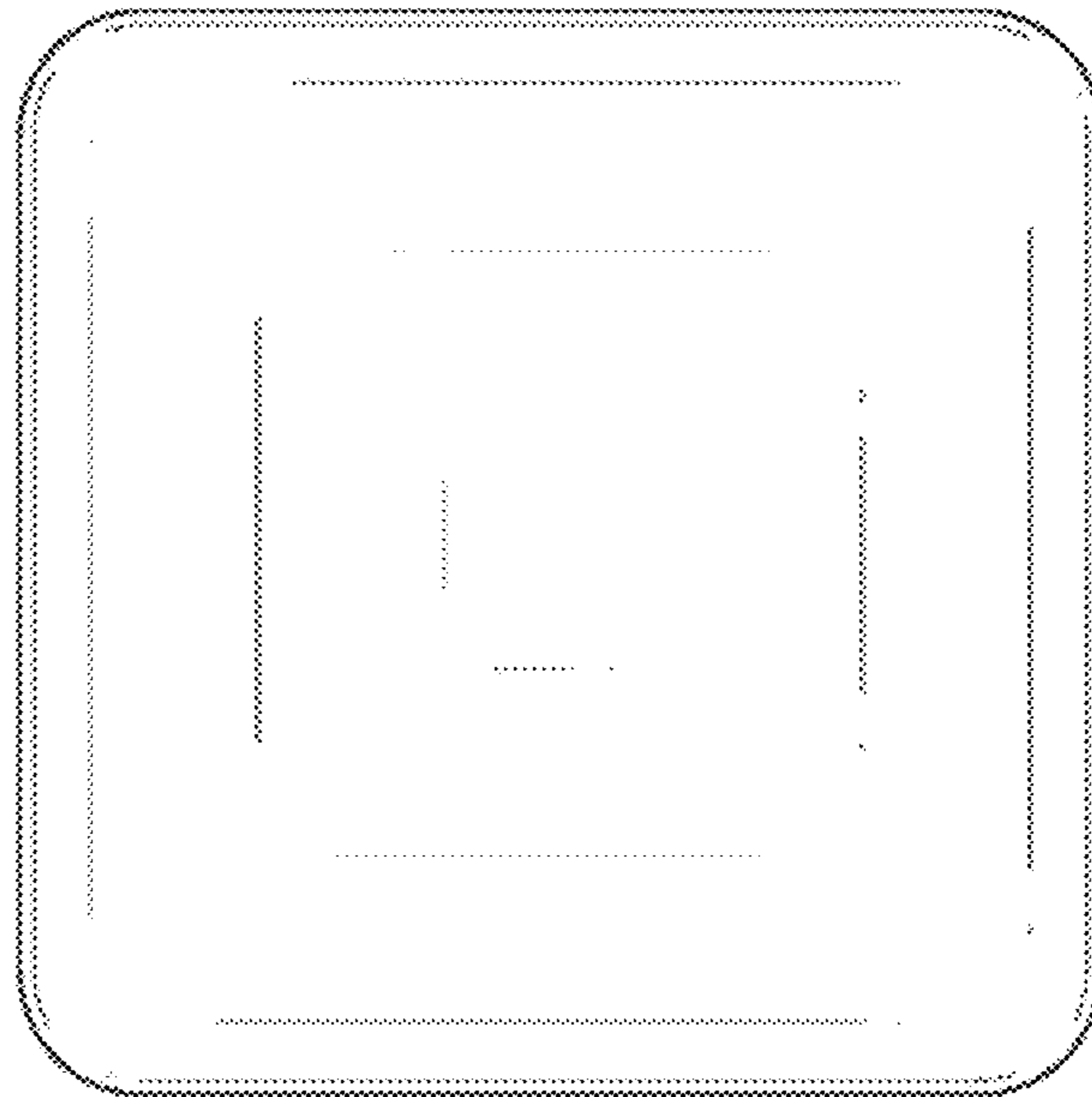


FIG. 11

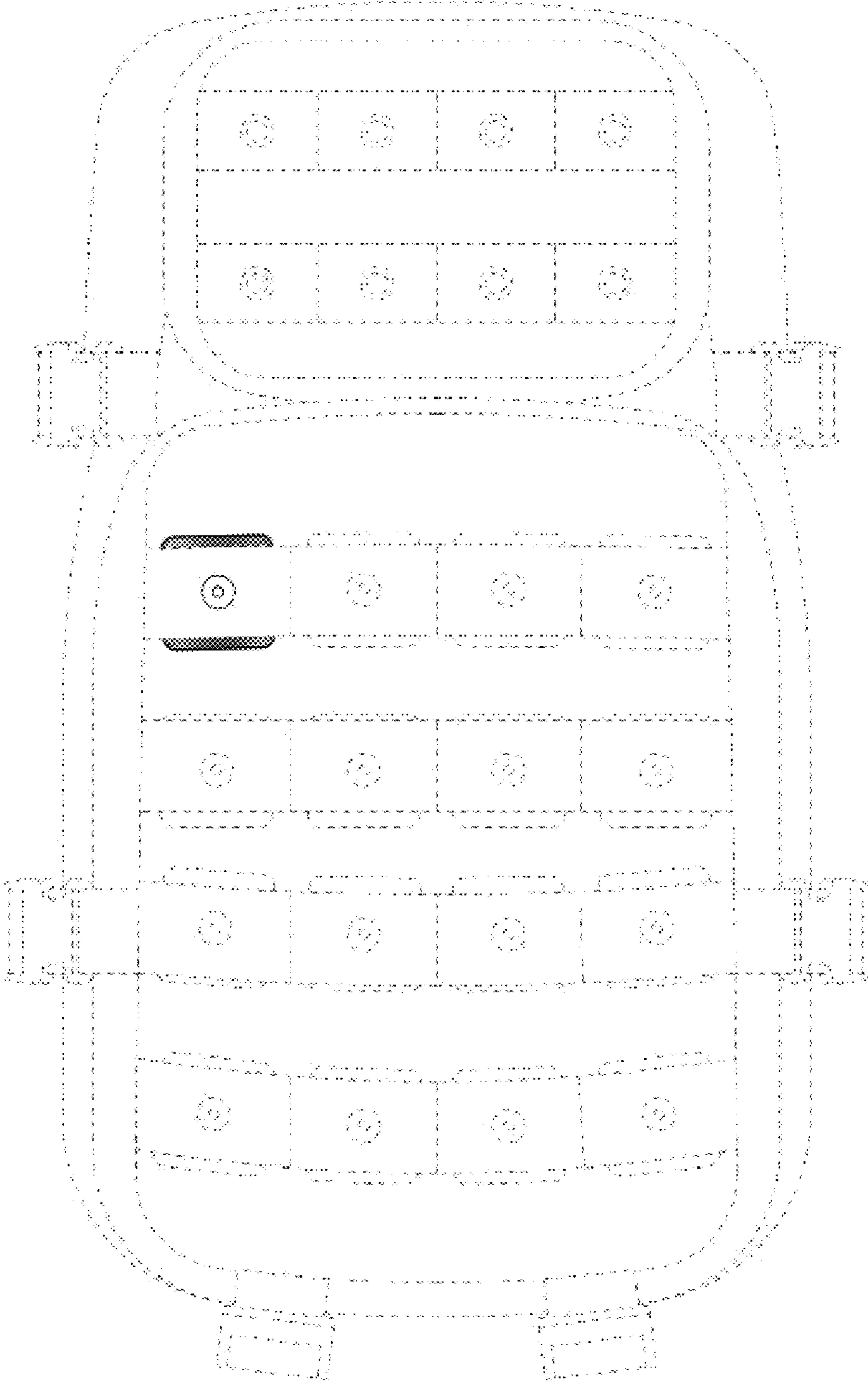


FIG. 12