



US00D946278S

(12) **United States Design Patent** (10) **Patent No.:** **US D946,278 S**  
**Mo** (45) **Date of Patent:** **\*\* Mar. 22, 2022**

(54) **BAG**  
(71) Applicant: **DONGGUAN YIYUAN INDUSTRIAL CO., LTD.**, Dongguan (CN)

D566,393 S \* 4/2008 Kidakarn ..... D3/283  
D778,049 S \* 2/2017 Kogelnik ..... D3/274  
D869,159 S 12/2019 Li  
D893,183 S \* 8/2020 Eisenhardt ..... D3/283  
(Continued)

(72) Inventor: **Wei'An Mo**, Dongguan (CN)  
(73) Assignee: **DONGGUAN YIYUAN INDUSTRIAL CO., LTD.**, Dongguan (CN)

**OTHER PUBLICATIONS**

DX, "Nylon PS4 Carrying Case . . .", First reviewed Apr. 26, 2019. (<https://www.dx.com/p/nylon-ps4-carrying-case-waterproof-protective-shoulder-bag-for-play-station-4-and-accessories-2609687.html#.Yd8xtvnMLmE>) (Year: 2019).\*

(\*\*) Term: **15 Years**  
(21) Appl. No.: **29/777,930**

(Continued)

*Primary Examiner* — April Rivas

(22) Filed: **Apr. 9, 2021**

(57) **CLAIM**

The ornamental design for a bag, as shown and described.

(30) **Foreign Application Priority Data**

**DESCRIPTION**

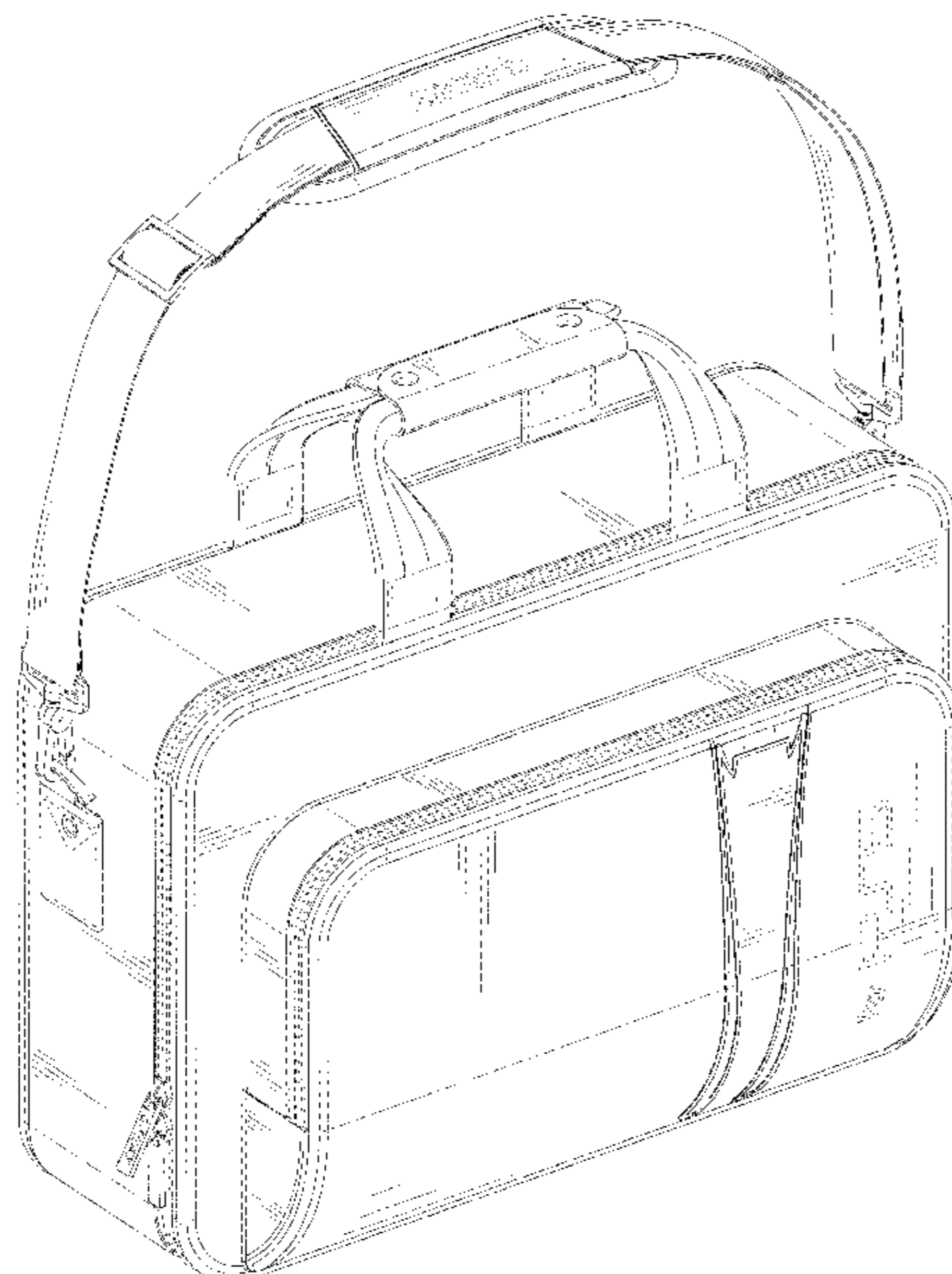
Dec. 8, 2020 (CN) ..... 202030754370.0  
(51) **LOC (13) Cl.** ..... **03-01**  
(52) **U.S. Cl.**  
USPC ..... **D3/287; D3/289**  
(58) **Field of Classification Search**  
USPC ..... D3/226, 273, 276, 285, 286, 289, 301,  
D3/217, 290, 231, 204, 299, 218, 232,  
D3/246, 287  
CPC ..... A45C 2013/026; A45C 11/00; A45C  
2003/008; A45C 3/02; A45F 3/04  
See application file for complete search history.

FIG. 1 is a perspective view of a bag showing my new design;  
FIG. 2 is another perspective view thereof;  
FIG. 3 is a front elevational view thereof;  
FIG. 4 is a rear elevational view thereof;  
FIG. 5 is a left side elevational view thereof;  
FIG. 6 is a right side elevational view thereof;  
FIG. 7 is a top plan view thereof;  
FIG. 8 is a bottom plan view thereof;  
FIG. 9 is a perspective view of the bag where the bag is in a configuration of use; and,  
FIG. 10 is an enlarged view of portion 10 shown in FIG. 2.  
The broken lines in the drawings depict portions of the bag that form no part of the claimed design. The "G-Story" logo forming no part of the claimed design is a registered trademark of Dong Guan City Vilsun Electronics Co., Ltd limited company. The "PS5" logo forming no part of the claimed design is a registered trademark of Sony Interactive Entertainment Inc. Corporation.

(56) **References Cited**  
U.S. PATENT DOCUMENTS

D338,104 S \* 8/1993 Lee ..... D3/287  
D340,356 S \* 10/1993 Hughes ..... D3/283  
D441,533 S \* 5/2001 Tawil ..... D3/276  
D468,101 S \* 1/2003 Hassett ..... D3/283  
D474,601 S \* 5/2003 Li ..... D3/285  
D505,012 S \* 5/2005 Godshaw ..... D3/287

**1 Claim, 10 Drawing Sheets**



(56)

**References Cited**

U.S. PATENT DOCUMENTS

D895,275 S	9/2020	Zhang	
D906,672 S *	1/2021	Wu .....	D3/287
D911,703 S *	3/2021	Yang .....	D3/262
D937,576 S *	12/2021	Thibadeau .....	D3/283
2003/0029755 A1 *	2/2003	Ho .....	A45C 3/02 206/320

OTHER PUBLICATIONS

Amazon, "G-Story Case Storage Bag for PS5 . . . ", First on sale Dec. 2, 2020. (<https://www.amazon.com/G-STORY-Compatible-Playstation-Controller-Protector/dp/B08PFLDGDK/>) (Year: 2020).\*

Amazon, "Yudeg PS5 Carrying Case Protective Travel Case for Playstation 5". First on sale Dec. 10, 2020. (<https://www.amazon.com/dp/B08Q7NG8BK/>) (Year: 2020).\*

\* cited by examiner

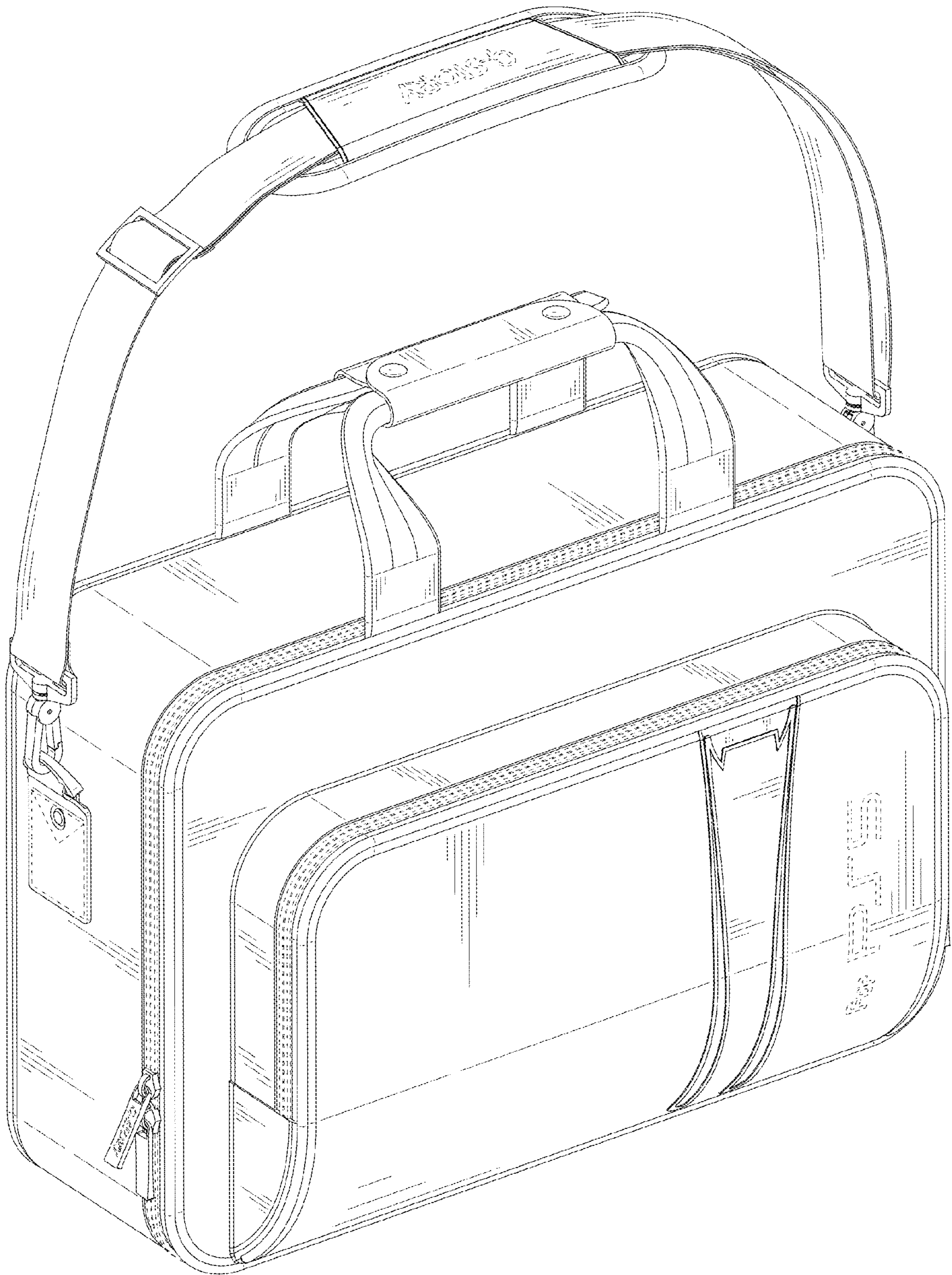


FIG. 1



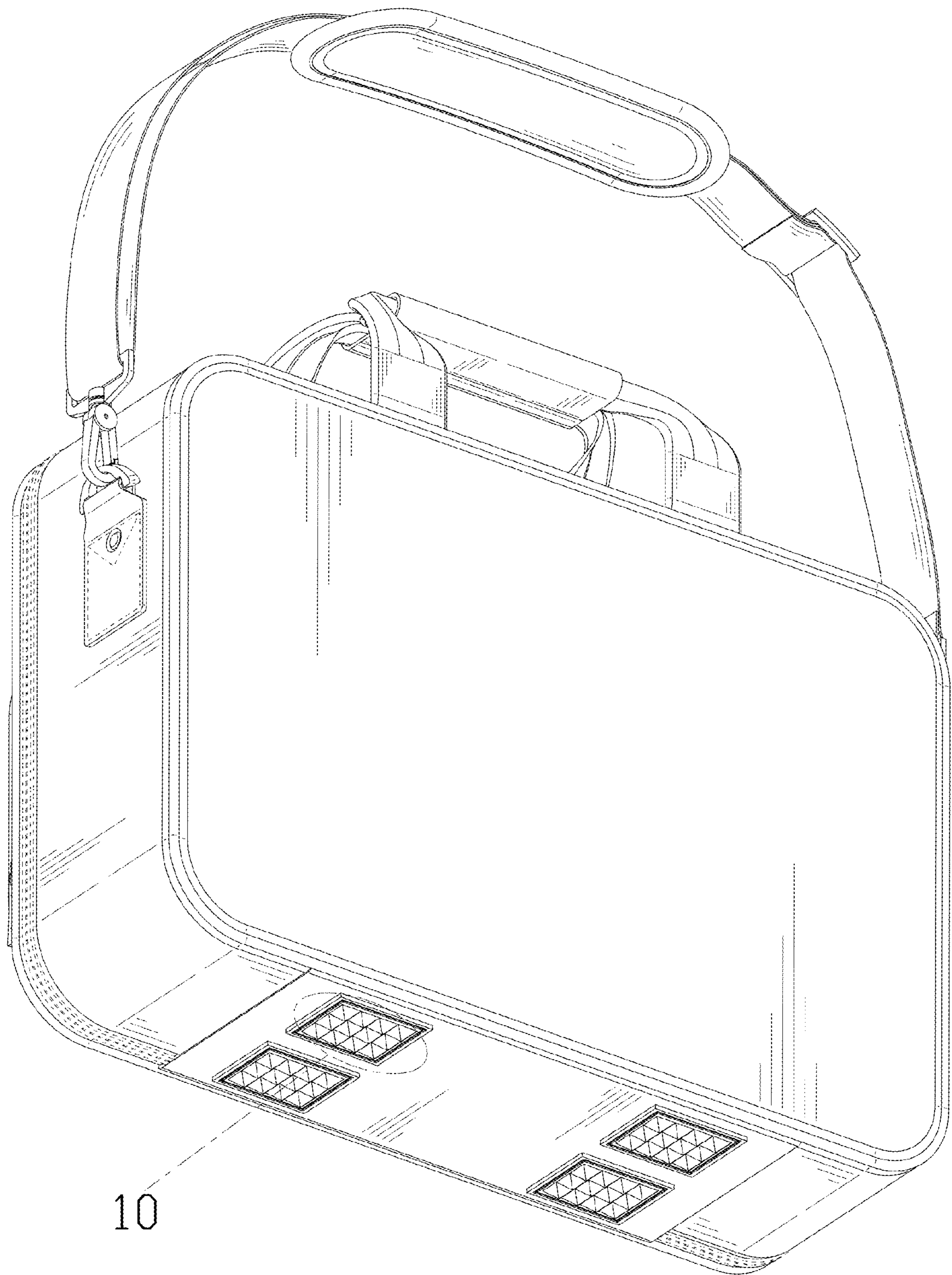


FIG. 2



FIG. 3



FIG. 4

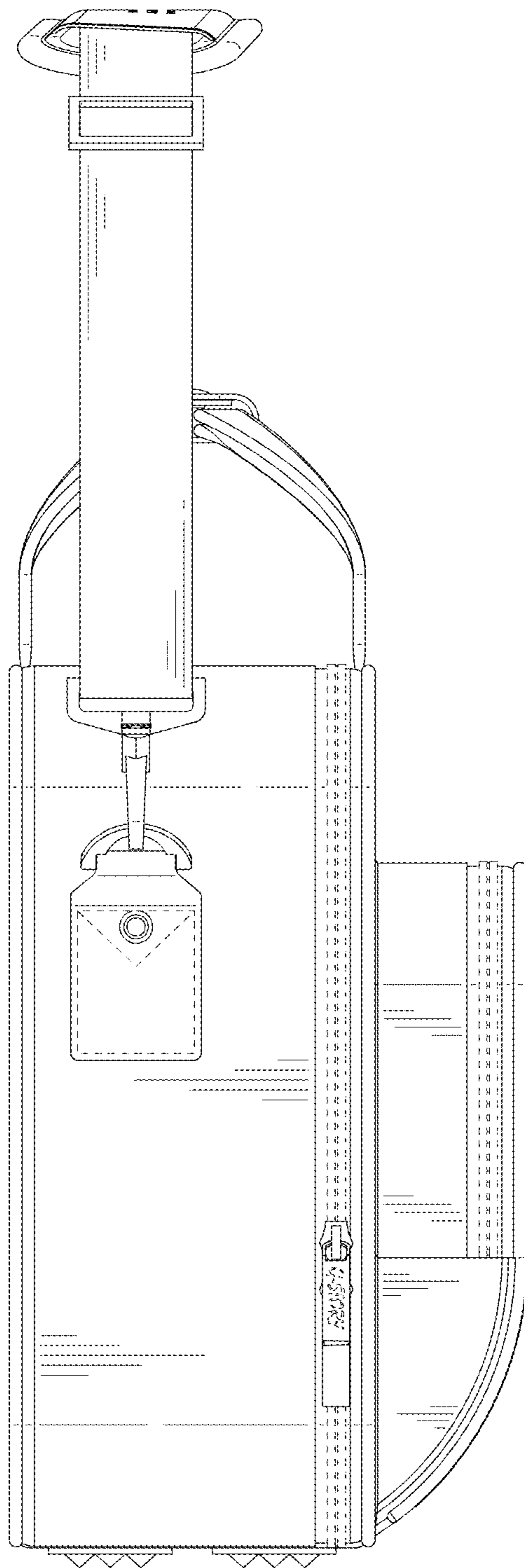


FIG. 5

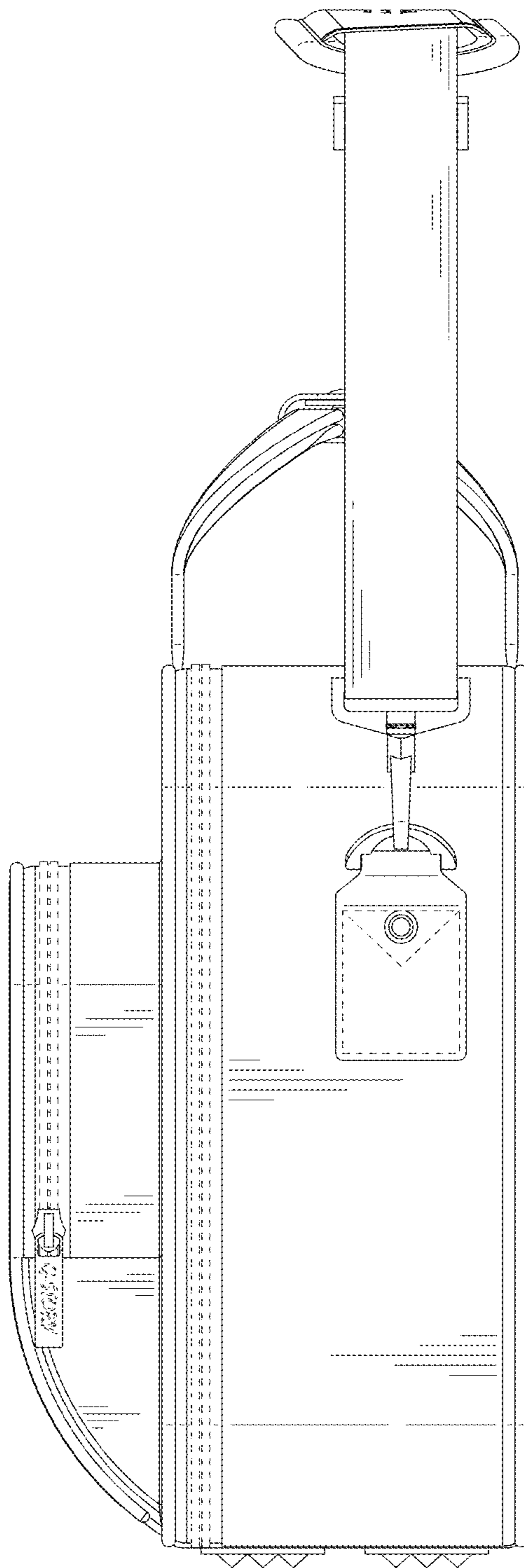


FIG. 6



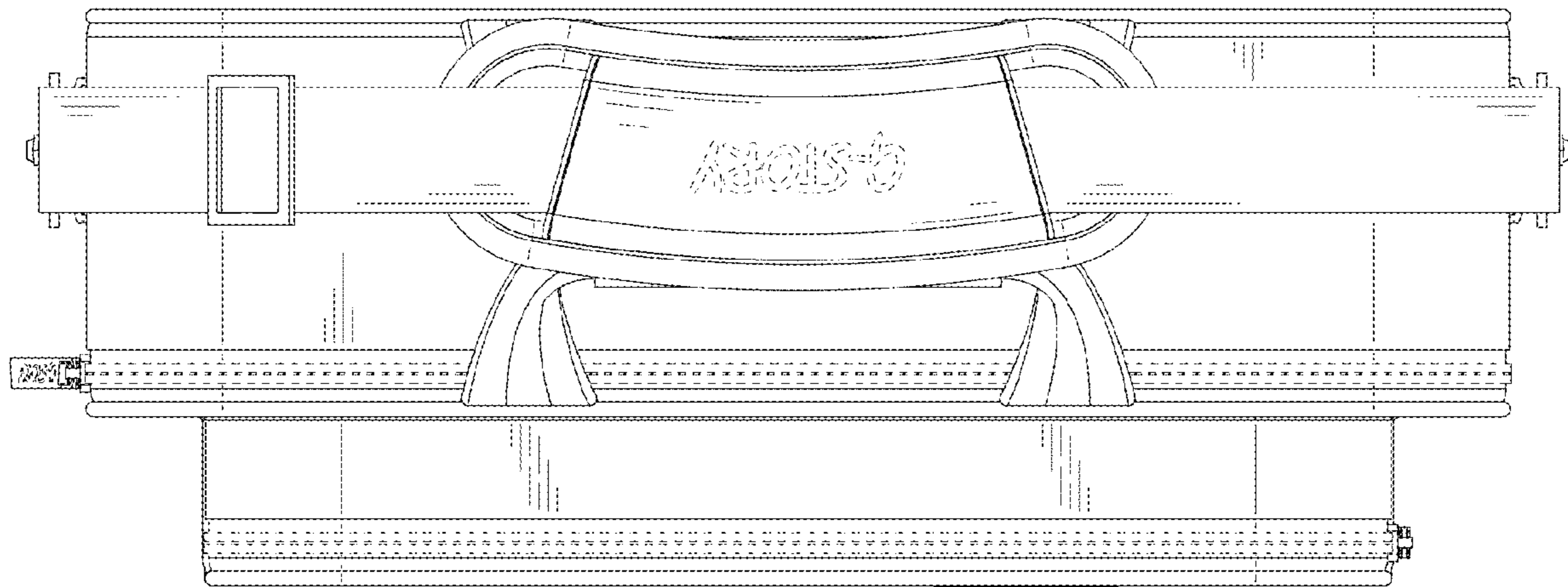


FIG. 7

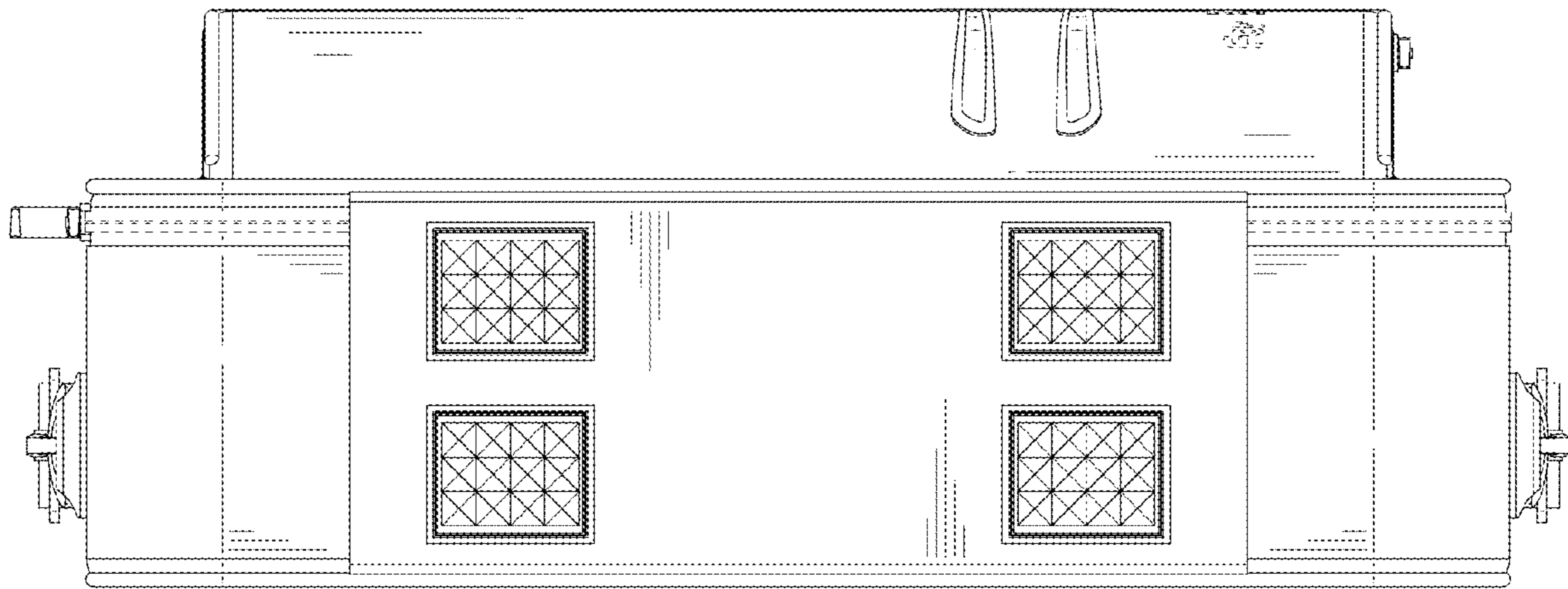


FIG. 8

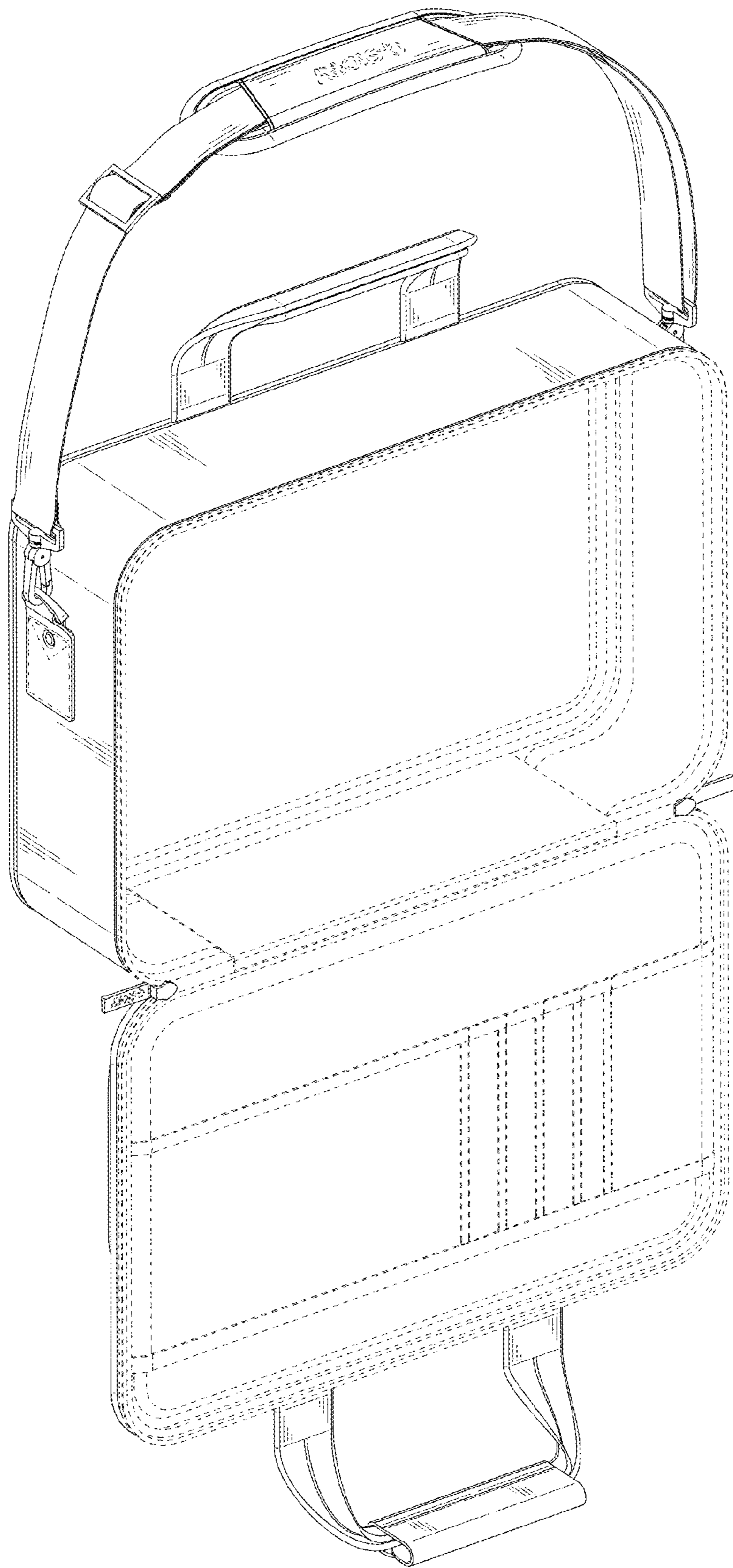


FIG. 9

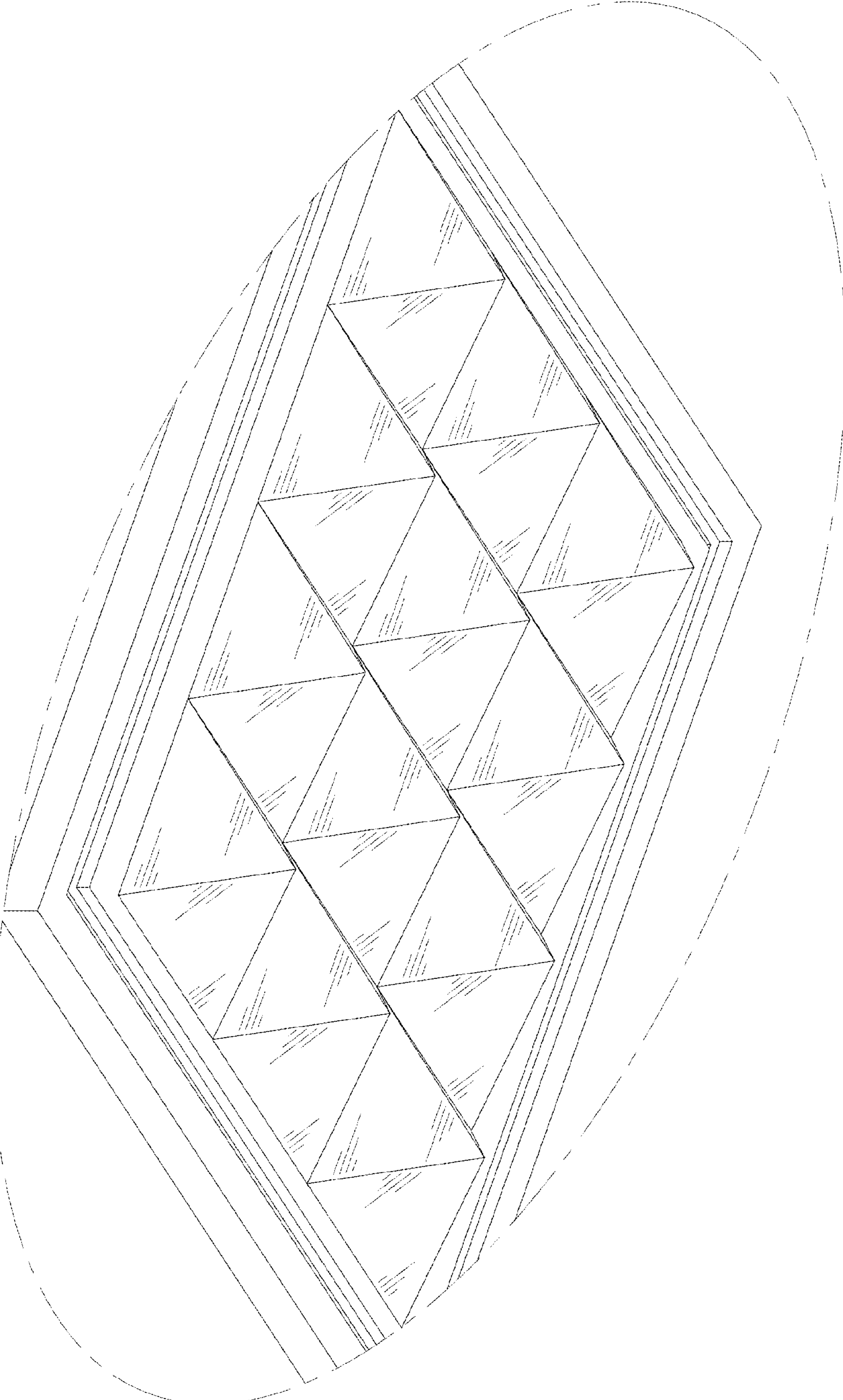


FIG. 10