



US00D946276S

(12) **United States Design Patent** (10) **Patent No.:** **US D946,276 S**  
**Ridley** (45) **Date of Patent:** **\*\* Mar. 22, 2022**

(54) **GOLF BAG WITH INTEGRATED SPEAKER ASSEMBLY**

(71) Applicant: **RIDLEY 517 IP, LLC**, Fort Lauderdale, FL (US)  
(72) Inventor: **Shannon Ridley**, Miami, FL (US)  
(\*\*) Term: **15 Years**

(21) Appl. No.: **29/708,989**

(22) Filed: **Oct. 10, 2019**

(51) **LOC (13) Cl.** ..... **03-01**

(52) **U.S. Cl.**  
USPC ..... **D3/255**; D14/172

(58) **Field of Classification Search**  
USPC ..... D3/254, 255, 259, 260, 269, 273, 276, D3/279, 281, 288–290, 315, 316, 318, D3/328, 328.1, 904; D21/789, 796; D14/168, 172, 204, 209, 209.1, 210, 211, D14/214, 215, 224  
CPC ..... B62B 2202/406; A45C 5/14; A45C 2003/007; A47F 7/00; A47F 7/0021; A63B 2055/002; A63B 2055/402; A63B 2055/403; A63B 55/00; A63B 55/005; A63B 55/008; A63B 55/02; A63B 55/04; A63B 55/08; A63B 55/10; A63B 55/20; A63B 55/40; A63B 55/53; A63B 55/57; A63B 55/60; A63B 55/61; A63B 55/404; A63B 55/406; A63B 55/408  
See application file for complete search history.

(56) **References Cited**

**U.S. PATENT DOCUMENTS**

D258,208 S \* 2/1981 Kawachi ..... D14/214  
D334,285 S \* 3/1993 Wilson ..... D14/168  
5,339,951 A \* 8/1994 Chen ..... A63B 55/53  
206/315.7  
D353,264 S \* 12/1994 Danezin ..... D3/255  
D382,397 S \* 8/1997 Wu ..... D3/255

(Continued)

**OTHER PUBLICATIONS**

Facebook user “Kanvas Brands”, photo posted Jan. 22, 2020, Available at internet URL: <https://www.facebook.com/KanvasBrands/photos/a.106194670902852/120832529439066/?type=3&theater> (Year: 2020).\*

(Continued)

*Primary Examiner* — Jeffrey D Asch  
*Assistant Examiner* — Caitlin A Laverty

(74) *Attorney, Agent, or Firm* — Derek Fahey; The Plus IP Firm

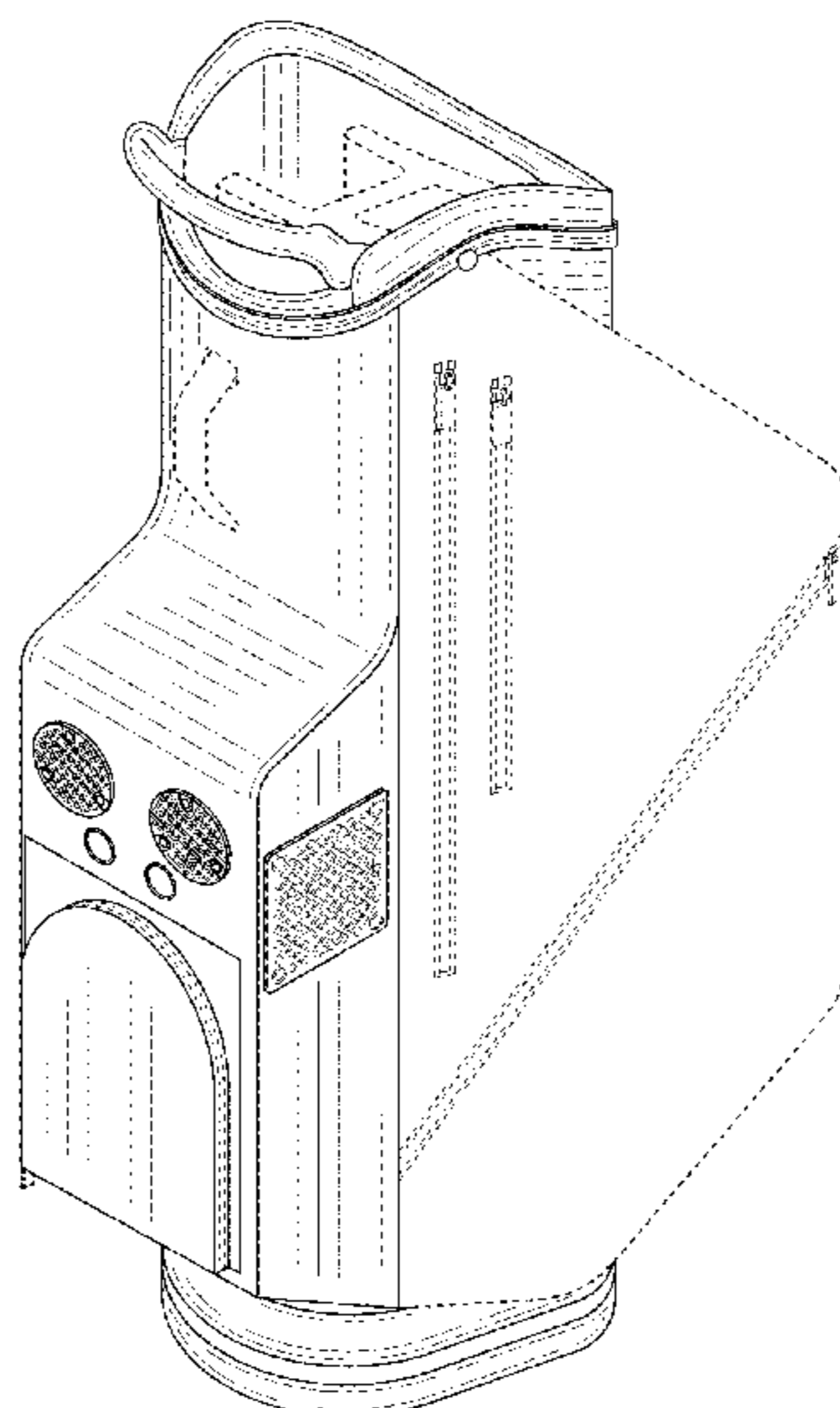
(57) **CLAIM**

The ornamental design for a golf bag with integrated speaker assembly, as shown and described.

**DESCRIPTION**

FIG. 1 is a first front perspective view of a golf bag with integrated speaker assembly.  
FIG. 2 is a second front perspective view of the golf bag with integrated speaker assembly.  
FIG. 3 is a first rear perspective view of the golf bag with integrated speaker assembly.  
FIG. 4 is a second rear perspective view of the golf bag with integrated speaker assembly.  
FIG. 5 is a first side view of the golf bag with integrated speaker assembly.  
FIG. 6 is a second side view of the golf bag with integrated speaker assembly.  
FIG. 7 is a rear view of the golf bag with integrated speaker assembly.  
FIG. 8 is a front view of the golf bag with integrated speaker assembly; and,  
FIG. 9 is a top view of the golf bag with integrated speaker assembly.  
The broken lines illustrating portions of the golf bag surface or attachments are for the purpose of illustrating portions of the article that form no part of the claim.

**1 Claim, 9 Drawing Sheets**



(56)

**References Cited**

U.S. PATENT DOCUMENTS

D405,259 S \* 2/1999 Sundara ..... D3/255  
 D419,295 S \* 1/2000 Reimers ..... D3/255  
 D429,416 S \* 8/2000 Heidenreich ..... D3/255  
 D449,967 S \* 11/2001 Moffett, III ..... D7/605  
 D499,612 S \* 12/2004 Smith, Sr. .... D14/168  
 D566,130 S \* 4/2008 Entner ..... D14/217  
 D572,235 S \* 7/2008 Imawaki ..... D14/207  
 D655,579 S \* 3/2012 Hassman ..... D7/607  
 D660,283 S \* 5/2012 Joseph ..... D14/168  
 D691,584 S \* 10/2013 Nussbaum ..... D14/207  
 D775,817 S \* 1/2017 Ridley ..... D3/217  
 9,635,445 B1 \* 4/2017 Ridley ..... H04R 1/023  
 D928,737 S \* 8/2021 Lim ..... D14/215  
 D938,721 S \* 12/2021 Burgess ..... D3/255  
 2002/0176593 A1 \* 11/2002 Magnusson ..... H04R 5/023  
 381/301

2012/0118451 A1\* 5/2012 Berning ..... A63B 53/0466  
 150/160  
 2013/0156251 A1\* 6/2013 Noble ..... H04R 1/028  
 381/387

OTHER PUBLICATIONS

“Sun Mountain introduces the Boom Bag, which comes with a built-in speaker”, article posed Jan. 21, 2021, [thegolfnewsnet.com](http://thegolfnewsnet.com) [online], [site visited Mar. 8, 2021], Available at internet URL: <https://thegolfnewsnet.com/golfnewsnetteam/2021/01/21/sun-mountain-introduces-the-boom-bag-which-comes-with-a-built-in-speaker-121742/>. (Year: 2021).\*

Bluetooth Speaker Backpack with 20-Watt Speakers & Subwoofer . . . , first available Feb. 1, 2016, [amazon.com](http://amazon.com) [online], [site visited Mar. 8, 2021] , Available at internet URL: <https://www.amazon.com/Bluetooth-Backpack-Subwoofer-Festivals-Rechargeable/dp/B01BBCXGXS> (Year: 2016).\*

\* cited by examiner

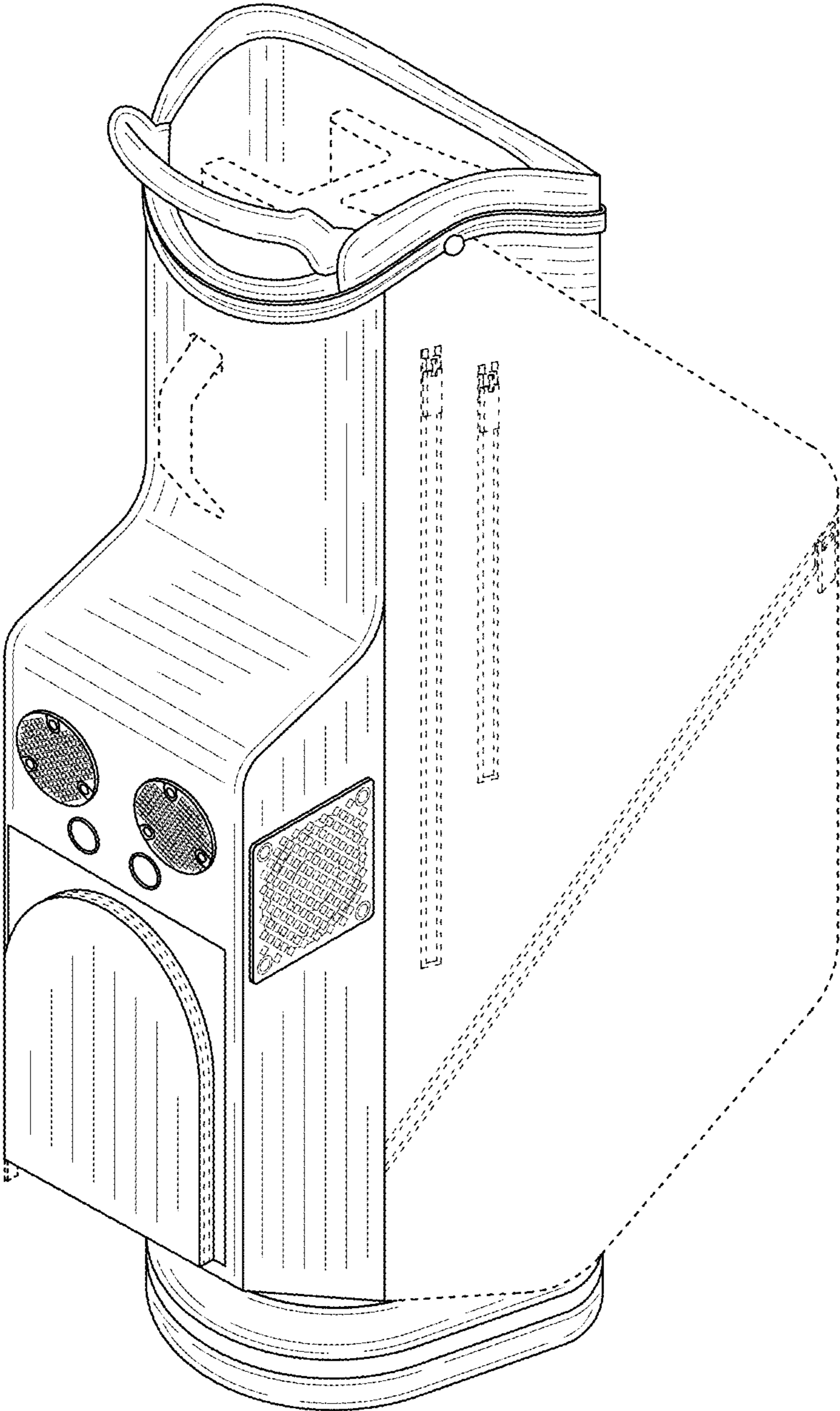


FIG. 1



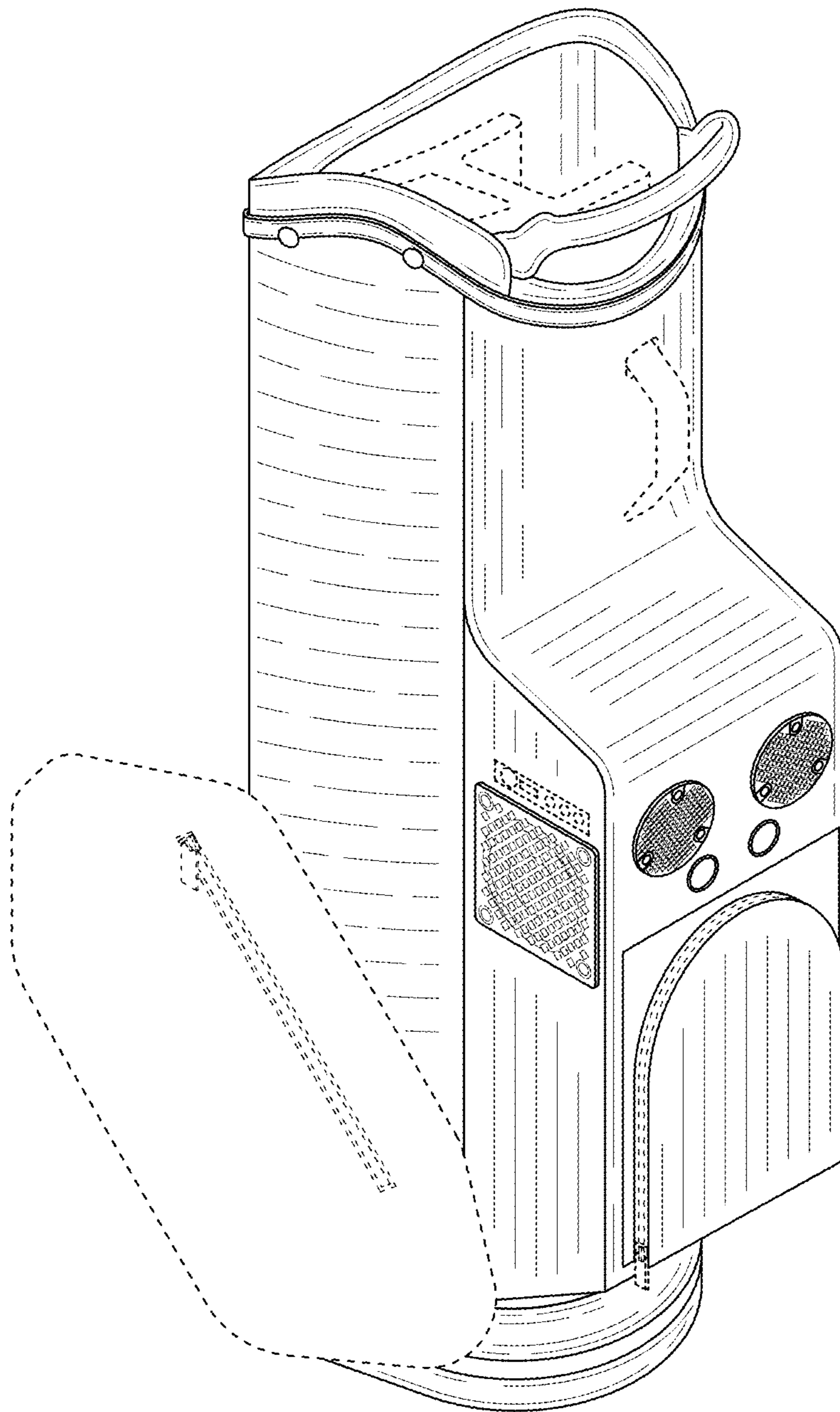


FIG. 2

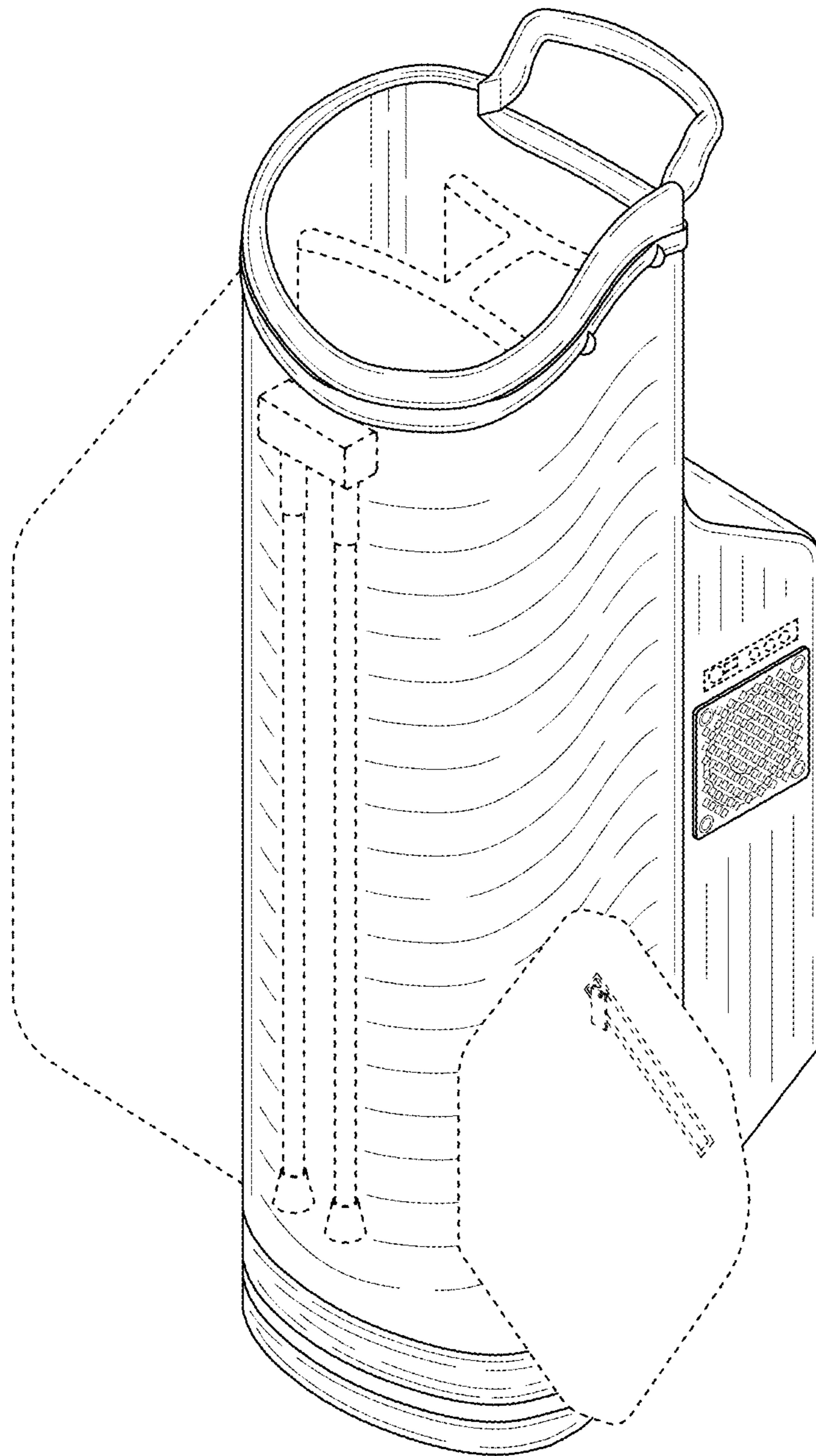


FIG. 3

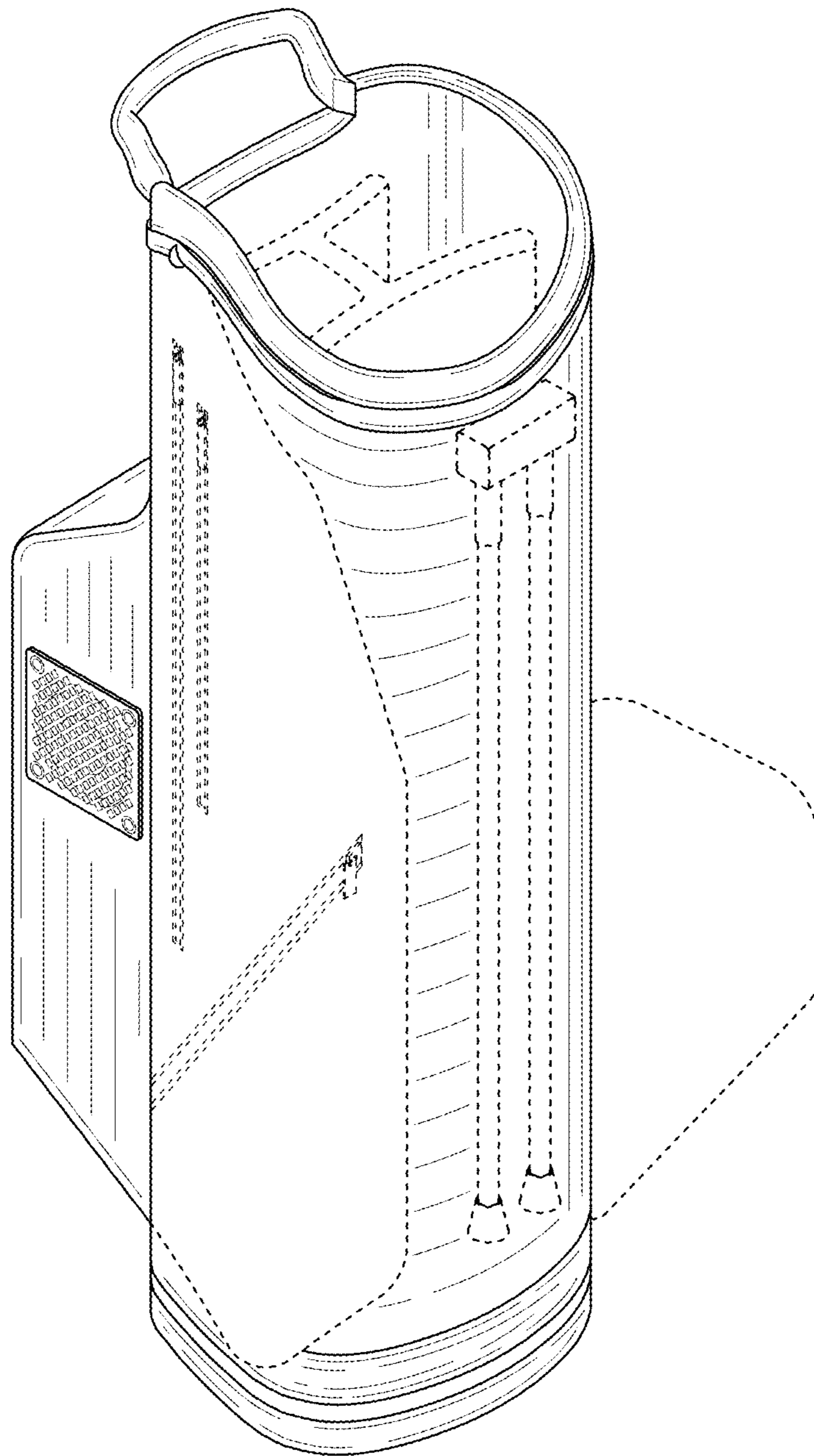


FIG. 4

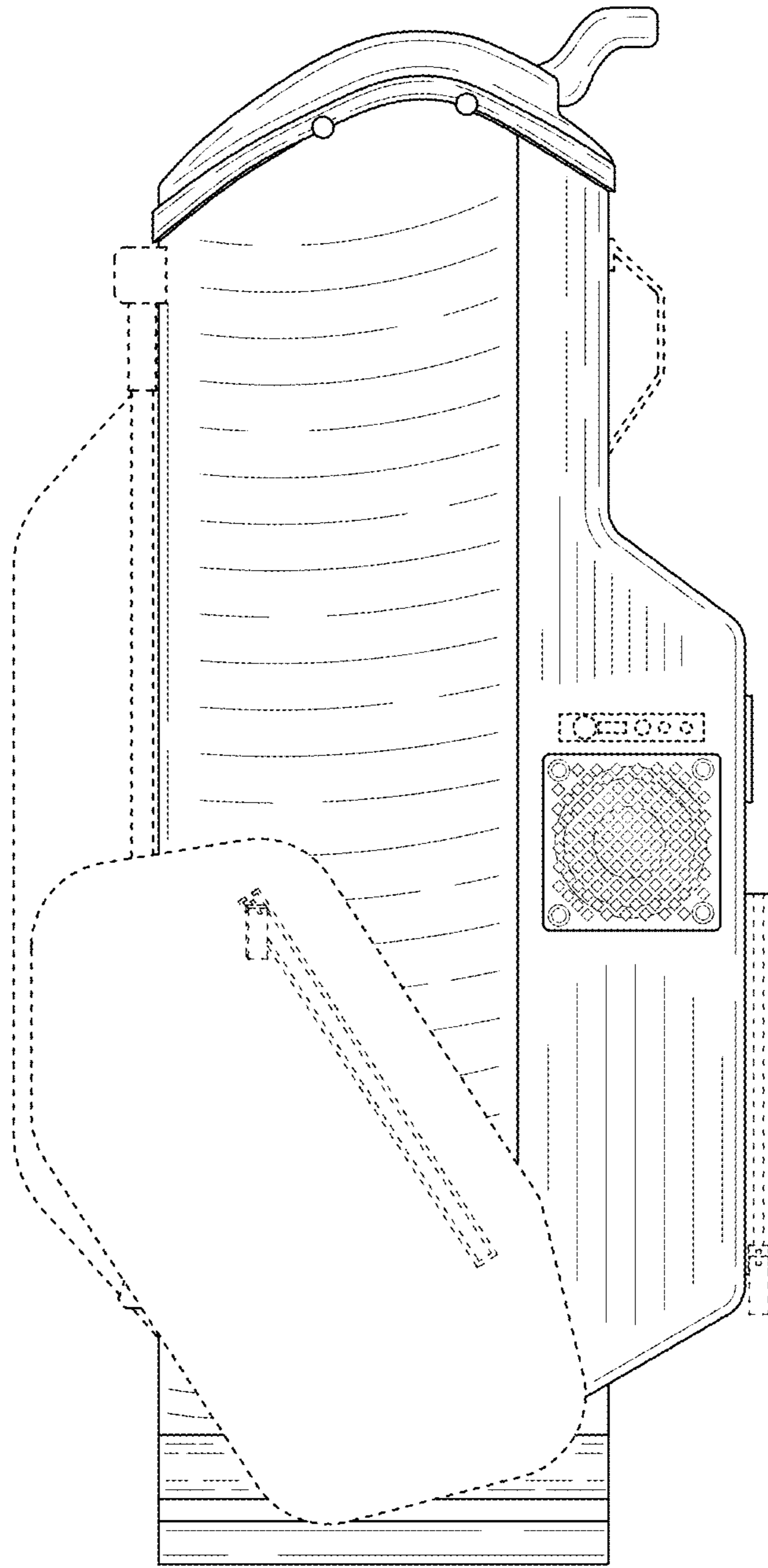


FIG. 5

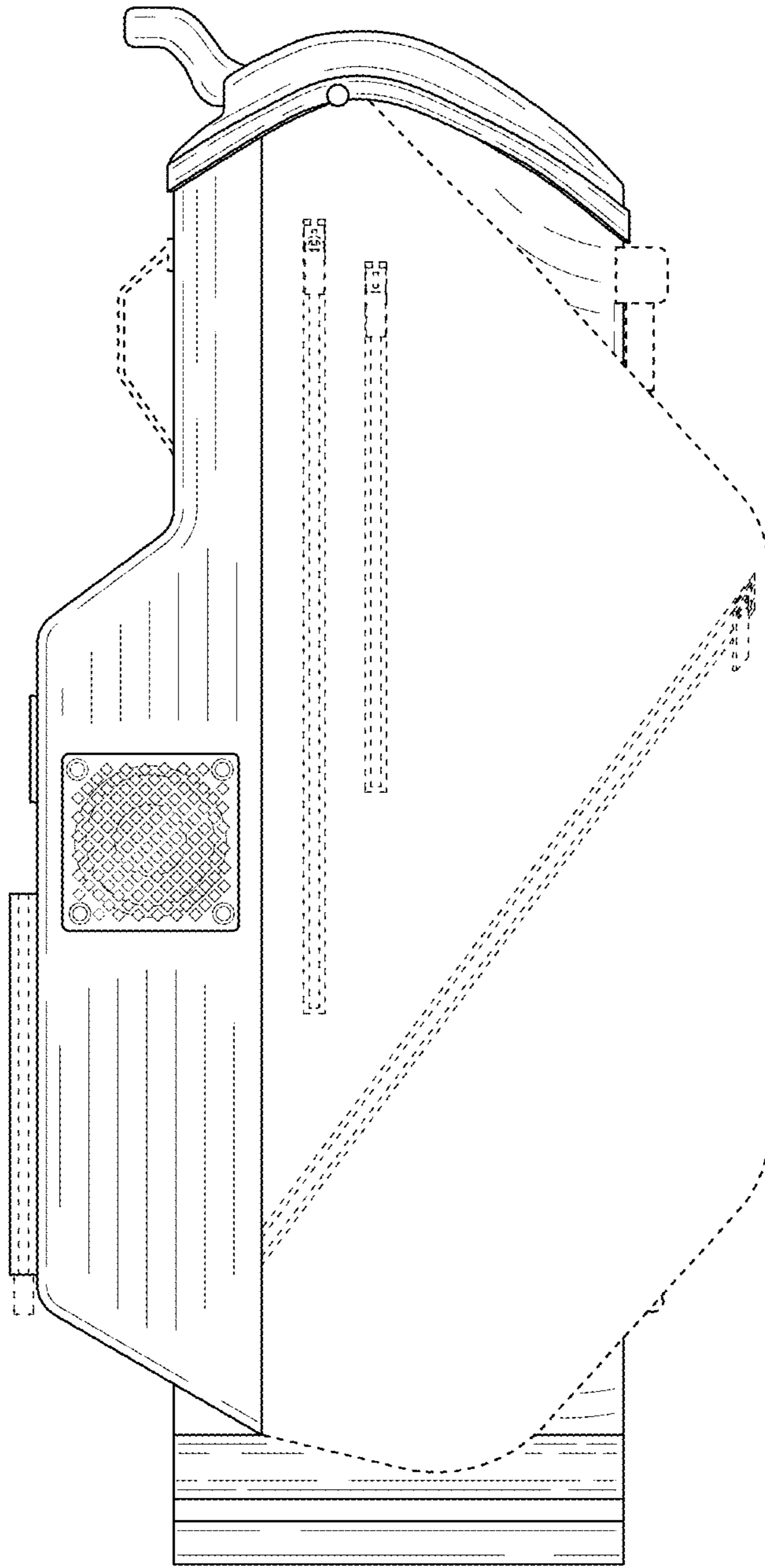


FIG. 6



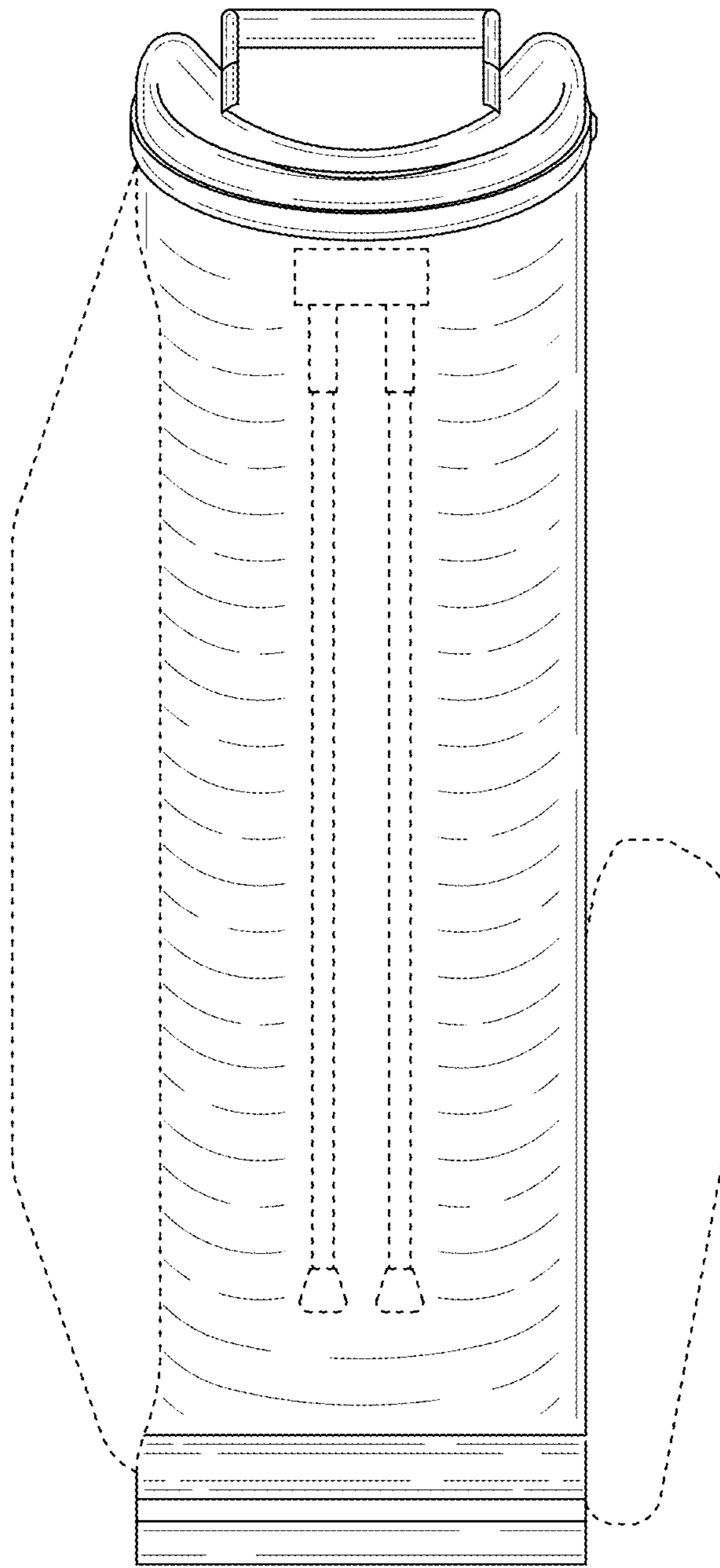


FIG. 7

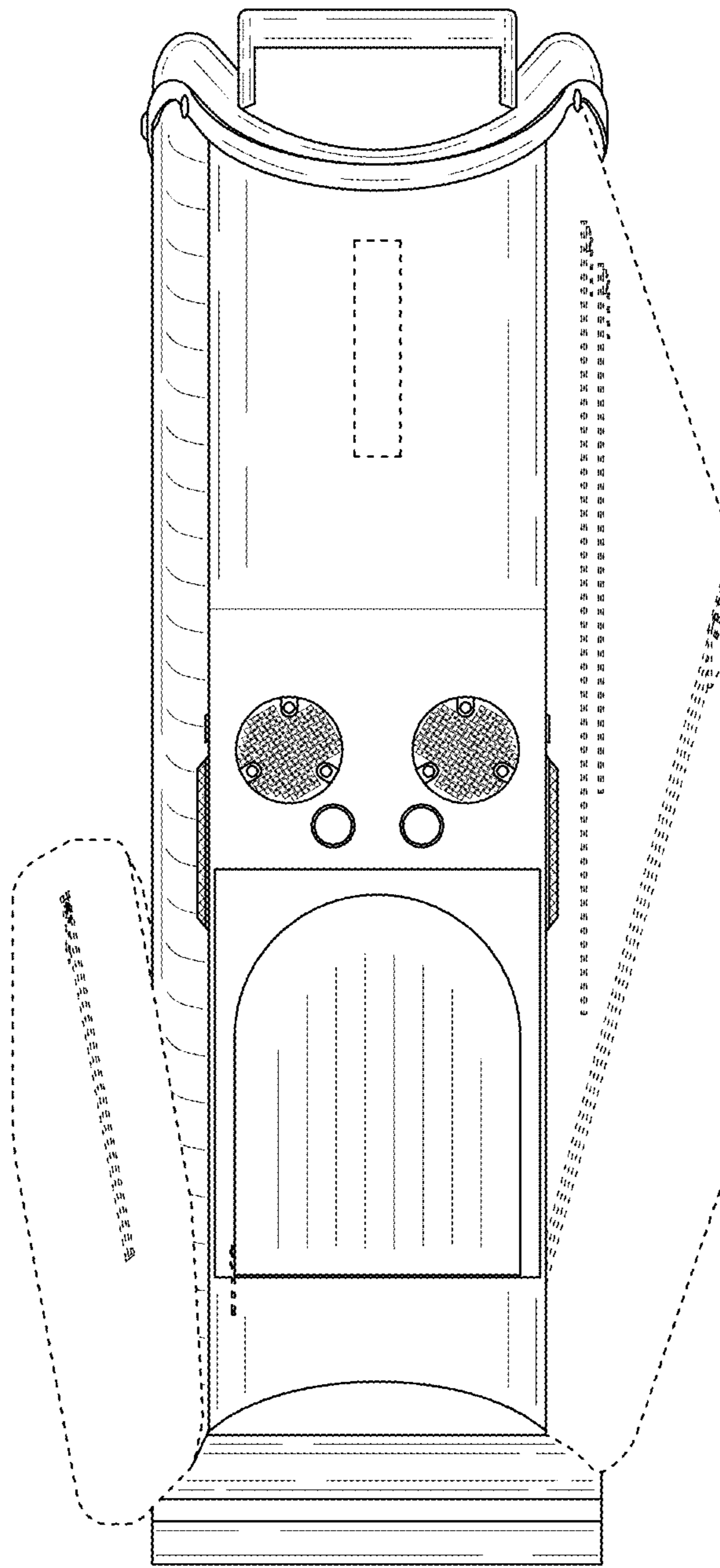


FIG. 8

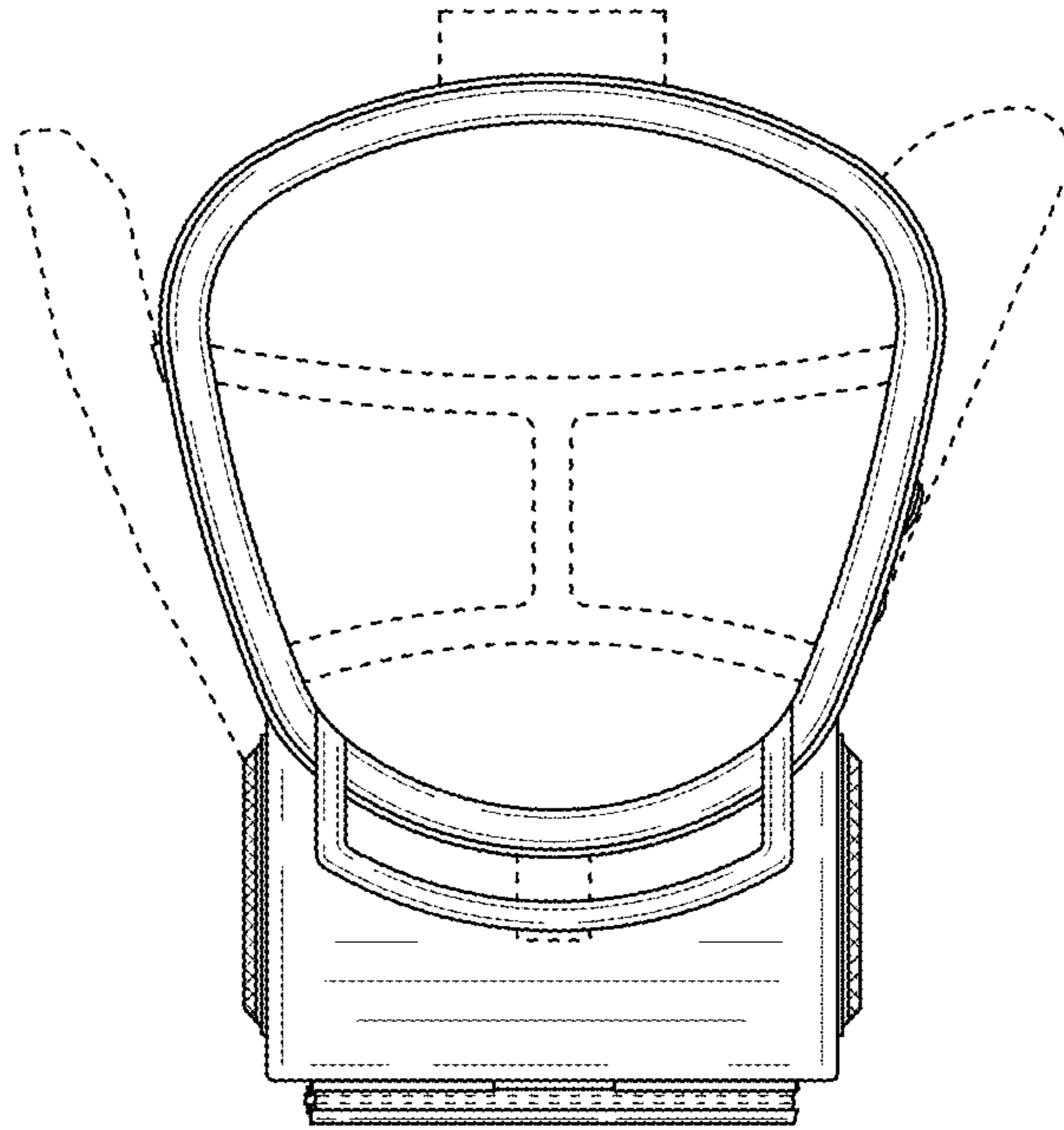


FIG. 9