



US00D946267S

(12) **United States Design Patent**
He

(10) **Patent No.:** **US D946,267 S**
(45) **Date of Patent:** **** Mar. 22, 2022**

(54) **BACKPACK**

(71) Applicant: **Aixia He**, Dengzhou (CN)

(72) Inventor: **Aixia He**, Dengzhou (CN)

(**) Term: **15 Years**

(21) Appl. No.: **29/752,293**

(22) Filed: **Sep. 25, 2020**

(51) **LOC (13) Cl.** **03-01**

(52) **U.S. Cl.**
USPC **D3/217**

(58) **Field of Classification Search**
USPC D3/201, 213–219, 221, 224, 225, 229,
D3/230, 232, 243–246, 254, 318
CPC .. A45C 3/08; A45C 3/06; A45C 13/08; A45C
13/02; A45C 7/0086; A45C 3/00; A45C
13/26; A45F 3/04; A45F 3/02
See application file for complete search history.

(56) **References Cited**

U.S. PATENT DOCUMENTS

- D702,434 S * 4/2014 Chalk A45F 3/04
D3/217
- D714,541 S * 10/2014 Anderson D3/217
- D799,815 S * 10/2017 Tong D3/217

- D896,505 S 9/2020 Yuan
- D901,169 S * 11/2020 Thibadeau D3/217
- D919,287 S * 5/2021 He D3/217
- 2008/0011568 A1 * 1/2008 Siwak G01G 19/58
190/115
- 2010/0108731 A1 * 5/2010 Rowe A45F 3/042
224/654
- 2017/0325573 A1 * 11/2017 Sutovsky A45F 4/02
- 2020/0000208 A1 * 1/2020 Liu A45F 3/06

* cited by examiner

Primary Examiner — Jennifer L Watkins

(74) *Attorney, Agent, or Firm* — Justin Lampel

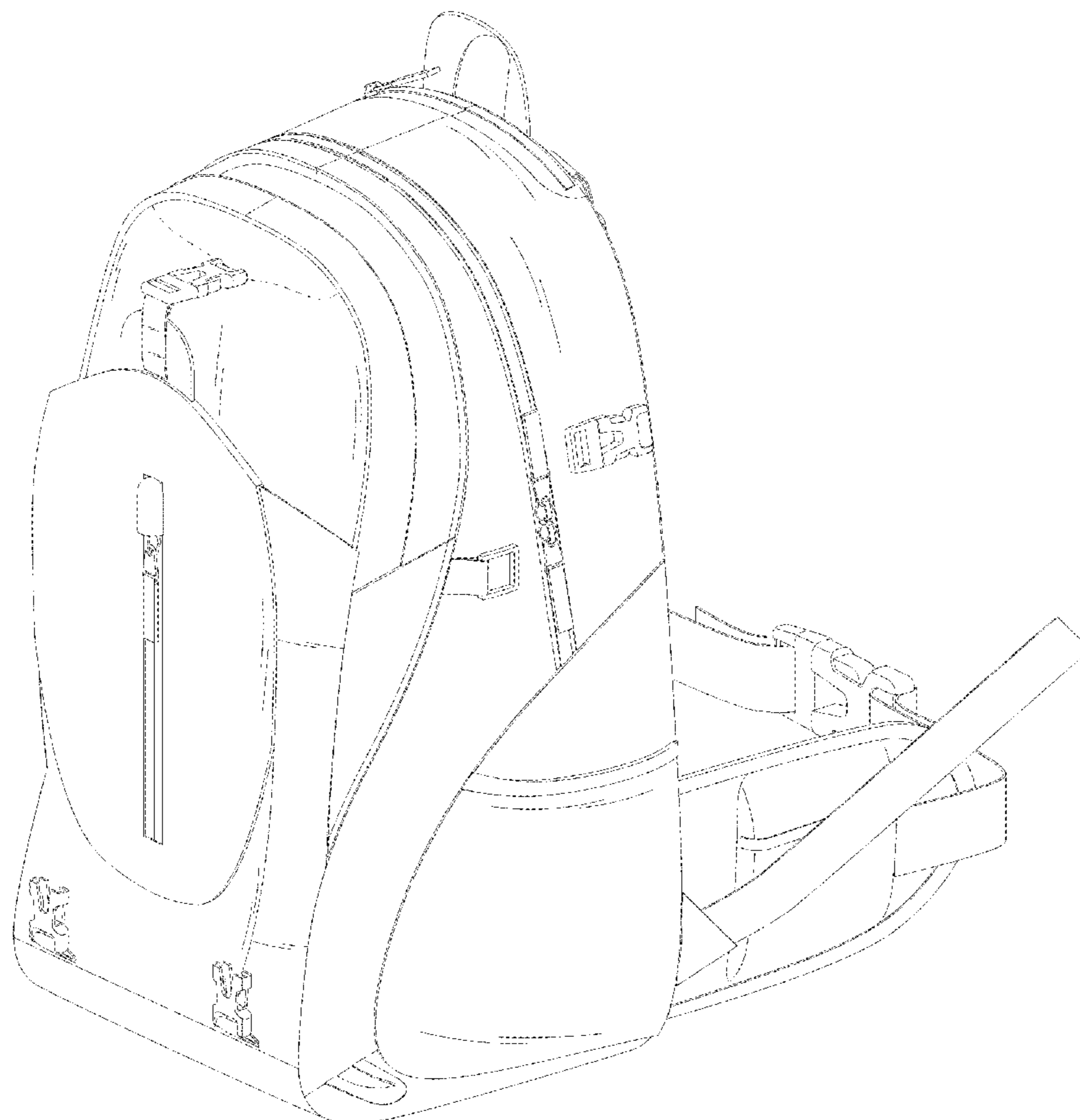
(57) **CLAIM**

The ornamental design for a backpack, as shown and described.

DESCRIPTION

FIG. 1 is a perspective view of a backpack showing the claimed design;
 FIG. 2 is a top plan view thereof;
 FIG. 3 is a left side elevational view thereof;
 FIG. 4 is a front side elevational view thereof;
 FIG. 5 is a right side elevational view thereof;
 FIG. 6 is a back side elevational view thereof; and,
 FIG. 7 is a bottom plan view thereof.
 The broken line depicts a portion of the article that forms no part of the claimed design.

1 Claim, 7 Drawing Sheets



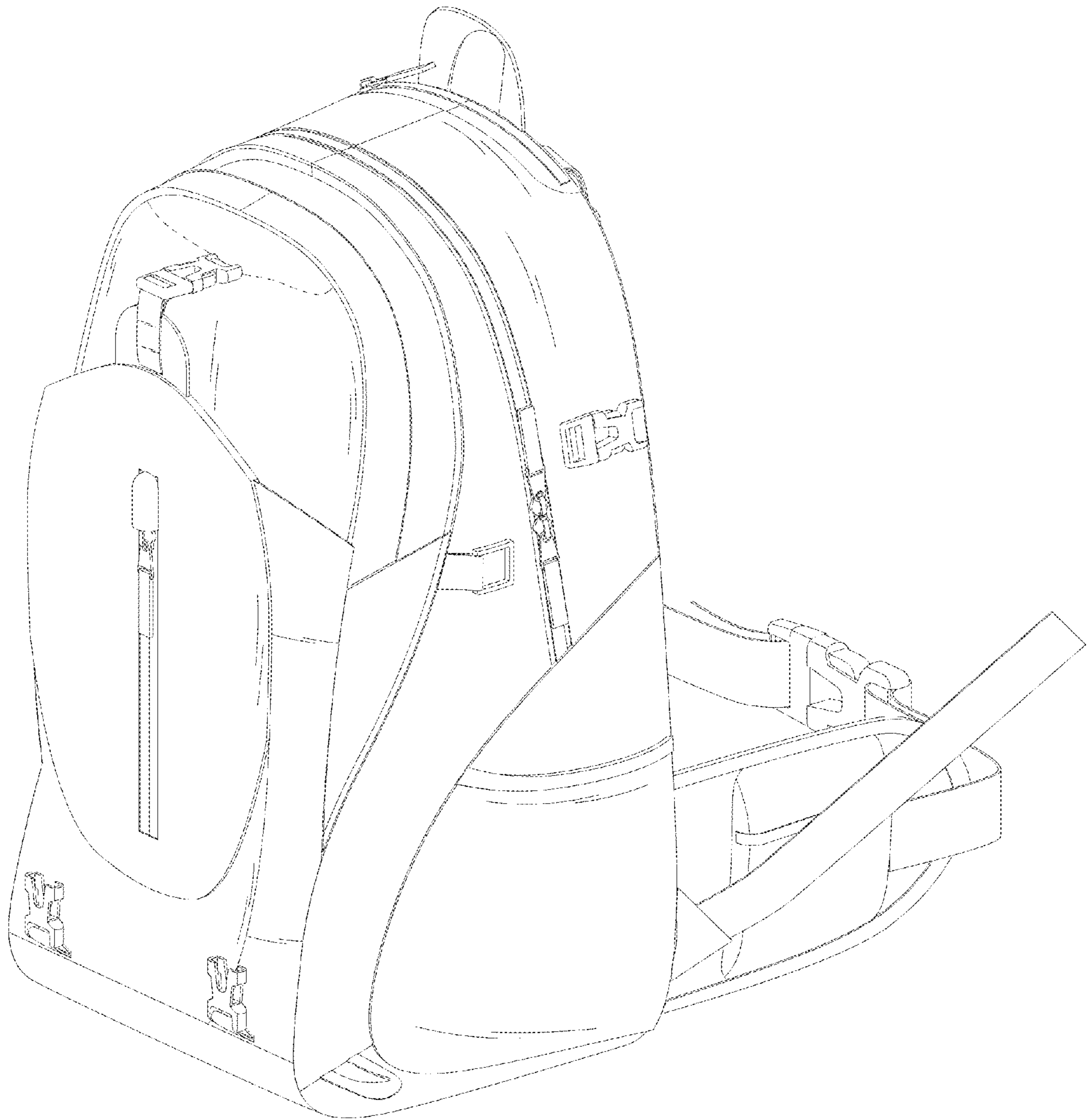


FIG 1

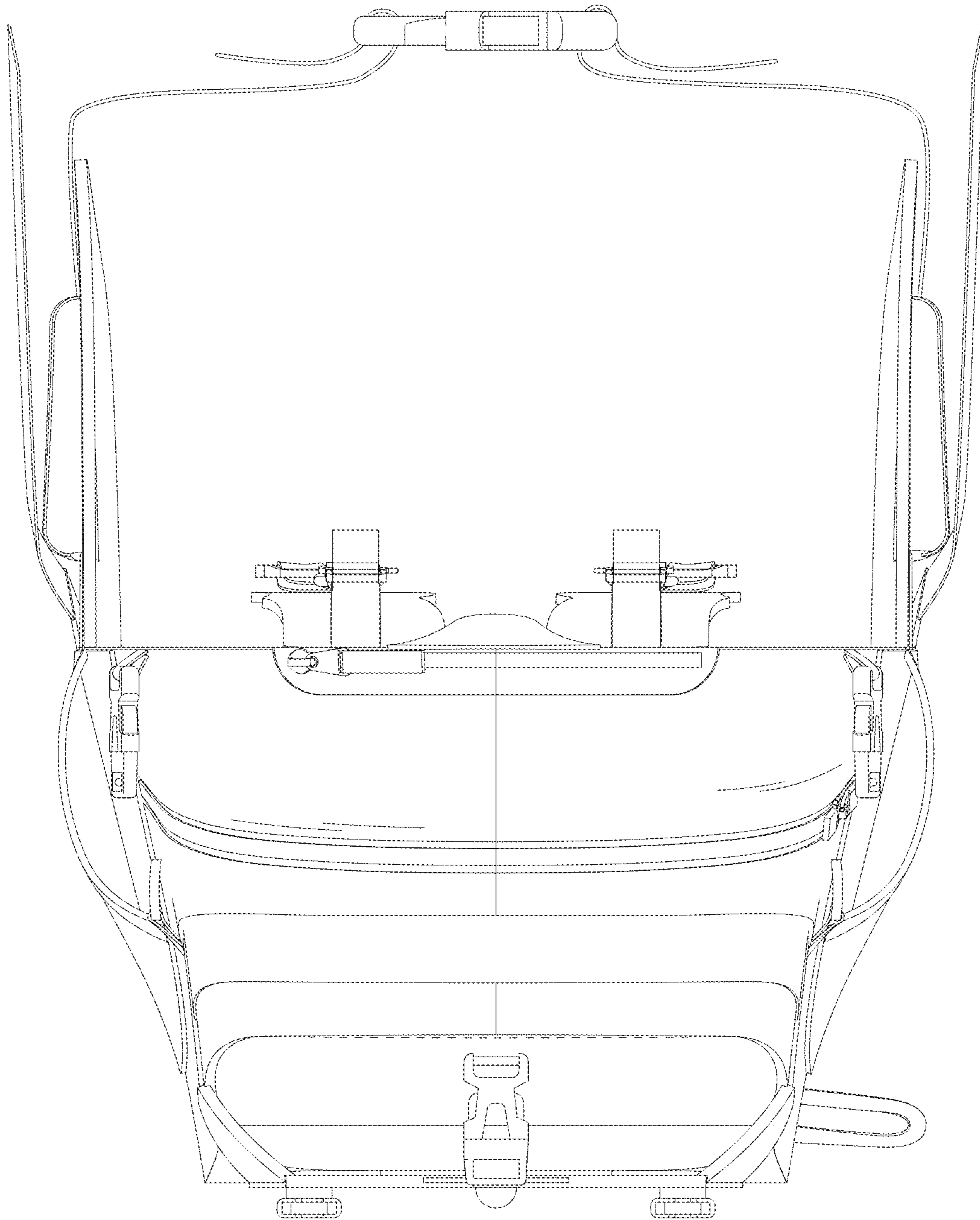


FIG. 2

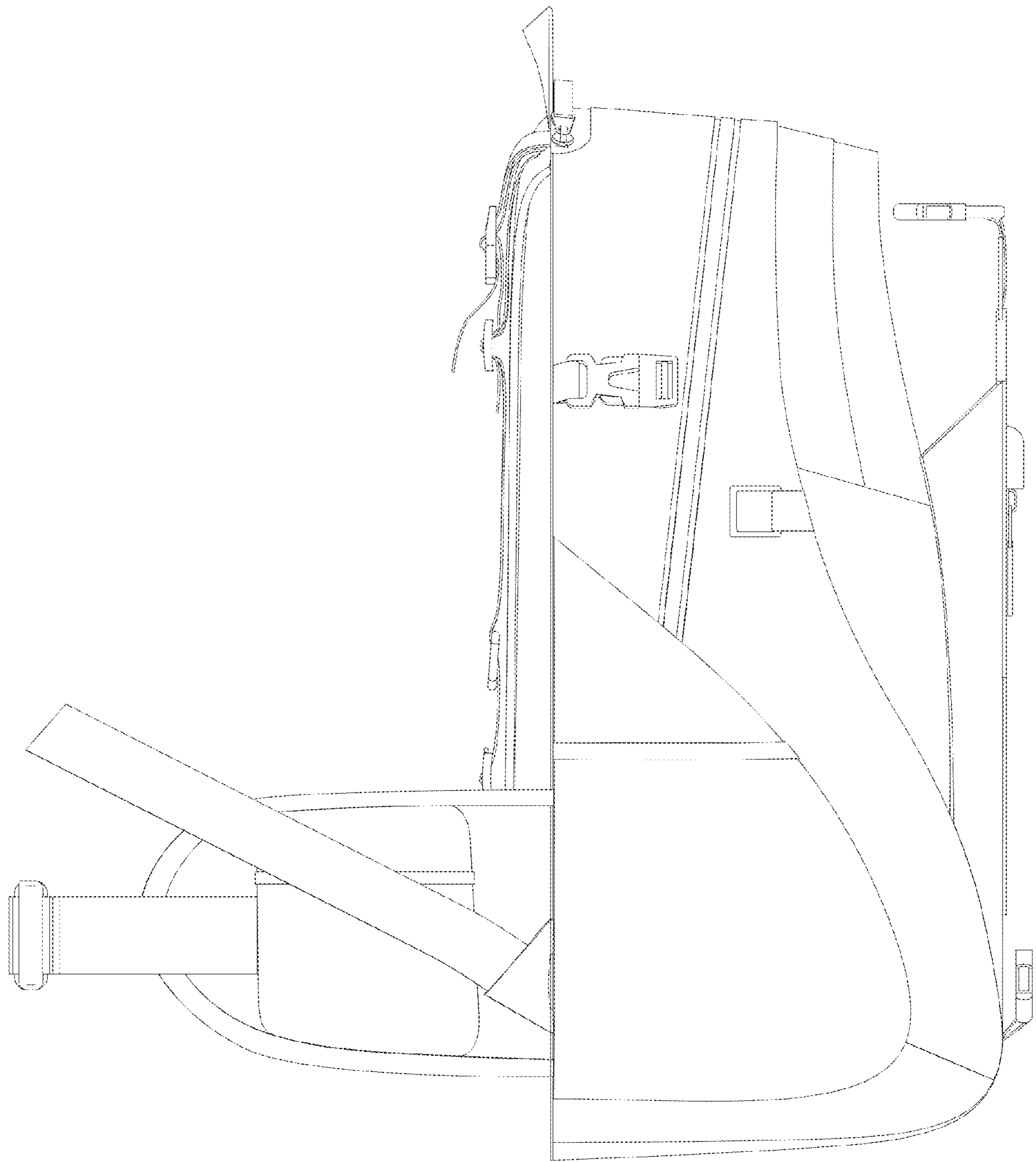


FIG. 3

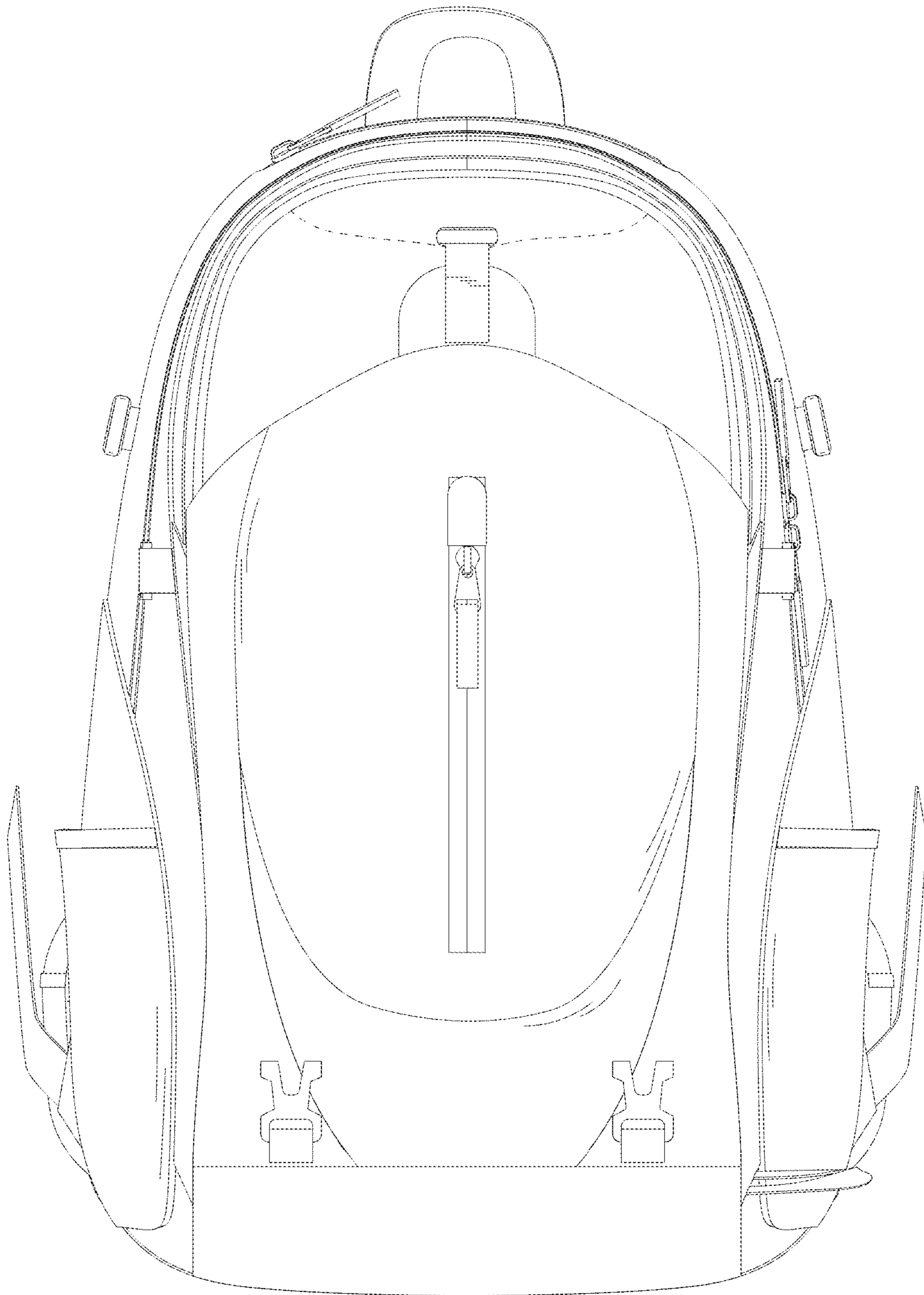


FIG. 4

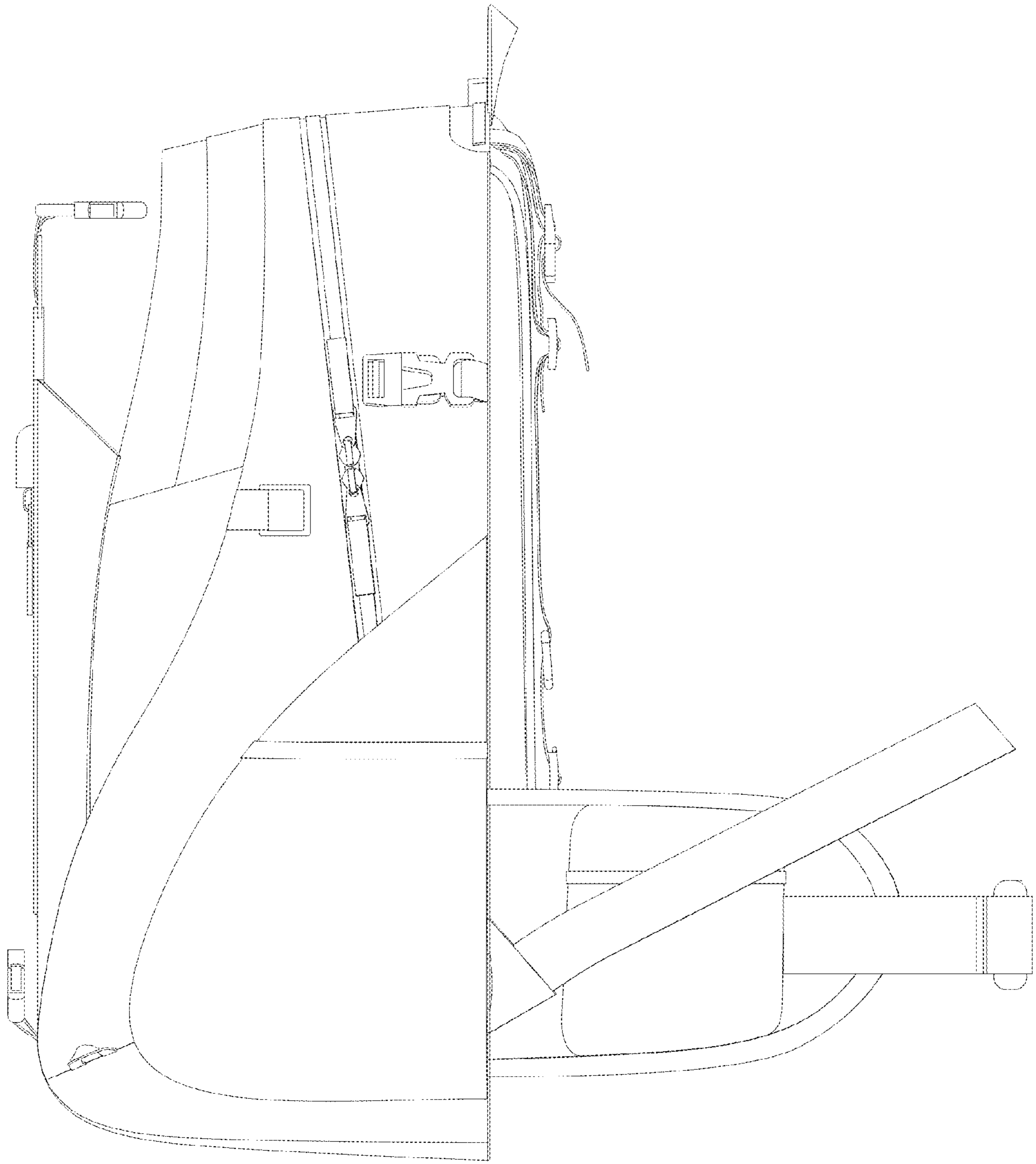


FIG. 5

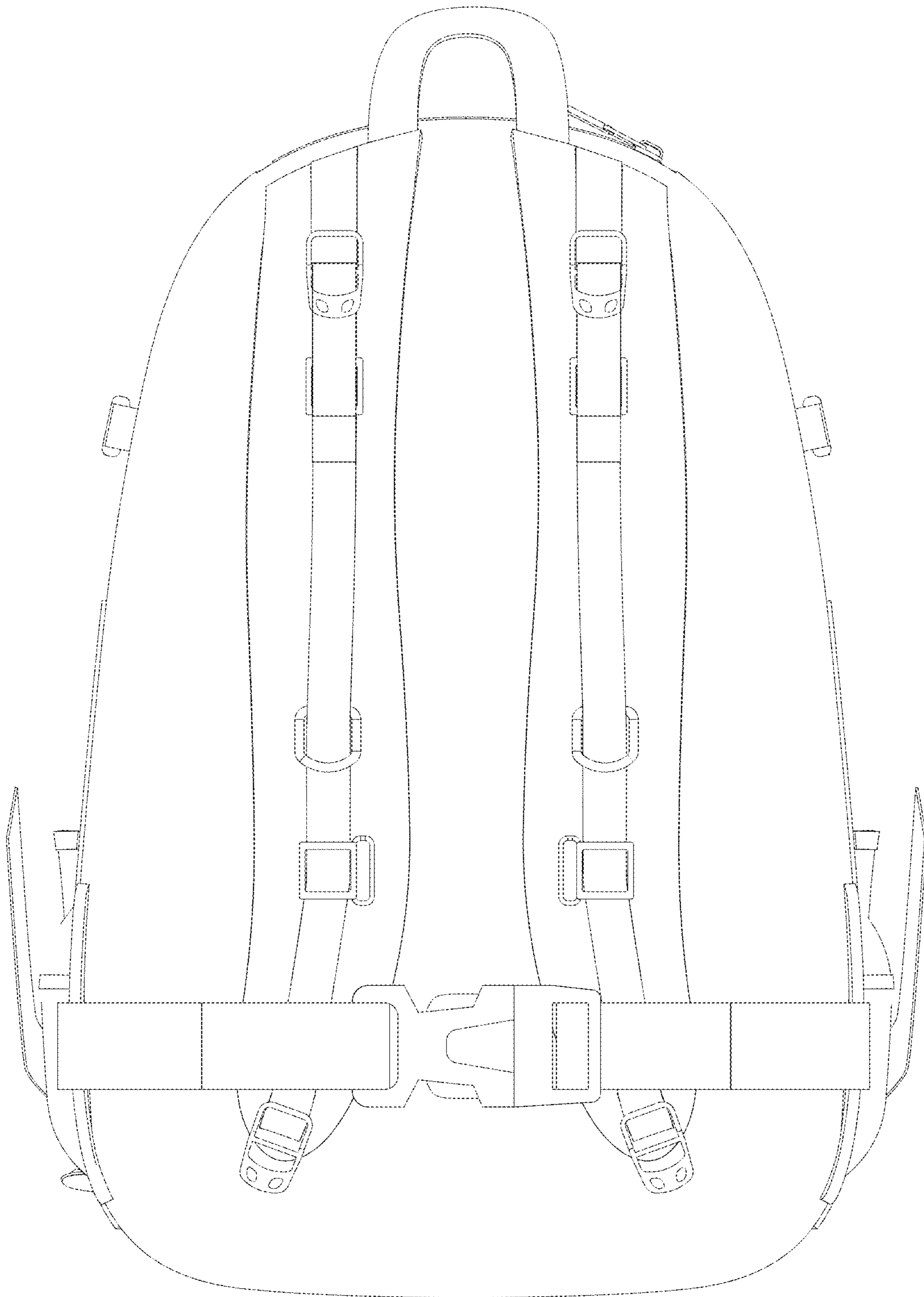


FIG. 6

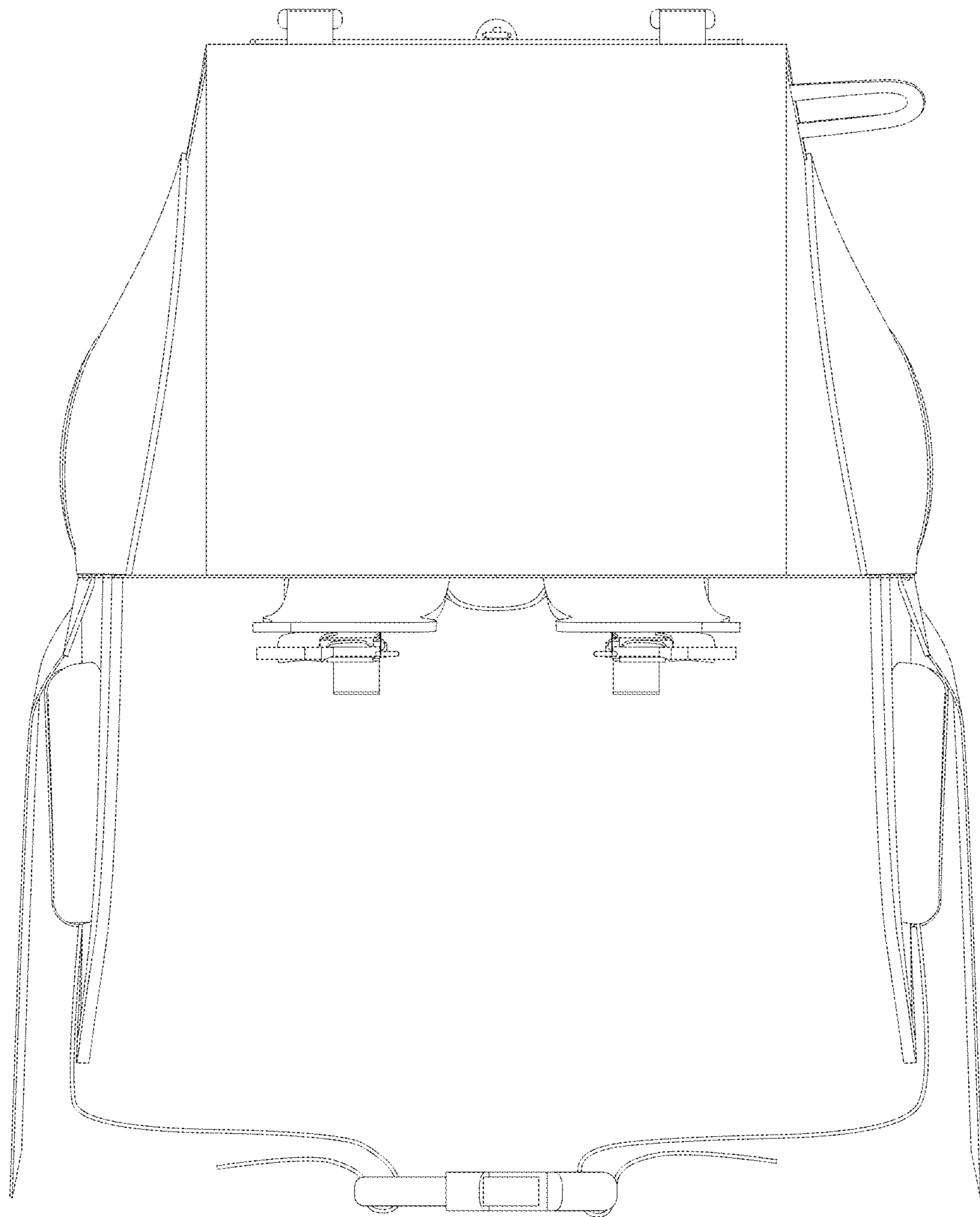


FIG. 7