

US00D946265S

(12) **United States Design Patent**
Bauer et al.

(10) **Patent No.:** **US D946,265 S**
(45) **Date of Patent:** **** Mar. 22, 2022**

(54) **LANYARD**
(71) Applicant: **Thread Wallets LLC**, Provo, UT (US)
(72) Inventors: **Colby S. Bauer**, Provo, UT (US);
Dillon M. Boyes, Vineyard, UT (US)
(73) Assignee: **THREAD WALLETS LLC**, Provo,
UT (US)
(**) Term: **15 Years**

(21) Appl. No.: **29/737,189**
(22) Filed: **Jun. 5, 2020**
(51) **LOC (13) Cl.** **03-01**
(52) **U.S. Cl.**
USPC **D3/207**
(58) **Field of Classification Search**
USPC D3/207–212, 215, 218–219, 226–230,
D3/247, 249, 303, 318, 328; D8/44, 356,
D8/358–359; D10/72; D11/201, 215
CPC A44B 15/00; A44B 15/002; A44B 15/005;
A44B 15/007; A45C 1/06; A45C 3/08;
A45C 11/32; A45C 2011/002; A45C
13/30; F04B 15/00; E05B 19/04; H04B
1/034; A45F 3/02; A45F 3/14; A45F
5/00; A45F 5/02; A45F 5/021; A45F
5/004; A45F 2005/006; A45F 2005/008;
A45F 2200/0516
See application file for complete search history.

(56) **References Cited**

U.S. PATENT DOCUMENTS

D285,865 S * 9/1986 Gamble D3/210
5,052,602 A * 10/1991 Duchi, Jr. A45C 13/26
224/218
5,069,050 A * 12/1991 Chen A44B 15/002
70/456 R
6,038,745 A * 3/2000 Rapp A45F 3/14
24/165
D437,995 S * 2/2001 Perthou D3/207
D499,545 S * 12/2004 Condiff D3/218

7,343,647 B1 * 3/2008 Kinskey A45F 5/00
16/406
D619,354 S * 7/2010 Mudrick D3/208
D652,205 S * 1/2012 Averahami D3/207
(Continued)

FOREIGN PATENT DOCUMENTS

GB 8210635000-1000 * 9/2020

OTHER PUBLICATIONS

Thread Wallets-Keychain Clip-Key Chain Holder, first available Feb. 10, 2021, amazon.com [online], [site visited Oct. 15, 2021], Available at internet URL: https://www.amazon.com/Thread-Wallets-Keychain-Holder-Ronnie/dp/B08WCYMQFS?ref_=ast_sto_dp (Year: 2021).*

(Continued)

Primary Examiner — Jeffrey D Asch
Assistant Examiner — Caitlin A Laverty
(74) *Attorney, Agent, or Firm* — Workman Nydegger

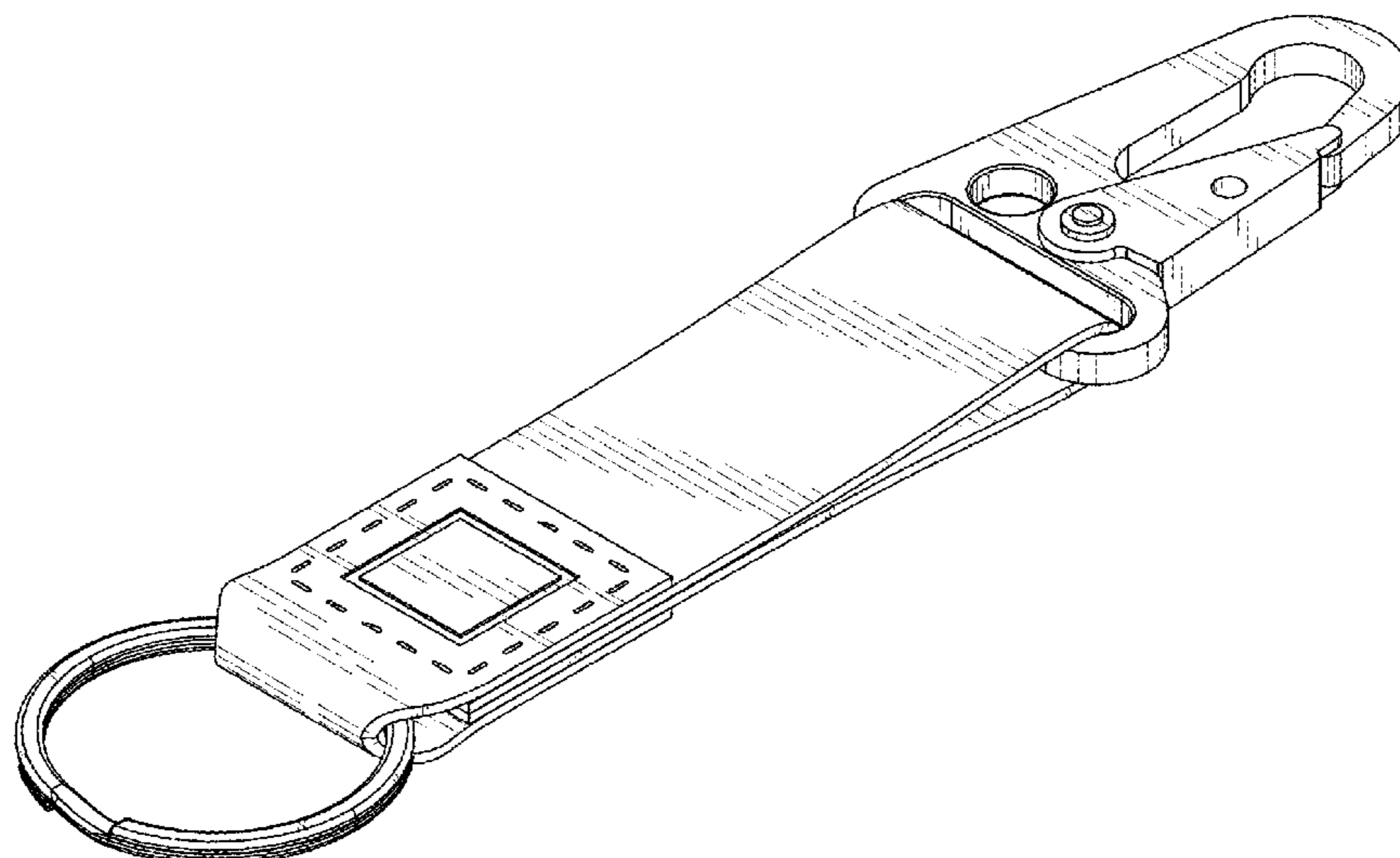
(57) **CLAIM**

The ornamental design for a lanyard, as shown and described.

DESCRIPTION

FIG. 1 is a top, front, and right perspective view of our new design for a lanyard;
FIG. 2 is a bottom plan view thereof;
FIG. 3 is a top plan view thereof;
FIG. 4 is a front view thereof;
FIG. 5 is a rear view thereof;
FIG. 6 is a left side view thereof; and,
FIG. 7 is a right side view thereof.
The spaced apart elongated stadium shapes arranged in a square at the bottom front and rear, which protrude from the surface, and which may appear as dashed lines, represent stitching that is included in the claim.

1 Claim, 4 Drawing Sheets



(56)

References Cited

U.S. PATENT DOCUMENTS

D666,833	S *	9/2012	Robinson	D3/318
D826,550	S *	8/2018	Filakousky	D3/207
D854,916	S *	7/2019	Derr	D8/356
D862,067	S *	10/2019	Feng	D3/207
D929,851	S *	9/2021	Deng	D8/356
2001/0018838	A1 *	9/2001	Perthou	A44B 15/00 70/456 R
2006/0090302	A1 *	5/2006	Colby	A45F 5/004 24/3.6

OTHER PUBLICATIONS

Tactical Key Keeper, unknown first available date, countrycomm.com [online], [site visited Oct. 15, 2021], Available at internet URL: <https://countycomm.com/products/tactical-key-keeper> (Year: 2021).*

XTACER Tactical Molle Key Ring Gear, first available Sep. 4, 2018, amazon.com [online], [site visited Oct. 15, 2021], Available at internet URL: <https://www.amazon.com/XTACER-Tactical-Molle-Keeper-Keychain/dp/B07H32DD5G> (Year: 2018).*

Campaign Leather Key Keeper, available from Jul. 3, 2021 based on customer photo review, missionmercantile.com [online], [site visited Oct. 15, 2021], Available at internet URL: <https://www.missionmercantile.com/products/campaign-leather-key-keeper?variant=32524232556604> (Year: 2021).*

* cited by examiner

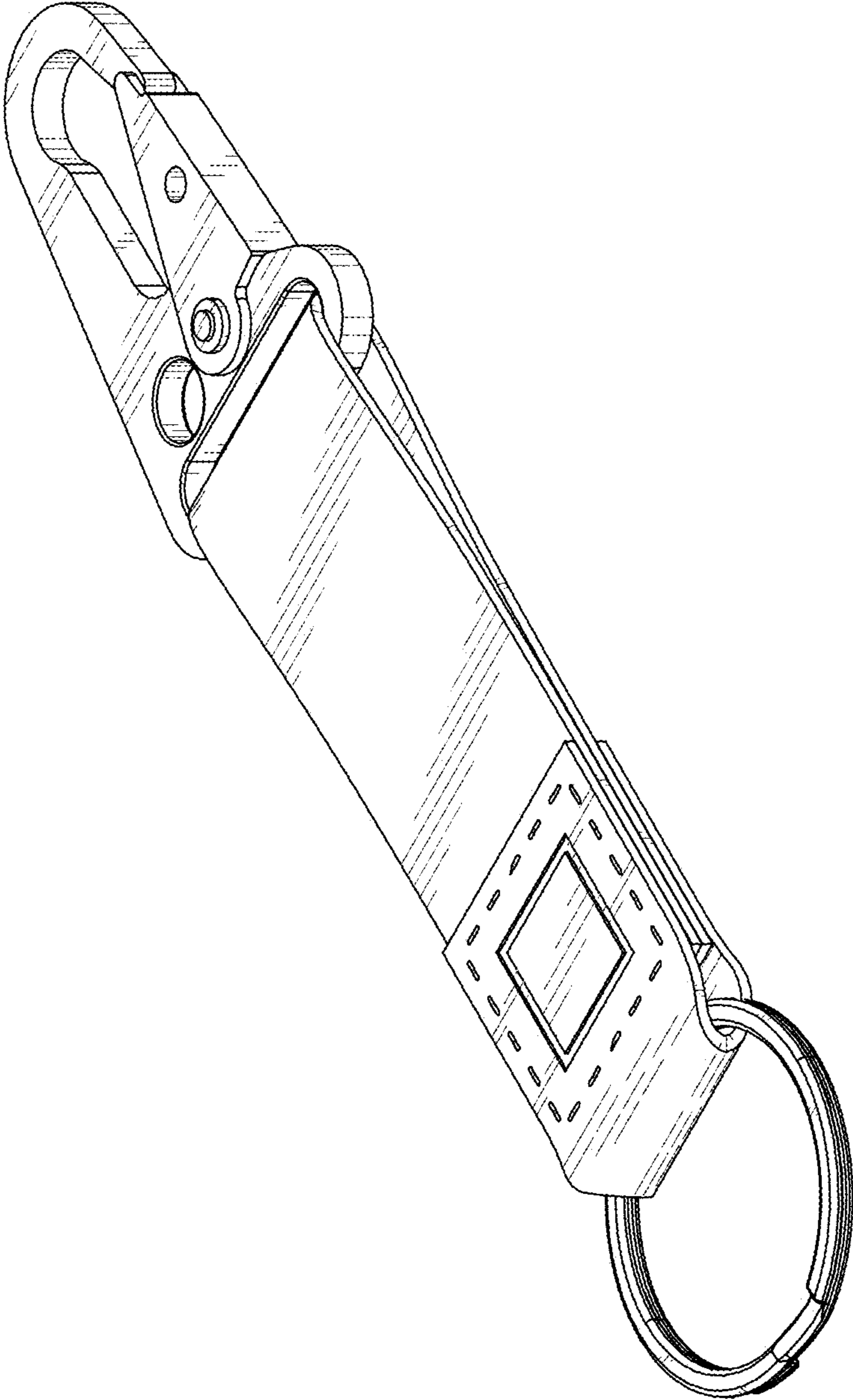


FIG. 1

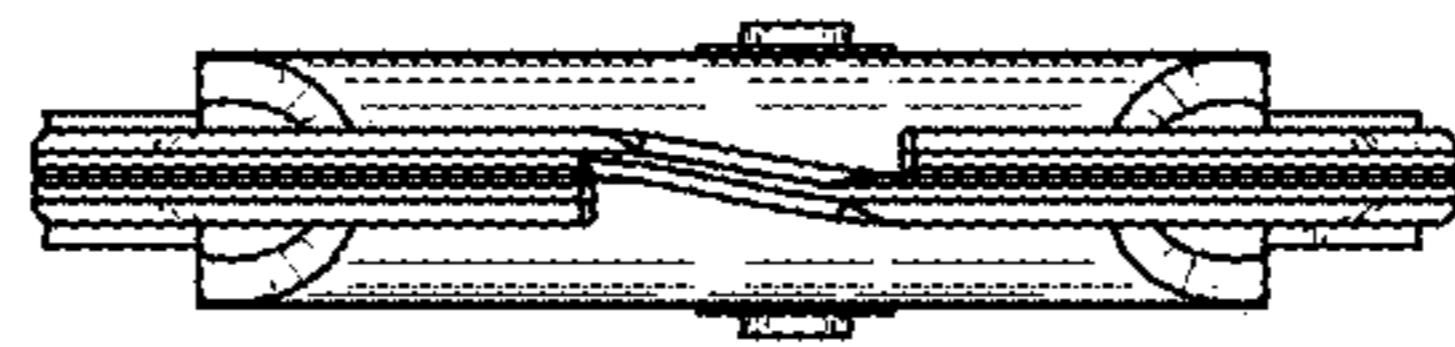


FIG. 2

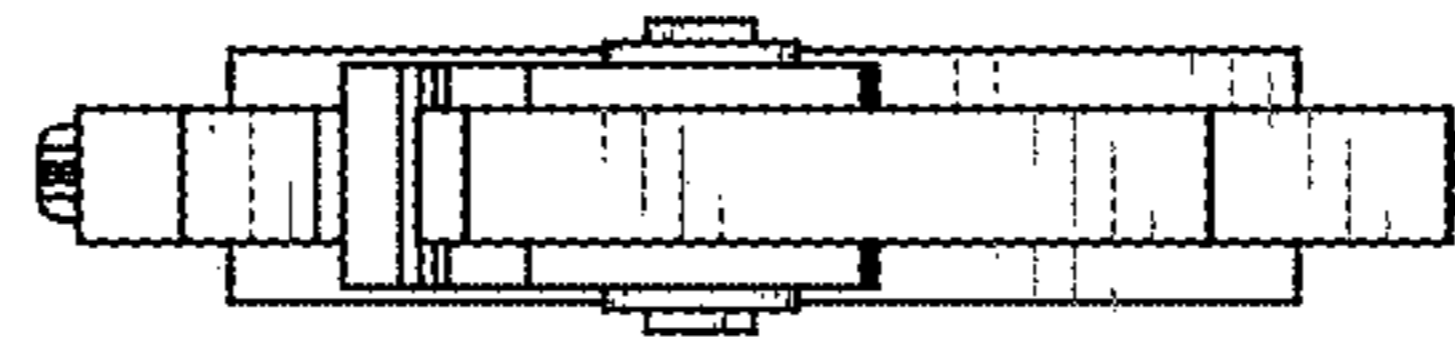


FIG. 3

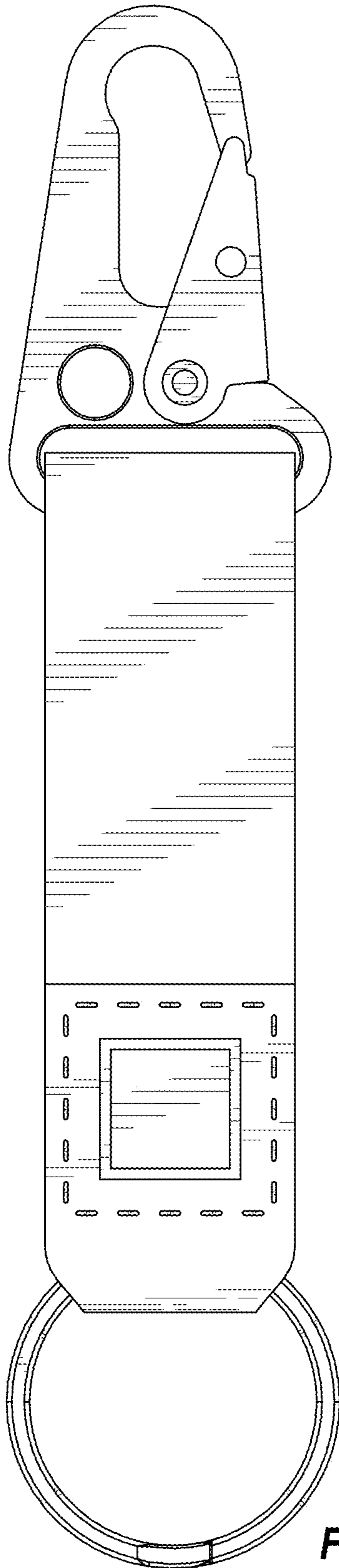


FIG. 4

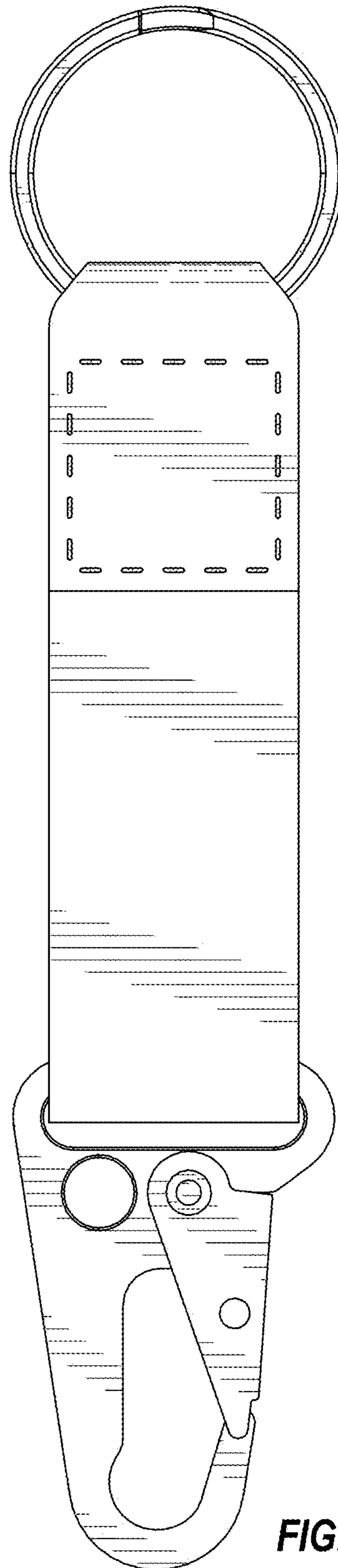


FIG. 5

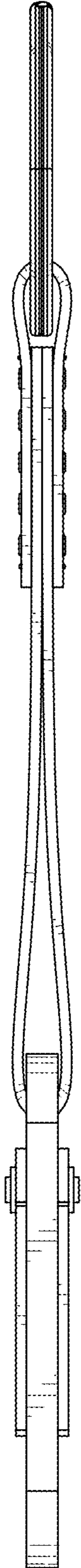


FIG. 6

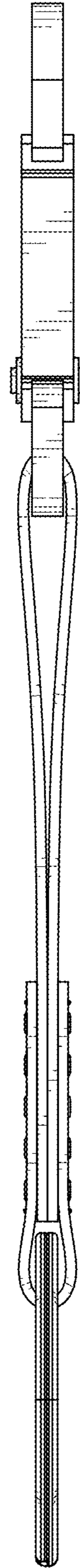


FIG. 7