



US00D946264S

(12) **United States Design Patent**
Long

(10) **Patent No.:** **US D946,264 S**

(45) **Date of Patent:** **** Mar. 22, 2022**

(54) **PENCIL CASE**

(71) Applicant: **Shenzhen Yusida Technology Co., Ltd.**, Guangdong (CN)

(72) Inventor: **Tiangui Long**, Hunan (CN)

(73) Assignee: **Shenzhen Yusida Technology Co., Ltd.**, Guangdong (CN)

(**) Term: **15 Years**

(21) Appl. No.: **29/781,158**

(22) Filed: **Apr. 28, 2021**

(51) **LOC (13) Cl.** **03-01**

(52) **U.S. Cl.**
USPC **D3/206**

(58) **Field of Classification Search**
USPC D3/206
CPC A45C 11/34; A45C 11/36
See application file for complete search history.

(56) **References Cited**

U.S. PATENT DOCUMENTS

D461,046 S	*	8/2002	Cohen	D3/205
D463,907 S	*	10/2002	Lemoine	D3/205
D479,041 S	*	9/2003	Fonfeder	D3/206
D790,211 S	*	6/2017	Constantini	D3/205
D816,984 S	*	5/2018	Jusic	D3/205
D858,086 S	*	9/2019	Case	D3/205

D861,325 S	*	10/2019	Chen	D3/205
D883,656 S	*	5/2020	Huai	D3/206
D903,300 S		12/2020	Chen		
D903,301 S		12/2020	Chen		
D918,573 S	*	5/2021	Qiao	D3/206
D919,958 S	*	5/2021	Peng	D3/206
D927,171 S	*	8/2021	Xie	D3/206
D938,715 S	*	12/2021	Long	D3/206

* cited by examiner

Primary Examiner — Charles D Hanson

(74) *Attorney, Agent, or Firm* — ScienBiziP, P.C.

(57) **CLAIM**

The ornamental design for a pencil case, as shown and described.

DESCRIPTION

FIG. 1 is a front, right, and top perspective view of a pencil case, showing my design.

FIG. 2 is a front elevation view thereof.

FIG. 3 is a rear elevation view thereof.

FIG. 4 is a left side elevation view thereof.

FIG. 5 is a right side elevation view thereof.

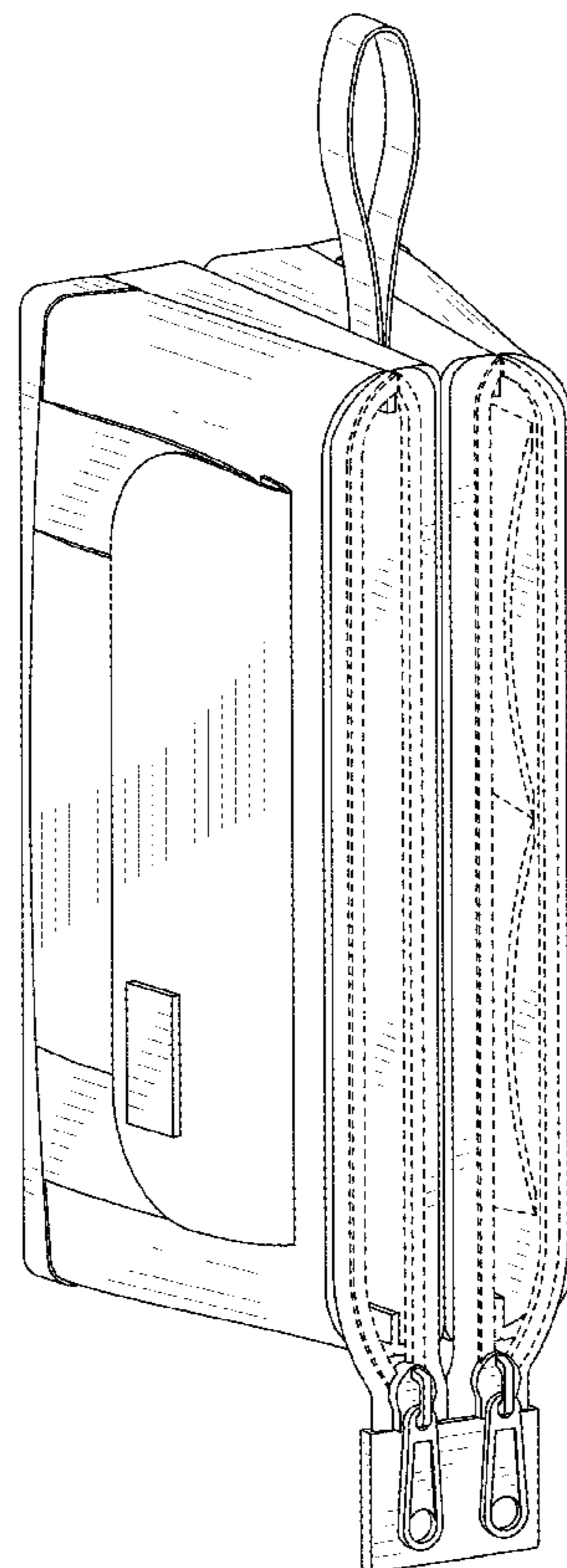
FIG. 6 is a top plan view thereof.

FIG. 7 is a bottom plan view thereof; and,

FIG. 8 is a perspective view of the pencil case of FIG. 1 wherein a zipper of the pencil case is closed.

The broken lines shown in the drawings are included for the purpose of illustrating portions of the pencil case that form no part of the claimed design.

1 Claim, 8 Drawing Sheets



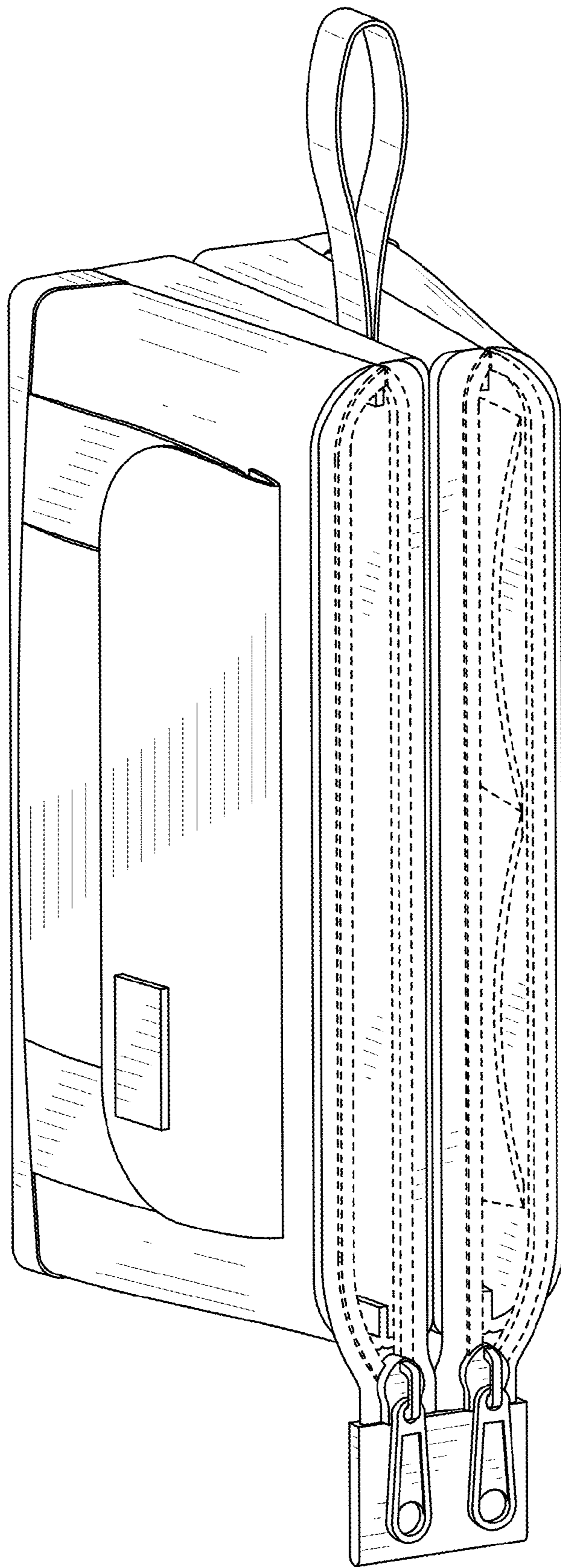


FIG.1

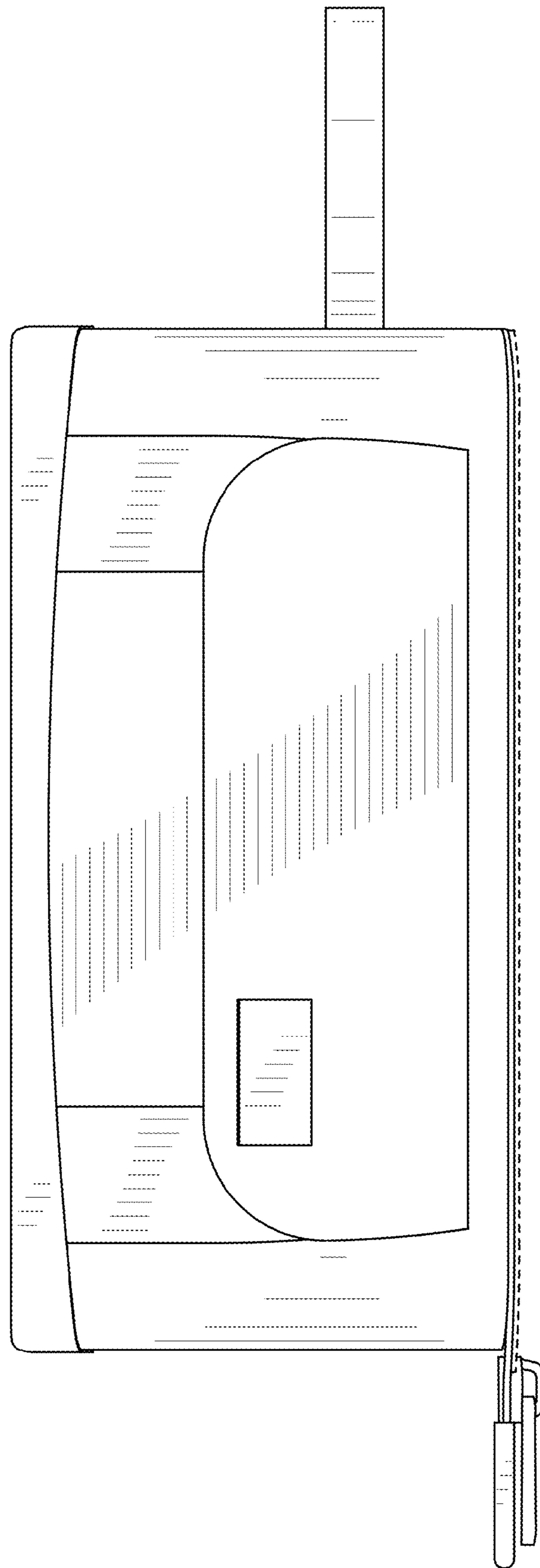


FIG.2

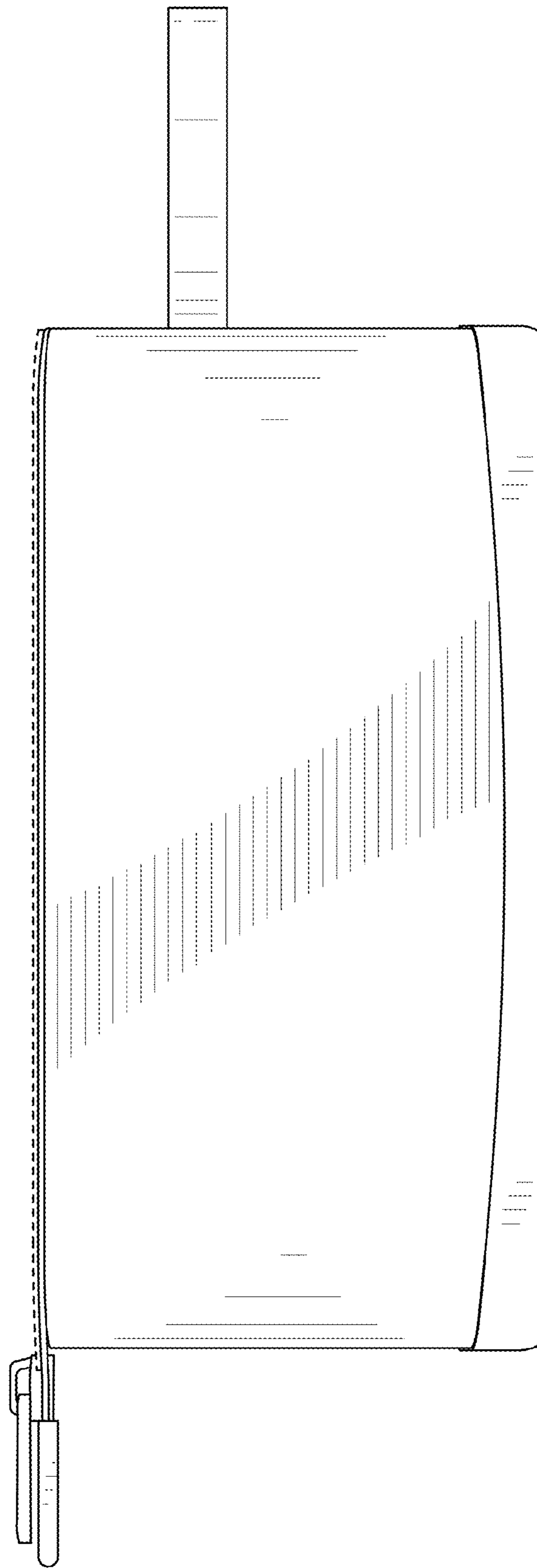


FIG.3

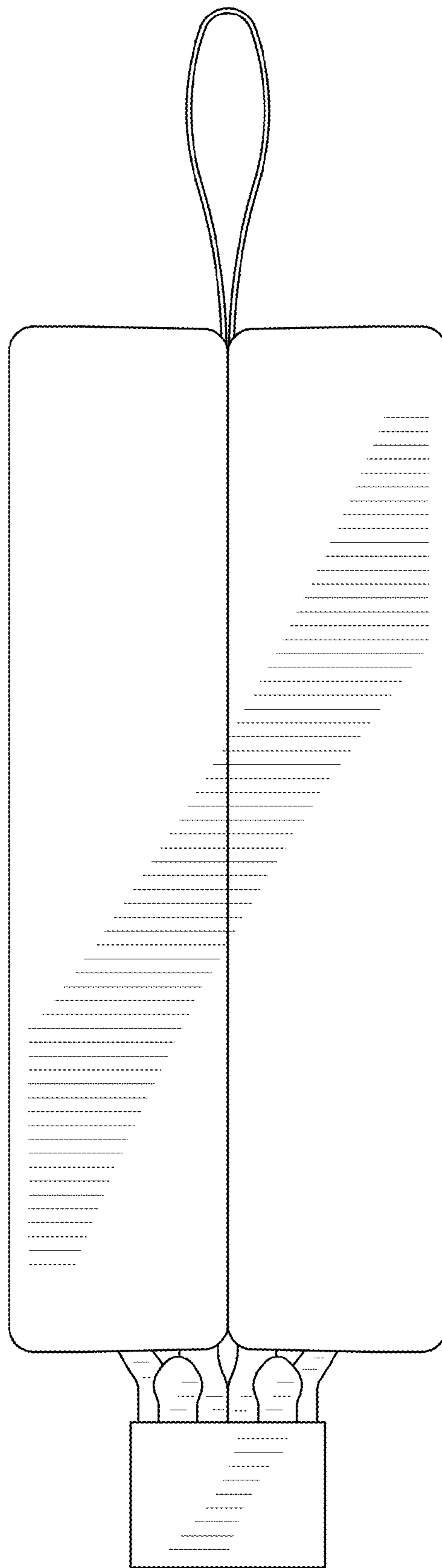


FIG.4

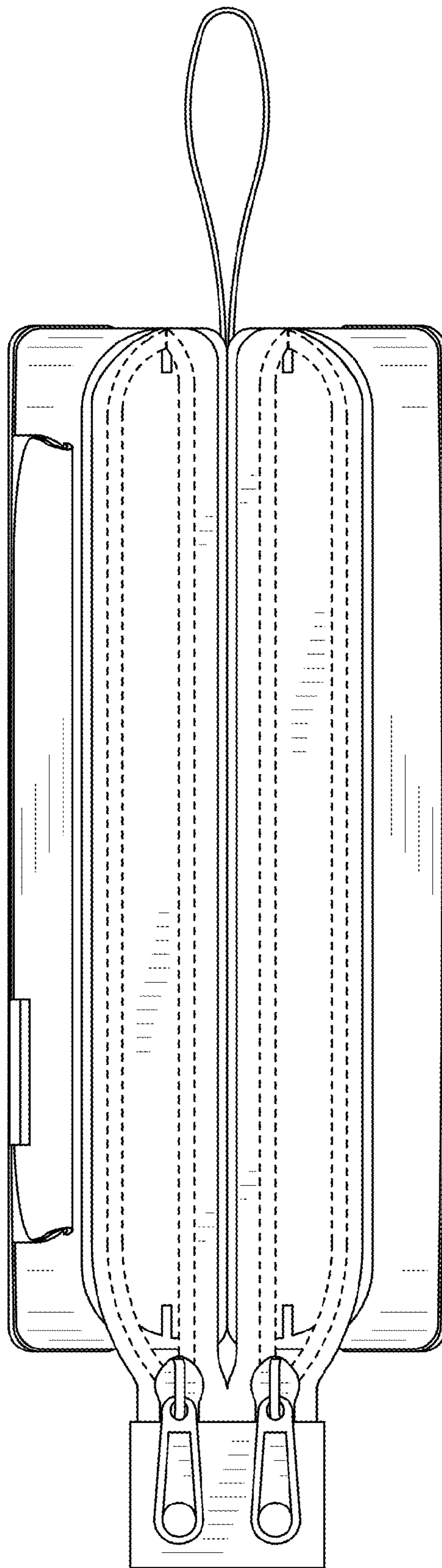


FIG.5

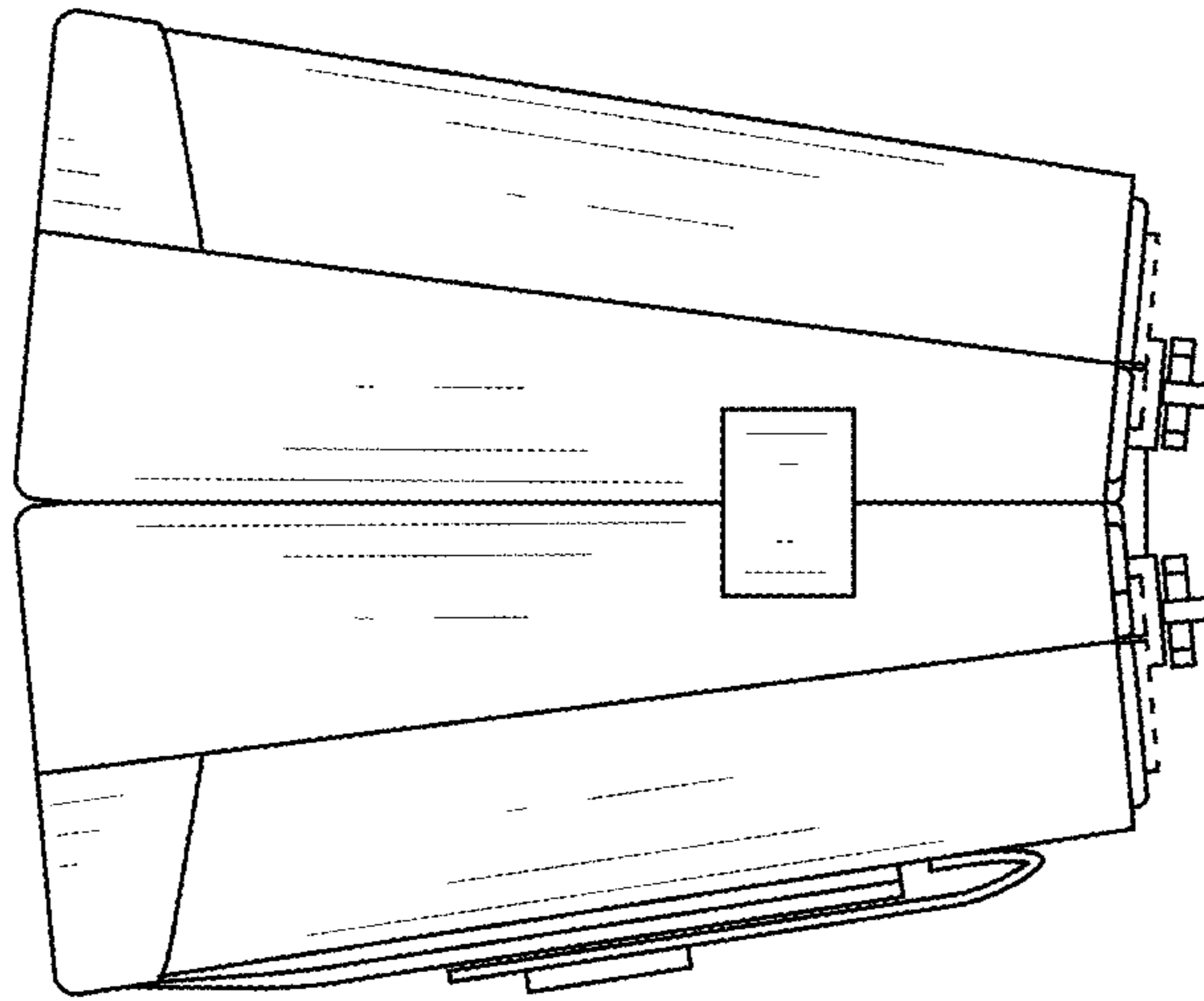


FIG.6

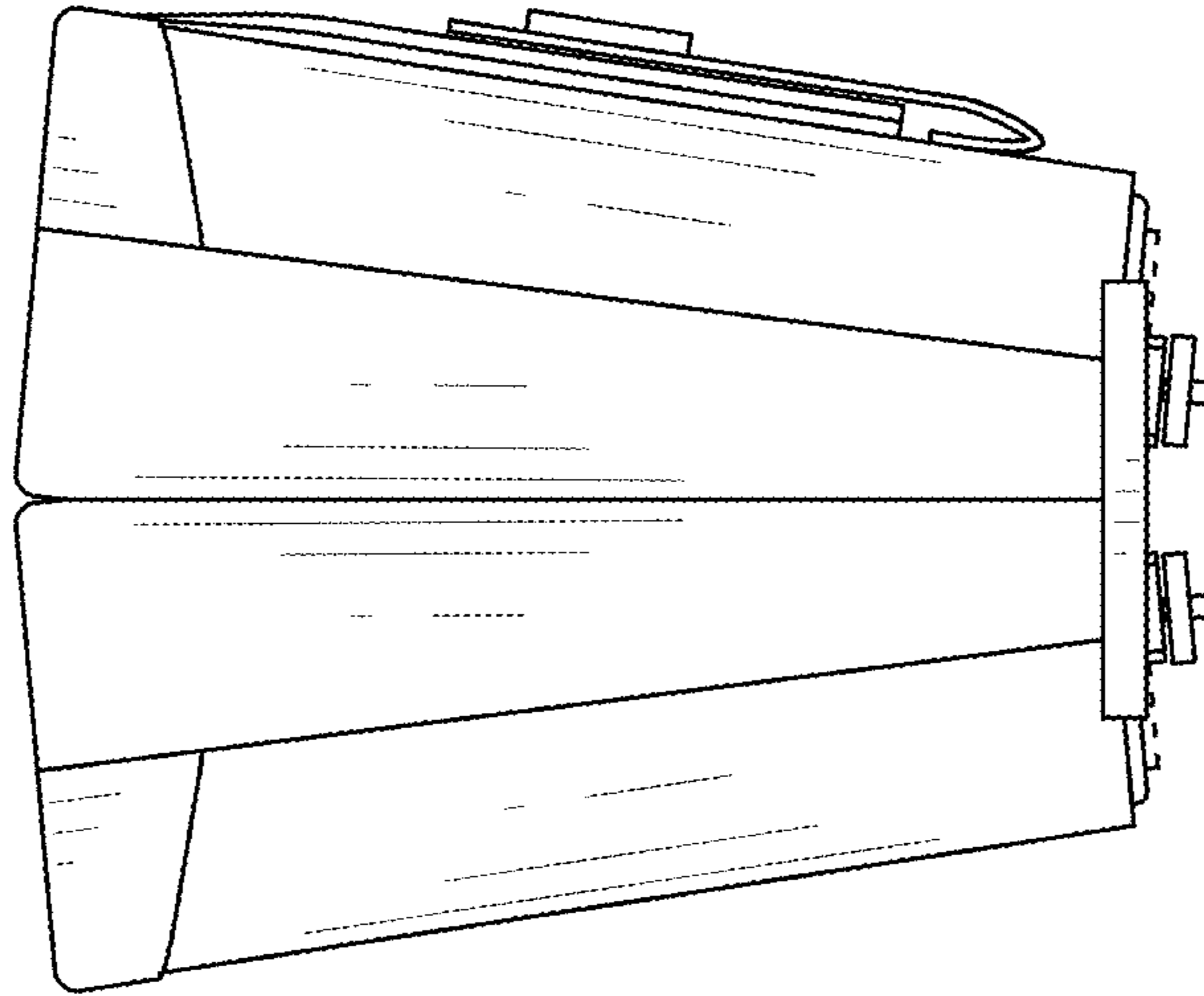


FIG.7

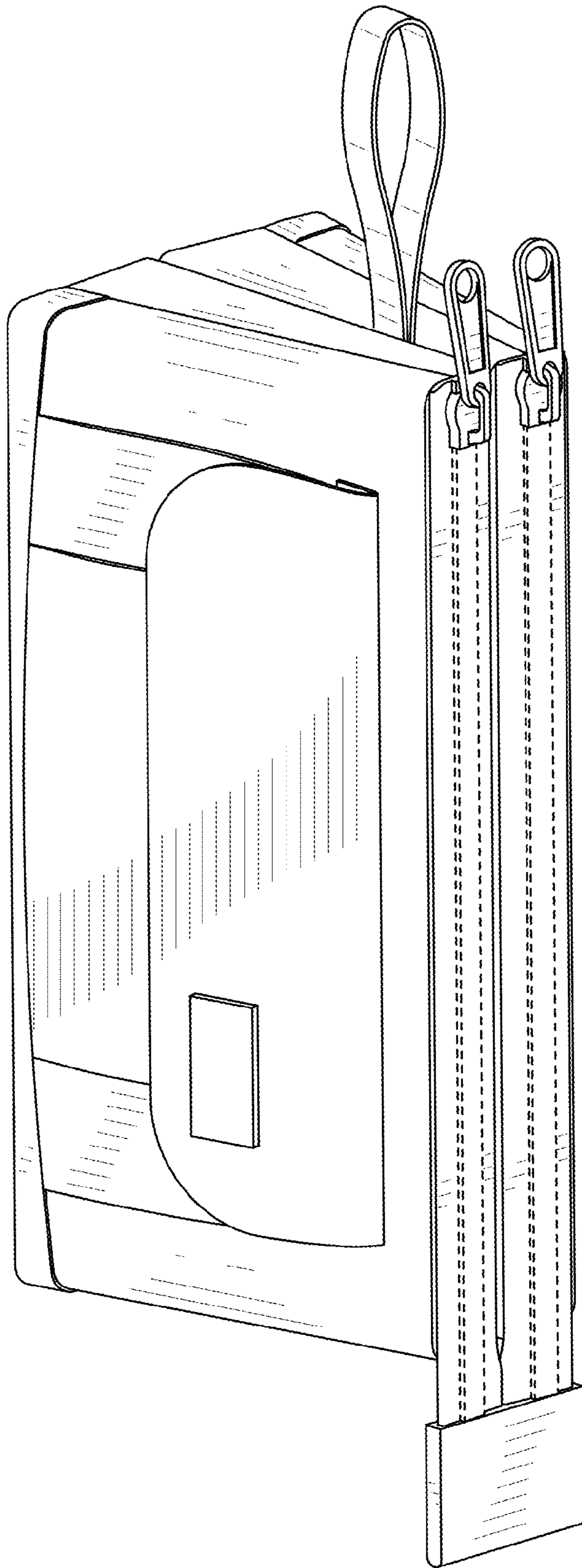


FIG. 8