

US00D946242S

(12) **United States Design Patent**
Xie

(10) **Patent No.:** **US D946,242 S**
(45) **Date of Patent:** **** Mar. 22, 2022**

- (54) **APRON**
- (71) Applicant: **Zechun Xie**, Shantou (CN)
- (72) Inventor: **Zechun Xie**, Shantou (CN)
- (**) Term: **15 Years**
- (21) Appl. No.: **29/773,840**
- (22) Filed: **Mar. 11, 2021**
- (51) **LOC (13) Cl.** **02-02**
- (52) **U.S. Cl.**
USPC **D2/861**
- (58) **Field of Classification Search**
USPC D2/860, 742, 861, 864; D3/224, 226
CPC A41D 13/05; A41D 13/00; A41D 13/02
See application file for complete search history.

(56) **References Cited**

U.S. PATENT DOCUMENTS

4,984,303	A *	1/1991	Ross	A41D 3/06 2/22
D321,969	S *	12/1991	Upthegrove, Jr.	D2/860
5,095,544	A *	3/1992	Elverskog	A41D 13/0543 2/2.5
D344,620	S *	3/1994	Lavell	D2/742
D373,892	S *	9/1996	Landwehr	D2/742
6,202,215	B1 *	3/2001	Sauter	A41D 13/0012 2/51
6,338,164	B1 *	1/2002	Howard	A41D 13/015 2/23
7,007,832	B1 *	3/2006	Payne	A45D 44/02 224/660
D605,378	S *	12/2009	Mitchell	D2/864
D621,589	S *	8/2010	Wu	D2/864
D906,637	S *	1/2021	Bartsch	D2/861
2007/0245469	A1 *	10/2007	Young	A41D 13/0543 2/458

2008/0280737	A1 *	11/2008	Cook	A63B 21/065 482/105
2013/0191956	A1 *	8/2013	Elliott	A41D 13/0531 2/46
2014/0230116	A1 *	8/2014	Weber	A41D 13/0568 2/22
2017/0188641	A1 *	7/2017	Bell	A41F 9/025
2019/0357606	A1 *	11/2019	Venekamp	A41D 13/0002

OTHER PUBLICATIONS

Farrier Apron Professional Chaps by Hoofere, posted to amazon.com. Available date: Jan. 20, 2021 [site visited Oct. 21, 2021] Available: <<https://www.amazon.com/Professional-Hoofere-Flame-Resistant-Adjustable-waistline/dp/B08TJ13L7X>> (Year: 2021).*

(Continued)

Primary Examiner — Kevin K Rudzinski

(57) **CLAIM**

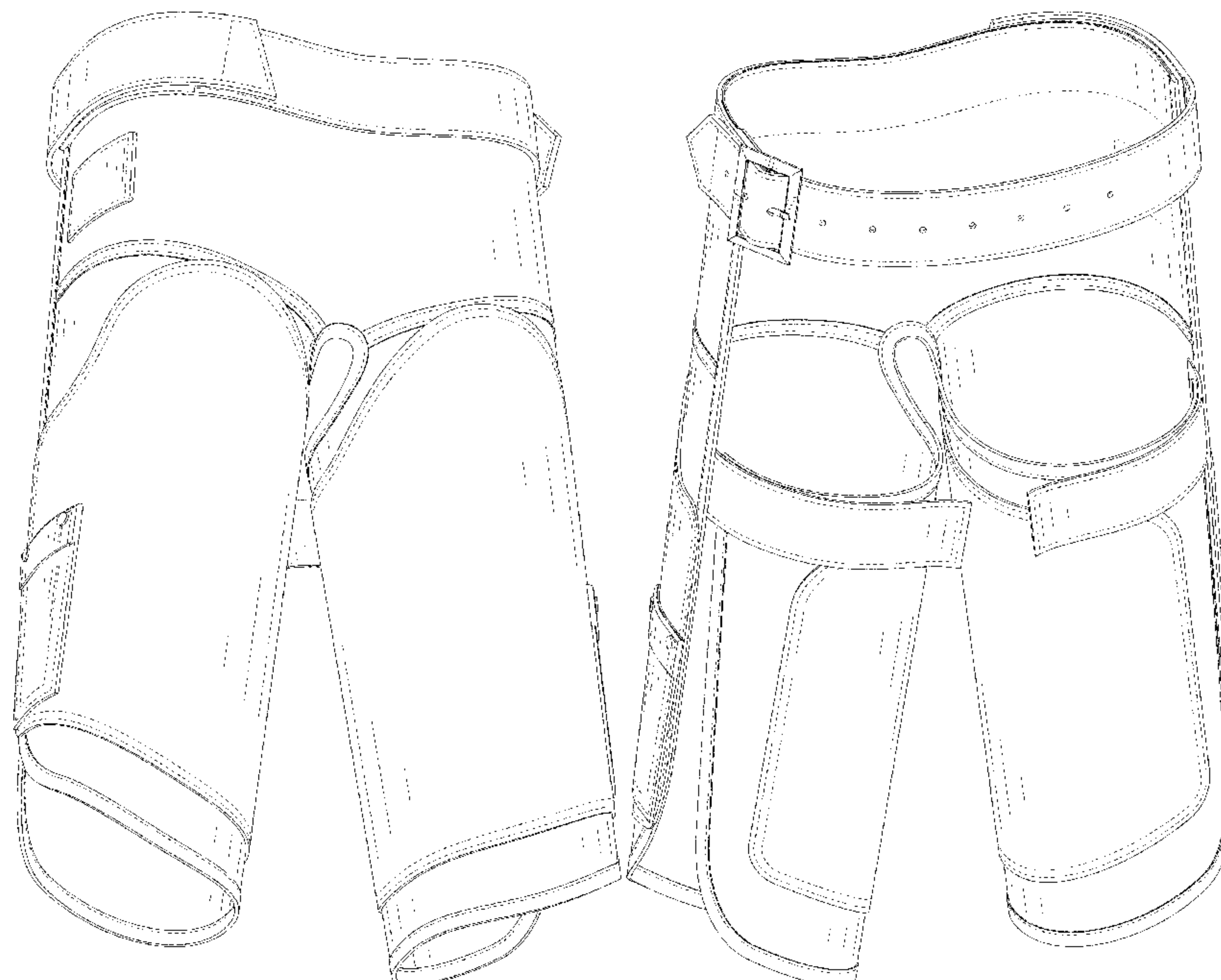
The ornamental design for an apron, as shown and described.

DESCRIPTION

FIG. 1 is a perspective view of an apron showing my new design;
 FIG. 2 is another perspective view thereof;
 FIG. 3 is a front elevational view thereof;
 FIG. 4 is a rear elevational view thereof;
 FIG. 5 is a left side elevational view thereof;
 FIG. 6 is a right side elevational view thereof;
 FIG. 7 is a top plan view thereof; and,
 FIG. 8 is a bottom plan view thereof.

The thick long even-spaced broken lines in the apron depict stitching that form no part of the claimed design. The thin short even-spaced broken lines in the drawings depict portions of the apron that form no part of the claimed design.

1 Claim, 8 Drawing Sheets



(56)

References Cited

OTHER PUBLICATIONS

Tough-1 Professional Deluxe Leather Farrier Apron posted to statelinetack.com. Available date: Aug. 7, 2017 [site visited Oct. 22, 2021] Available: <<https://www.statelinetack.com/item/tough-1-professional-deluxe-leather-farrier-apron/E021406/>> (Year: 2016).*

Tough-1 Professional Deluxe Leather Farrier Apron posted to amazon.com. Available date: Nov. 22, 2016 [site visited Oct. 22, 2021] Available: <<https://www.amazon.com/Tough-Professional-Deluxe-Leather-Farrier/dp/B01NBARBT7>> (Year: 2016).*

* cited by examiner



FIG. 1

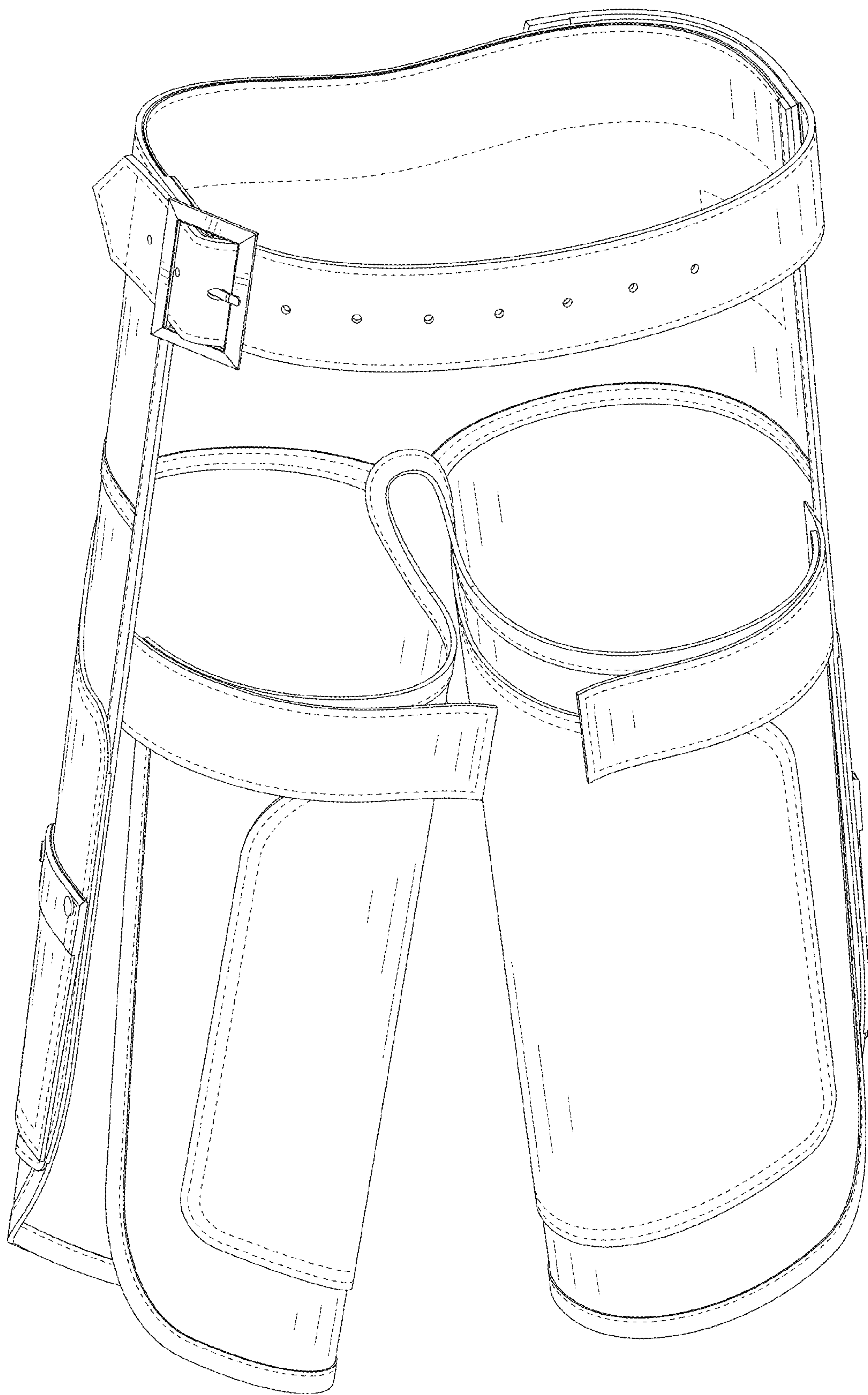


FIG. 2

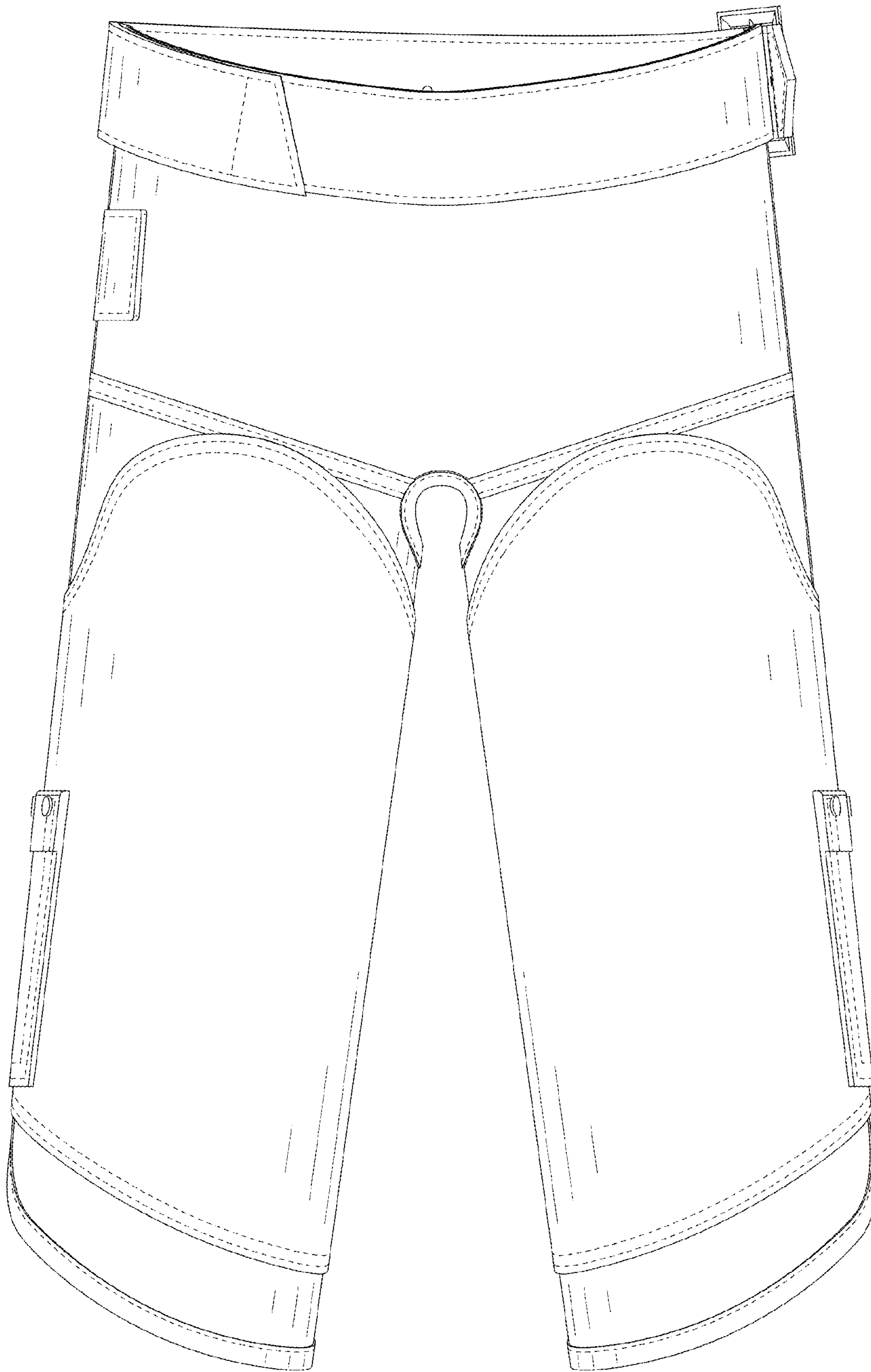


FIG. 3

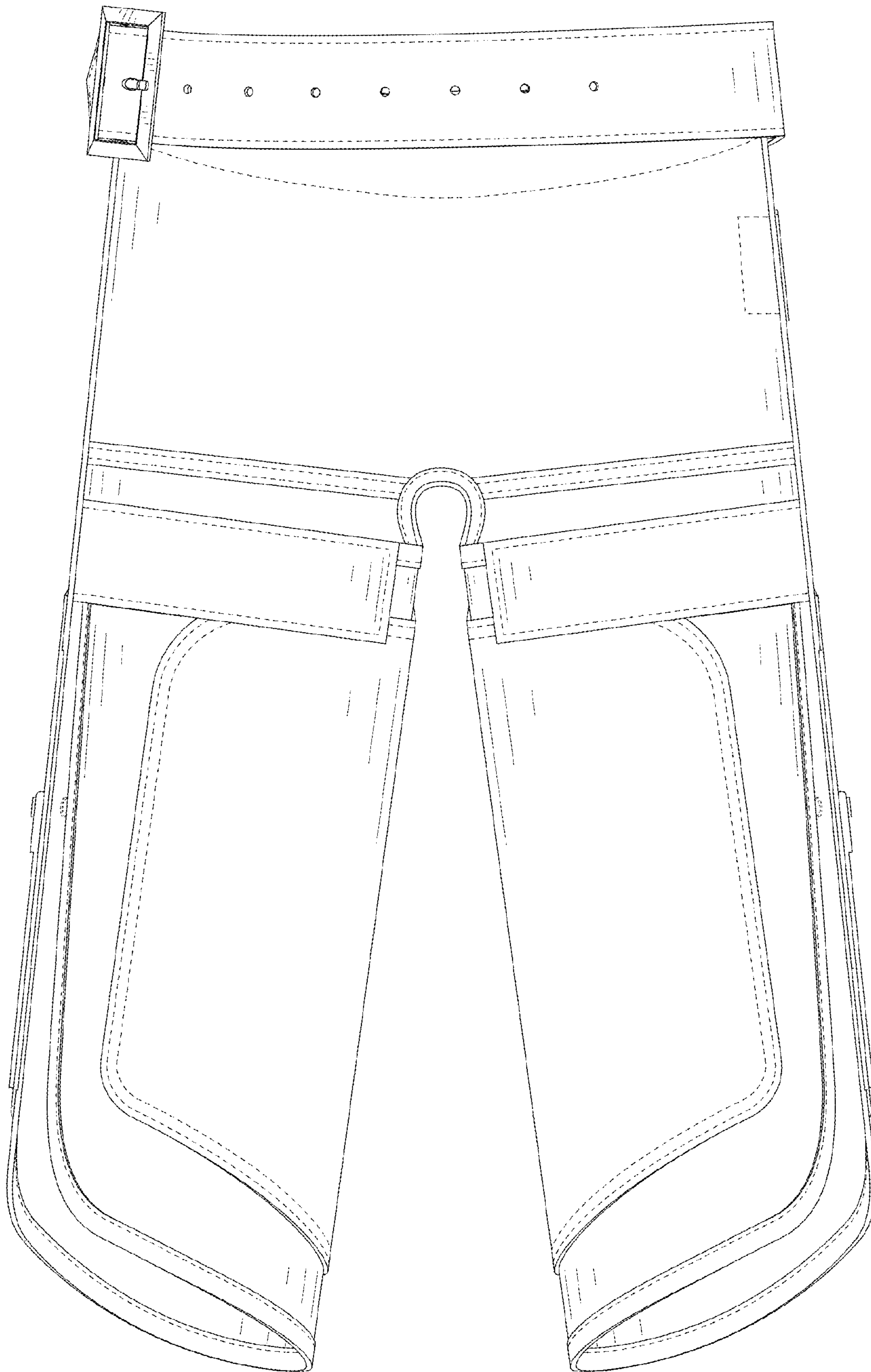


FIG. 4

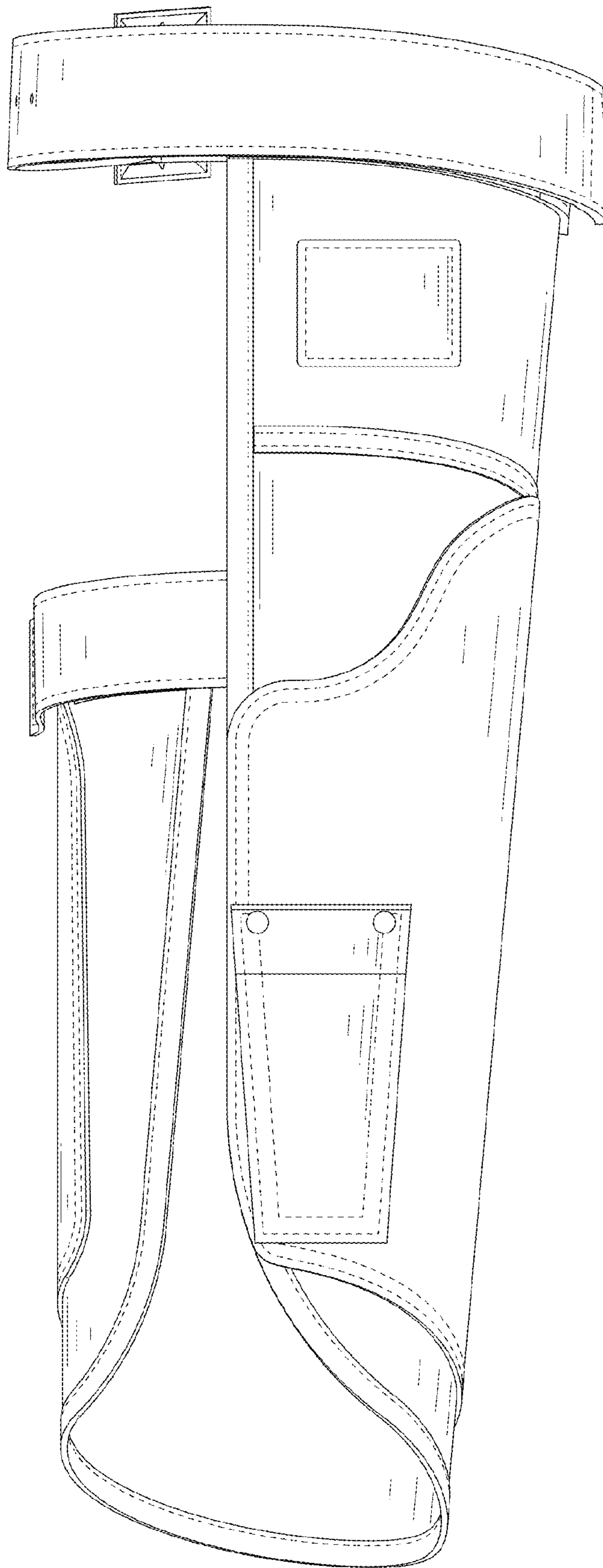


FIG. 5

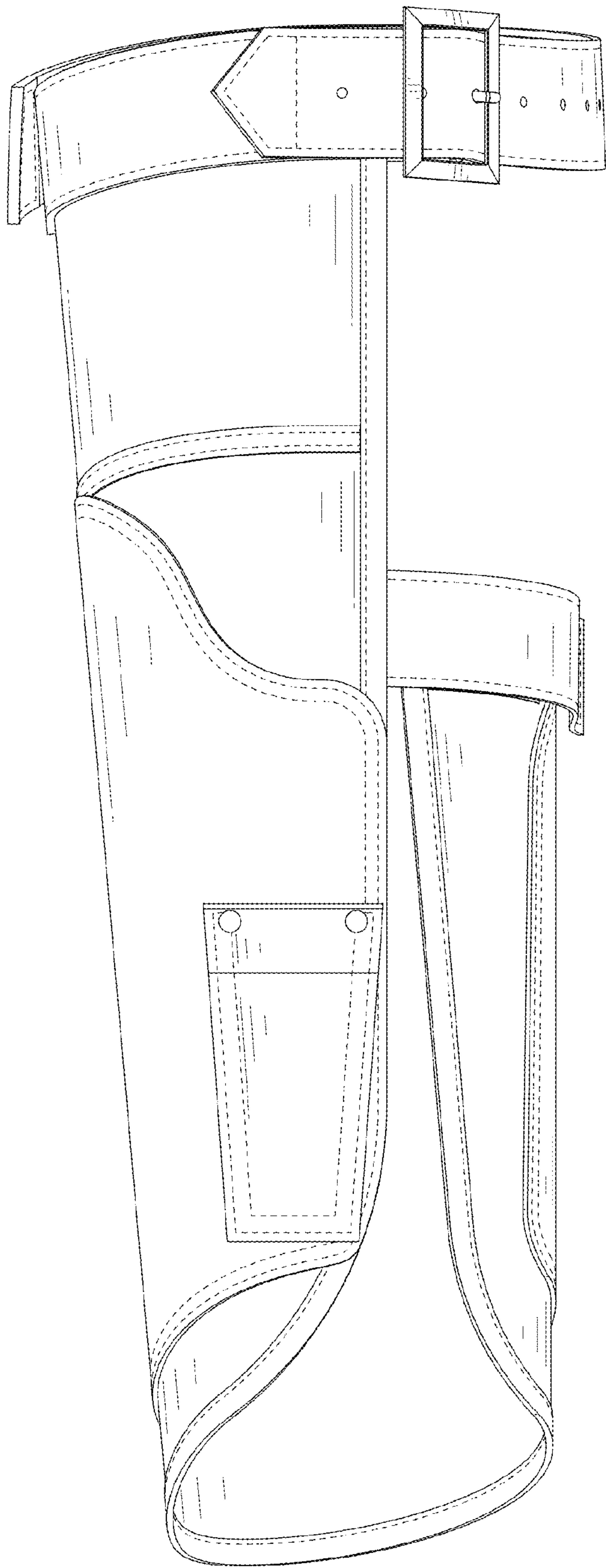


FIG. 6

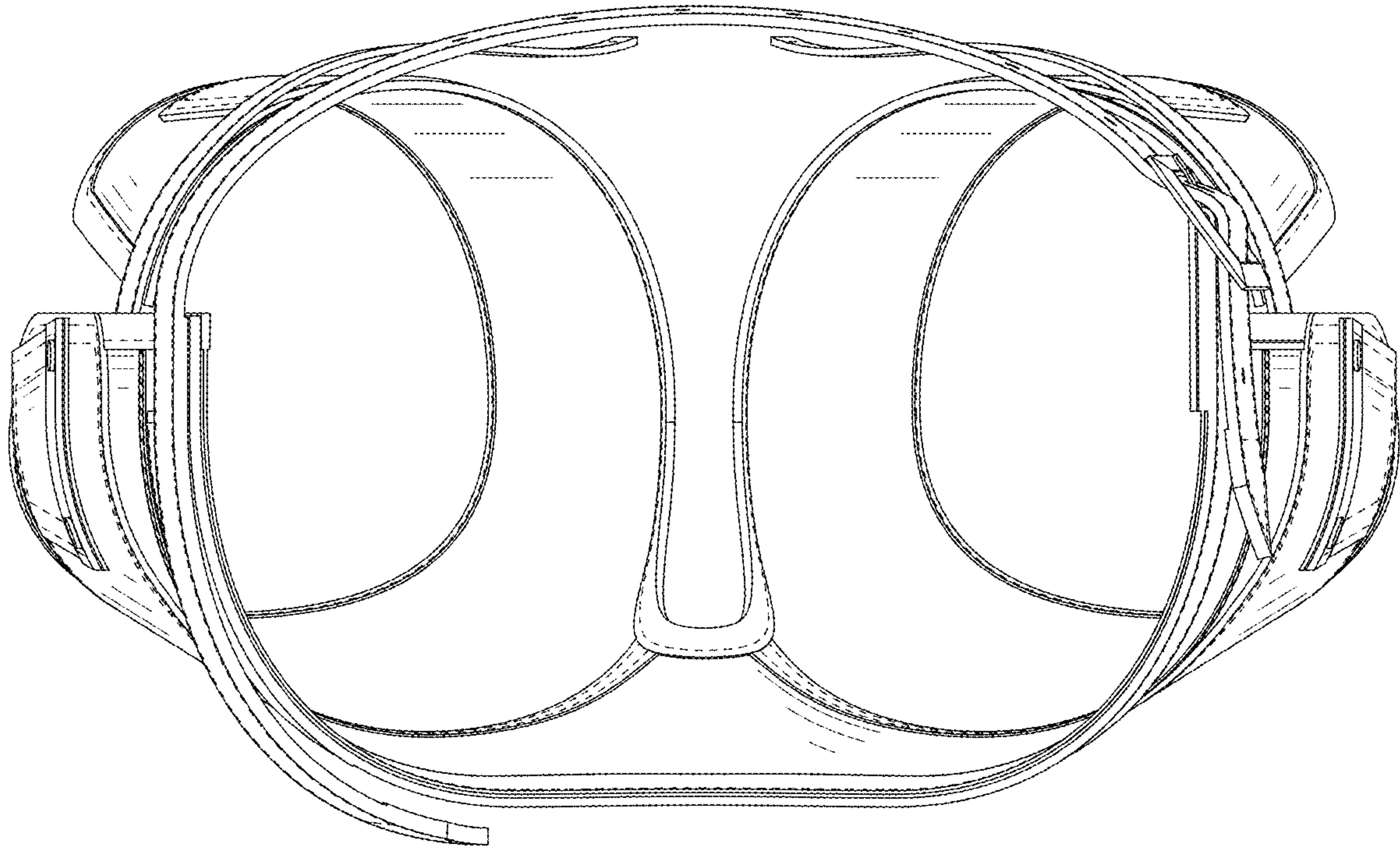


FIG. 7

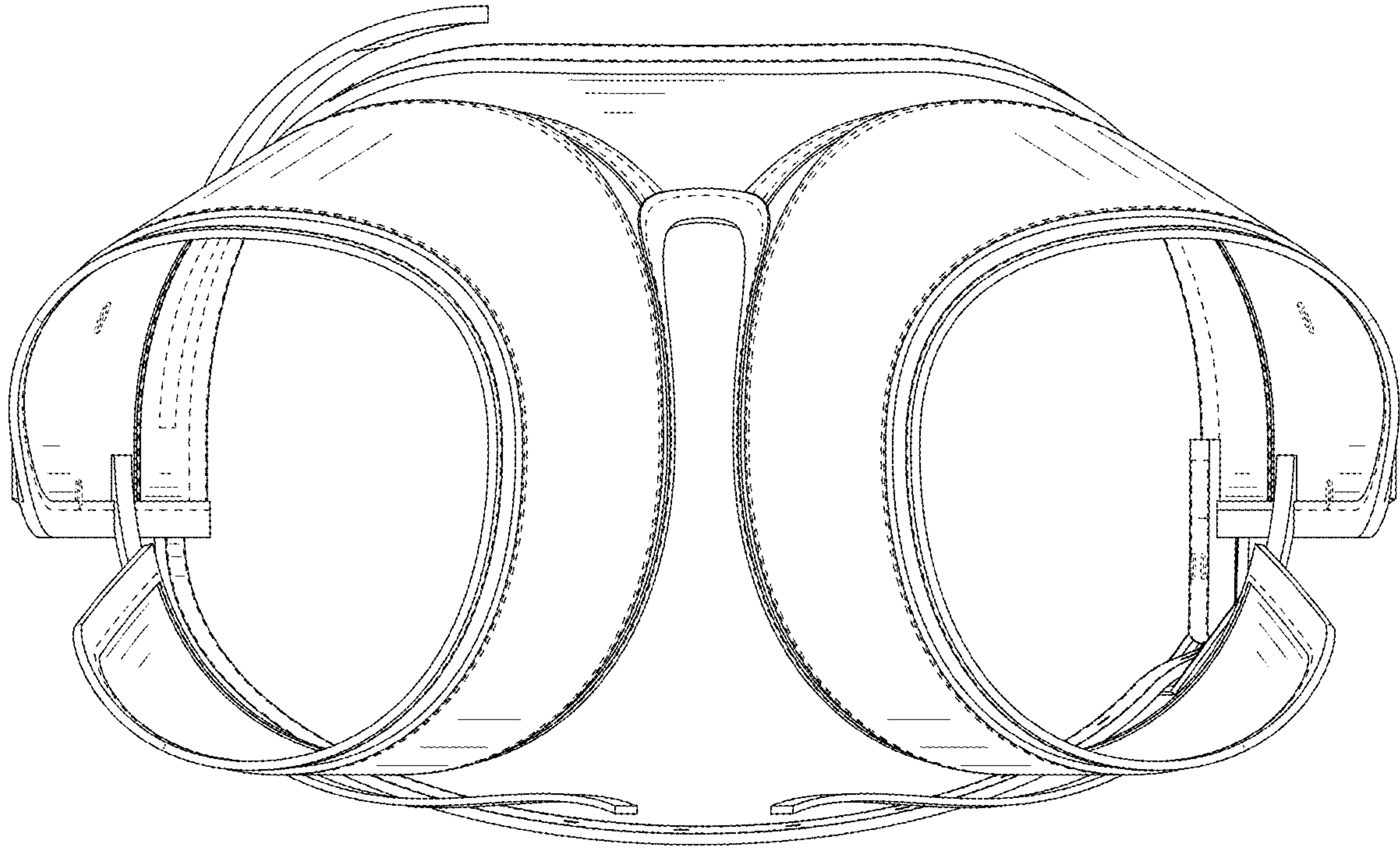


FIG. 8