

US00D946241S

(12) **United States Design Patent**
Kjar

(10) **Patent No.:** **US D946,241 S**
(45) **Date of Patent:** **** Mar. 22, 2022**

- (54) **WAISTBAND EXTENDER**
- (71) Applicant: **Maeband, LLC**, Herriman, UT (US)
- (72) Inventor: **Holly Kjar**, Herriman, UT (US)
- (**) Term: **15 Years**
- (21) Appl. No.: **29/765,903**
- (22) Filed: **Jan. 12, 2021**
- (51) **LOC (13) Cl.** **02-02**
- (52) **U.S. Cl.**
USPC **D2/853**
- (58) **Field of Classification Search**
USPC D2/853, 624; D24/190, 200
CPC A41F 9/02
See application file for complete search history.

(56) **References Cited**

U.S. PATENT DOCUMENTS

592,001	A *	10/1897	Daum	A41F 9/002
					2/301
1,540,003	A *	6/1925	Haller	A41F 9/00
					2/309
4,800,594	A	1/1989	Young		
4,920,581	A *	5/1990	Gray	A41F 9/02
					2/221
5,163,184	A *	11/1992	Reardon	A41D 1/06
					2/218
5,566,397	A	10/1996	Scott		
6,219,848	B1	4/2001	Russell		
6,292,950	B1	9/2001	Mentone		
7,937,776	B1 *	5/2011	Anderson	A41F 9/002
					2/338
D676,627	S *	2/2013	Doss	D2/624
8,460,225	B2	6/2013	Wickstrom		
D784,546	S *	4/2017	Gordon	D24/190
10,856,596	B1 *	12/2020	Banas	A44B 19/301

(Continued)

OTHER PUBLICATIONS

Maeband Maternity Belly Band posted to amazon.com. Available date: Nov. 12, 2016 [site visited Dec. 23, 2021] Available: <https://

www.amazon.com/Maeband-Maternity-Pregnancy-Waistband-Extender/dp/B01N9417XA> (Year: 2016).*

(Continued)

Primary Examiner — Kevin K Rudzinski
(74) *Attorney, Agent, or Firm* — David R. Conklin;
Kirton McConkie

(57) **CLAIM**

The ornamental design for a waistband extender, as shown and described.

DESCRIPTION

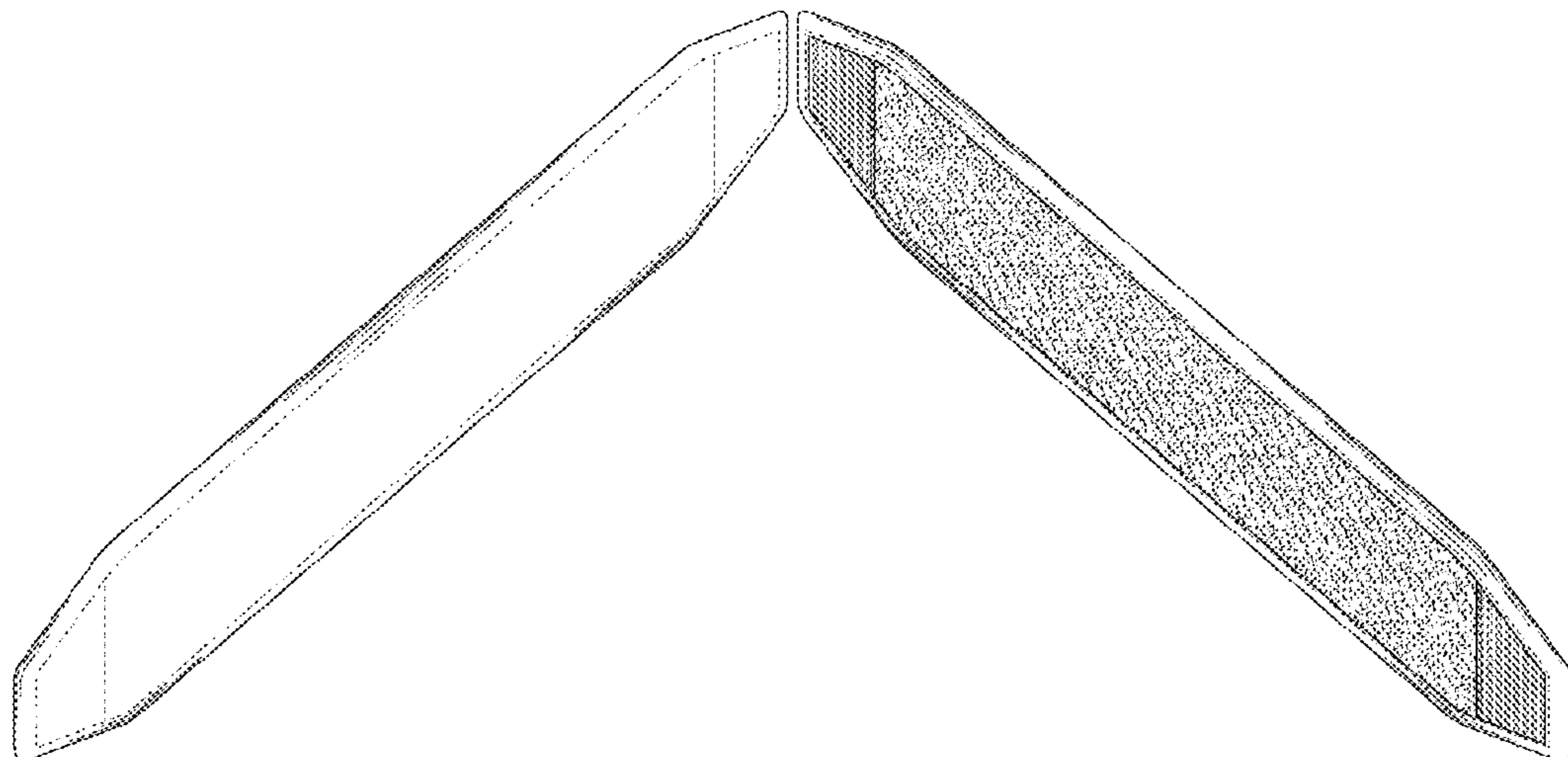
FIG. 1 is a front, top and left side perspective view of a waistband extender showing my new design. in accordance with the present design.

FIG. 2 is a rear, top and left side perspective view of my new design. The continuous S-shaped pattern shown along the middle of the waistband extender in FIG. 2, and as used in FIGS. 4, 7 and 8, is meant to represent a loop fabric. The S-shaped pattern shown in the trapezoid shape at the ends of the waistband extender in FIG. 2, and as used in FIG. 4, is meant to represent a hook fabric, and is further meant to be different from the loop fabric described above.

FIG. 3 is a front elevation view of my new design.
FIG. 4 is a rear elevation view of my new design.
FIG. 5 shows left side and right side elevation views of my new design.
FIG. 6 shows top and bottom plan views of my new design.
FIG. 7 is a front, top and left side perspective view of my new design in use; and,
FIG. 8 is a rear, top and left side perspective view of my new design in use.

The dashed lines in the drawings represent stitching and form no part of the claimed design.

1 Claim, 6 Drawing Sheets



(56)

References Cited

U.S. PATENT DOCUMENTS

D917,054 S * 4/2021 Woo D24/190
D918,403 S * 5/2021 Chen D24/200
D937,427 S * 11/2021 Li D24/190
2009/0089985 A1 4/2009 Cazella
2010/0162468 A1* 7/2010 Hanson A41F 9/002
2/338
2013/0198939 A1 8/2013 Herman
2014/0378880 A1 12/2014 Arsenault et al.
2018/0116320 A1 5/2018 Kjar
2019/0200694 A1 7/2019 Kjar
2020/0329797 A1 10/2020 Stone

OTHER PUBLICATIONS

Pant Extender for Pregnancy—Waistband Extender Maternity Pants
Extender Band by Healthyezz Personal Care, posted to amazon.
com. Available date: Dec. 16, 2018 [site visited Dec. 23, 2021]
Available: <<https://www.amazon.com/Extender-Pregnancy-Waistband-Maternity-Extenders/dp/B07LDW9BDD>> (Year: 2018).*

* cited by examiner

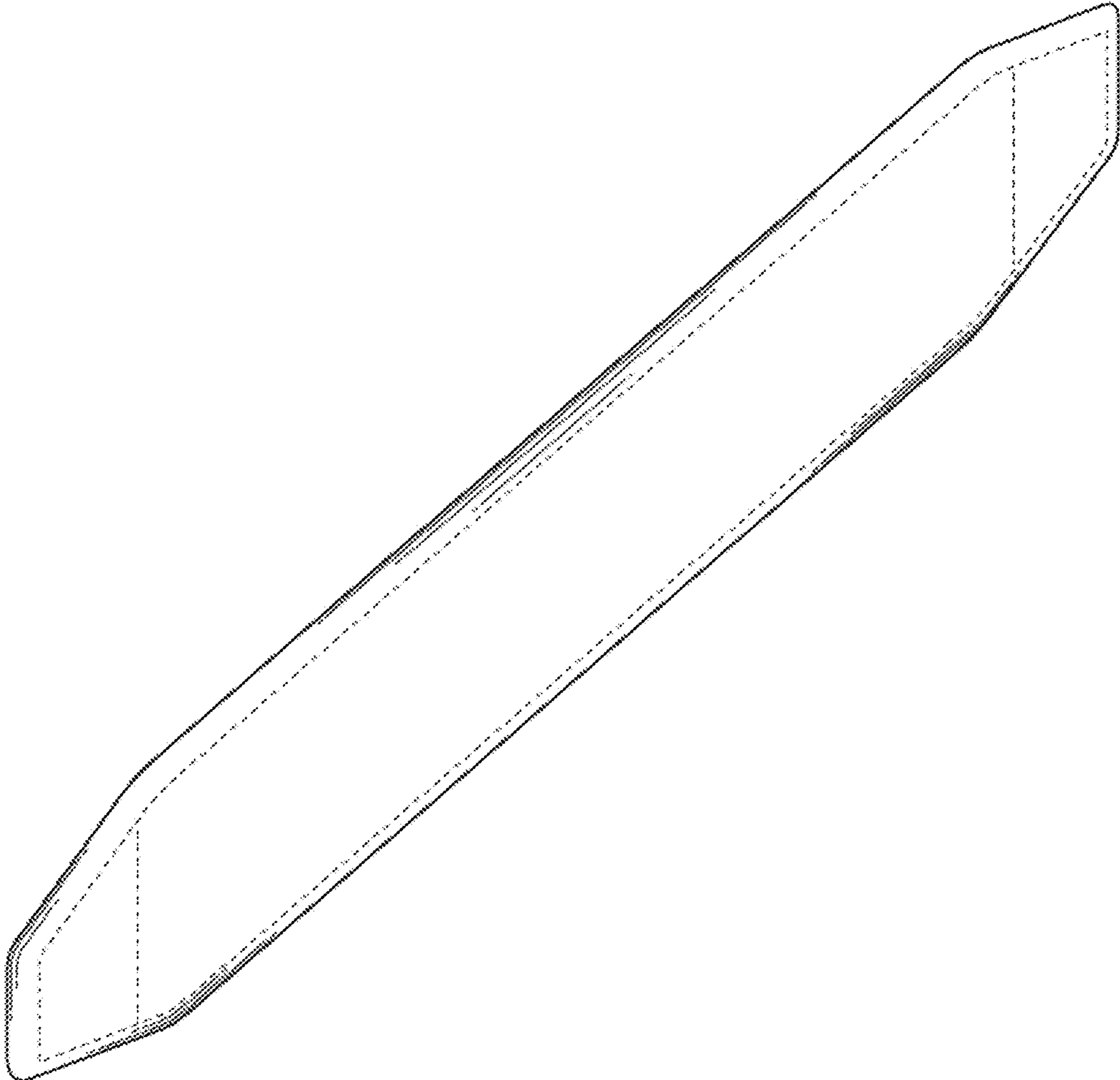


FIG. 1

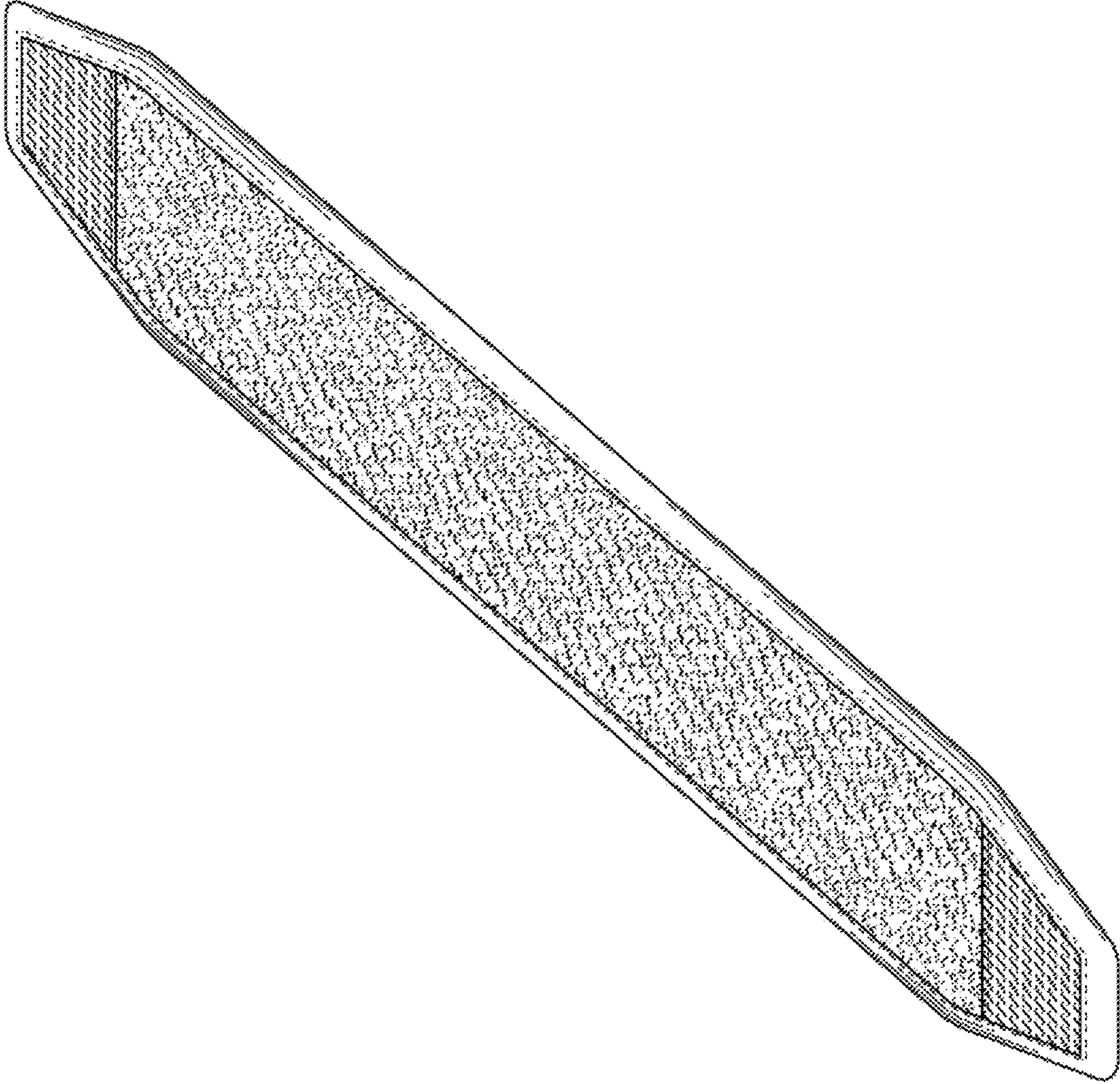


FIG. 2

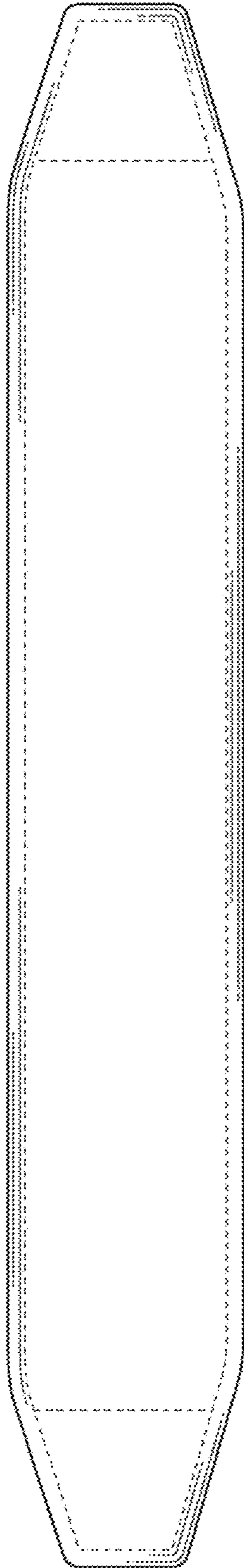


FIG. 3

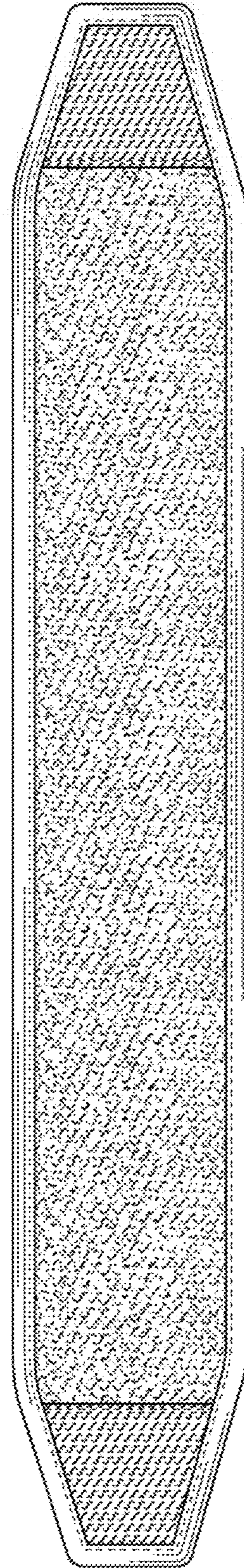


FIG. 4



FIG. 5

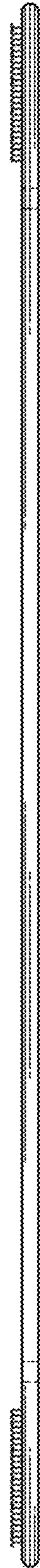


FIG. 6

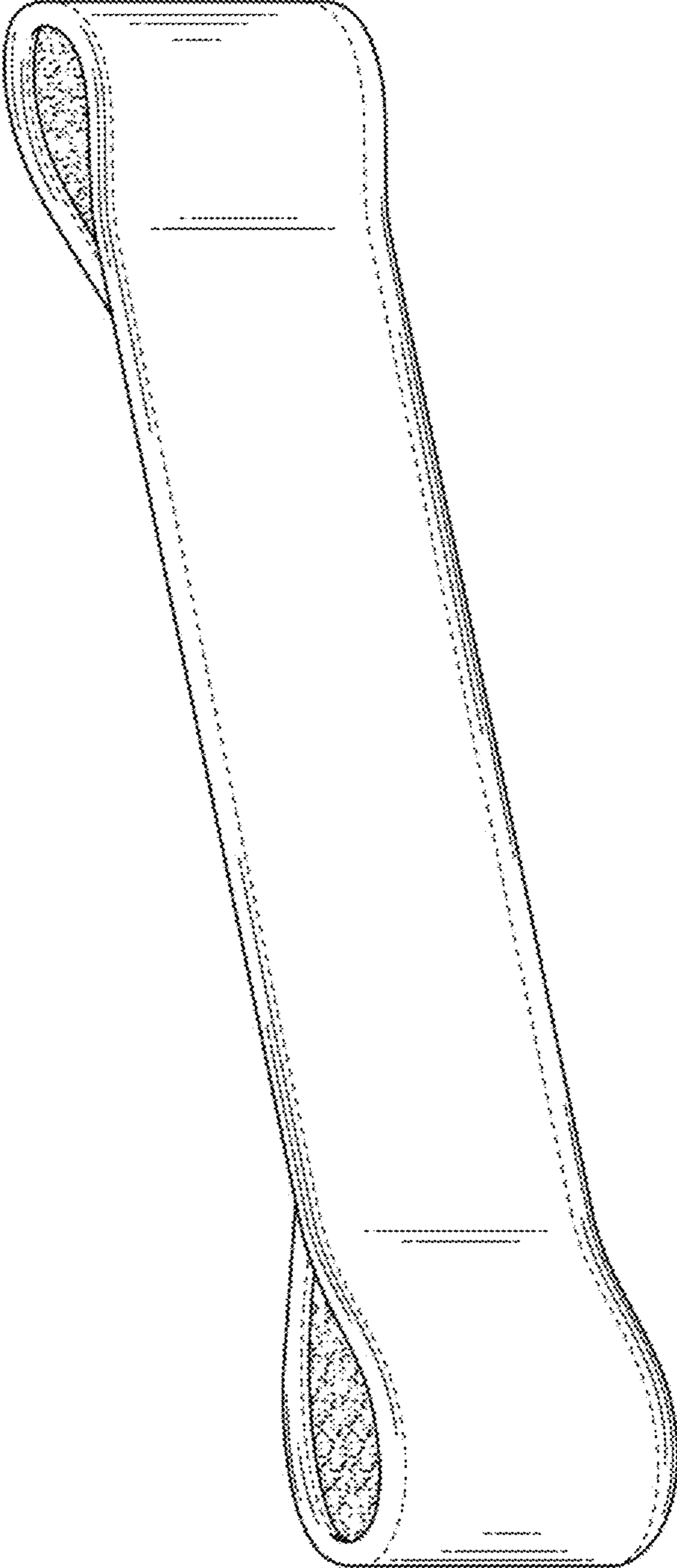


FIG. 7

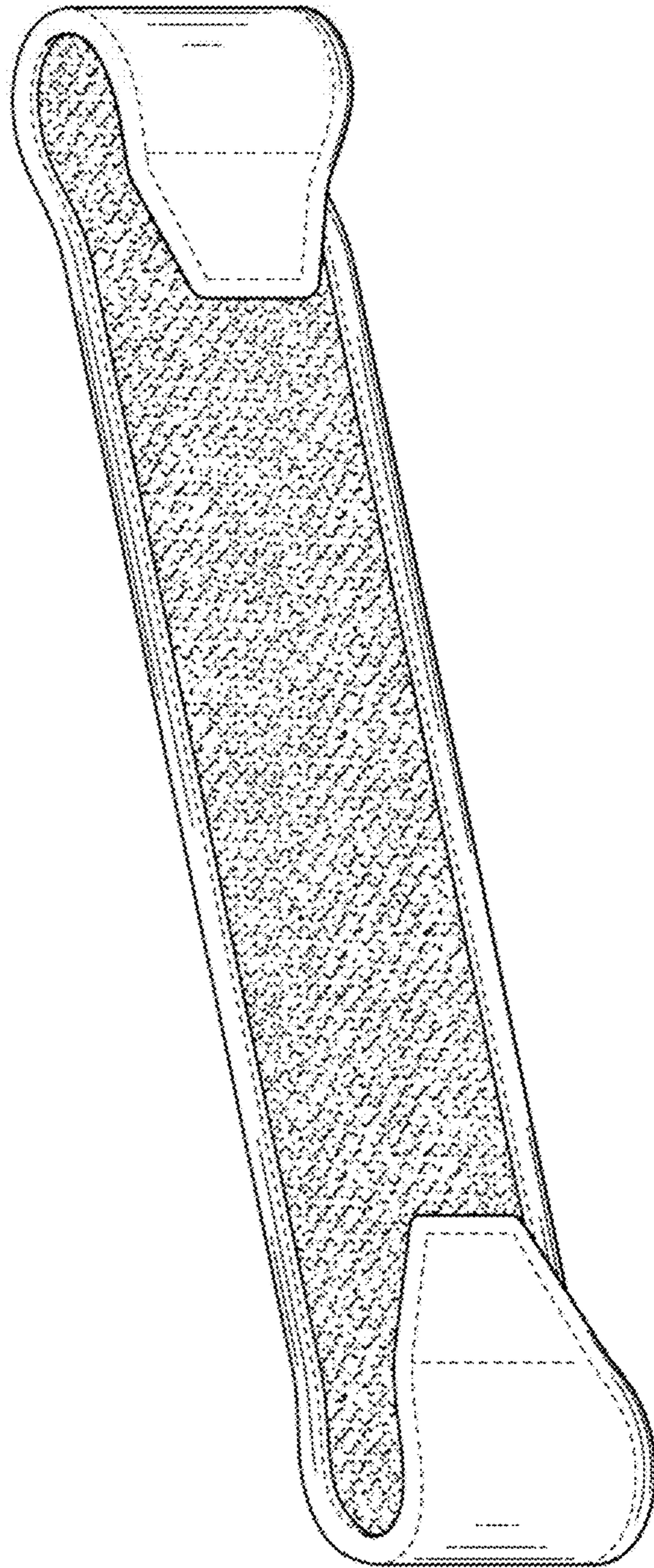


FIG. 8