

US00D946235S

(12) **United States Design Patent**
Baker et al.

(10) **Patent No.:** **US D946,235 S**
(45) **Date of Patent:** **** Mar. 15, 2022**

(54) **GUN SAFE**

(71) Applicants: **Michael Scott Baker**, Henderson, NV (US); **Jesus Carballido**, Henderson, NV (US)

(72) Inventors: **Michael Scott Baker**, Henderson, NV (US); **Jesus Carballido**, Henderson, NV (US)

(**) Term: **15 Years**

(21) Appl. No.: **29/677,389**

(22) Filed: **Jan. 18, 2019**

(51) **LOC (13) Cl.** **99-00**

(52) **U.S. Cl.**
USPC **D99/28**

(58) **Field of Classification Search**
USPC D99/28, 34, 35, 36, 43, 99; 109/1 R, 109/1 V, 2, 45; 902/9, 30; 235/100; 206/317, 527, 235; 312/400, 409
CPC E05B 65/0075; F42B 39/00; F42B 39/002; F42B 39/14; F42B 39/18; F42B 39/22; F42B 39/24; F42B 39/20; F42B 39/26; E05G 1/00; E05G 1/005; E05G 1/024; E05G 5/00; E05G 5/02; E05G 2700/00; E05G 2700/02; E05G 2700/04; G07F 17/10; G07F 9/06; G07F 9/003; G07F 9/002; G07F 9/004; G07F 9/008; G07D 11/0009; G07D 11/009; G07D 11/006
See application file for complete search history.

(56) **References Cited**

U.S. PATENT DOCUMENTS

D357,117 S *	4/1995	Huang	D3/276
D399,632 S *	10/1998	Davis	D99/28
6,405,861 B1 *	6/2002	Siler	F41C 33/06
				206/1.5
D474,596 S *	5/2003	Osiecki	D3/273

(Continued)

OTHER PUBLICATIONS

Gun Vault MicroVault Portable Handgun Case with Illuminated Digital Keypad, Black, <https://www.ebay.com/itm/GunVault-MicroVault-Portable-Handgun-Case-with-Illuminated-Digital-Keypad-Black-/233615722329>, Dec. 18, 2020. (Year: 2020).*

(Continued)

Primary Examiner — Elizabeth J Oswecki

(74) *Attorney, Agent, or Firm* — Quickpatents, LLC; Kevin Prince

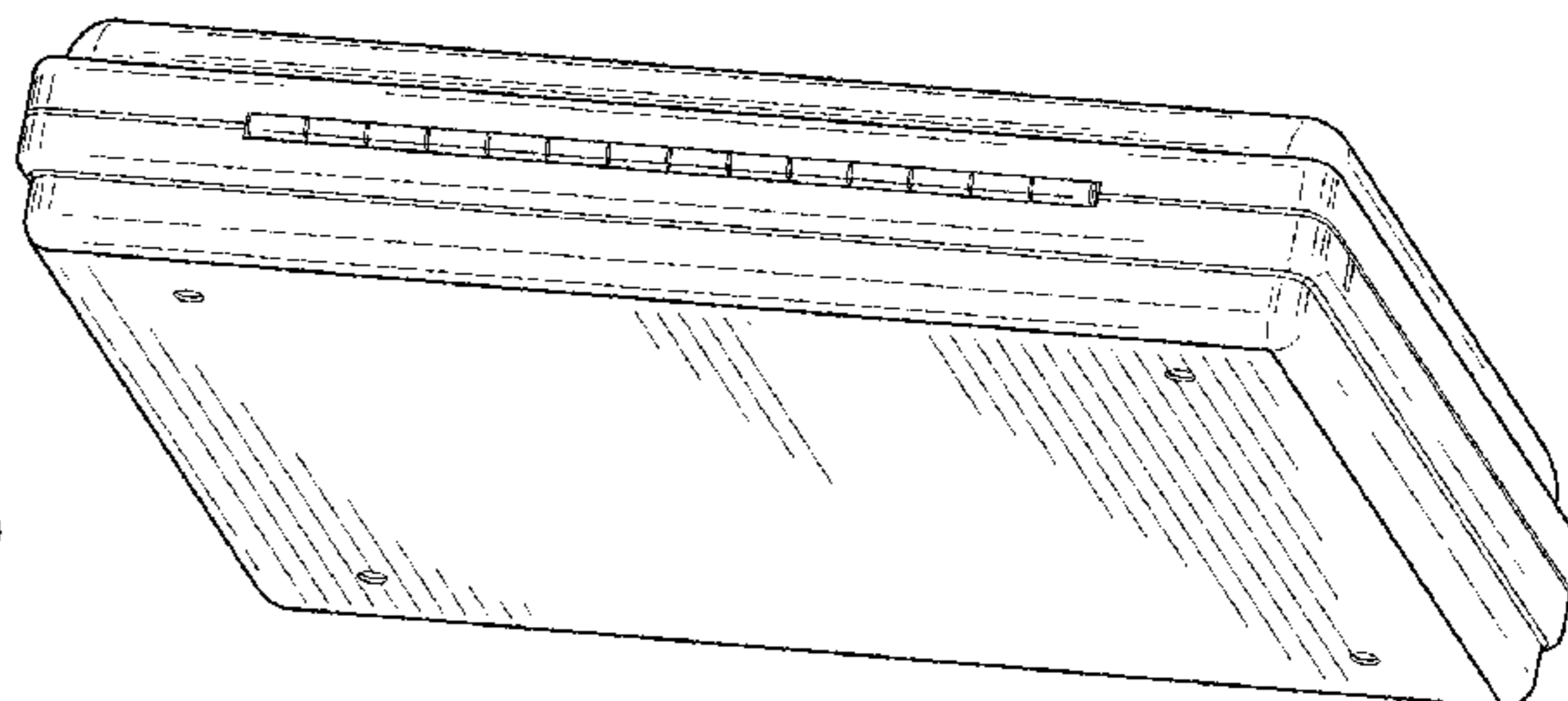
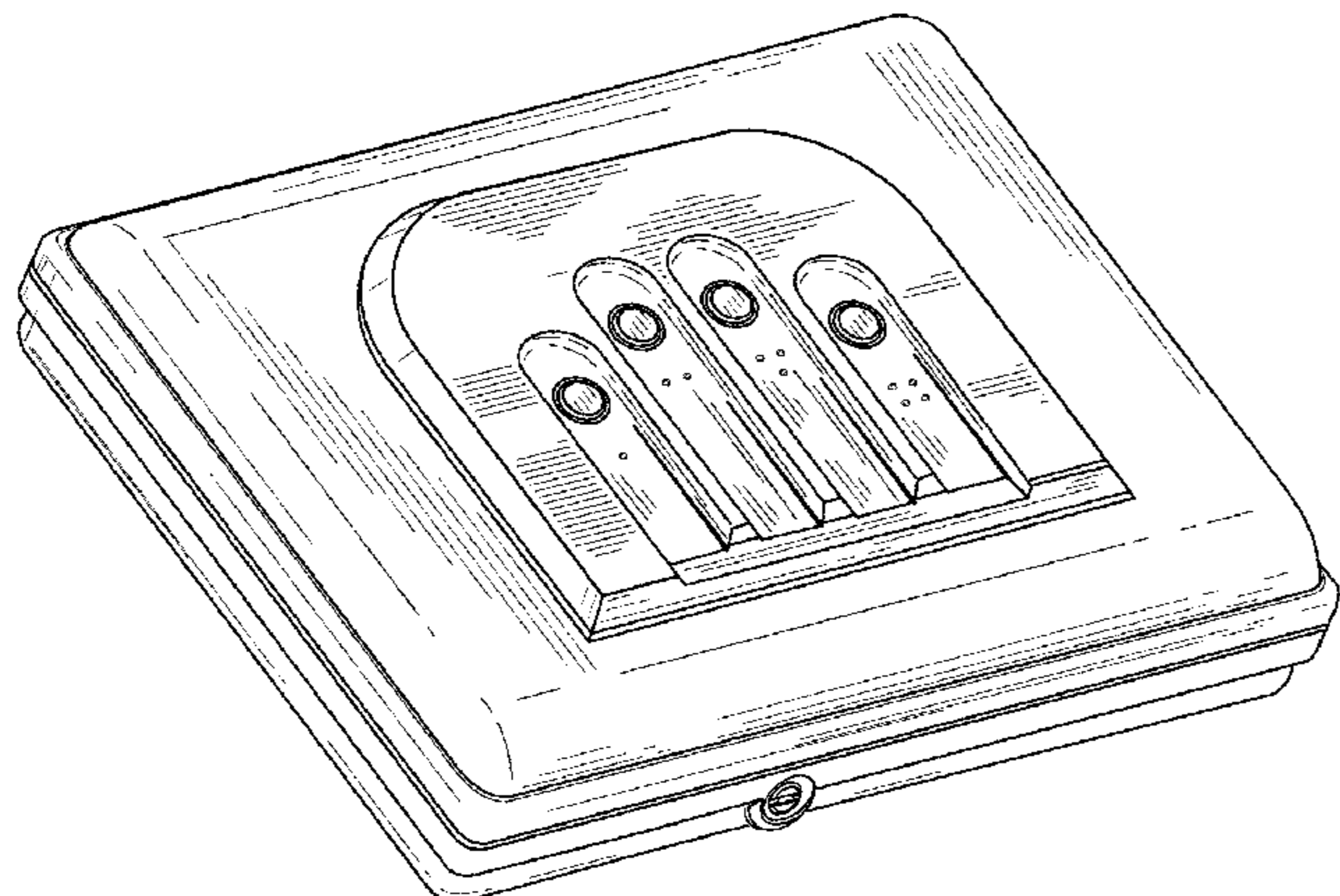
(57) **CLAIM**

The ornamental design for a gun safe, as shown and described.

DESCRIPTION

FIG. 1 is a top perspective view of a first embodiment of a gun safe, showing our new design in a closed configuration; FIG. 2 is a bottom perspective view of FIG. 1; FIG. 3 is a front elevational view of FIG. 1; FIG. 4 is a rear elevational view of FIG. 1; FIG. 5 is a right-side elevational view of FIG. 1, the left-side elevational view being a mirror image thereof; FIG. 6 is a top plan view of FIG. 1; FIG. 7 is a bottom plan view of FIG. 1; FIG. 8 is a top perspective view of a second embodiment of a gun safe, showing our new design in an open configuration; FIG. 9 is a front elevational view of FIG. 8; FIG. 10 is a rear elevational view of FIG. 8; FIG. 11 is a left-side elevational view of FIG. 8, the right-side elevational view being a mirror image thereof; FIG. 12 is a top plan view of FIG. 8; and, FIG. 13 is a bottom plan view of FIG. 8. The broken lines depict portions of the gun safe that form no part of the claimed design. The stippling shading in FIGS. 8 and 12 represent a contrast in materials.

1 Claim, 8 Drawing Sheets



(56)

References Cited

U.S. PATENT DOCUMENTS

6,752,092 B2 * 6/2004 Beattie E05G 1/005
109/73
6,843,081 B1 * 1/2005 Painter F41C 33/06
109/45
7,025,203 B2 * 4/2006 Schonenbach F41C 33/06
206/315.11
D541,045 S * 4/2007 Peart D3/291
D542,529 S * 5/2007 Peart D3/276
D558,977 S * 1/2008 Peart D3/294
D561,994 S * 2/2008 Peart D3/291
D569,073 S * 5/2008 Osiecki D99/28
D571,524 S * 6/2008 Kang D99/28
7,546,920 B1 * 6/2009 Horn F41C 33/06
206/317
D616,200 S * 5/2010 Riedel D3/281
D624,275 S * 9/2010 Min D99/28
D635,324 S * 3/2011 Plato D99/28
D651,785 S * 1/2012 Martin D99/28
D677,855 S * 3/2013 Eick D99/35
8,474,923 B2 * 7/2013 Pendleton A47B 81/005
312/305
D714,015 S * 9/2014 Hyde D99/28
D731,739 S * 6/2015 Hine D99/28
D732,264 S * 6/2015 Hine D99/28
D732,265 S * 6/2015 Osiecki D99/28
D748,889 S * 2/2016 Ng D99/28

D749,846 S * 2/2016 Koeniger D3/294
D772,522 S * 11/2016 Henderson D99/28
D800,989 S * 10/2017 Lucido D99/28
D803,508 S * 11/2017 Horn D99/28
D817,589 S * 5/2018 Culbreth D99/28
10,060,177 B2 * 8/2018 Smith E05G 1/04
D866,913 S * 11/2019 Xu D99/28
D893,123 S * 8/2020 Yu D99/28
D895,225 S * 9/2020 Smith D99/28
2003/0041787 A1 * 3/2003 Gerstenkorn A47B 81/005
109/73
2004/0045329 A1 * 3/2004 Farnham E05B 73/0005
70/63
2006/0108252 A1 * 5/2006 Lax A45C 11/00
206/470
2012/0298018 A1 * 11/2012 McCabe A45C 13/20
109/51

OTHER PUBLICATIONS

Gunvault MicroVault XL Illuminated Mechanical Keypad/Key Steel Black,https://www.cheaperthandirt.net/gunvault-microvault-xl-illuminated-mechanical-keypad%2Fkey-steel-black/2-GVMV1050-19-STD.html?msclkid=ef28dfe353d11e1b5389bfcf1b76e512&utm_source=bing&utm_medium=cpc&utm_campaign=LA%20-%20,2019. (Year: 2019).*

* cited by examiner

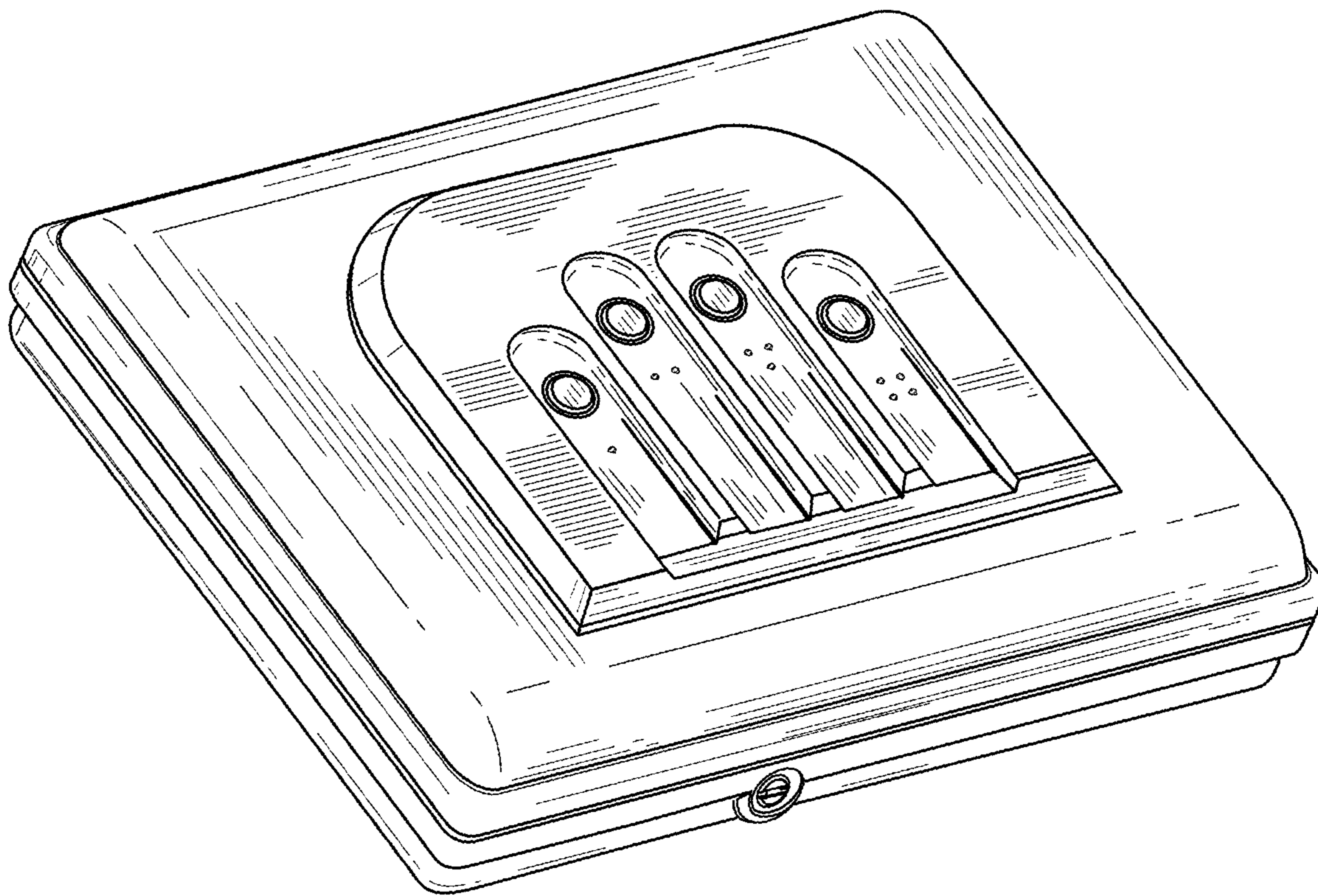


FIG. 1

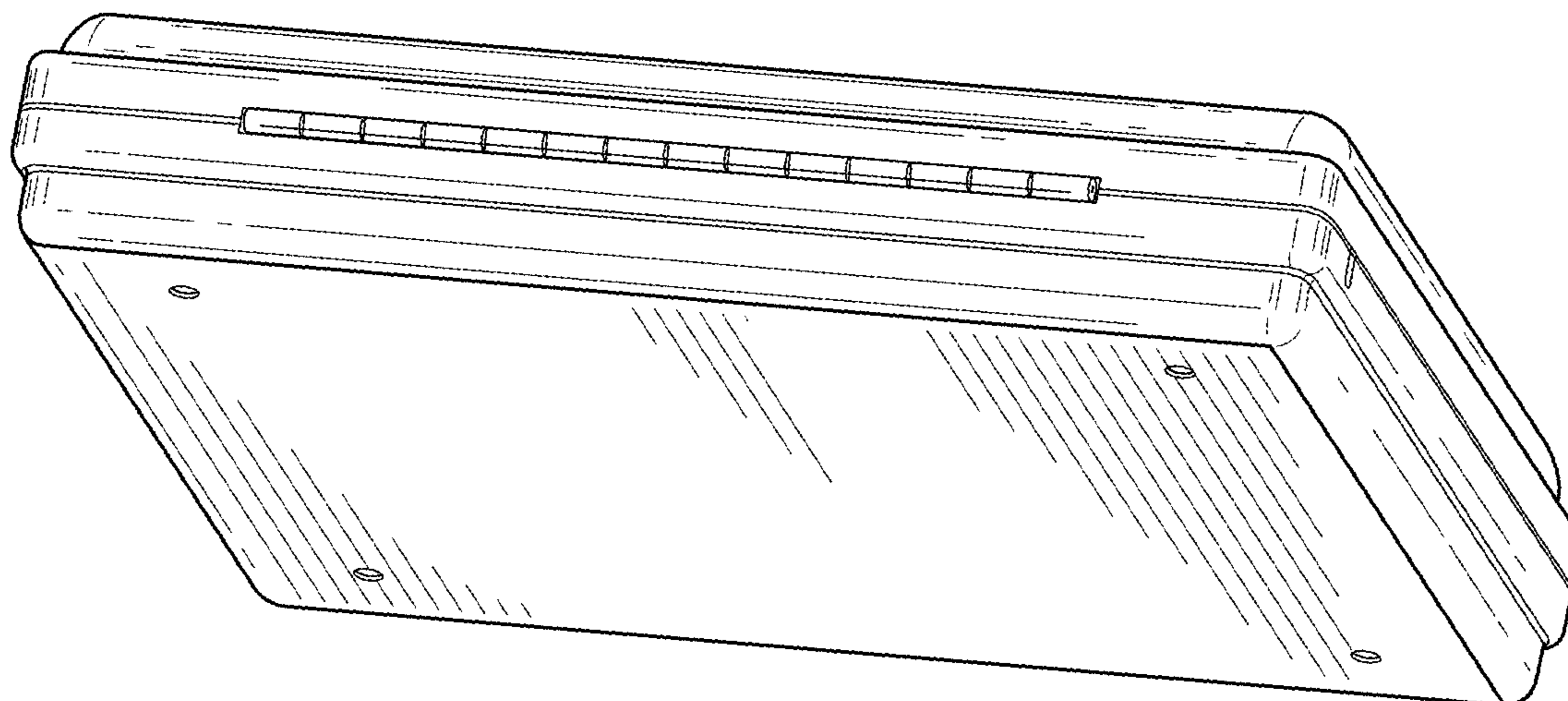


FIG. 2

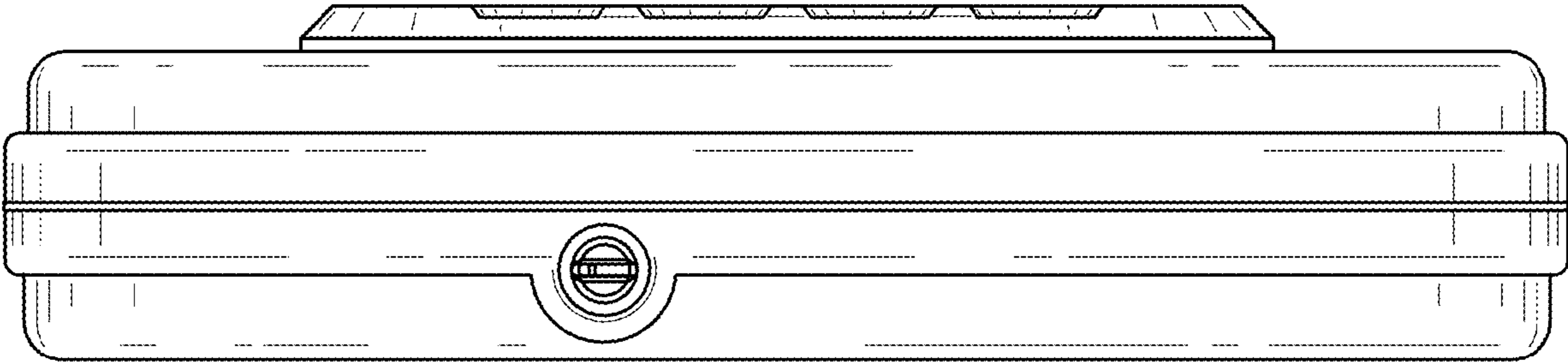


FIG. 3

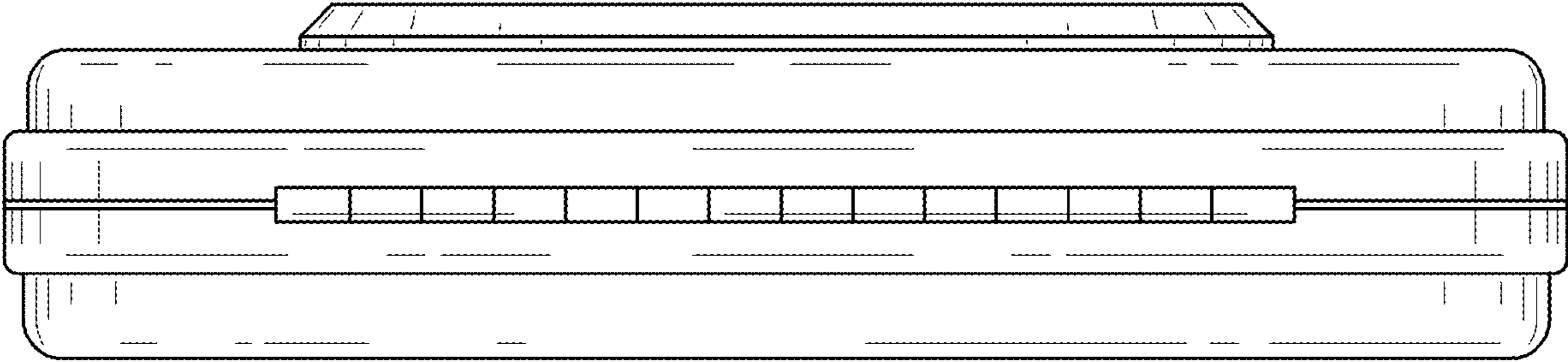


FIG. 4

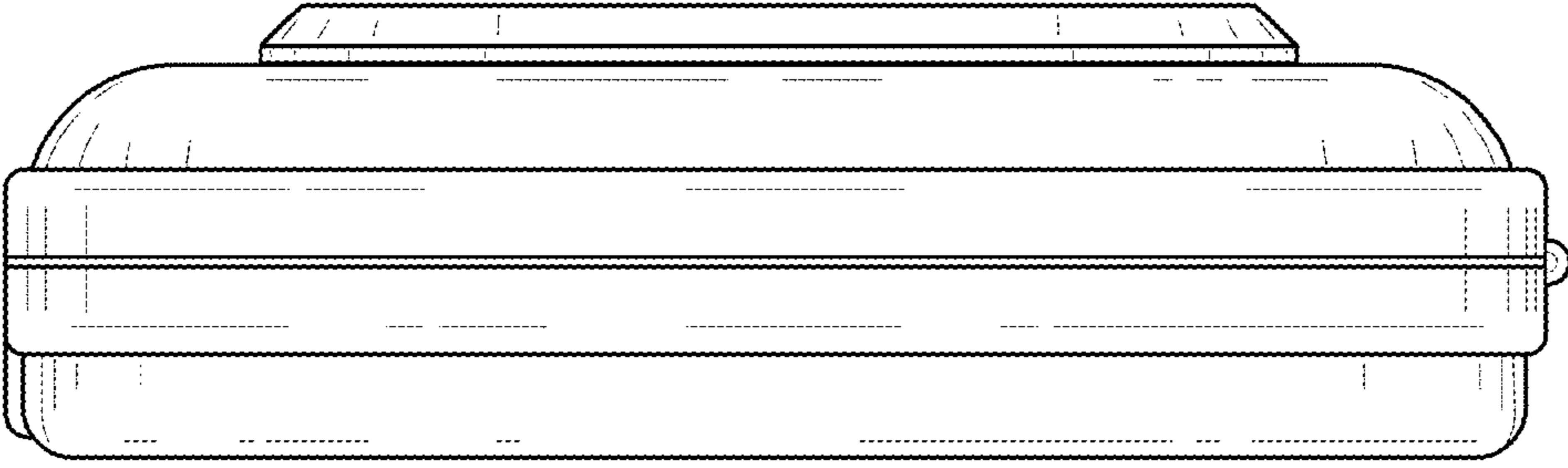


FIG. 5

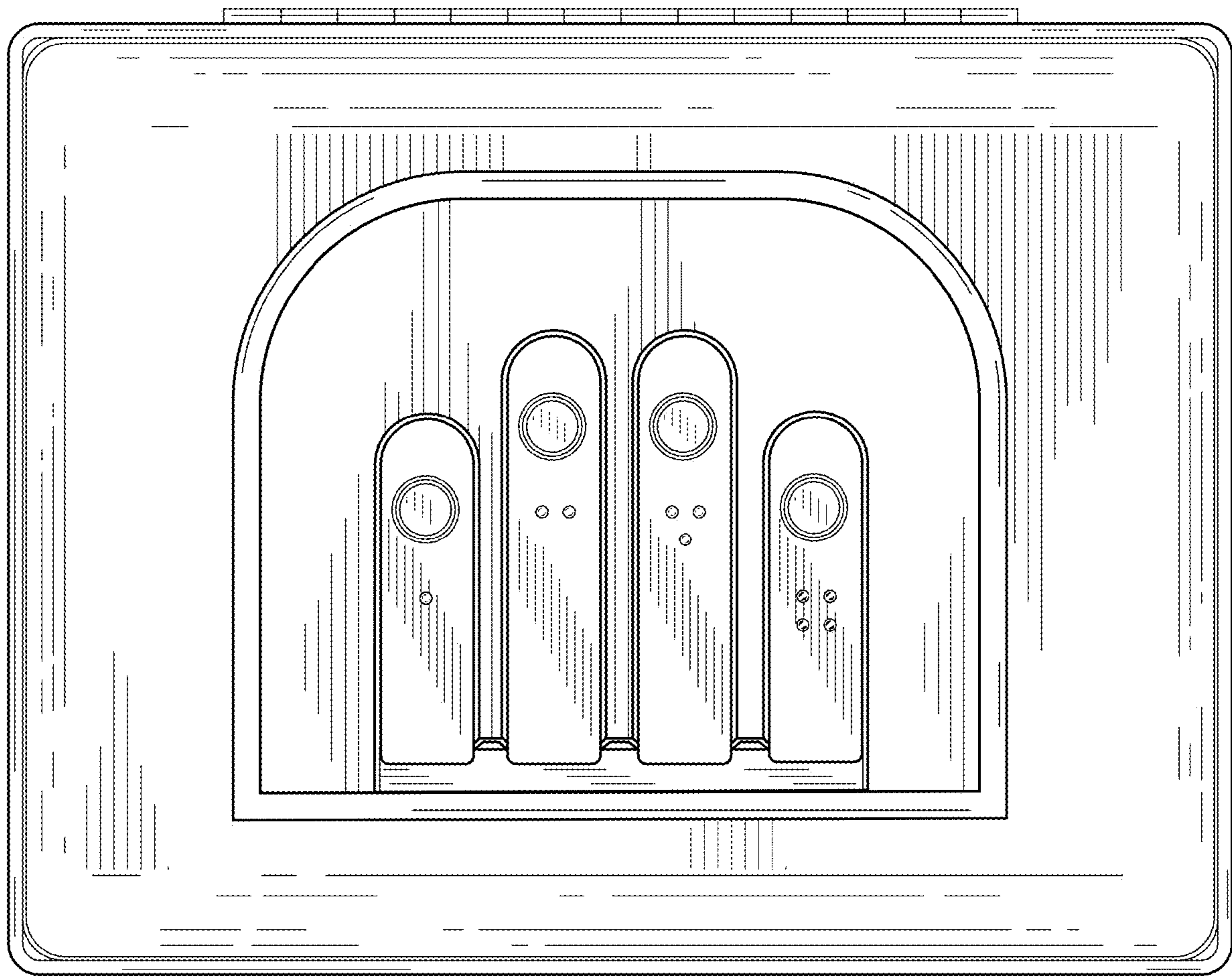


FIG. 6

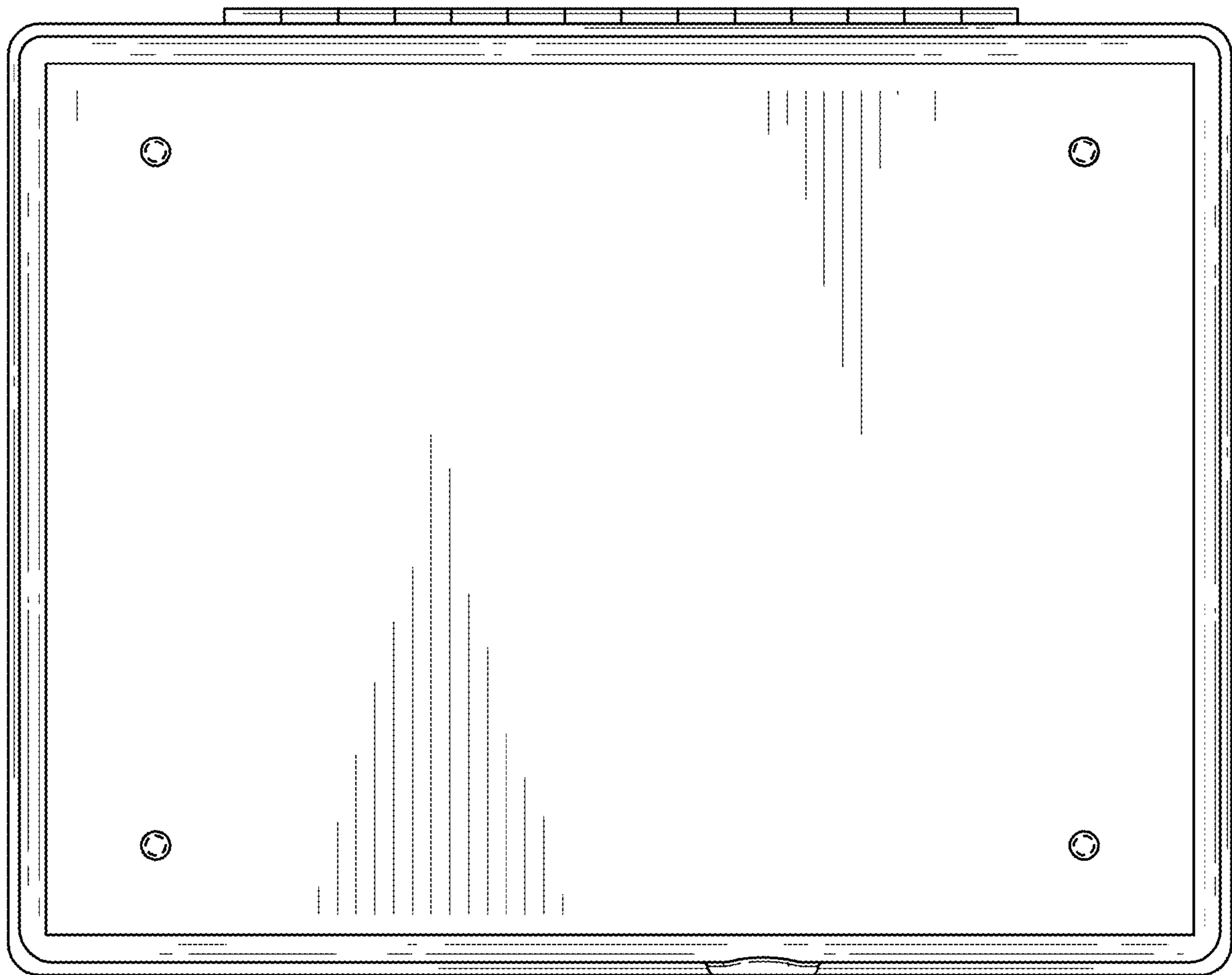


FIG. 7

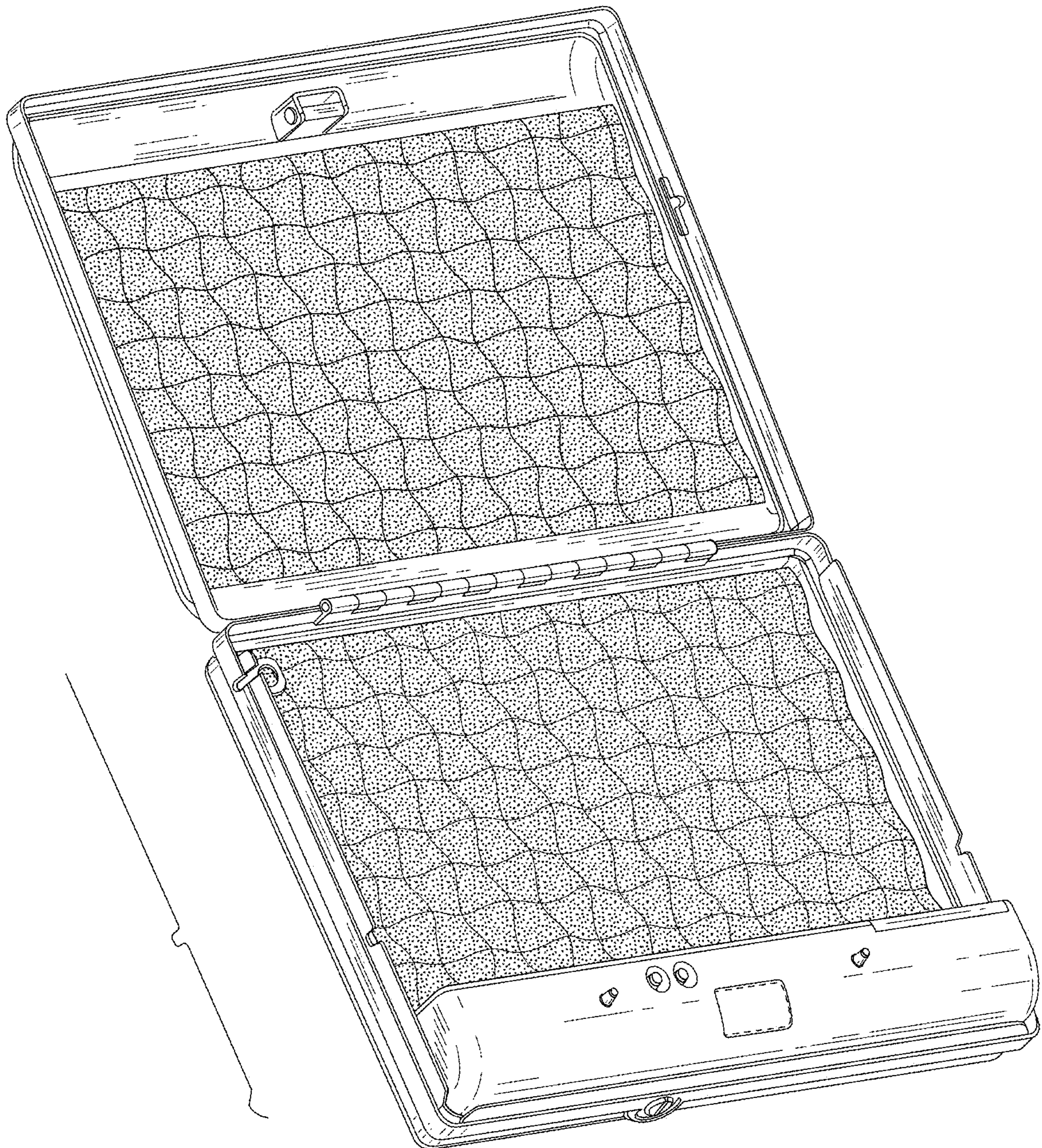


FIG. 8

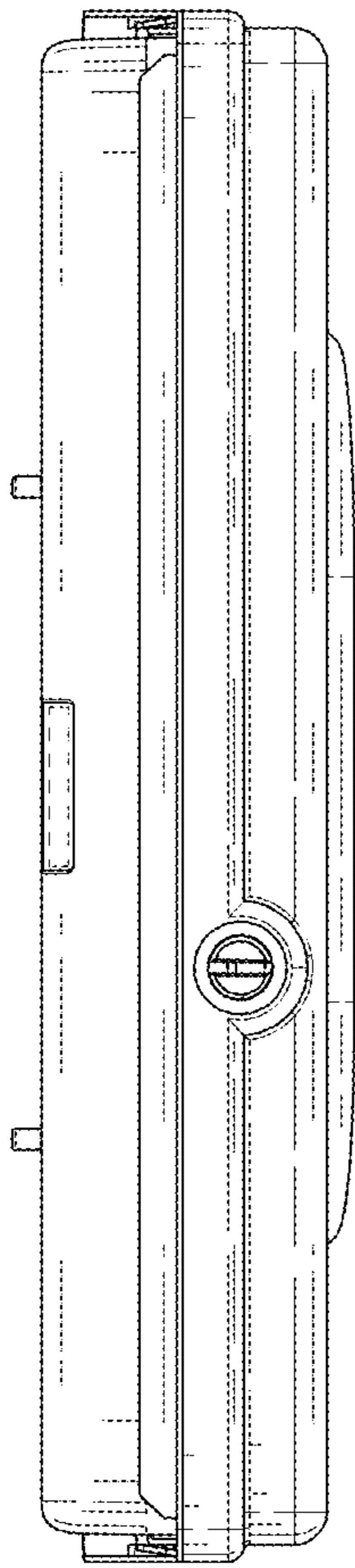


FIG. 9

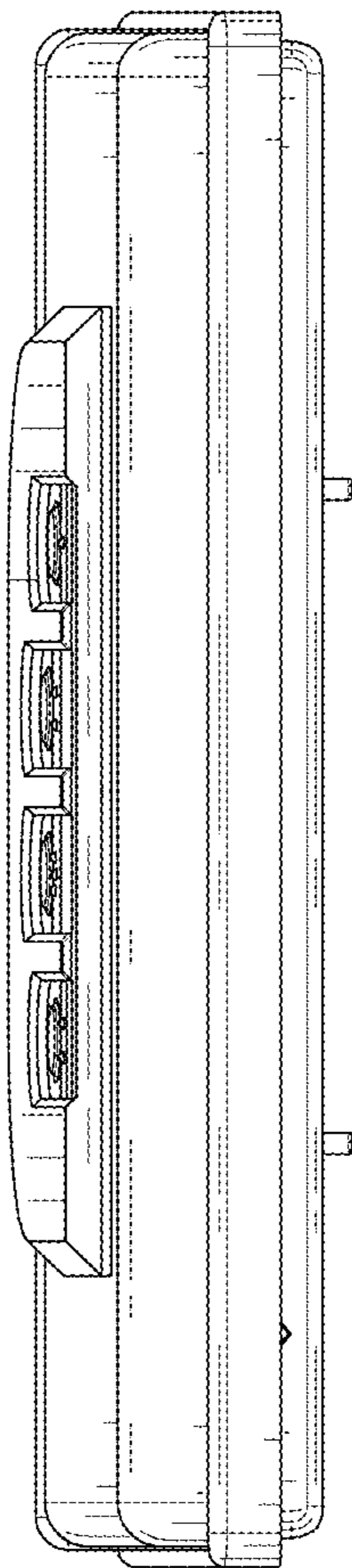


FIG. 10

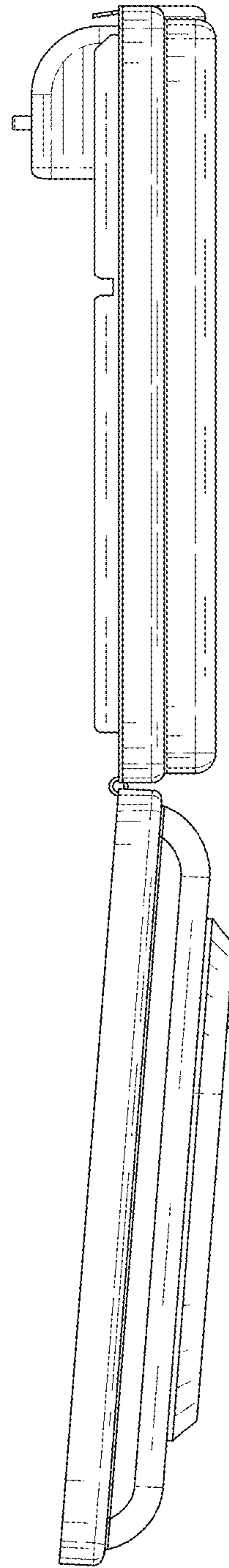


FIG. 11

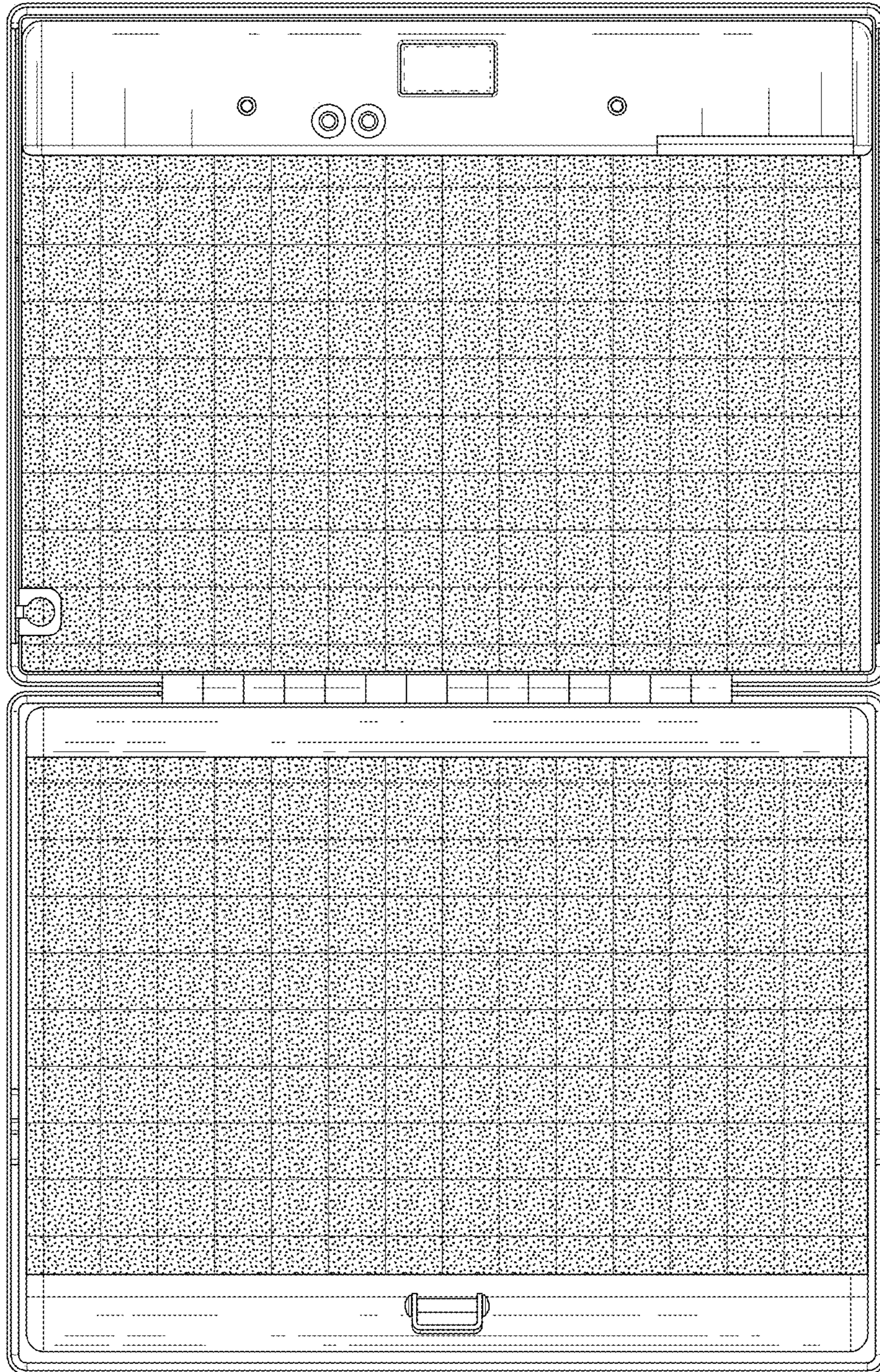


FIG. 12

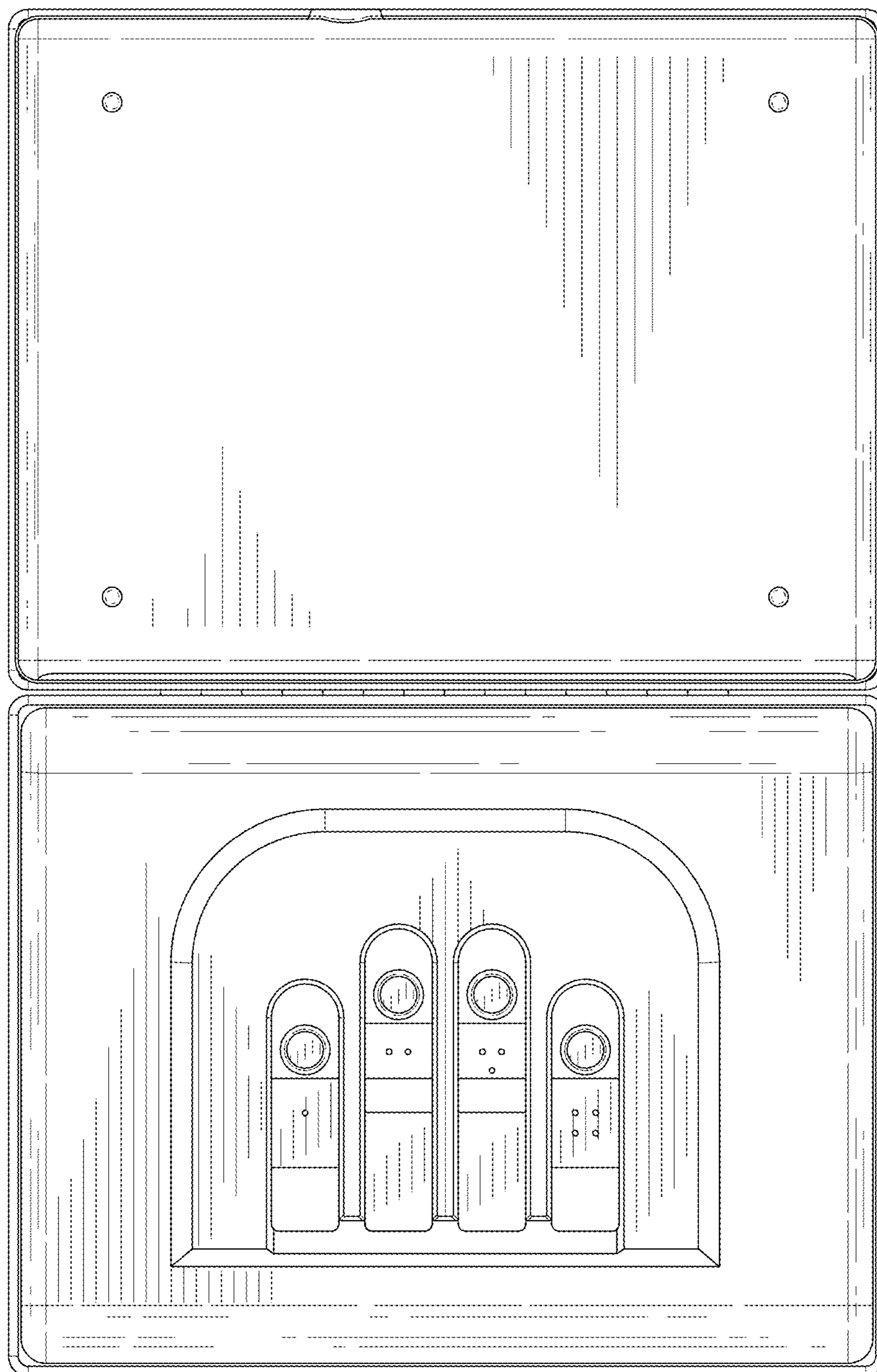


FIG. 13