

US00D946233S

(12) **United States Design Patent**
Zheng et al.

(10) **Patent No.:** **US D946,233 S**
(45) **Date of Patent:** **** Mar. 15, 2022**

- (54) **HYDRAULIC LIFTING JACK**
- (71) Applicant: **Hangzhou Yingjiang Machinery Manufacturing Co., Ltd.**, Hangzhou (CN)
- (72) Inventors: **Xinqiang Zheng**, Hangzhou (CN);
Zhengyang Liu, Hangzhou (CN)
- (73) Assignee: **HANGZHOU YINGJIANG MACHINERY MANUFACTURING CO., LTD.**, Hangzhou (CN)
- (**) Term: **15 Years**
- (21) Appl. No.: **29/731,022**
- (22) Filed: **Apr. 10, 2020**
- (51) **LOC (13) Cl.** **12-05**
- (52) **U.S. Cl.**
USPC **D34/31**
- (58) **Field of Classification Search**
USPC D34/28-31
CPC B66F 1/00; B66F 3/24; B66F 3/44; B66F 5/00; B66F 5/02; B66F 5/04
See application file for complete search history.

(56) **References Cited**

U.S. PATENT DOCUMENTS

7,055,801	B2 *	6/2006	Tatsumi	B66F 5/04 254/8 B
D531,377	S *	10/2006	Liu	D34/31
D730,612	S *	5/2015	James	D34/31
9,278,837	B2 *	3/2016	Aristi Artolazabal	B66F 3/30
D823,569	S *	7/2018	Fox	D34/31
D828,972	S *	9/2018	Wu	D34/31
10,087,058	B1 *	10/2018	Carlson	E06C 7/12
D906,622	S *	12/2020	Zhengyang	D34/31
D907,879	S *	1/2021	Youngblutt	D34/31
11,008,200	B2 *	5/2021	Fox	B66F 5/04
2008/0083913	A1 *	4/2008	Fang	B66F 5/04 254/8 B

2008/0111117	A1 *	5/2008	Wu	B66F 5/04 254/8 R
2009/0189133	A1 *	7/2009	Sharp	B66D 3/04 254/384
2012/0032124	A1 *	2/2012	Drake	B66F 7/28 254/105

(Continued)

OTHER PUBLICATIONS

Snap On Jack, announced 2021 [online], [site visited Dec. 14, 2021]. Available from internet, URL: <https://shop.snapon.com/product/Lightweight-Aluminum-Service-Jacks/1.75-Ton-Aluminum-High-Performance-Floor-Jack/FJ175> (Year: 2021).*

(Continued)

Primary Examiner — Cynthia Ramirez

Assistant Examiner — Tamara L Hahn

(74) *Attorney, Agent, or Firm* — Muncy, Geissler, Olds & Lowe, PC

(57) **CLAIM**

The ornamental design for a hydraulic lifting jack, as shown and described.

DESCRIPTION

FIG. 1 is a front view of a hydraulic lifting jack showing my new design;

FIG. 2 is a rear view thereof;

FIG. 3 is a top plan view thereof;

FIG. 4 is a bottom plan view thereof;

FIG. 5 is a left side view thereof;

FIG. 6 is a right side view thereof;

FIG. 7 is a top front right perspective view thereof;

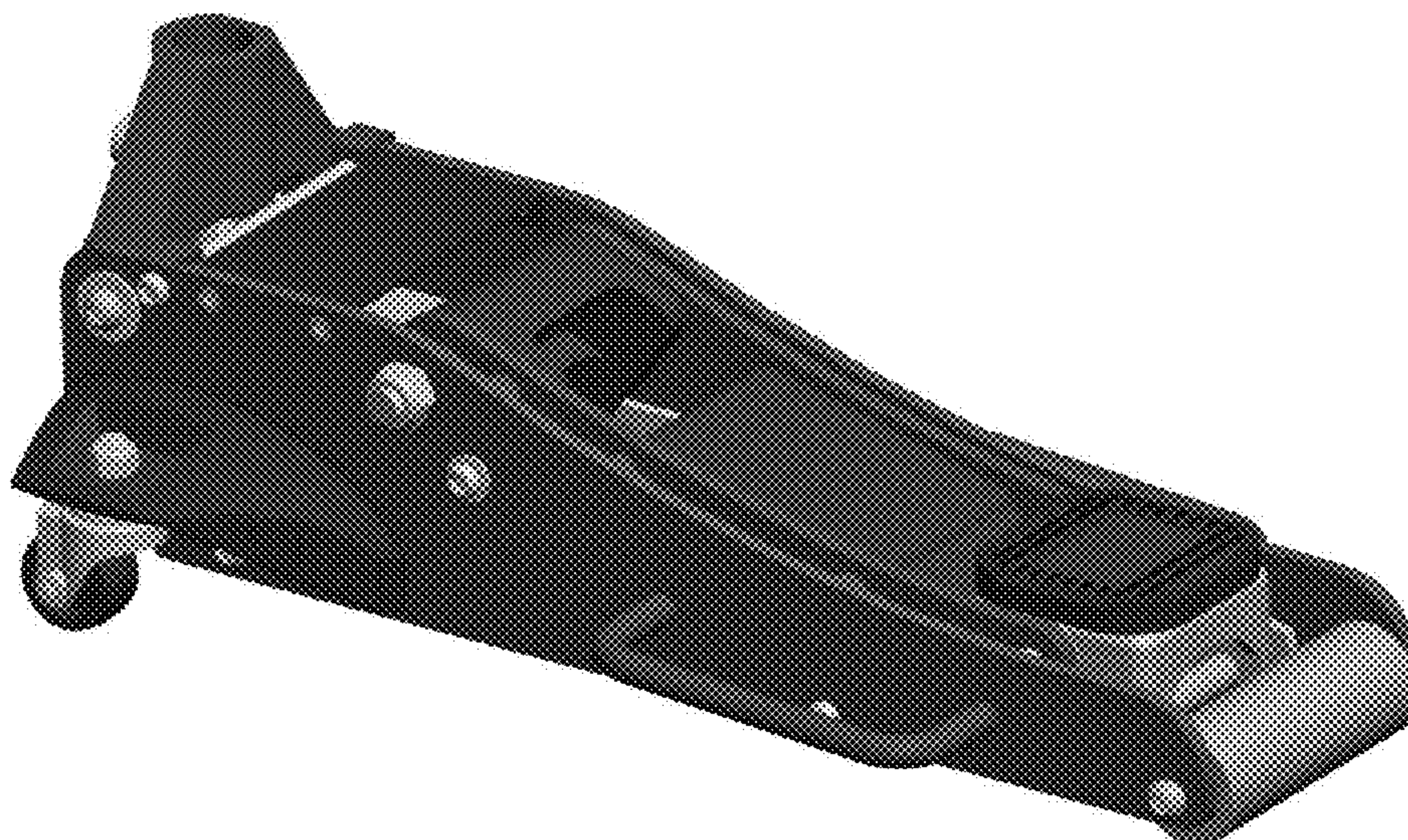
FIG. 8 is a top front left perspective view thereof;

FIG. 9 is a top front right perspective view showing the hydraulic lifting jack in an alternate position; and,

FIG. 10 is a top front left perspective view thereof.

The grey values applied to the drawings are to show contrast in appearance.

1 Claim, 4 Drawing Sheets



(56)

References Cited

U.S. PATENT DOCUMENTS

2017/0158473 A1* 6/2017 Wu B66F 3/42

OTHER PUBLICATIONS

Redline Jack, announced 2021 [online], [site visited Dec. 14, 2021].
Available from internet, URL: https://www.redlinestands.com/catalog/shop-equipment-c-327/automotive-c-327_328/racing-floor-jacks-c-327_328_353/redline-15-ton-double-piston-racing-aluminum-floor-jack-p-2944 (Year: 2021).*

* cited by examiner

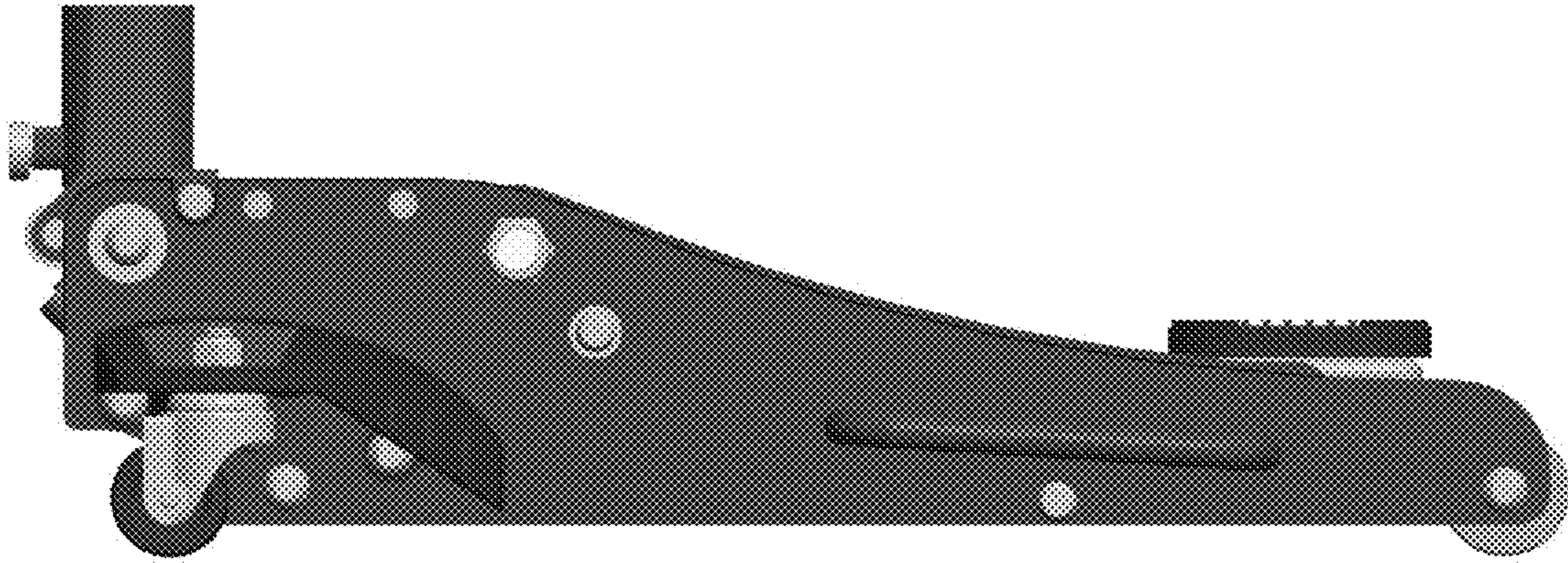


FIG.1



FIG.2

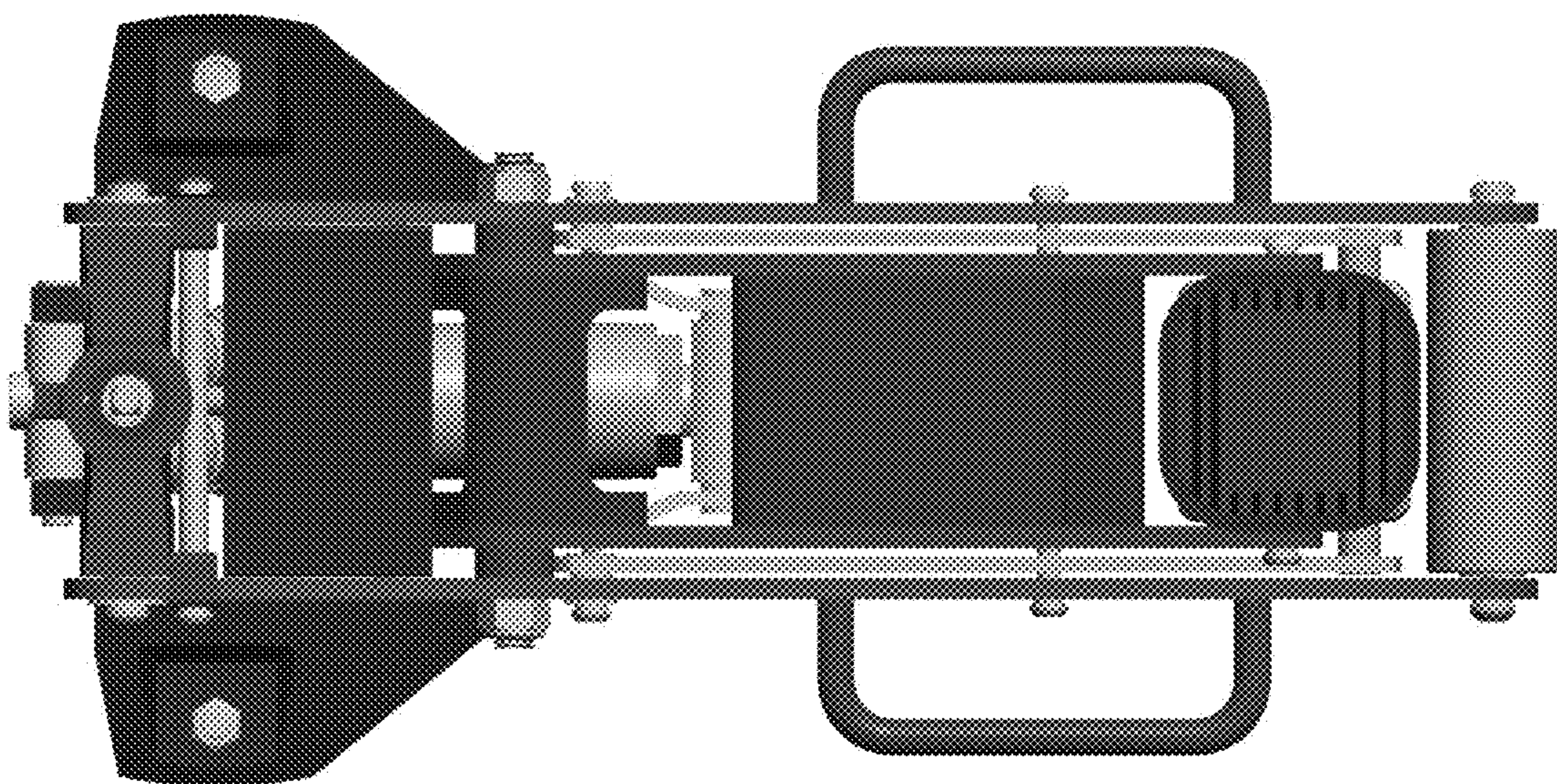


FIG.3

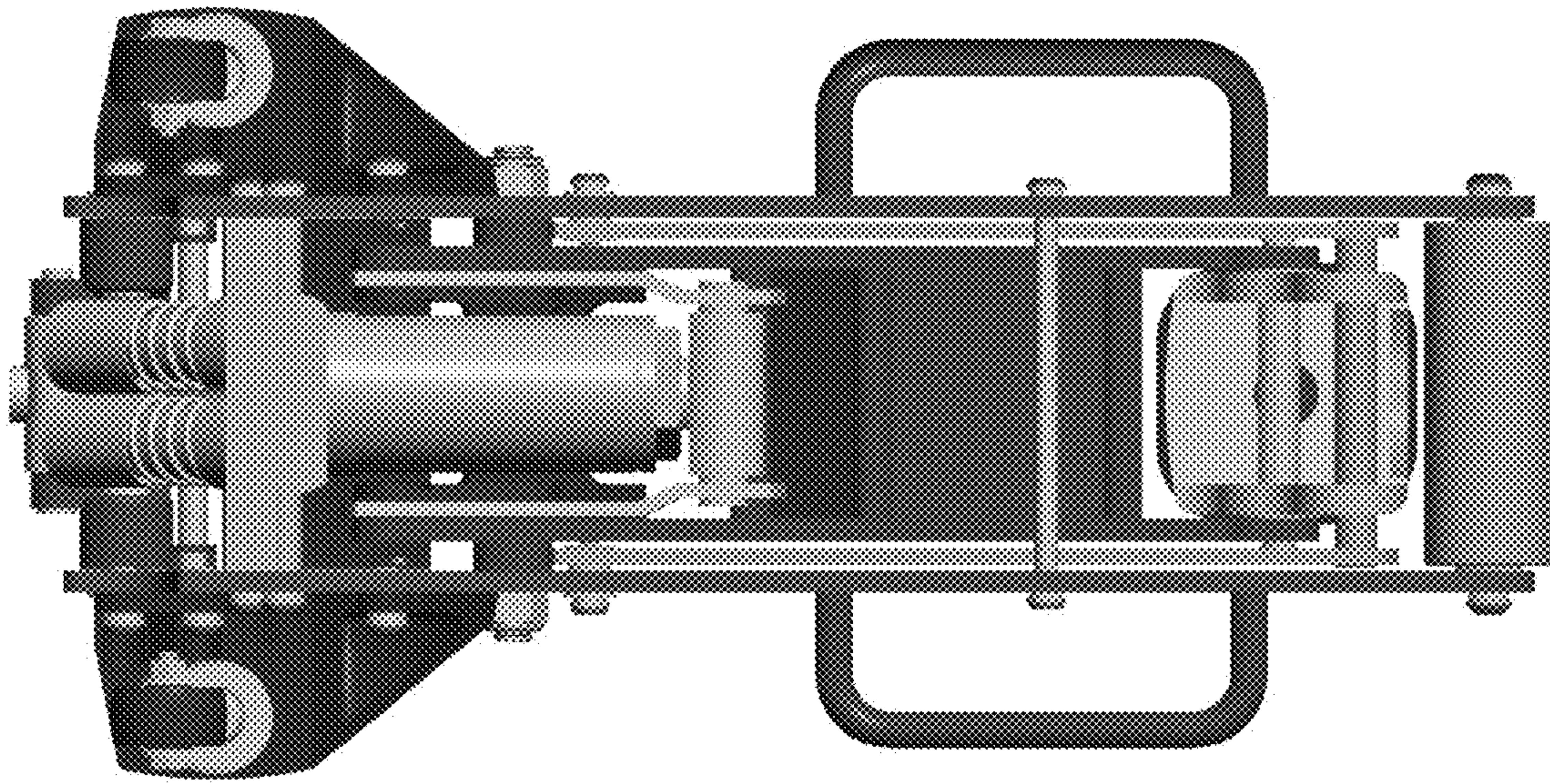


FIG. 4

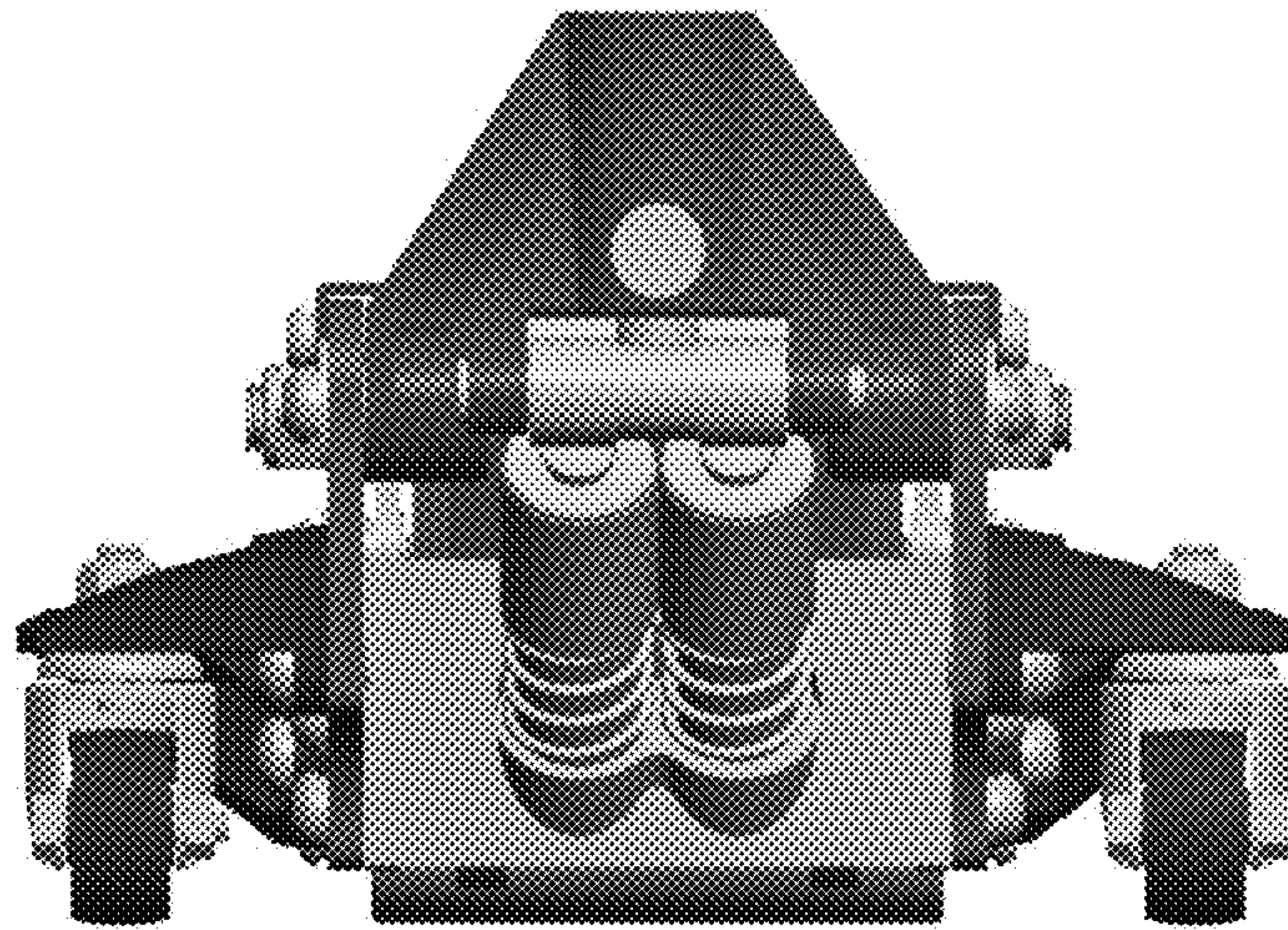


FIG. 5

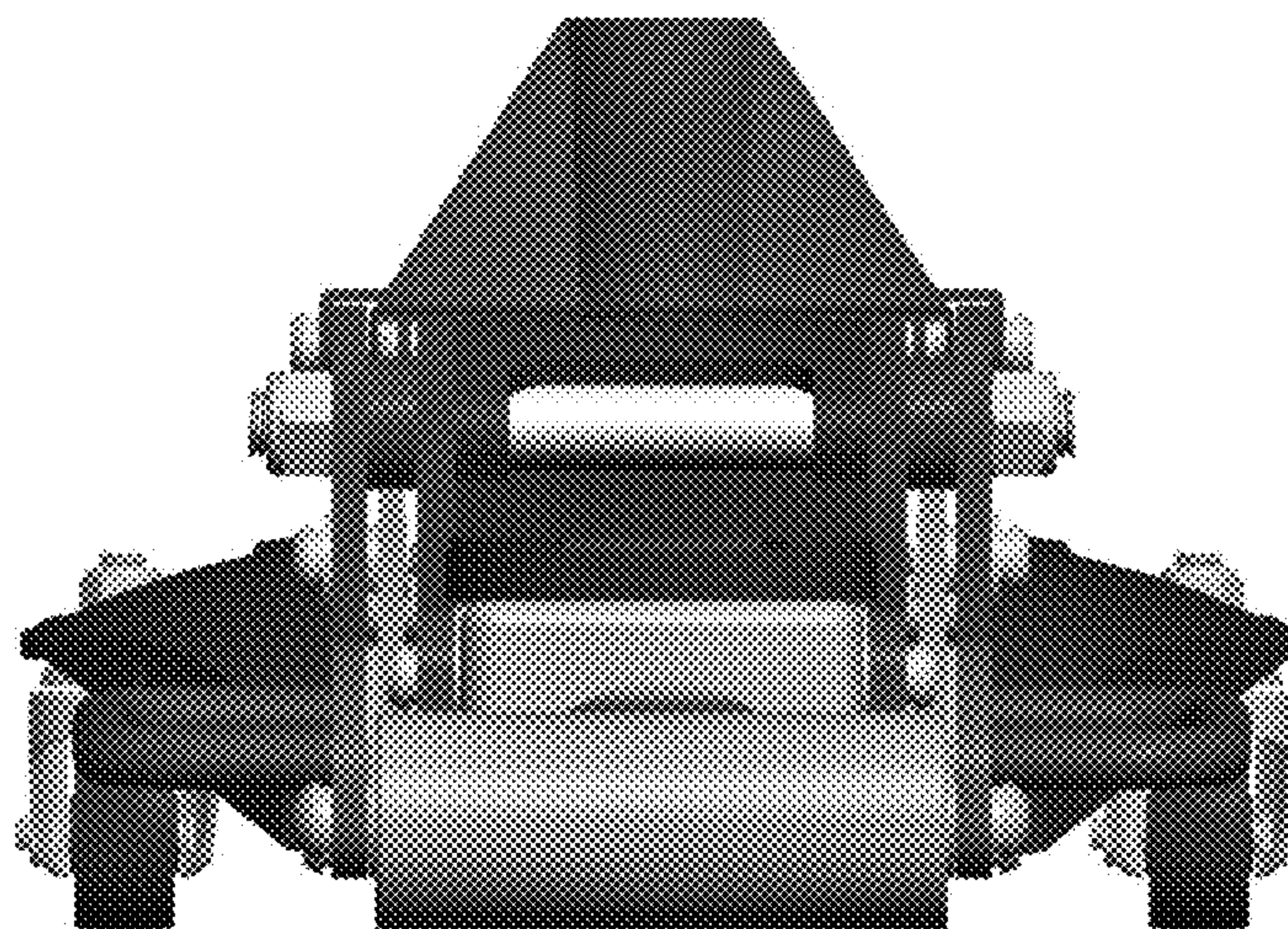


FIG. 6



FIG. 7

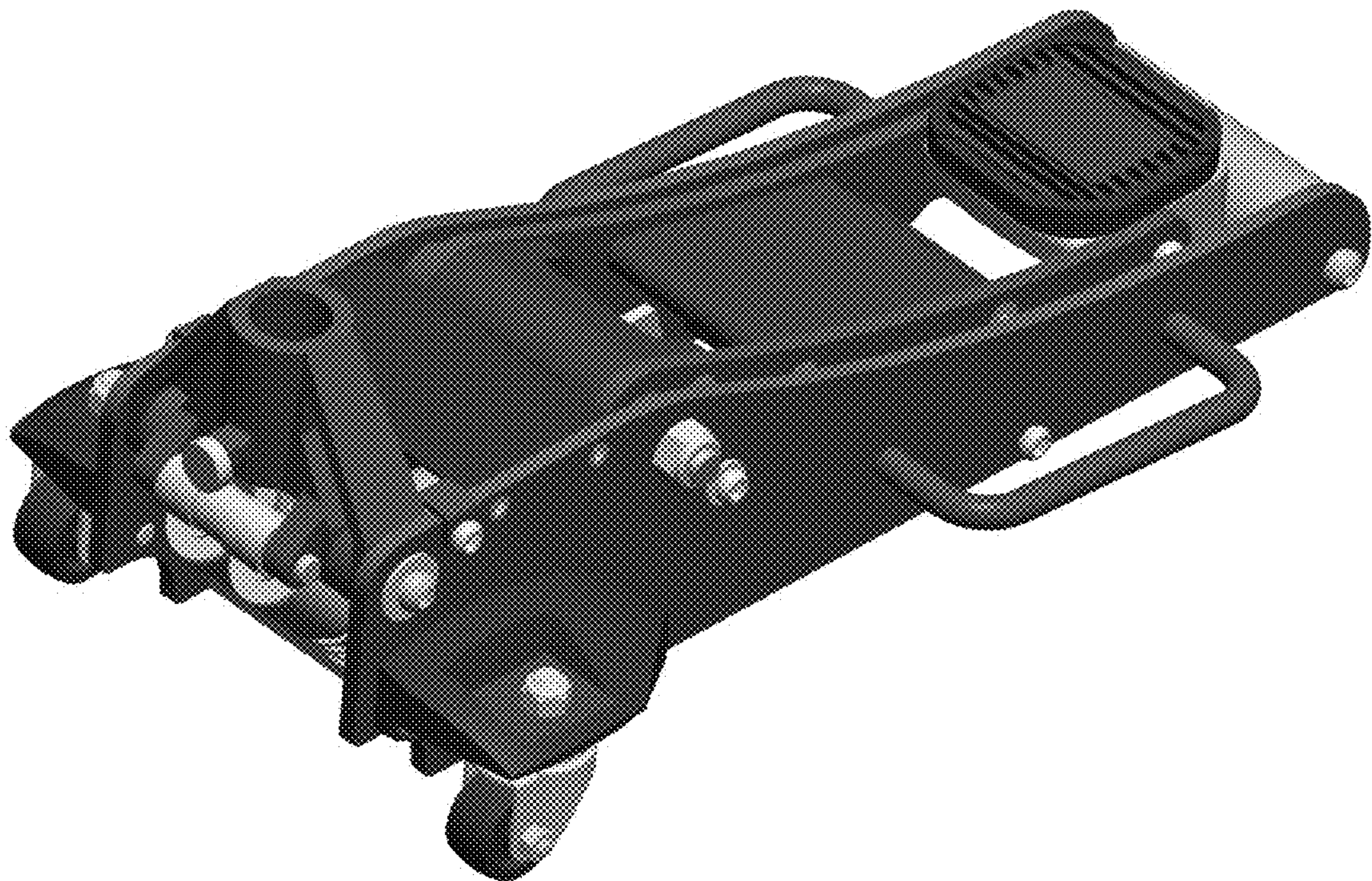


FIG. 8

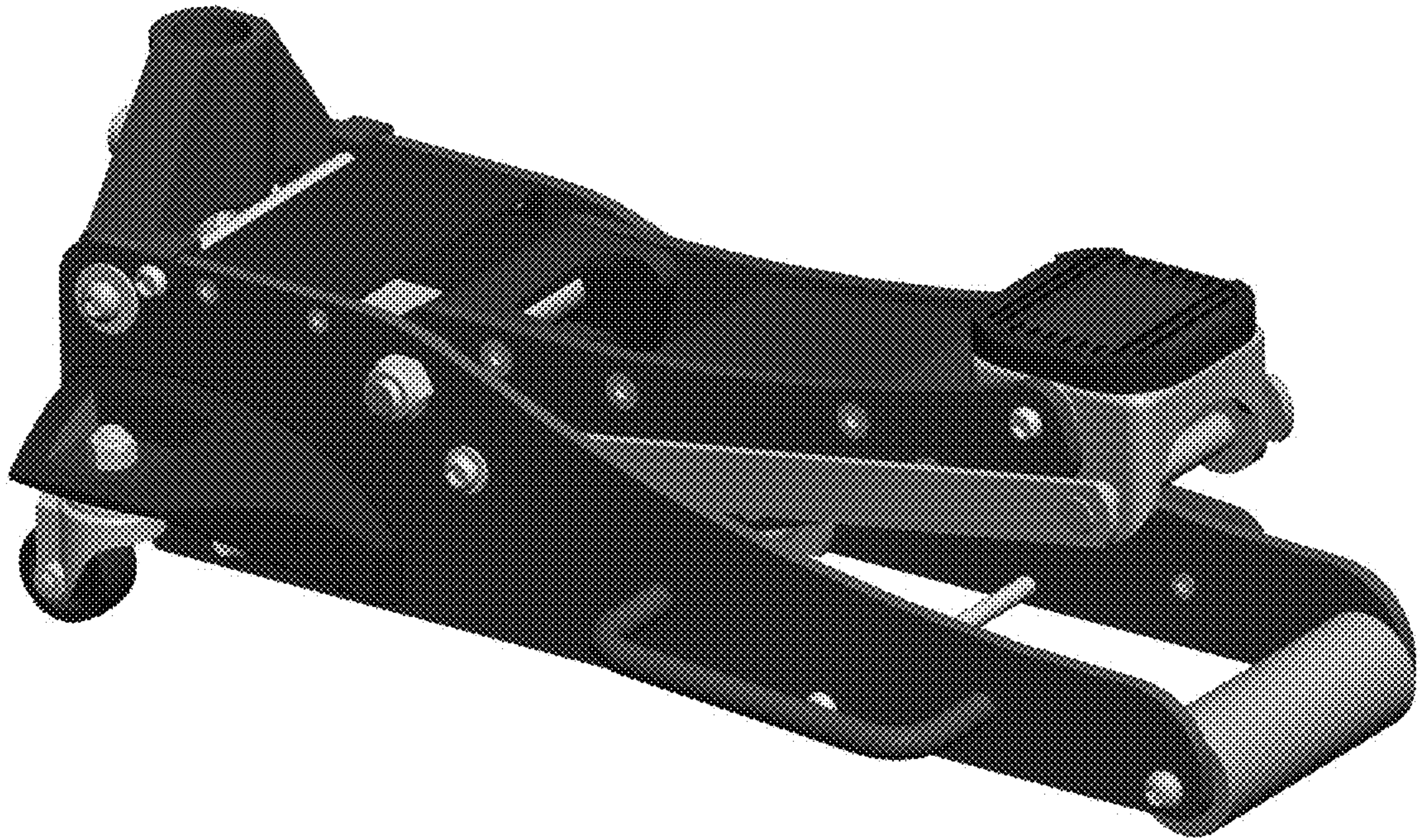


FIG.9

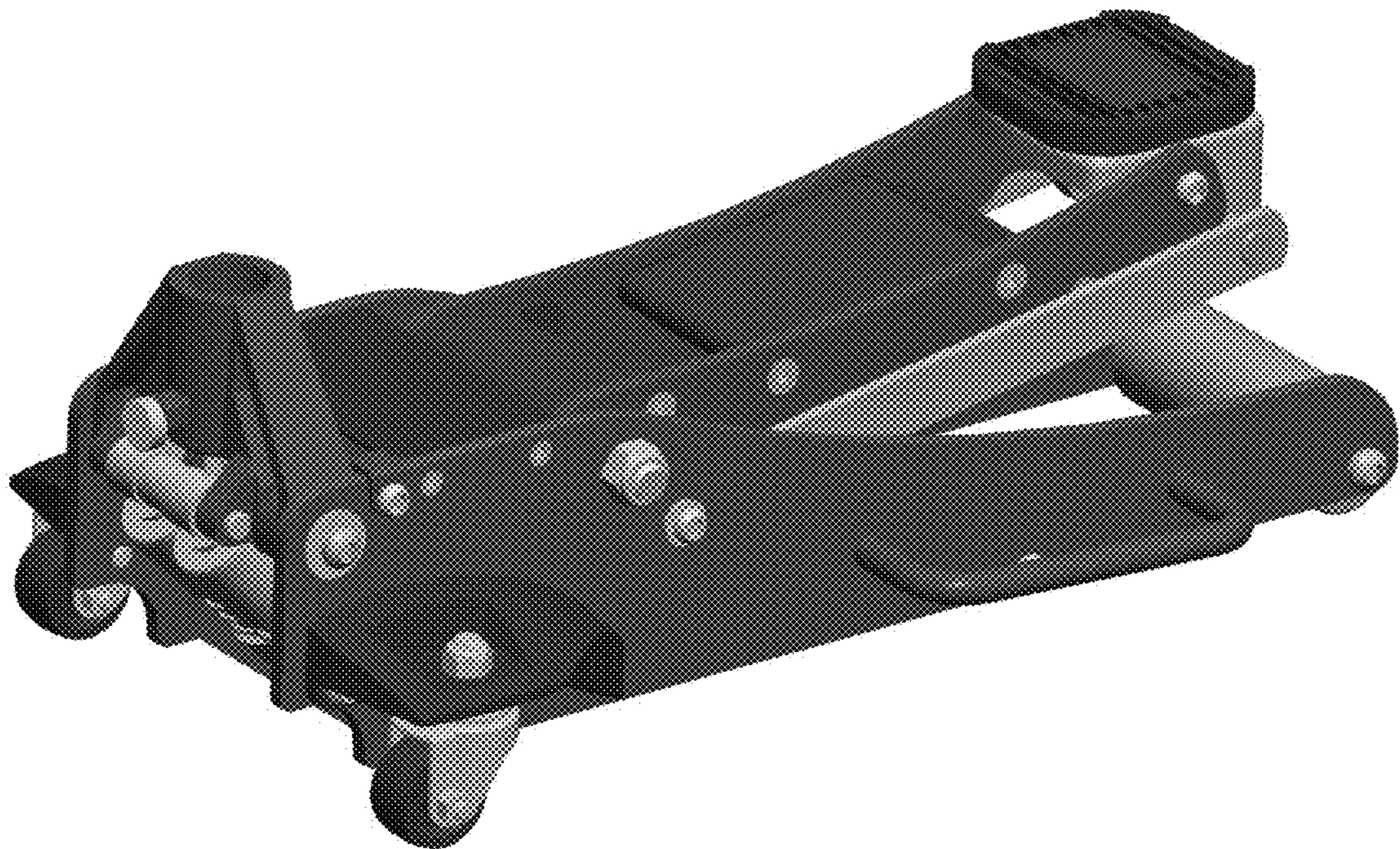


FIG.10