



US00D946232S

(12) **United States Design Patent**  
**Wu et al.**

(10) **Patent No.: US D946,232 S**  
(45) **Date of Patent: \*\* Mar. 15, 2022**

- (54) **HYDRAULIC LIFTING JACK**
- (71) Applicant: **Hangzhou Yingjiang Machinery Manufacturing Co., Ltd.**, Hangzhou (CN)
- (72) Inventors: **Shenghua Wu**, Hangzhou (CN); **Zhengyang Liu**, Hangzhou (CN)
- (73) Assignee: **HANGZHOU YINGJIANG MACHINERY MANUFACTURING CO., LTD.**, Hangzhou (CN)
- (\*\*) Term: **15 Years**
- (21) Appl. No.: **29/731,018**
- (22) Filed: **Apr. 10, 2020**
- (51) **LOC (13) Cl.** ..... **12-05**
- (52) **U.S. Cl.**  
USPC ..... **D34/31**
- (58) **Field of Classification Search**  
USPC ..... D34/28-31  
CPC ..... B66F 1/00; B66F 3/24; B66F 3/44; B66F 5/00; B66F 5/02; B66F 5/04  
See application file for complete search history.

- 2008/0083913 A1\* 4/2008 Fang ..... B66F 5/04 254/8 B
- 2008/0111117 A1\* 5/2008 Wu ..... B66F 5/04 254/8 R
- 2017/0158473 A1\* 6/2017 Wu ..... B66F 3/42

**OTHER PUBLICATIONS**

Pittsburgh Jack, announced 2021 [online], [site visited Dec. 14, 2021]. Available from internet, URL: <https://optfly.com/products/3-ton-low-profile-floor-jack-and-jack-stands-set-steel-hydraulic-car-jack-lift> (Year: 2021).\*

(Continued)

*Primary Examiner* — Cynthia Ramirez  
*Assistant Examiner* — Tamara L Hahn  
(74) *Attorney, Agent, or Firm* — Muncy, Geissler, Olds & Lowe, PC

(57) **CLAIM**

The ornamental design for a hydraulic lifting jack, as shown and described.

**DESCRIPTION**

FIG. 1 is a front view of a hydraulic lifting jack showing my new design;  
FIG. 2 is a rear view thereof;  
FIG. 3 is a top plan view thereof;  
FIG. 4 is a bottom plan view thereof;  
FIG. 5 is a left side view thereof;  
FIG. 6 is a right side view thereof;  
FIG. 7 is a top left rear perspective view thereof;  
FIG. 8 is a top right perspective view thereof;  
FIG. 9 is a top left rear perspective view showing the hydraulic lifting jack in an alternate position;  
FIG. 10 is a top left front perspective view thereof; and,  
FIG. 11 is a top right perspective view thereof.  
The grey values applied to the drawings are to show contrast in appearance.

**1 Claim, 5 Drawing Sheets**

(56) **References Cited**

**U.S. PATENT DOCUMENTS**

- 7,055,801 B2\* 6/2006 Tatsumi ..... B66F 5/04 254/8 B
- D730,612 S \* 5/2015 James ..... D34/31
- 9,278,837 B2\* 3/2016 Aristi Artolazabal .... B66F 3/30
- D823,569 S \* 7/2018 Fox ..... D34/31
- D828,972 S \* 9/2018 Wu ..... D34/31
- D855,922 S \* 8/2019 Fox ..... D34/31
- D906,622 S \* 12/2020 Zhengyang ..... D34/31
- D907,879 S \* 1/2021 Youngblutt ..... D34/31
- 11,008,200 B2\* 5/2021 Fox ..... B66F 5/04
- 2002/0153514 A1\* 10/2002 Wixey ..... B66F 5/04 254/8 B



(56)

**References Cited**

OTHER PUBLICATIONS

Black Jack, announced Apr. 2020 [online], [site visited Dec. 14, 2021]. Available from internet, URL: <https://www.walmart.com/ip/Black-Jack-3-Ton-Garage-Jack-Dual-Piston-Black-T830023W/497184256?w113=3573&selectedSellerId=0> (Year: 2020).\*

Craftsman Jack, announced Dec. 2020 [online], [site visited Dec. 14, 2021]. Available from internet, URL: <https://www.lowes.com/pd/CRAFTSMAN-Craftsman-3-Ton-Garage-Jack/5001645957> (Year: 2020).\*

Blackline Jack, announced 2009 [online], [site visited Dec. 14, 2021]. Available from internet, URL: [https://www.northerntool.com/shop/tools/product\\_200345429\\_200345429](https://www.northerntool.com/shop/tools/product_200345429_200345429) (Year: 2009).\*

\* cited by examiner

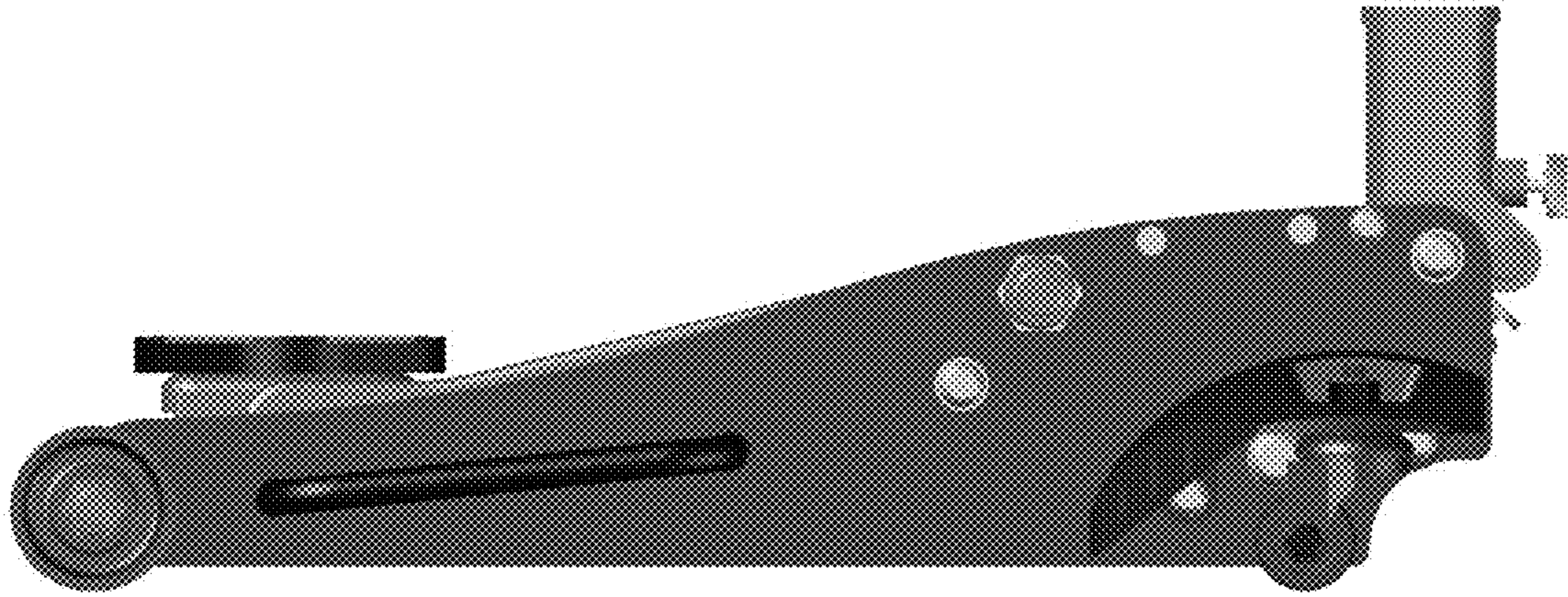


FIG.1

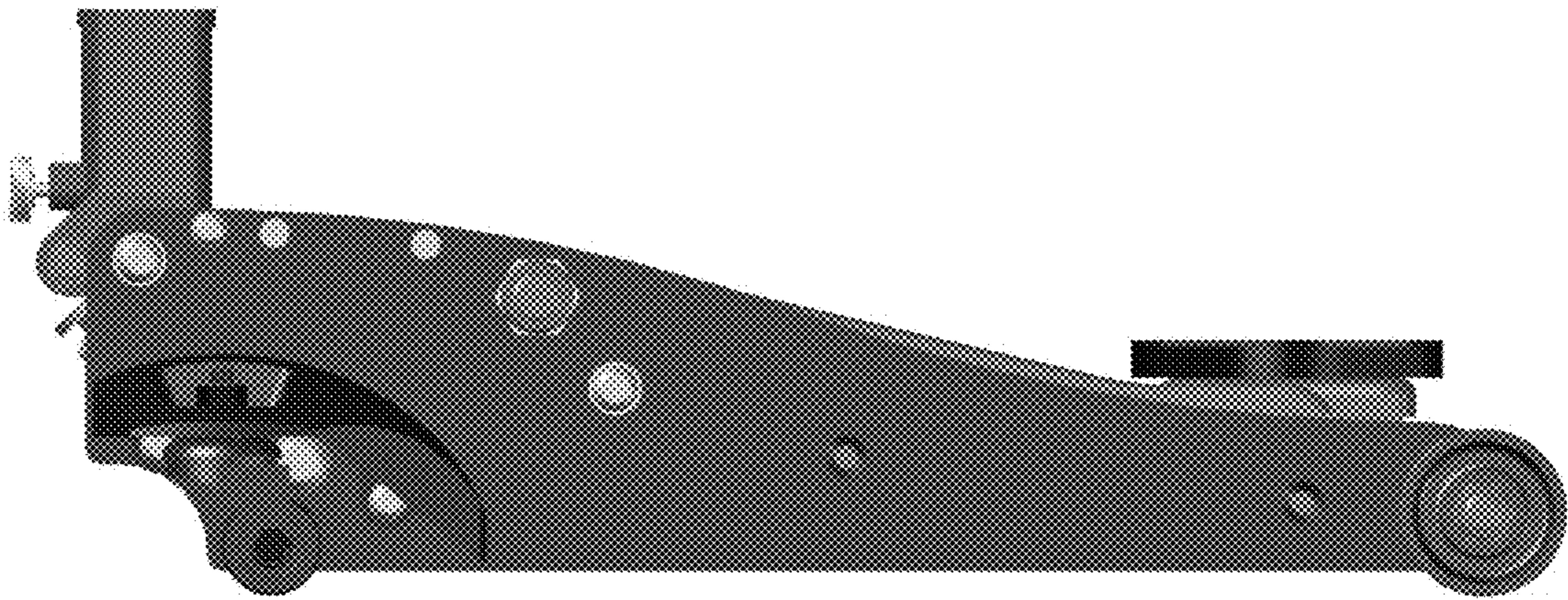


FIG.2

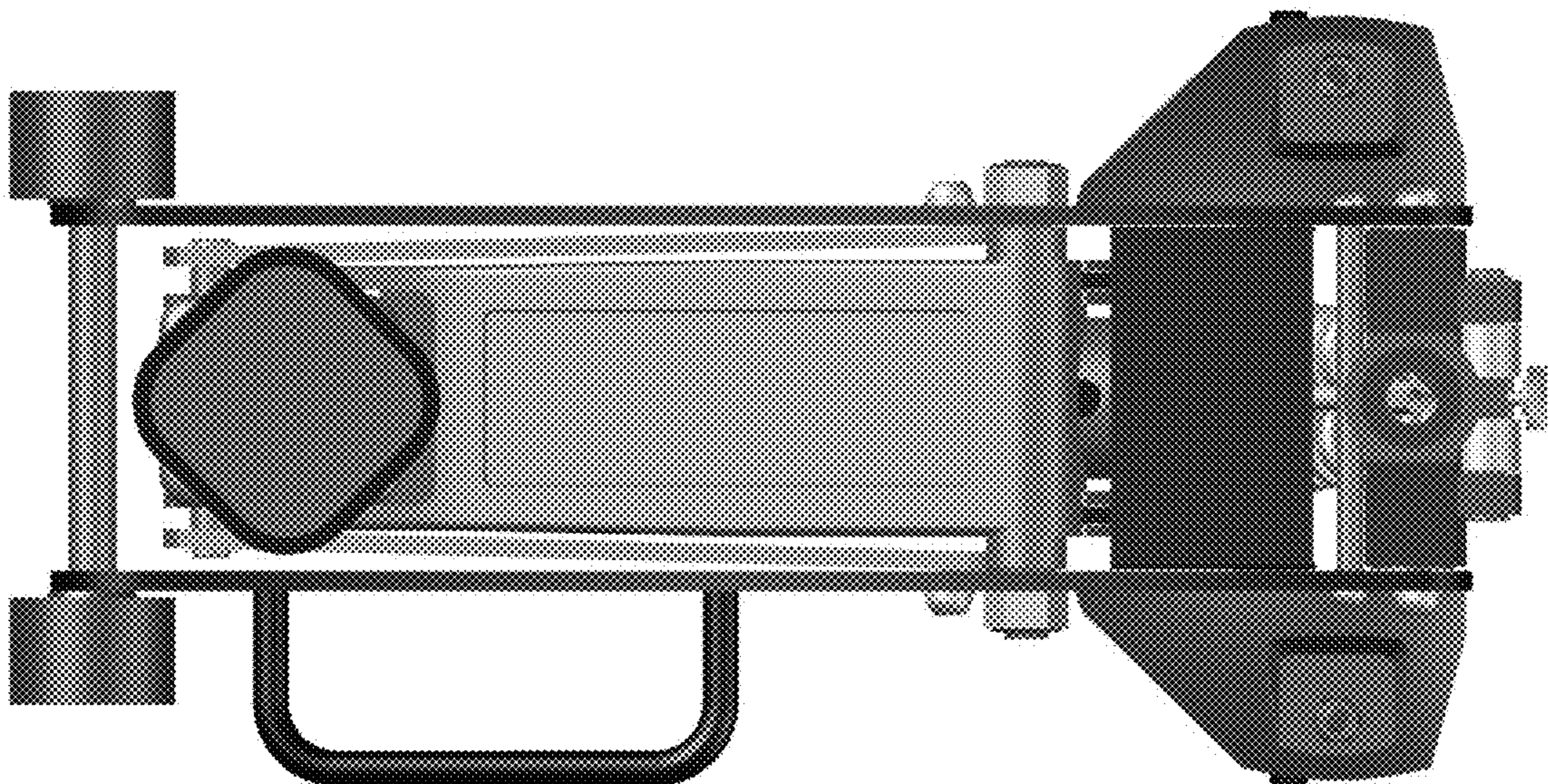


FIG.3

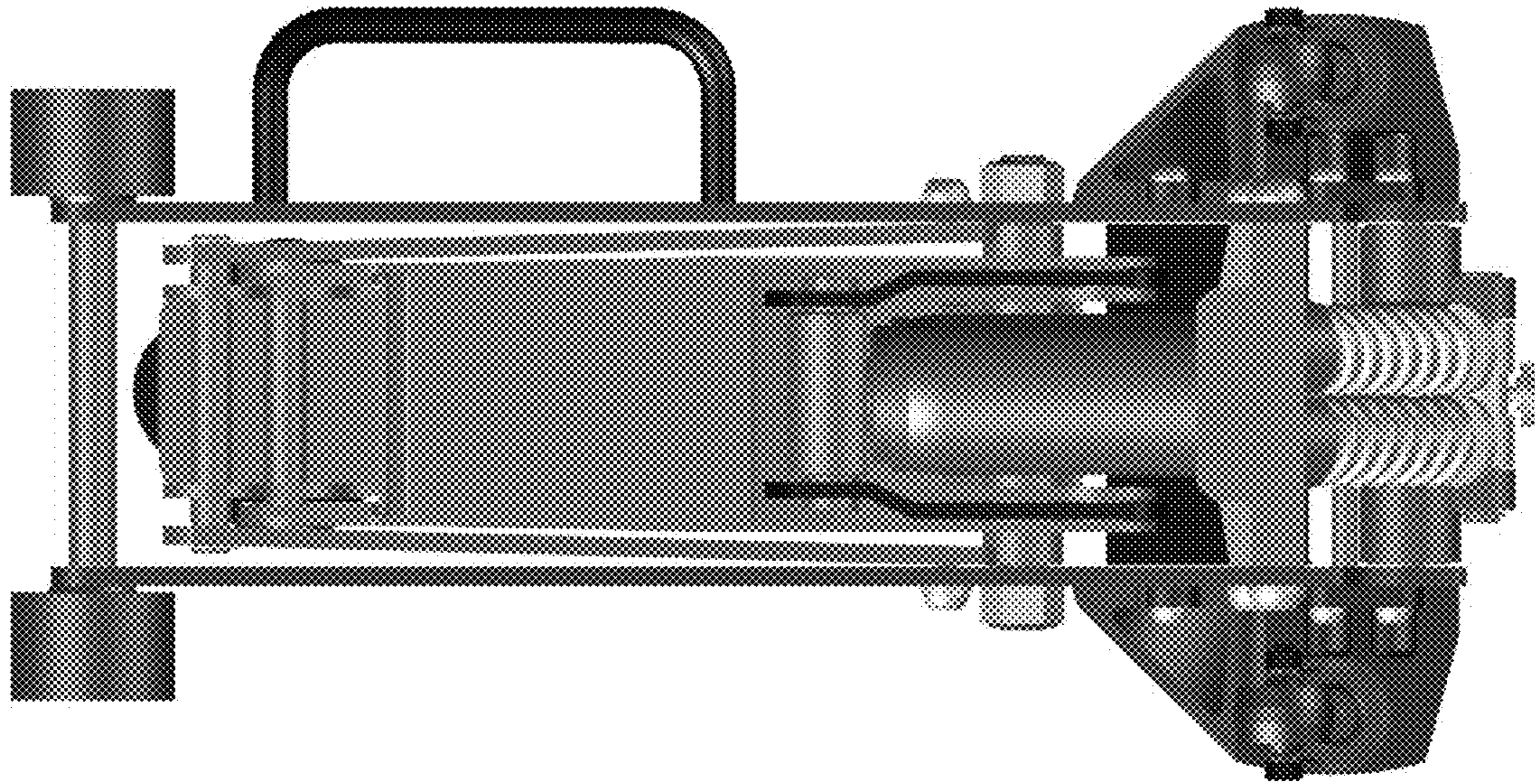


FIG.4

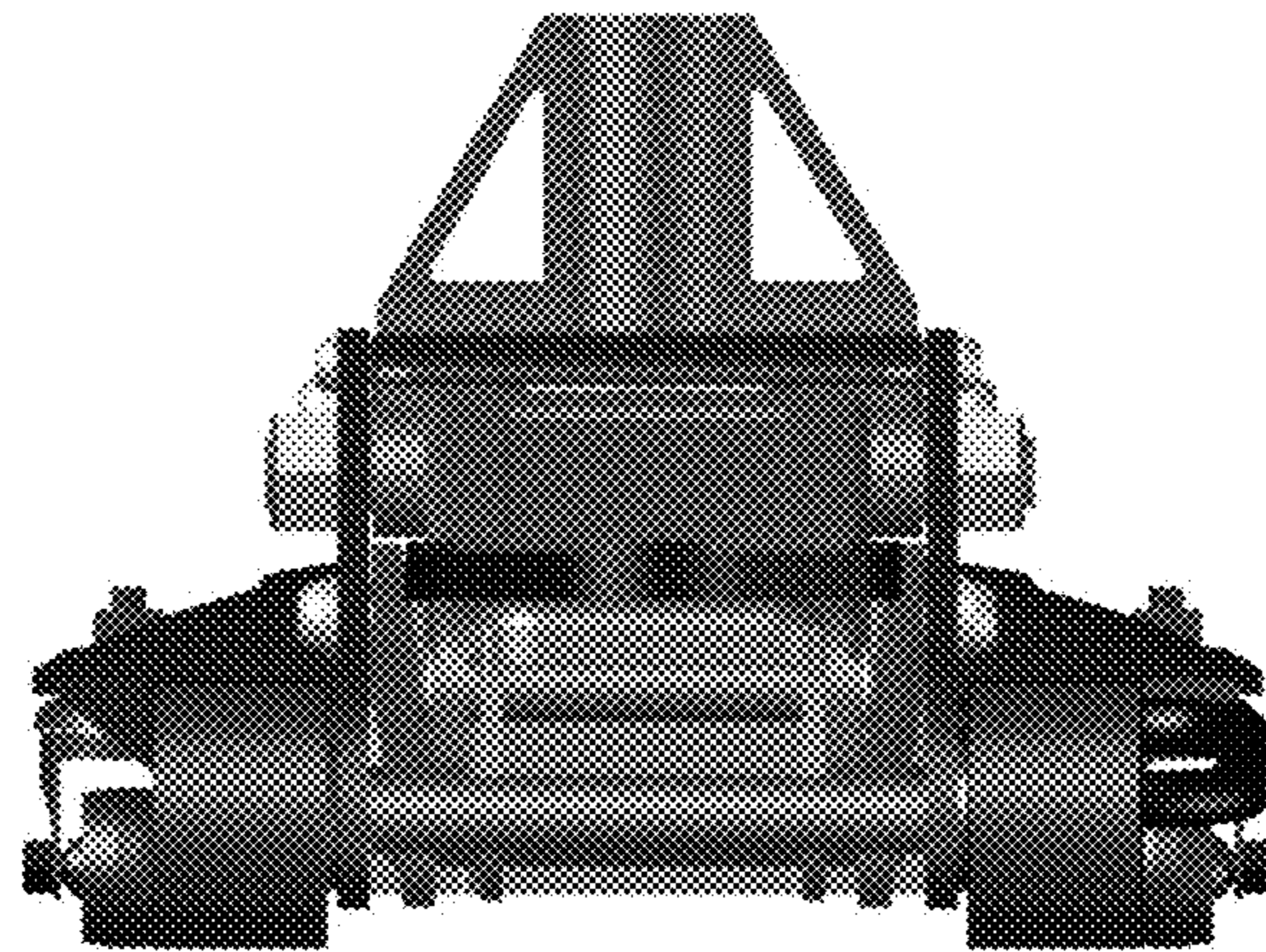


FIG.5

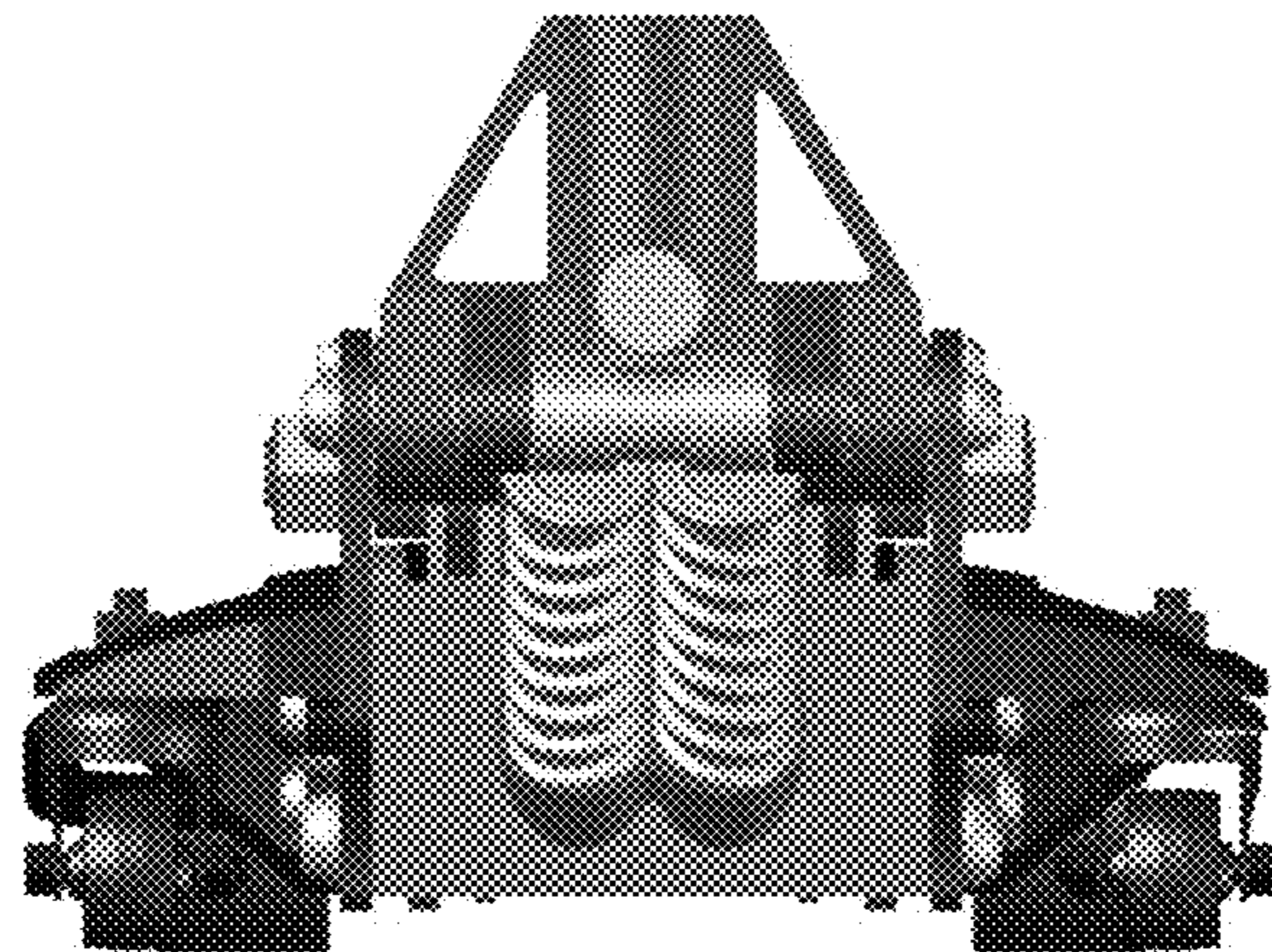


FIG.6

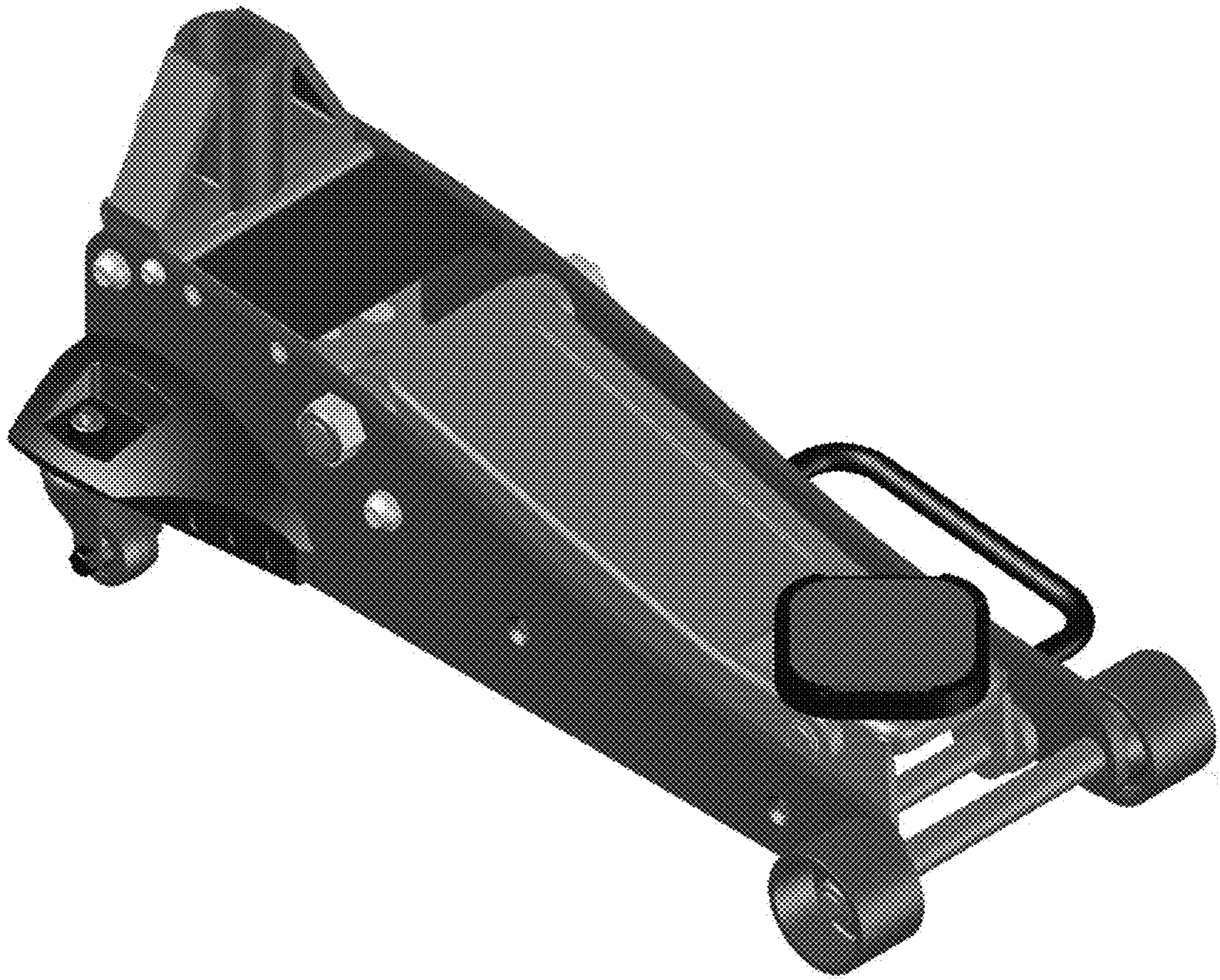


FIG.7

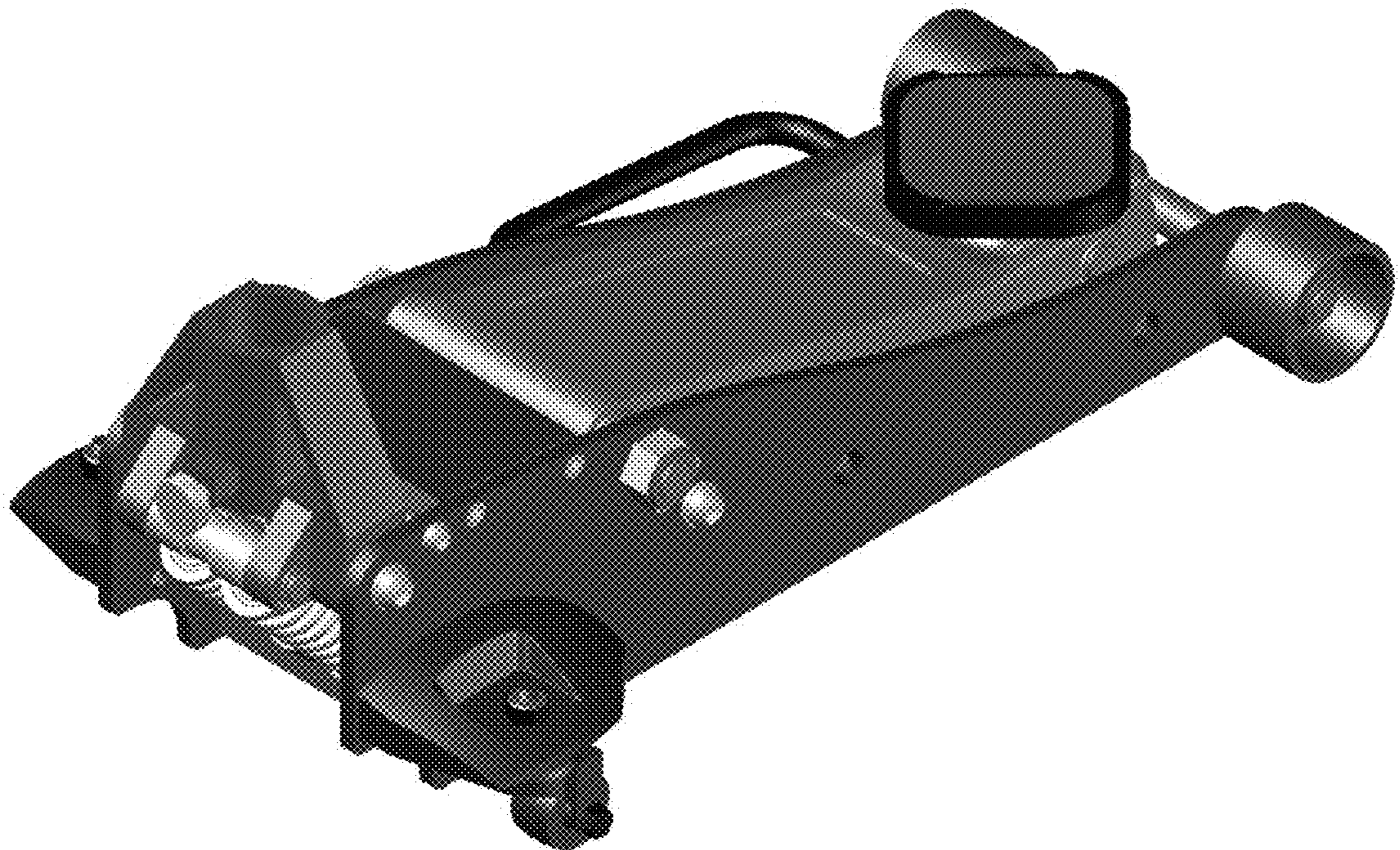


FIG.8

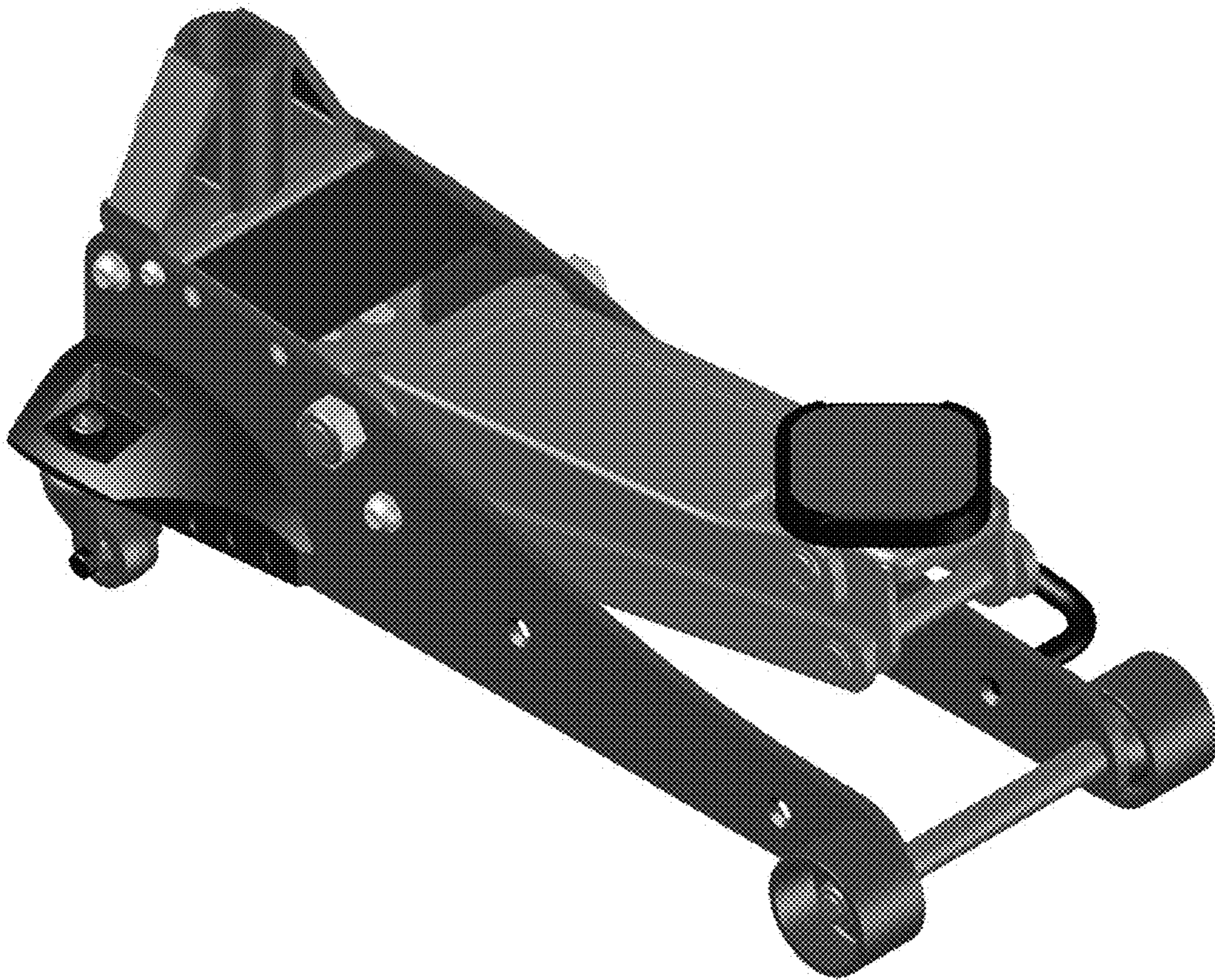


FIG.9

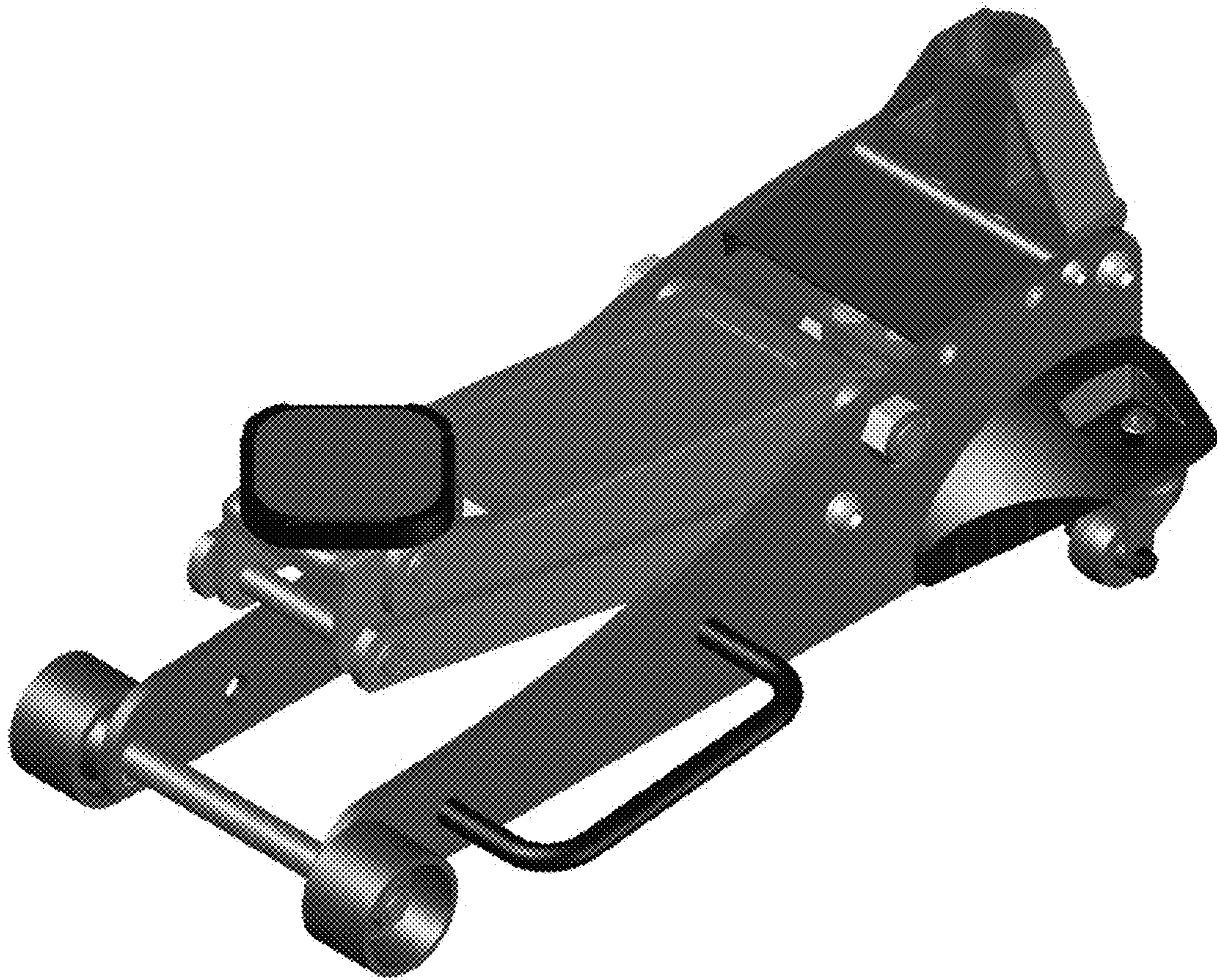


FIG.10

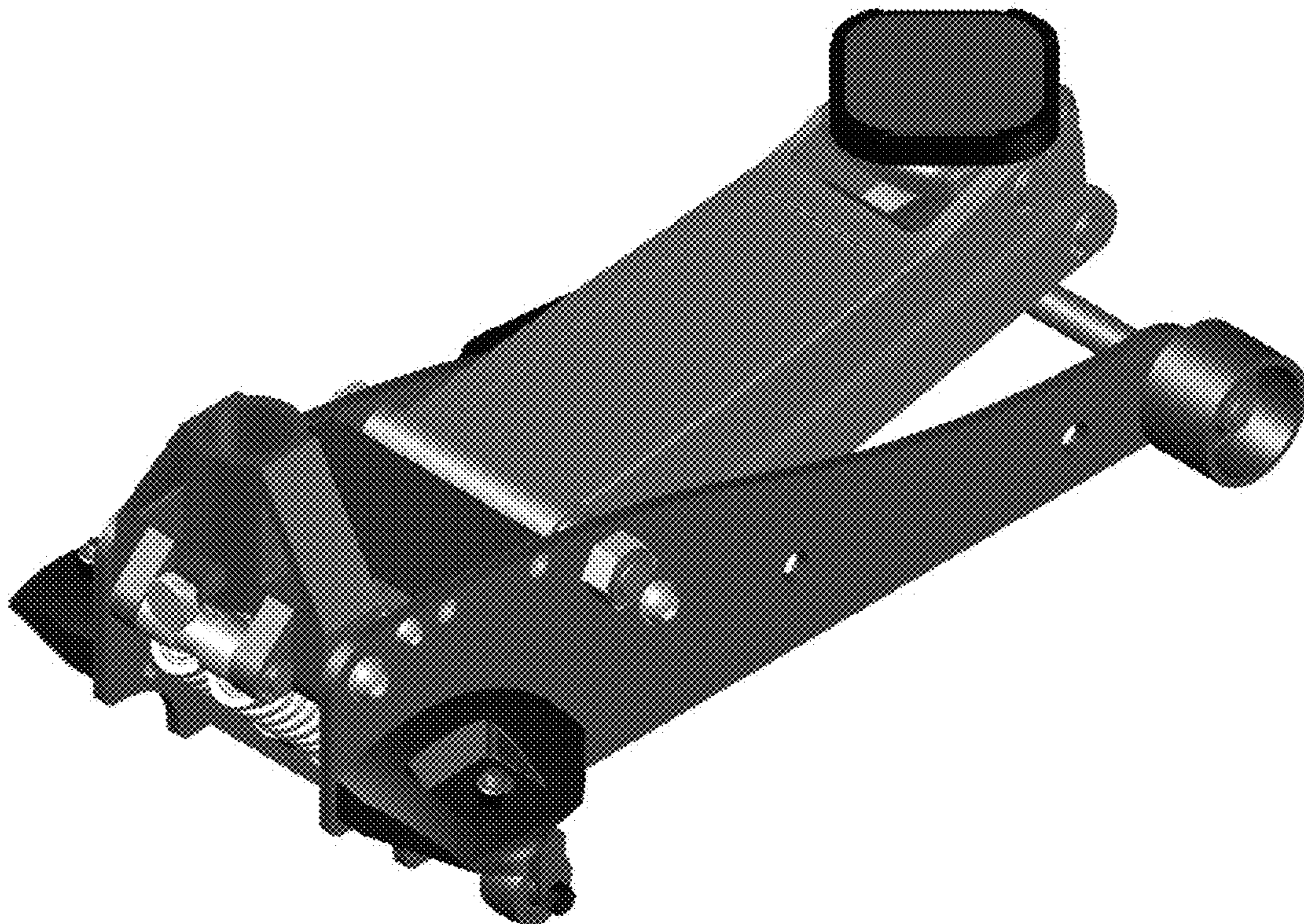


FIG.11