



US00D946231S

(12) **United States Design Patent**
Bolton

(10) **Patent No.:** **US D946,231 S**

(45) **Date of Patent:** **** Mar. 15, 2022**

- (54) **CREEPER FOR GROUND WORK**
- (71) Applicant: **Carl William Bolton**, Santa Barbara, CA (US)
- (72) Inventor: **Carl William Bolton**, Santa Barbara, CA (US)
- (**) Term: **15 Years**
- (21) Appl. No.: **29/786,558**
- (22) Filed: **Jun. 1, 2021**
- (51) **LOC (13) Cl.** **12-02**
- (52) **U.S. Cl.**
USPC **D34/23**
- (58) **Field of Classification Search**
USPC D34/23; D6/349, 708
CPC B25H 5/00; B60B 33/0018; B62B 3/02;
B62B 5/0093; A47B 7/00; A47C 1/14;
A47C 3/00; A47C 3/04; A47C 3/14;
A47C 3/16; A47C 3/18; A47C 3/20
See application file for complete search history.

- D575,024 S 8/2008 Mays
 - D579,679 S * 11/2008 Qian D6/349
 - 7,658,442 B1 2/2010 Whiteside
 - D618,467 S 6/2010 Hung
 - D625,526 S 10/2010 Liuhong
 - 7,878,513 B2 2/2011 Damouzehtash
 - D672,986 S 12/2012 Whiteside
 - D701,717 S 4/2014 Whiteside
 - 8,844,947 B1 * 9/2014 Whiteside B25H 5/00
280/32.6
 - D729,561 S 5/2015 Robins
 - D750,391 S * 3/2016 Lensing D6/349
- (Continued)

- (56) **References Cited**
- U.S. PATENT DOCUMENTS
- D237,872 S * 12/1975 Miller D34/18
- D327,352 S * 6/1992 Robinson D34/18
- 5,707,067 A 1/1998 Smith
- D399,626 S * 10/1998 Taylor D34/23
- D410,128 S * 5/1999 Dallas D34/23
- D426,793 S * 6/2000 Lundh D12/133
- 6,302,413 B1 10/2001 Comeaux
- D453,601 S 2/2002 Ji
- D463,143 S * 9/2002 Riddle D6/336
- 6,578,859 B2 6/2003 Chen
- D522,261 S 6/2006 Whiteside
- 7,070,241 B2 7/2006 Saulnier
- 7,086,702 B1 * 8/2006 Hurt A47C 7/503
280/32.5
- D530,108 S * 10/2006 Whiteside D6/349
- D555,920 S * 11/2007 Whiteside D6/349

OTHER PUBLICATIONS

Rockler, "Portable Drill Guide Instructions" <http://go.rockler.com/tech/52885-Portable-Drill-Guide-Inst.pdf> (last visited Sep. 21, 2021).

Primary Examiner — Cynthia Ramirez
(74) *Attorney, Agent, or Firm* — Eric Kelly

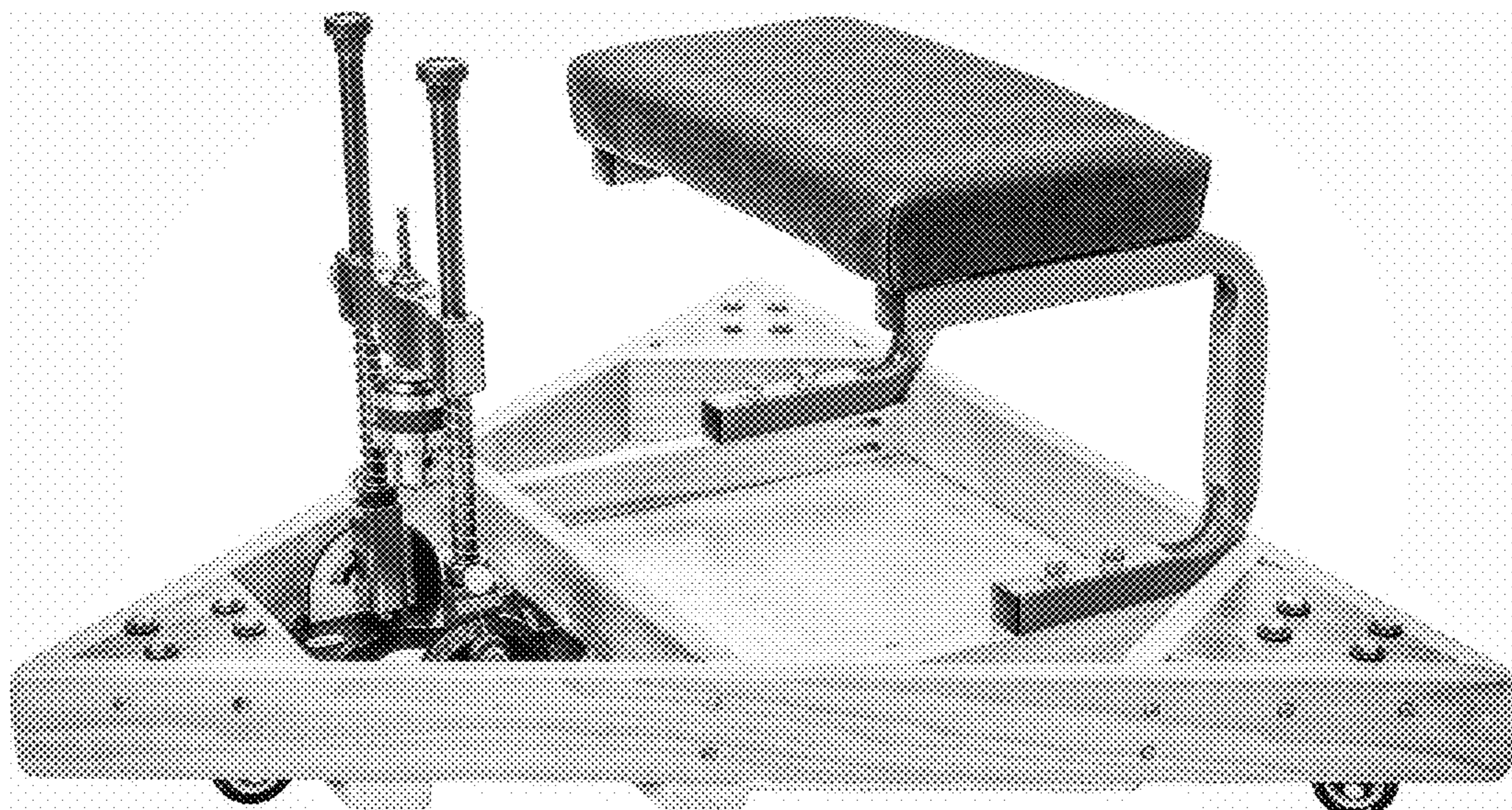
(57) **CLAIM**

What is claimed is the ornamental design for a creeper for ground work, as shown and described.

DESCRIPTION

FIG. 1 is a top left perspective view of a creeper for ground work showing my new design;
FIG. 2 is a front view thereof;
FIG. 3 is a rear view thereof;
FIG. 4 is a top view thereof;
FIG. 5 is a bottom view thereof;
FIG. 6 is right-side view thereof;
FIG. 7 is a left-side view thereof;
FIG. 8 is a top front perspective view thereof;
FIG. 9 is a top right perspective view thereof; and,
FIG. 10 is an enlarged left side perspective partial view of a portion of the creeper for ground work of FIG. 1.

1 Claim, 10 Drawing Sheets



(56)

References Cited

U.S. PATENT DOCUMENTS

9,687,080	B1	6/2017	Thiel	
9,701,010	B2	7/2017	Manjarres	
D803,593	S	11/2017	Delk	
D808,673	S *	1/2018	Brewer D6/349
D815,442	S	4/2018	Harmon	
10,022,858	B2	7/2018	Huang	
D843,675	S	3/2019	Shrock	
D862,824	S *	10/2019	Hein D34/23
D878,066	S *	3/2020	Lensing D6/349
D884,372	S	5/2020	Thiel	
D894,513	S *	8/2020	Sterns D34/12

* cited by examiner

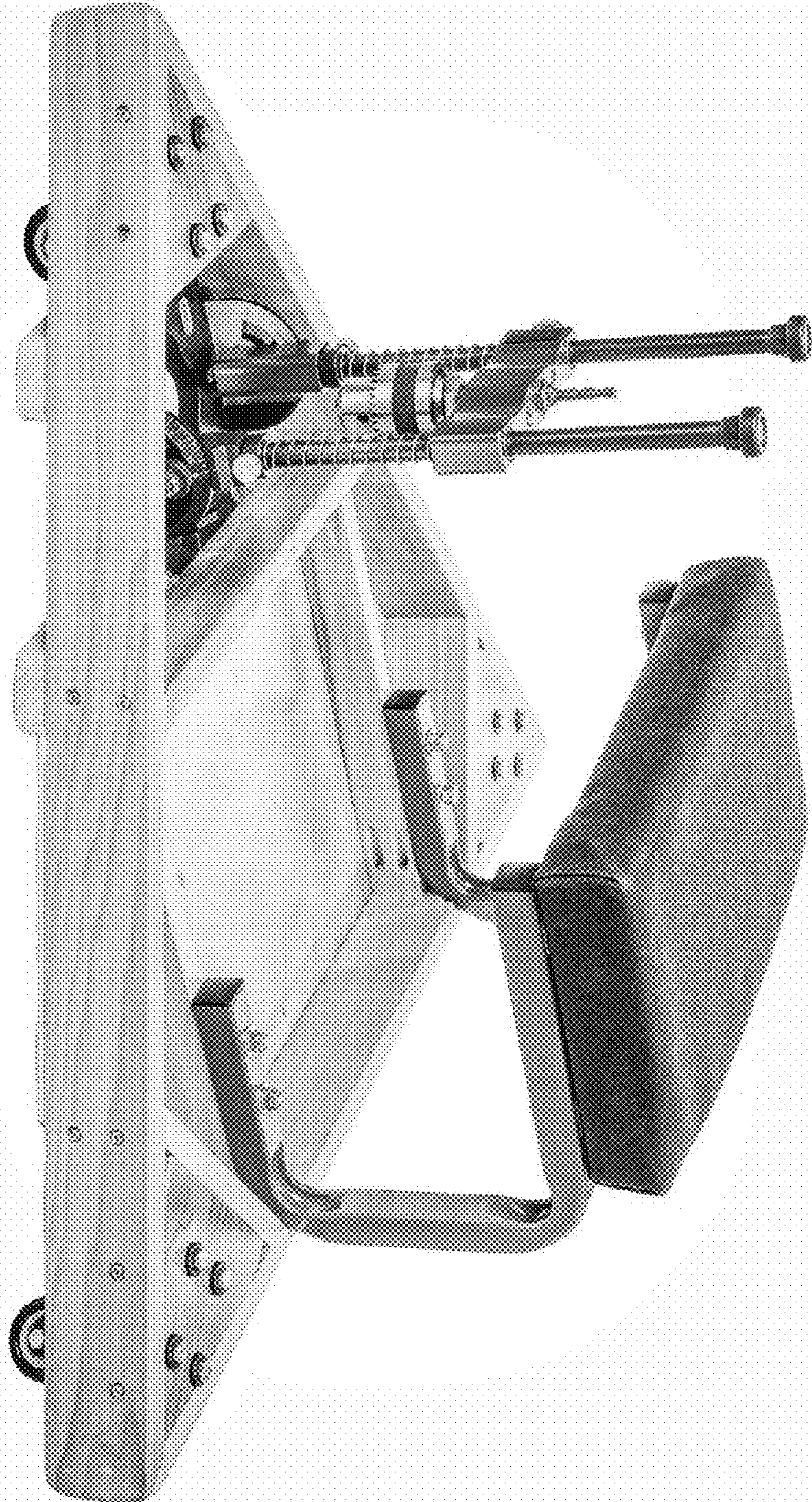


FIG. 1

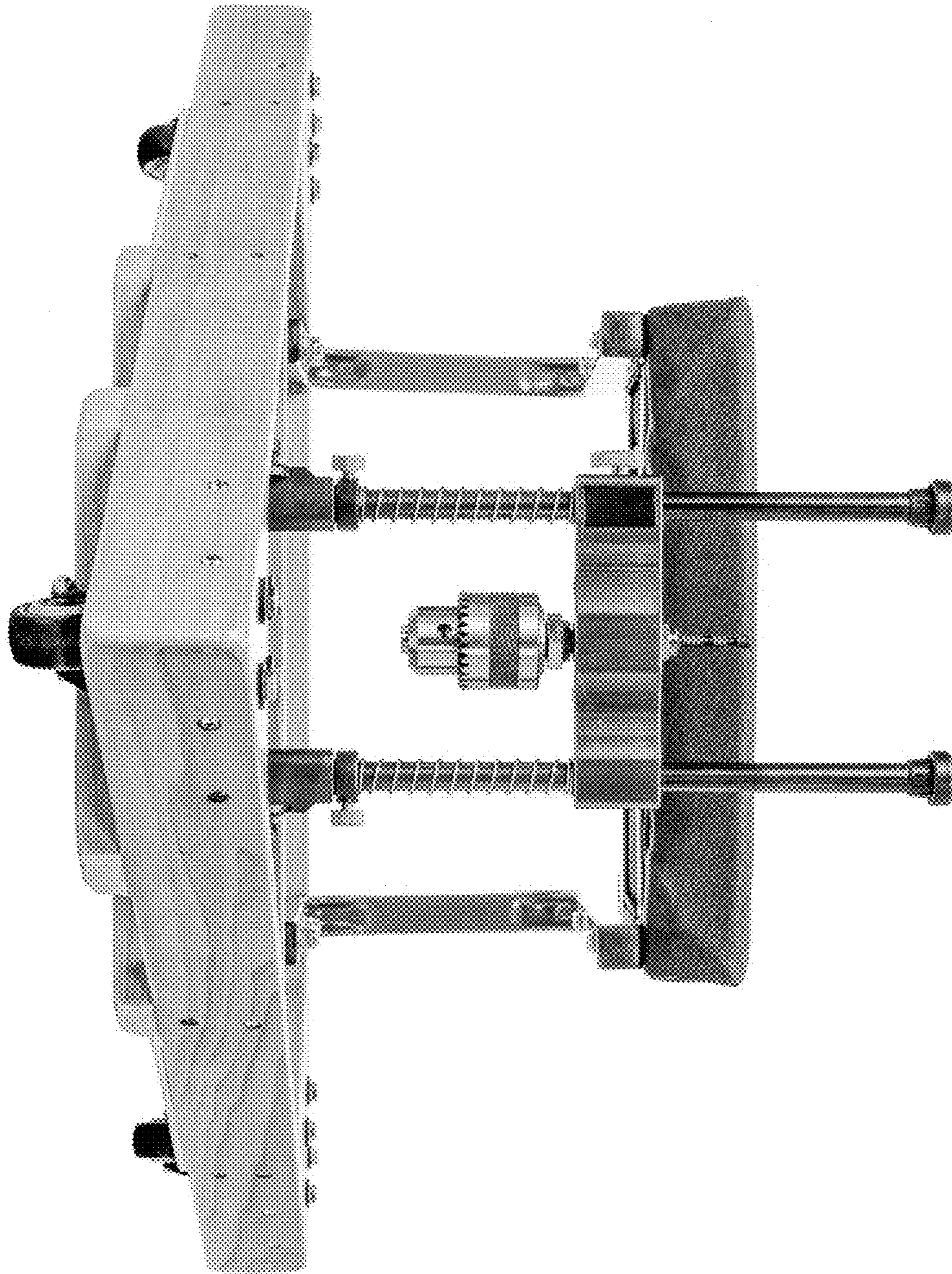


FIG. 2

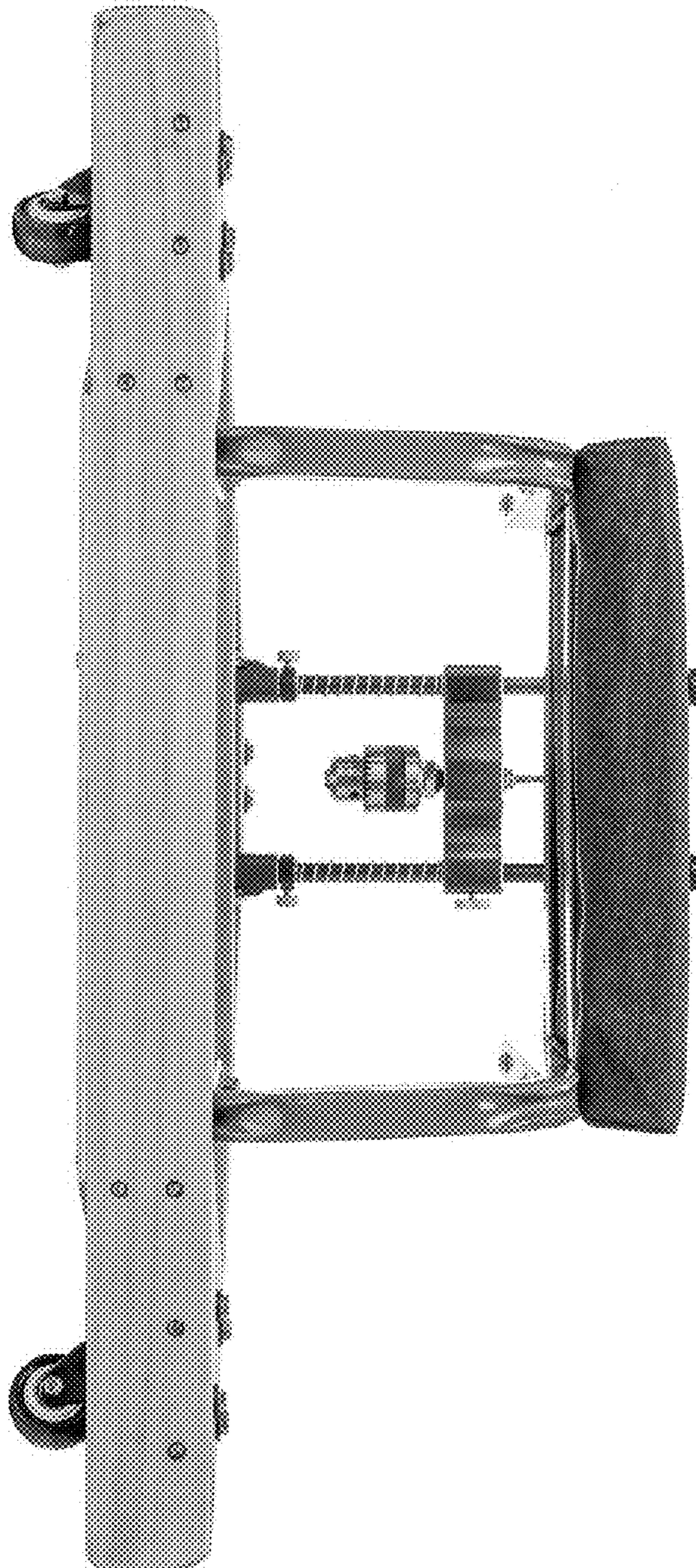


FIG. 3

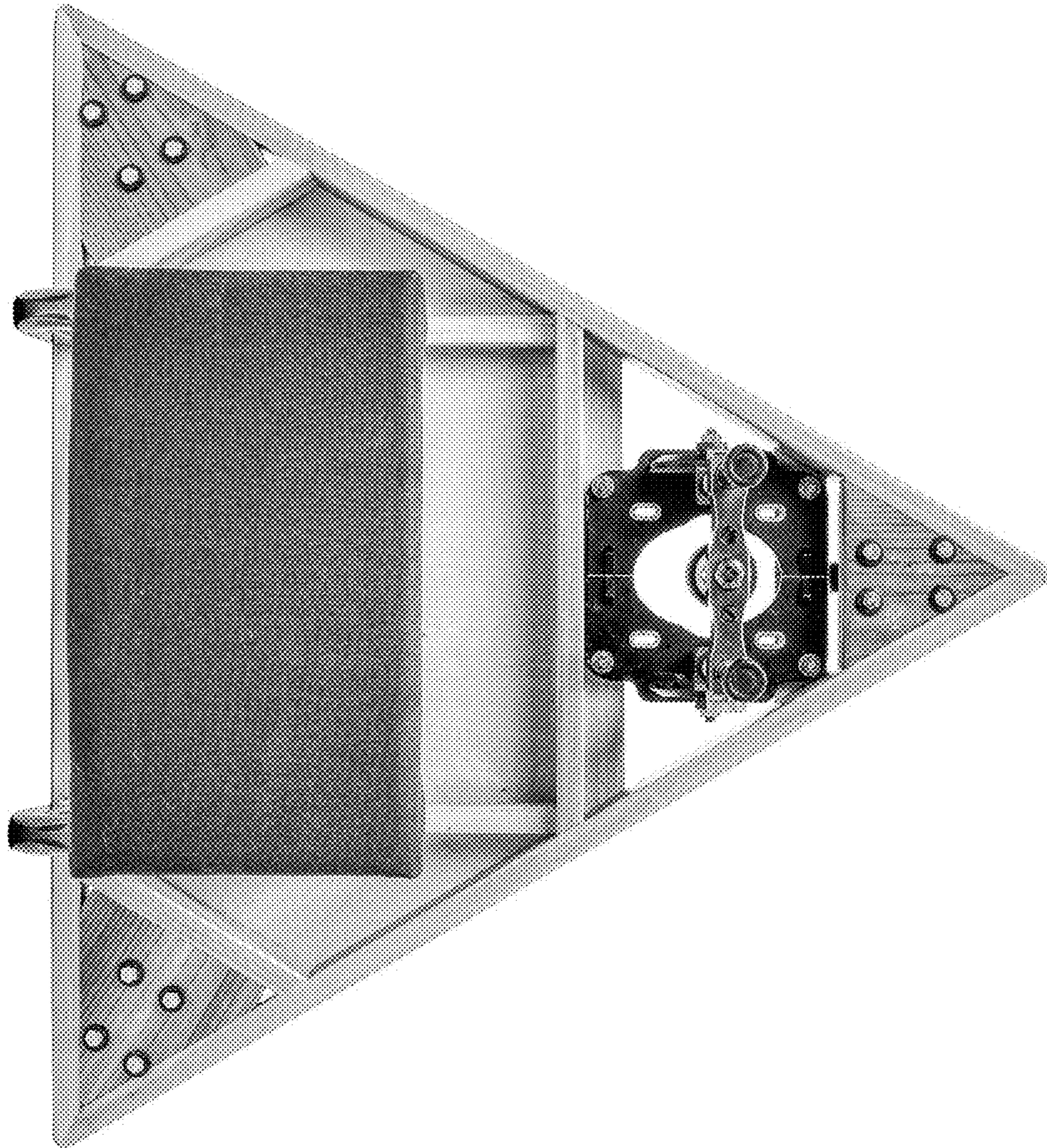


FIG. 4

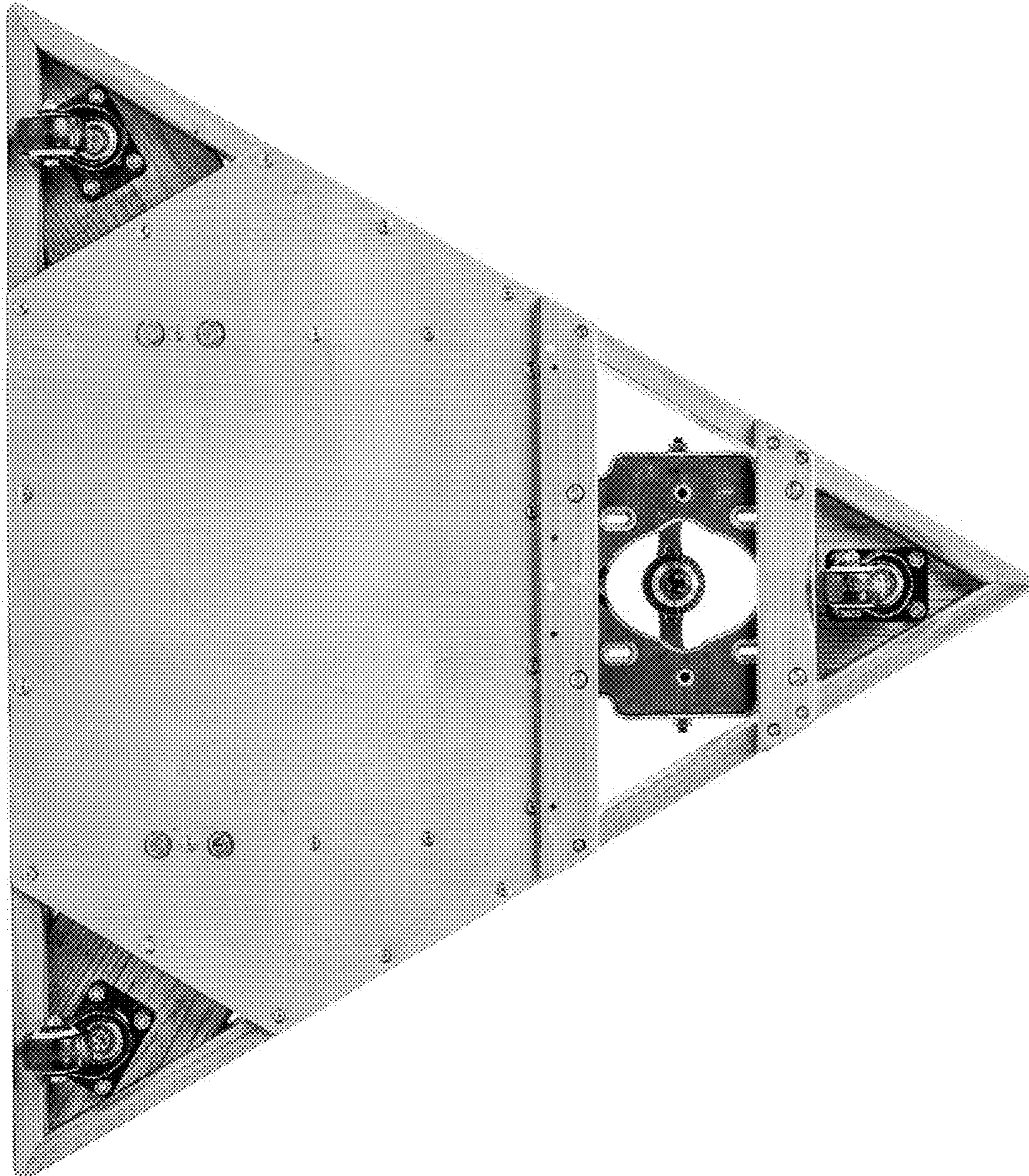


FIG. 5

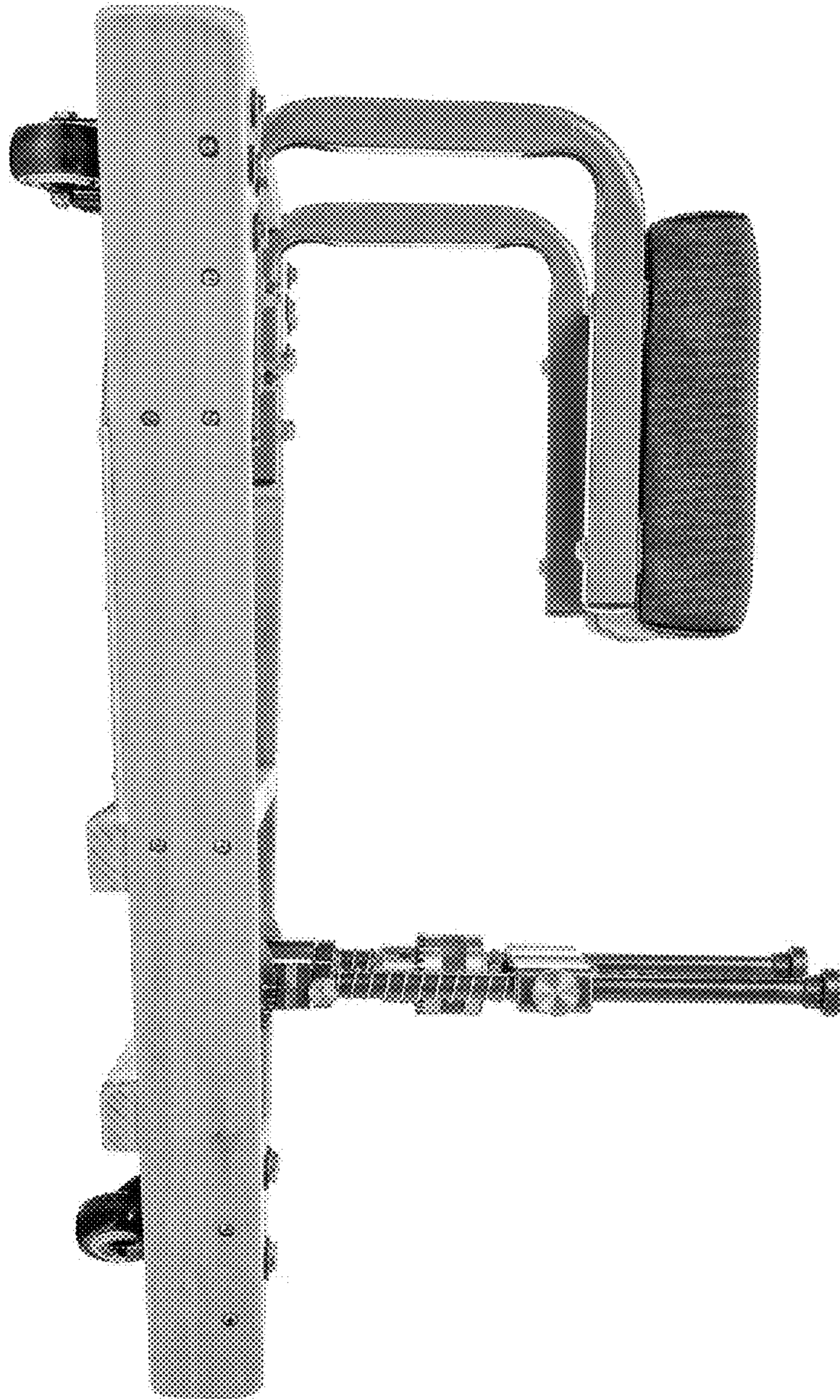


FIG. 6

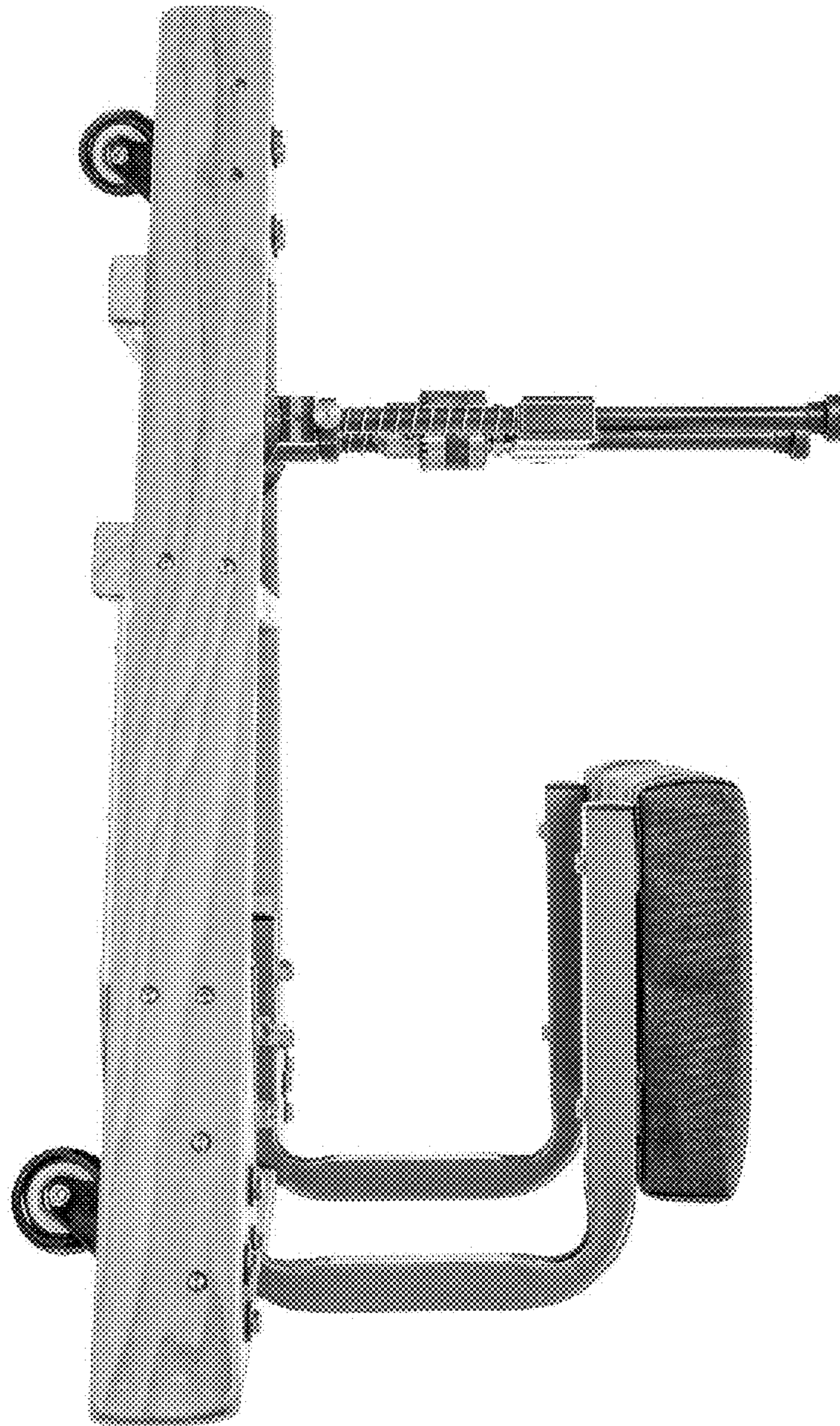


FIG. 7

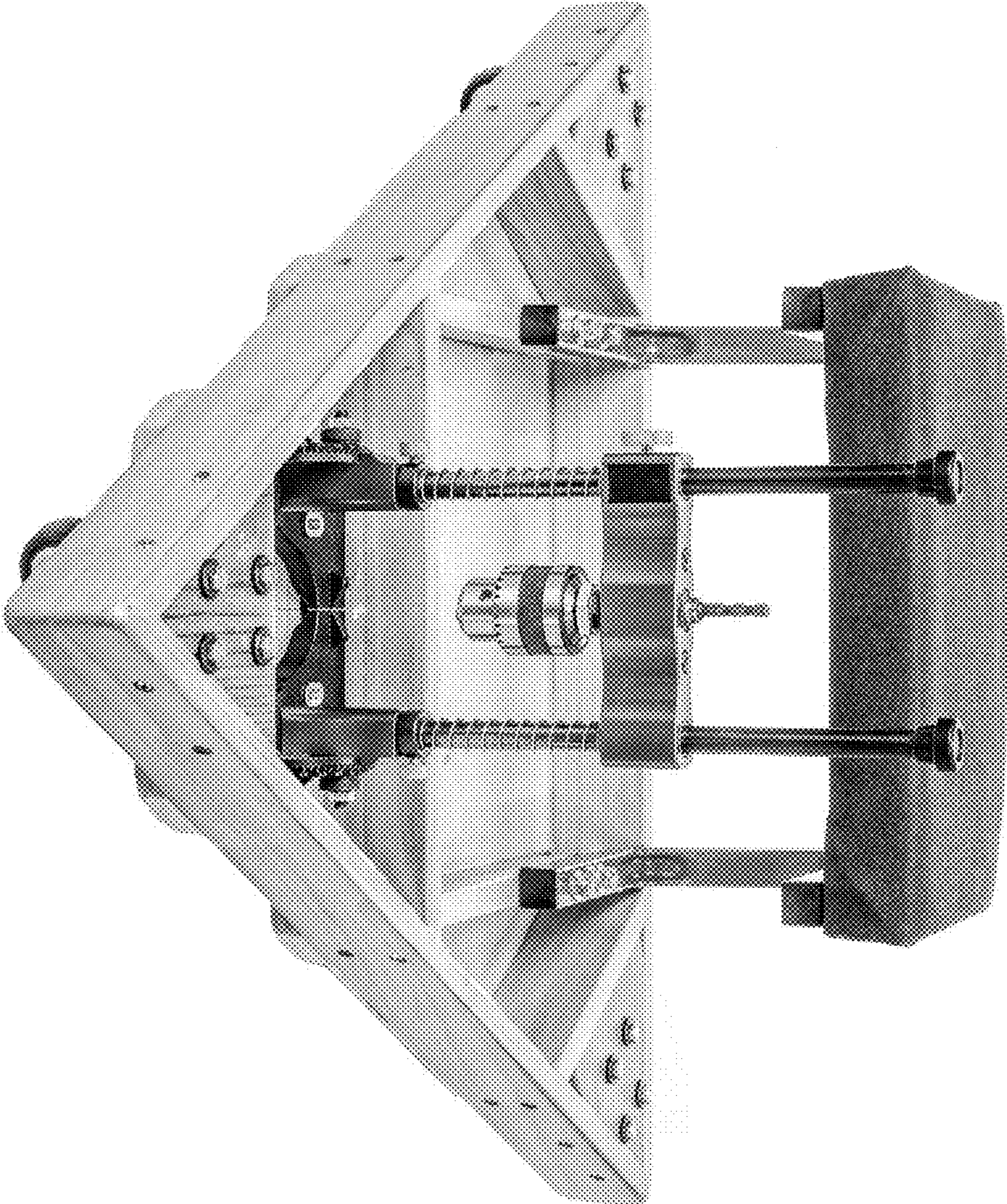


FIG. 8

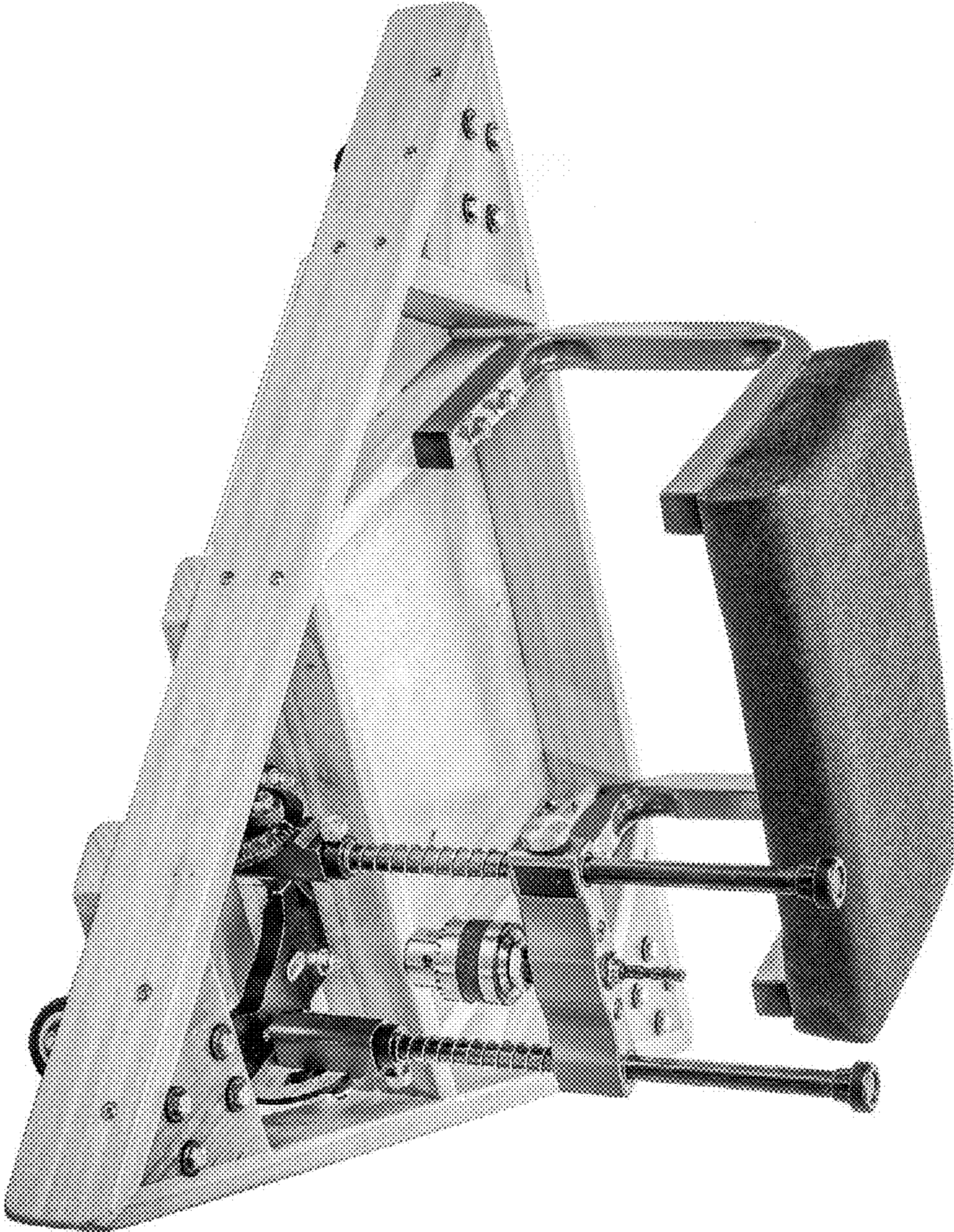


FIG. 9

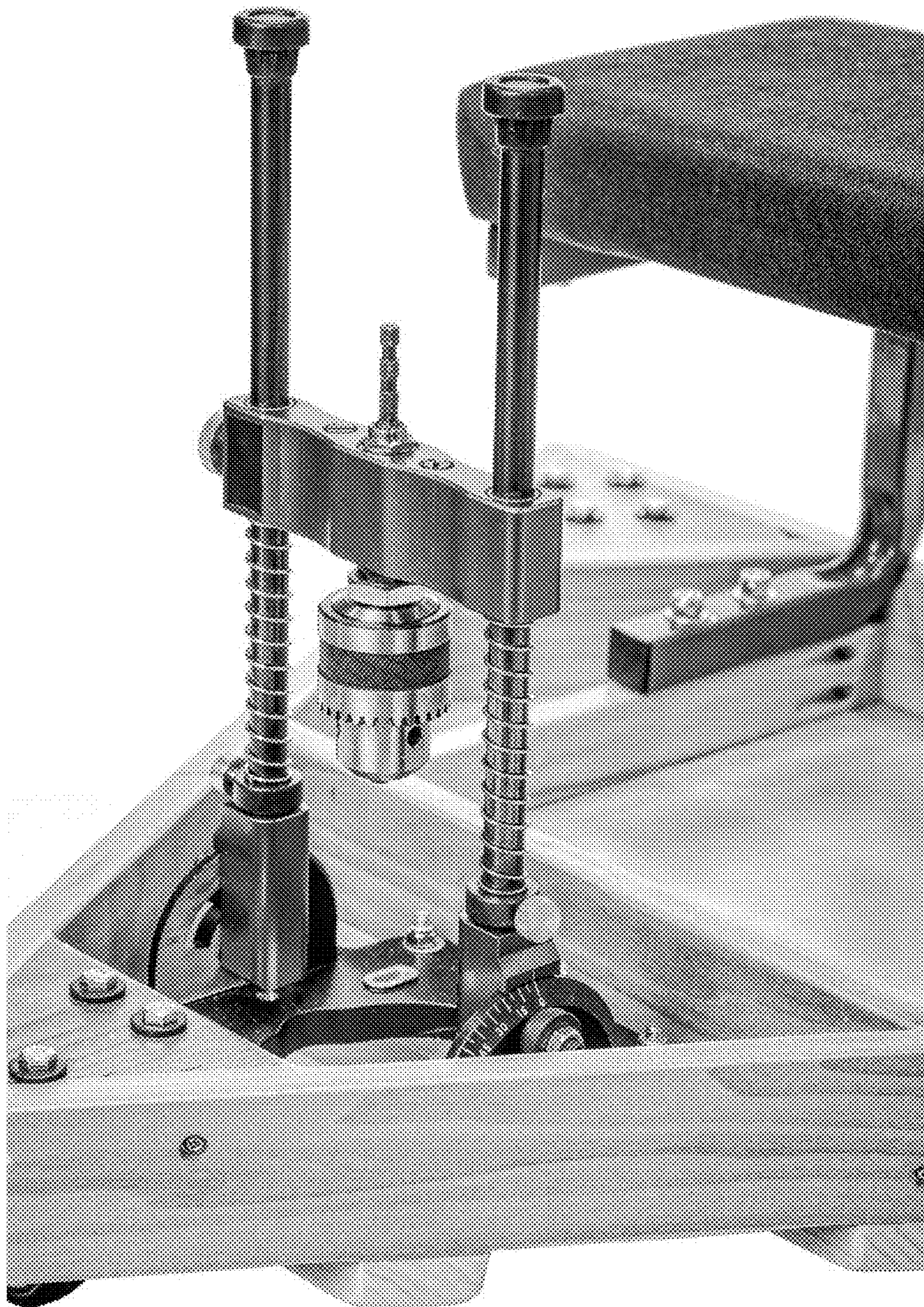


FIG. 10